



US00D361148S

United States Patent [19] Wedell

[11] Patent Number: **Des. 361,148**
[45] Date of Patent: **** Aug. 8, 1995**

[54] QUARTZ HALOGEN FLOOD LIGHT

[75] Inventor: **Mark T. Wedell**, Germantown, Tenn.

[73] Assignee: **Thomas & Betts Corporation**,
Memphis, Tenn.

[**] Term: **14 Years**

[21] Appl. No.: **26,257**

[22] Filed: **Jul. 22, 1994**

[52] U.S. Cl. **D26/63**

[58] Field of Search **D26/61, 63, 65;**
362/269, 275, 285, 282, 418, 419, 427, 421

[56] **References Cited**

U.S. PATENT DOCUMENTS

2,962,583	11/1960	Balser	D26/63 X
3,560,728	2/1971	Atkin	240/3
3,571,587	3/1971	Hilzen	240/11.4
3,725,714	4/1973	Anderson	313/110
4,574,337	3/1986	Poppenheimer	362/267
4,608,512	8/1986	Rakitsch	313/113
4,658,179	4/1987	Roberts	313/113
4,683,523	7/1987	Olsson et al.	362/267
4,755,711	7/1988	Fields et al.	313/111
4,785,383	11/1988	Tarnay	362/226
4,870,318	9/1989	Csanyi et al.	313/113
4,935,660	6/1990	Heider et al.	313/25
4,996,635	2/1991	Olsson et al.	362/267

FOREIGN PATENT DOCUMENTS

1400179 4/1965 France 362/419

OTHER PUBLICATIONS

Grainger's Wholesale Netprice Motorbook #337, Winter 1973-74, p. 296, photoelectric floodlights. Electripak Security Lite Box, 1991.

Primary Examiner—Susan J. Lucas

Attorney, Agent, or Firm—Robert M. Rodrick; Thomas & Betts Corp.

[57] **CLAIM**

The ornamental design for an quartz halogen flood light, as shown and described.

DESCRIPTION

FIG. 1 is a top perspective view of the quartz halogen flood light of the subject invention; FIG. 2 is a front elevation view of the light of FIG. 1; FIG. 3 is a top plan view of the light of FIG. 2; FIG. 4 is a bottom plan view of the light of FIG. 2; FIG. 5 is a left side elevation view of the light of FIG. 2; and, FIG. 6 is a right side elevation view of the light of FIG. 2. The broken lines are shown for illustrative purposes only and form no part of the claimed design.

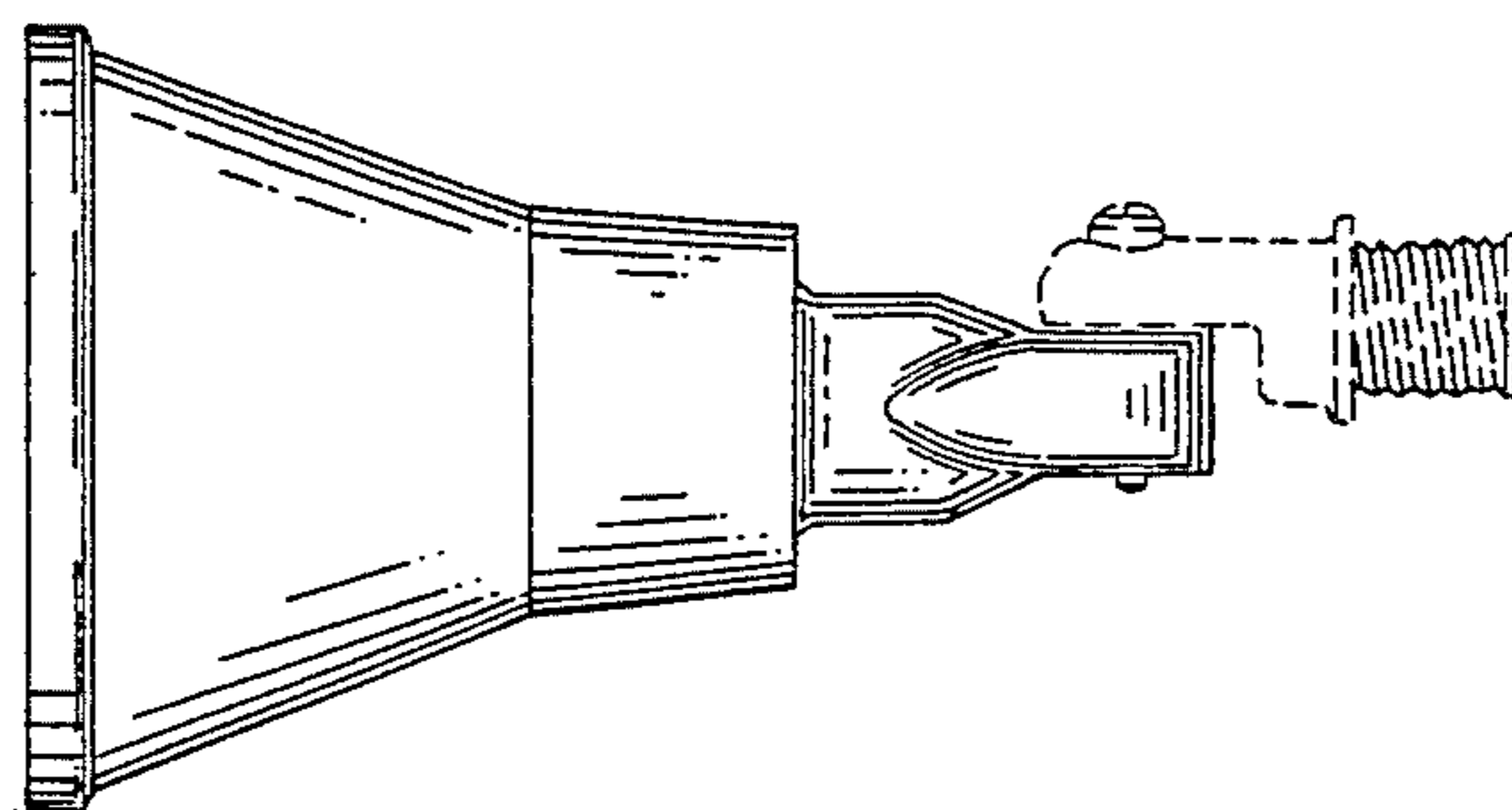
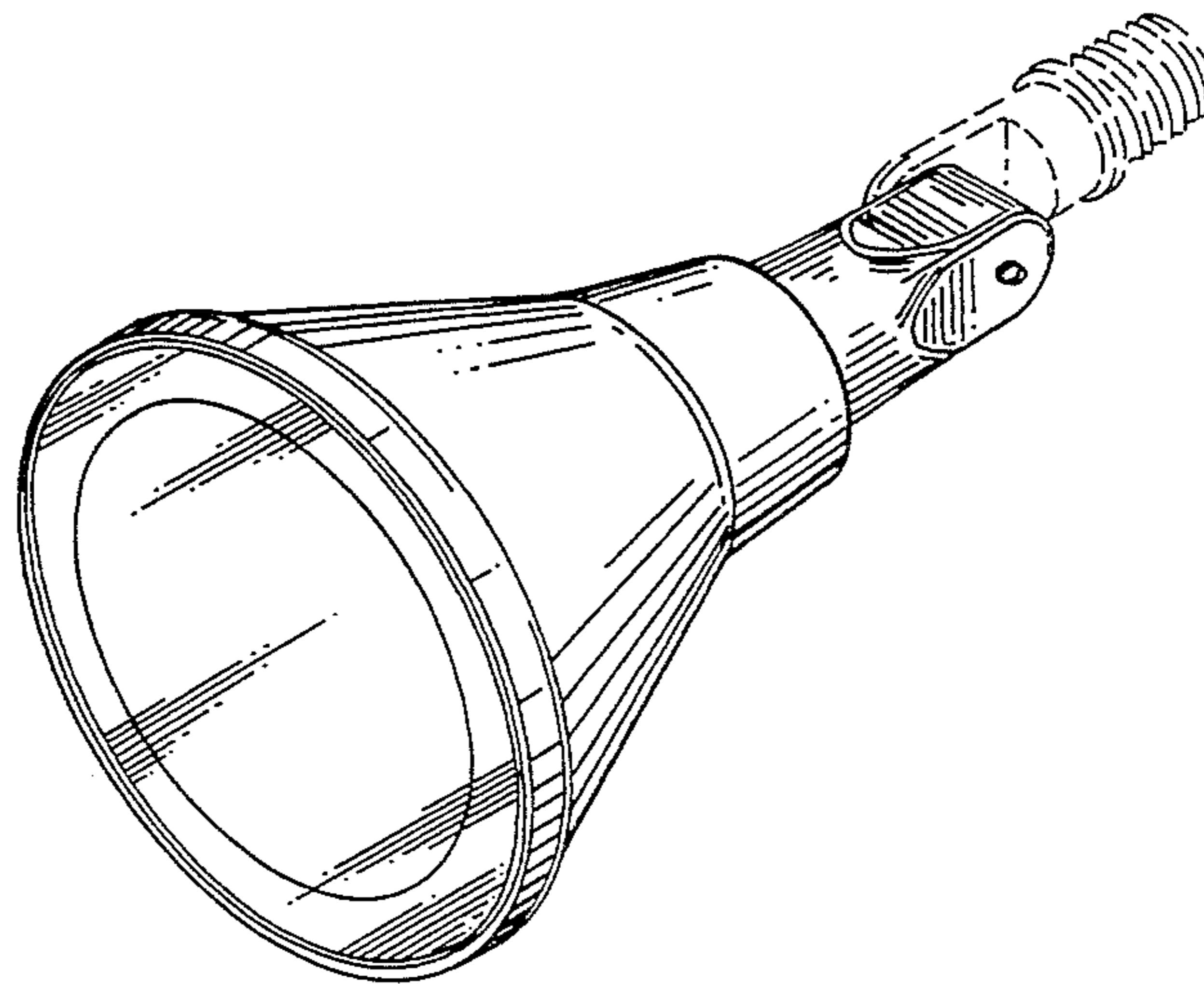


FIG. 1

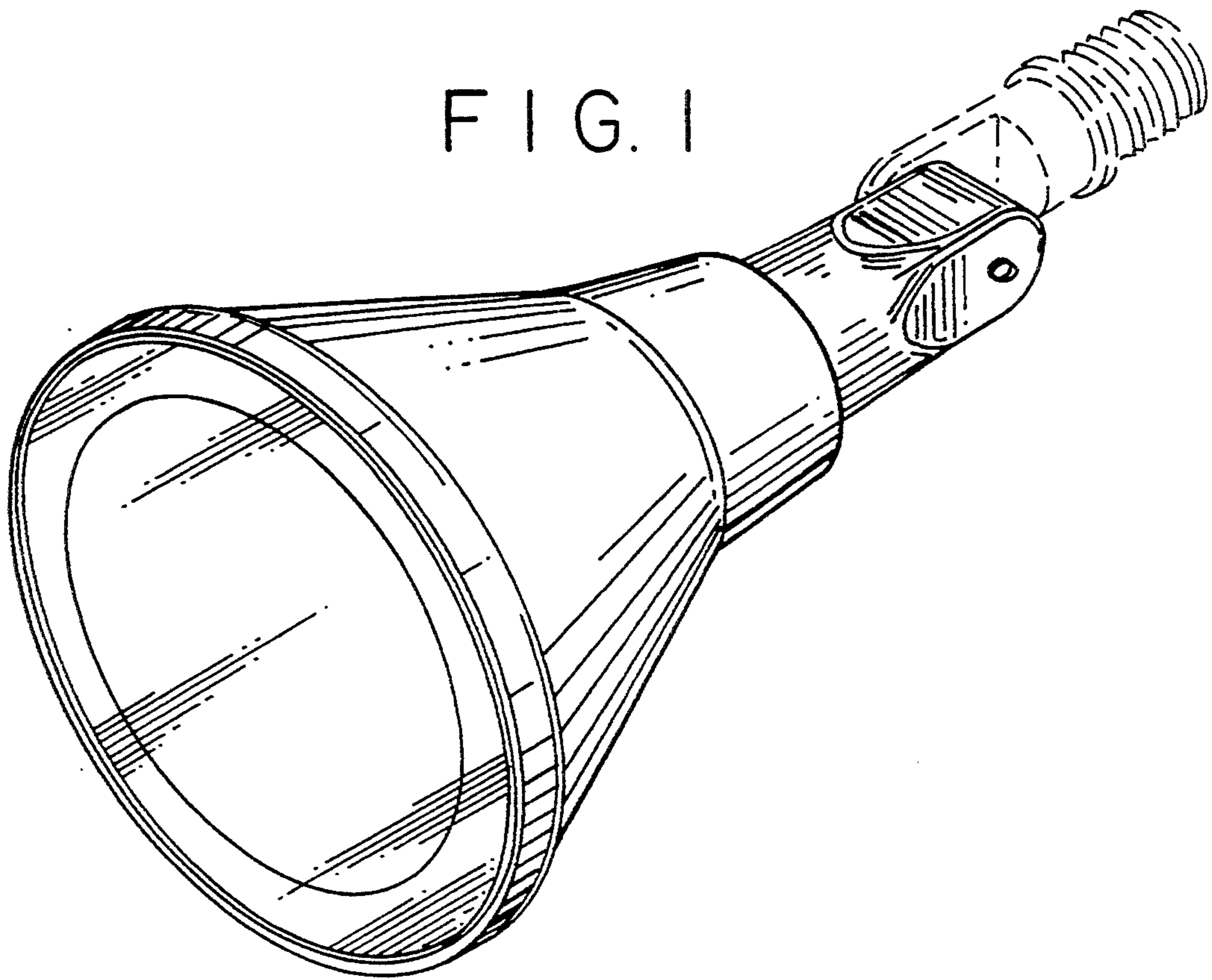


FIG. 2

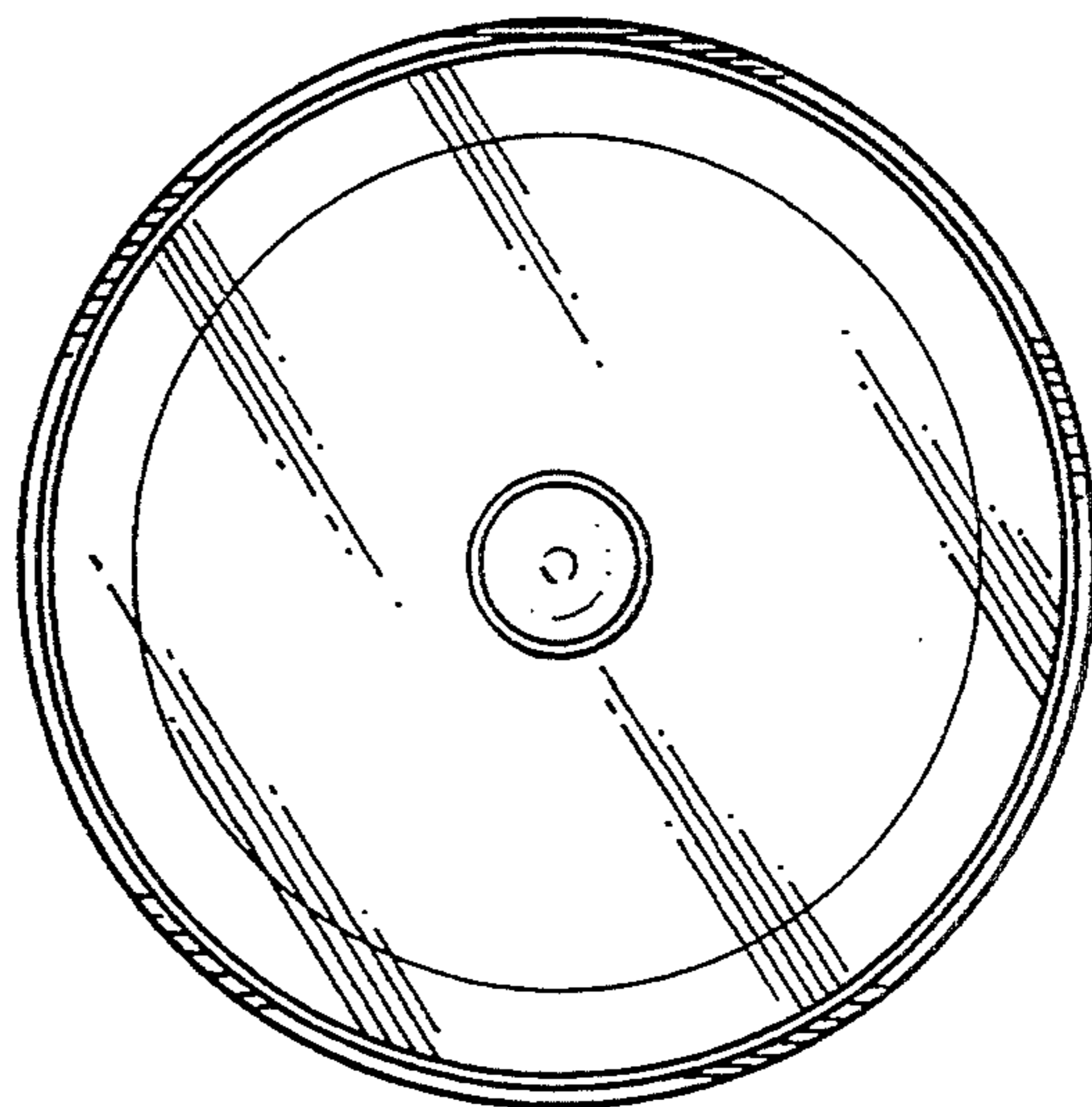


FIG. 3

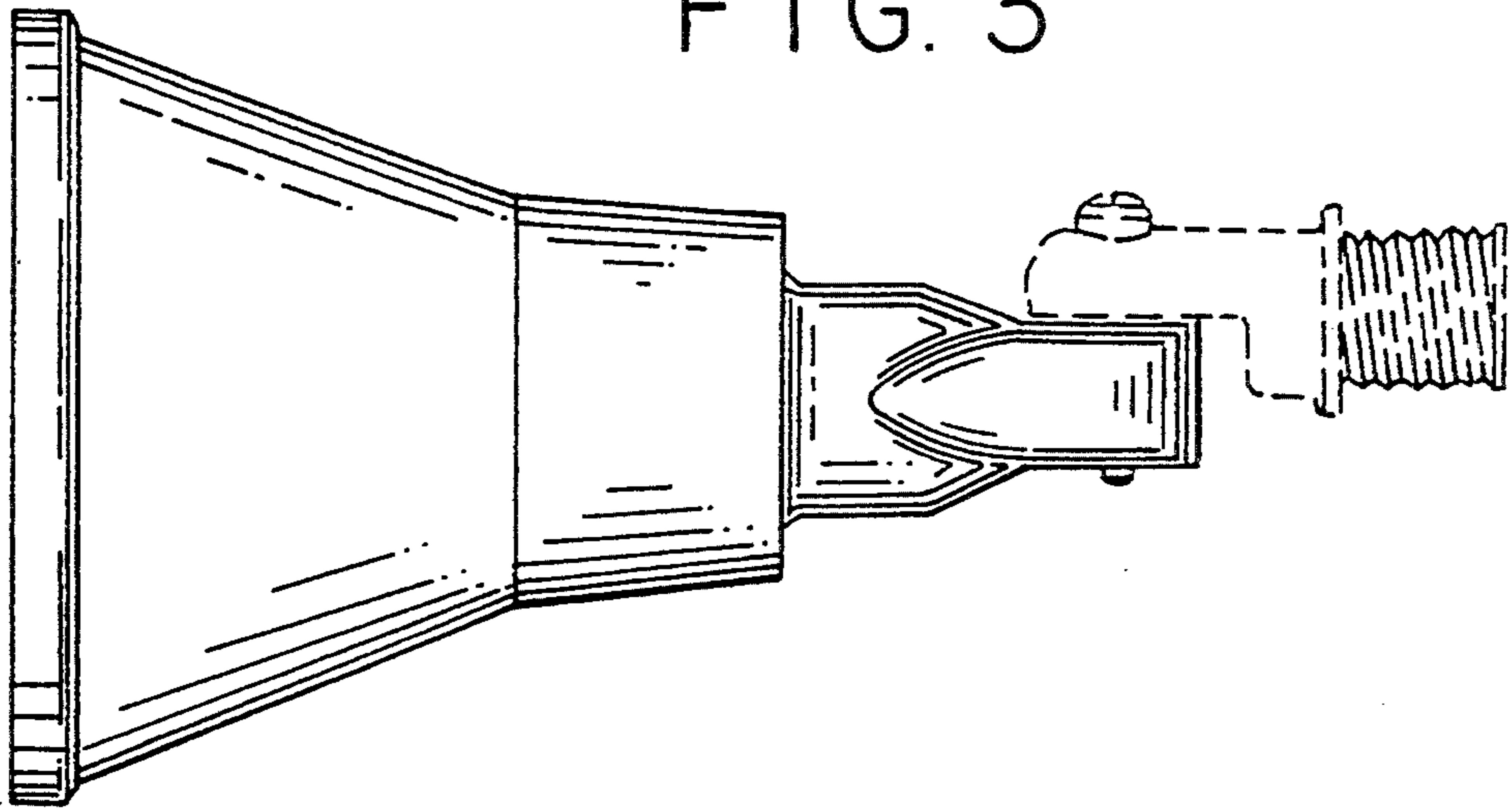


FIG. 4

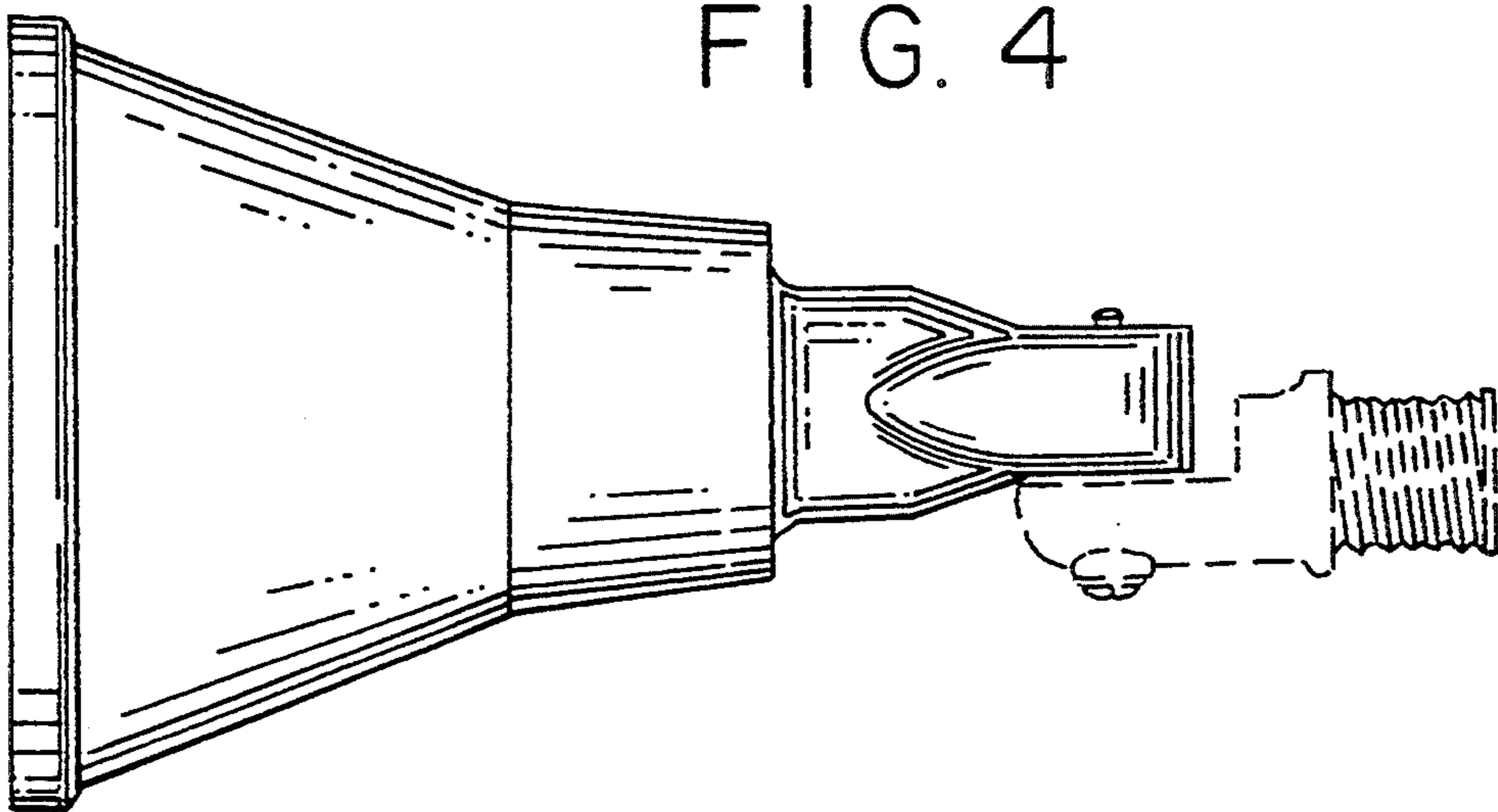


FIG. 5

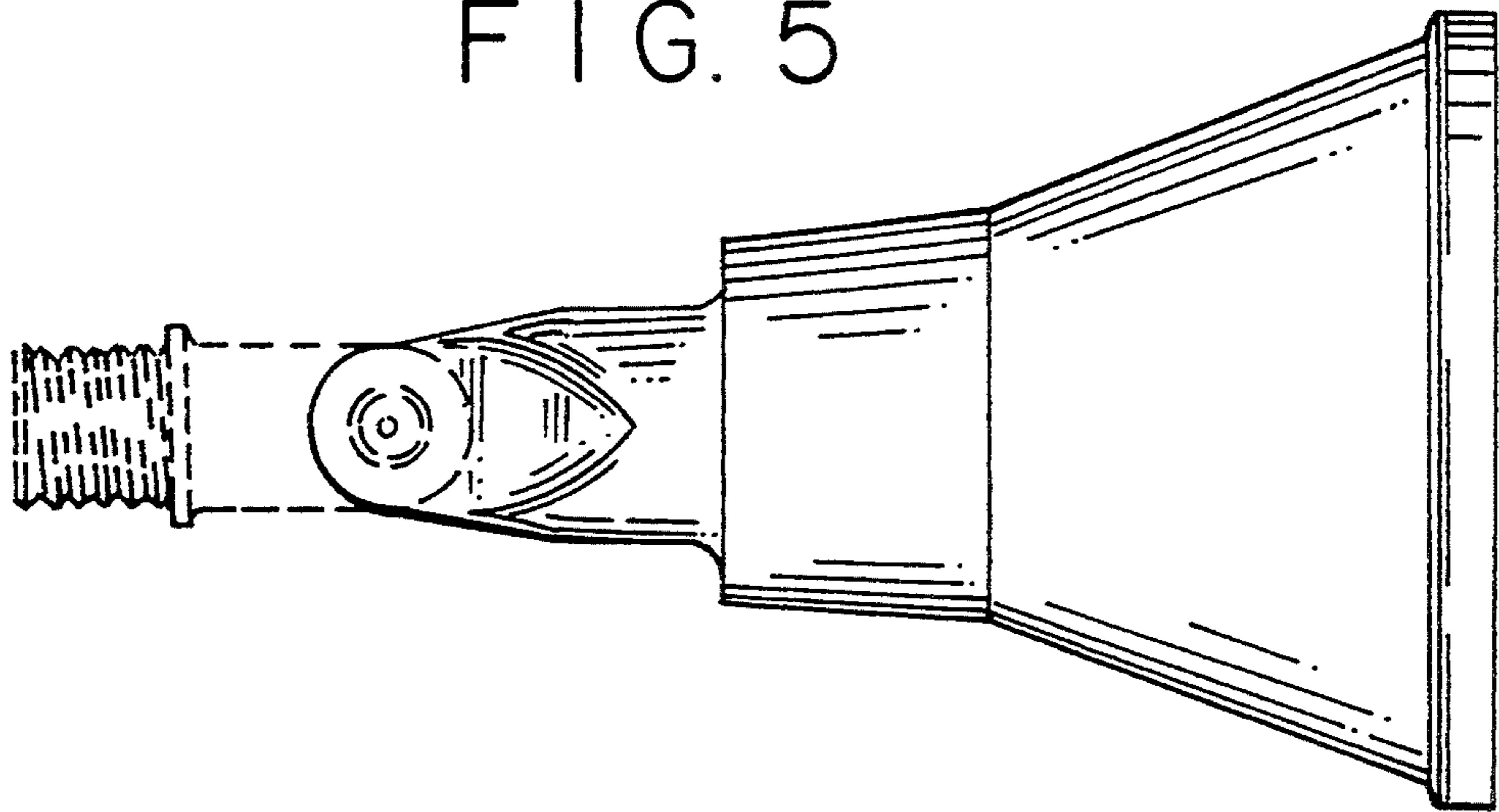


FIG. 6

