



US00D361147S

United States Patent [19]

[11] Patent Number: Des. 361,147

Wedell et al.

[45] Date of Patent: ** Aug. 8, 1995

[54] QUARTZ HALOGEN FLOOD LIGHT

[75] Inventors: **Mark T. Wedell**, Germantown, Tenn.; **J. D. McIngvale**, Hernando, Miss.

[73] Assignee: **Thomas & Betts Corporation**, Memphis, Tenn.

[**] Term: **14 Years**

[21] Appl. No.: **26,190**

[22] Filed: **Jul. 22, 1994**

[52] U.S. Cl. **D26/63**

[58] Field of Search **D26/61, 62, 63; 362/418, 419, 427, 269, 275, 285, 282, 421**

[56] References Cited

U.S. PATENT DOCUMENTS

D. 304,623	11/1989	Roulstone	D26/63
3,751,657	8/1973	Sangiomo et al.	240/41.35 E
3,832,540	8/1974	Roth	240/51.11 R
4,288,846	9/1981	Fletcher et al.	362/217
4,315,302	2/1982	Petralia	362/226
4,918,582	4/1990	McIngvale, Jr. et al.	362/217
5,140,507	8/1992	Harwood	362/275 X
5,243,507	9/1993	Atkins et al.	362/376

FOREIGN PATENT DOCUMENTS

919993 2/1963 United Kingdom .

OTHER PUBLICATIONS

Electripak Security Lite Box, 1991.

Primary Examiner—Susan J. Lucas

Attorney, Agent, or Firm—Robert M. Rodrick; Thomas & Betts Corp.

[57] CLAIM

The ornamental design for an quartz halogen flood light, as shown and described.

DESCRIPTION

FIG. 1 is a top perspective view of the quartz halogen flood light of the subject invention;

FIG. 2 is a front elevation view of the light of FIG. 1;

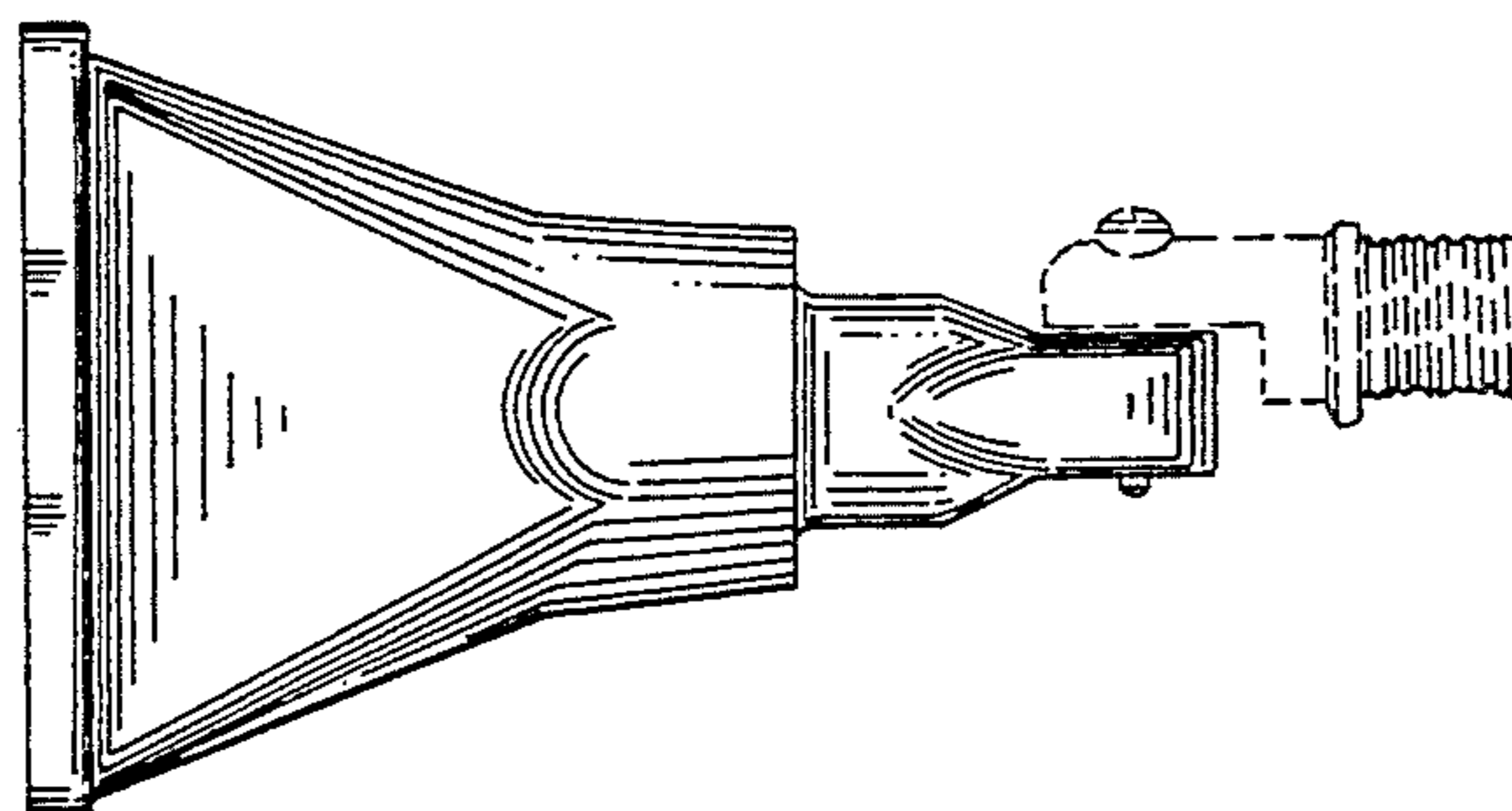
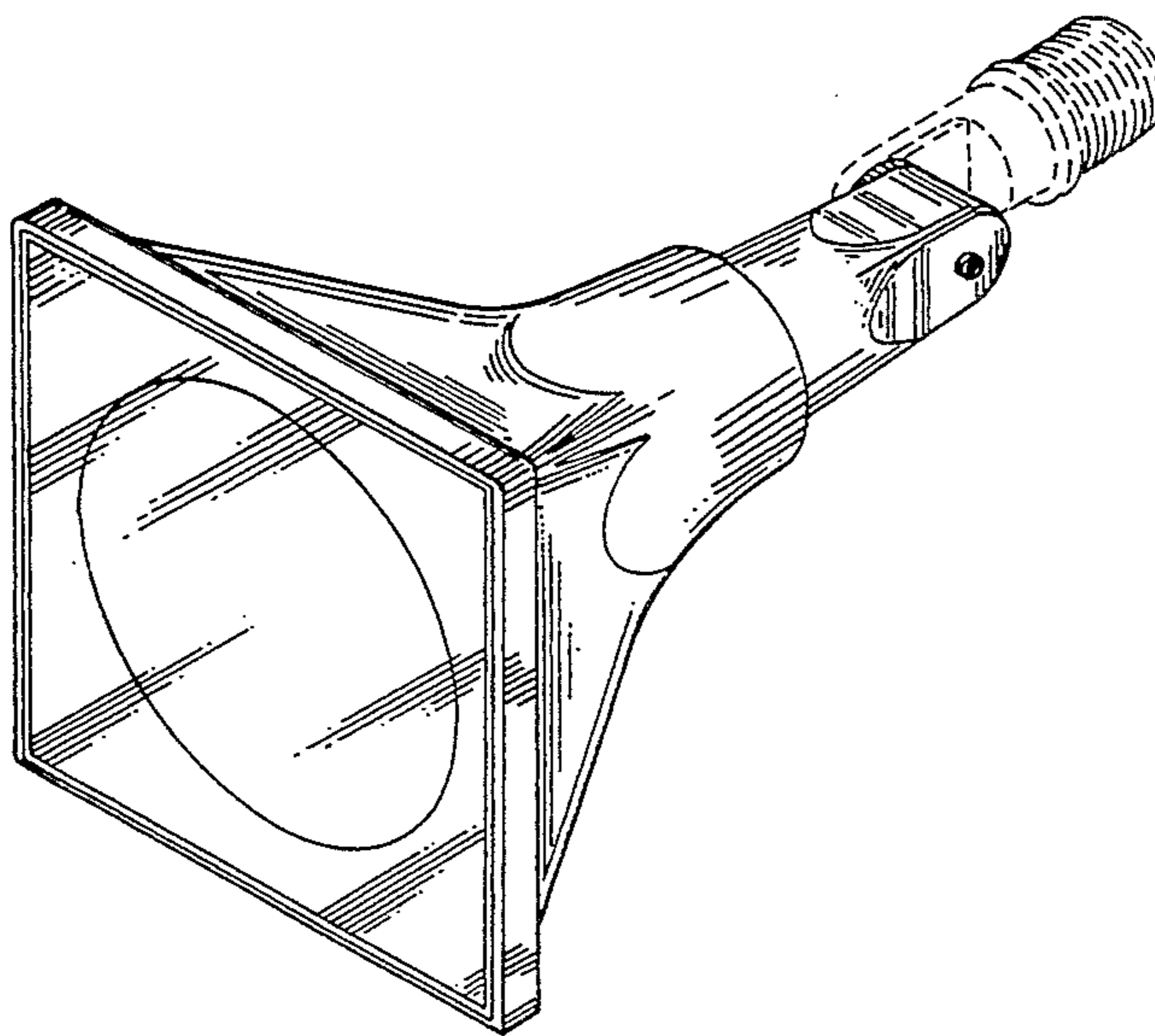
FIG. 3 is a top plan view of the light of FIG. 2;

FIG. 4 is a bottom plan view of the light of FIG. 2;

FIG. 5 is a left side elevation view of the light of FIG. 2; and,

FIG. 6 is a right side elevation view of the light of FIG. 2.

The broken lines are shown for illustrative purposes only and form no part of the claimed design.



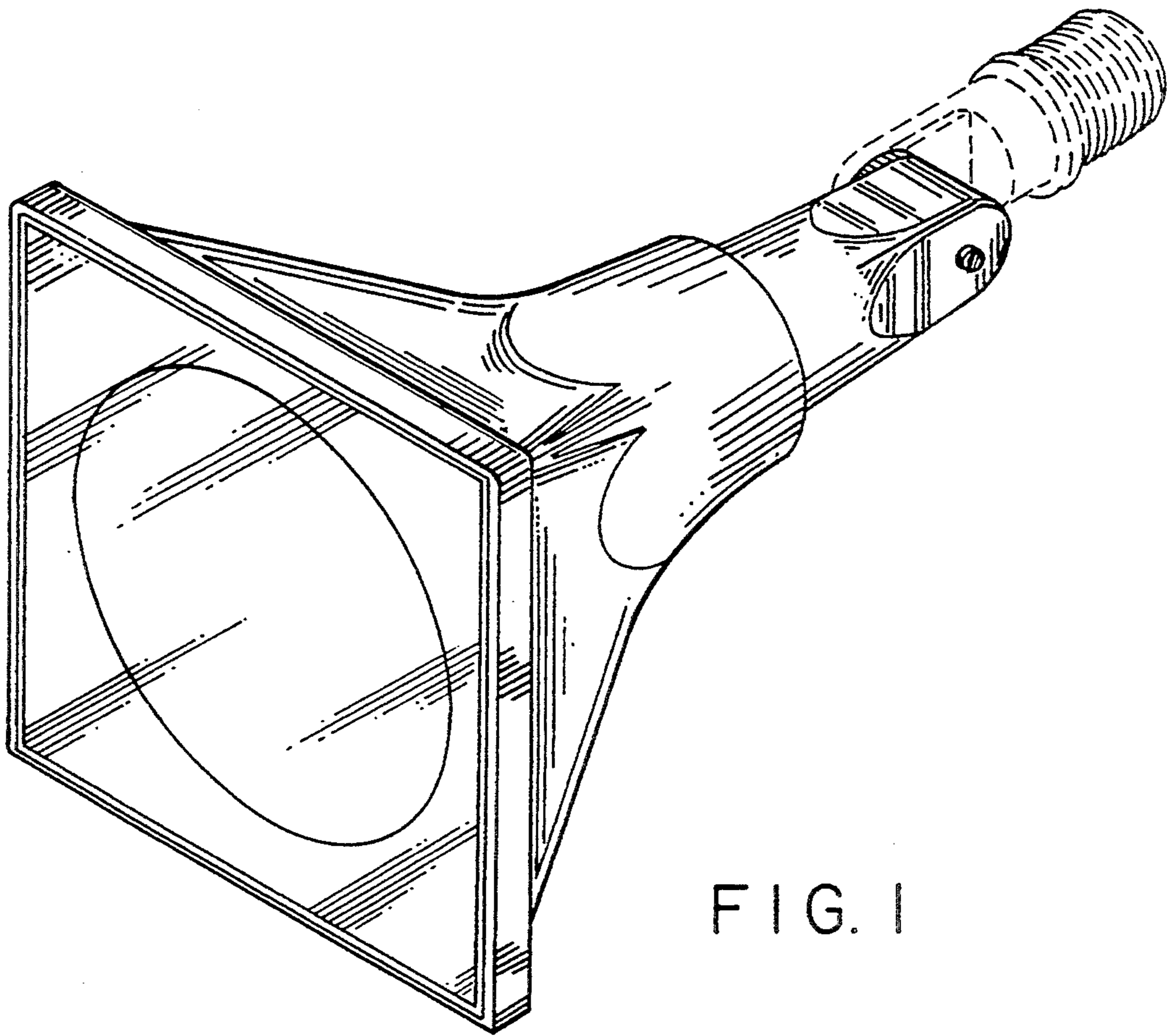


FIG. 1

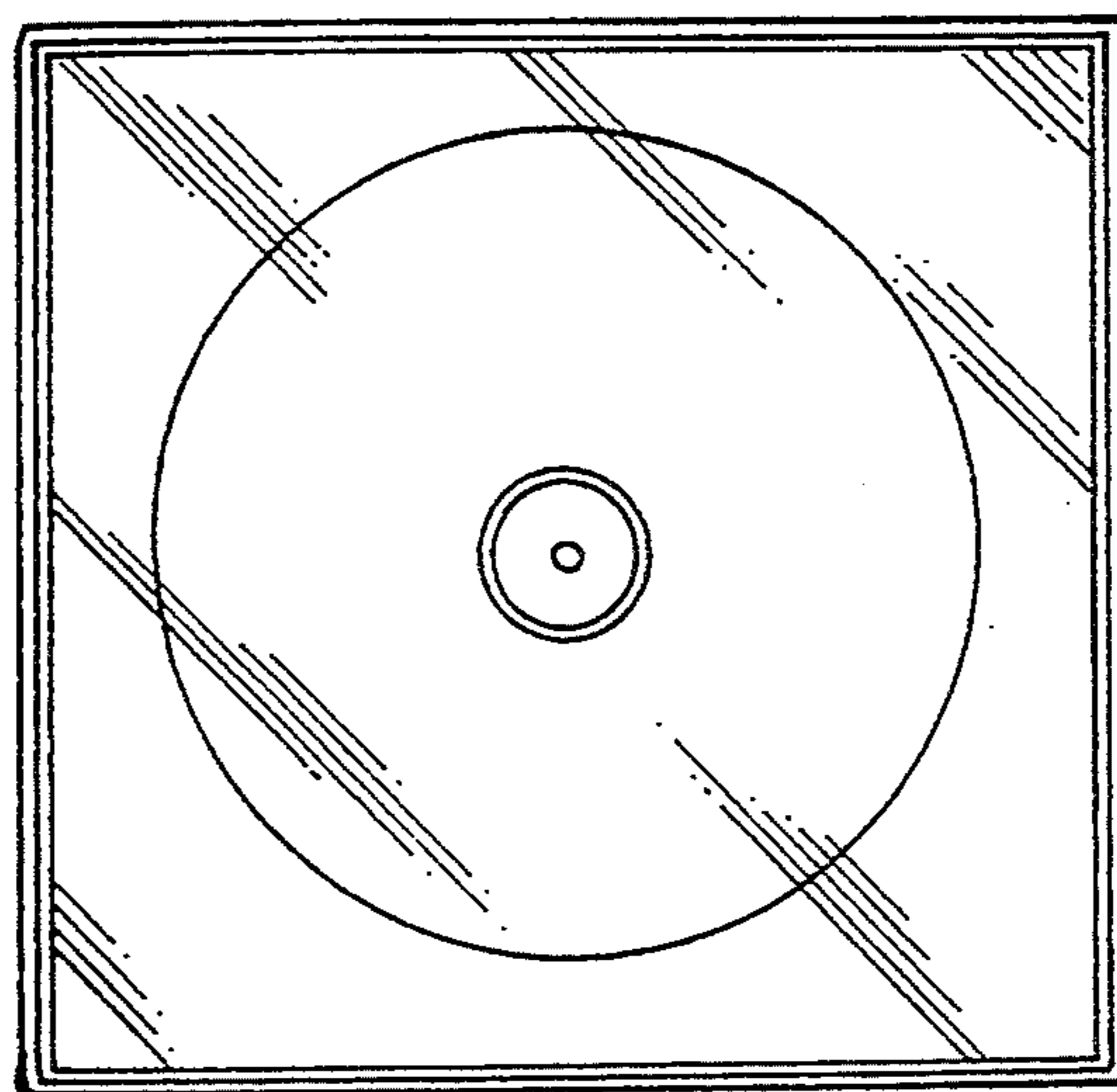


FIG. 2

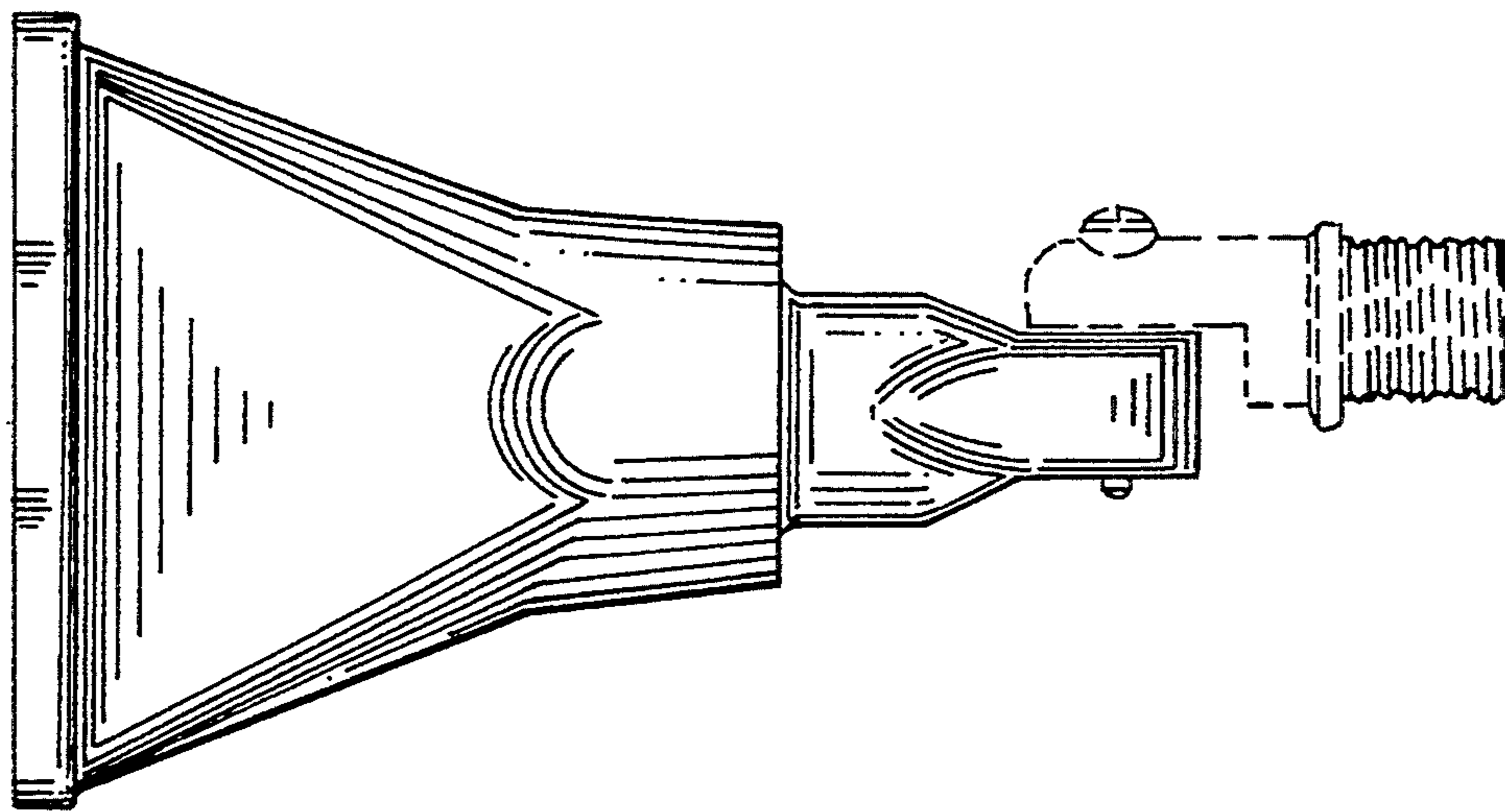


FIG. 3

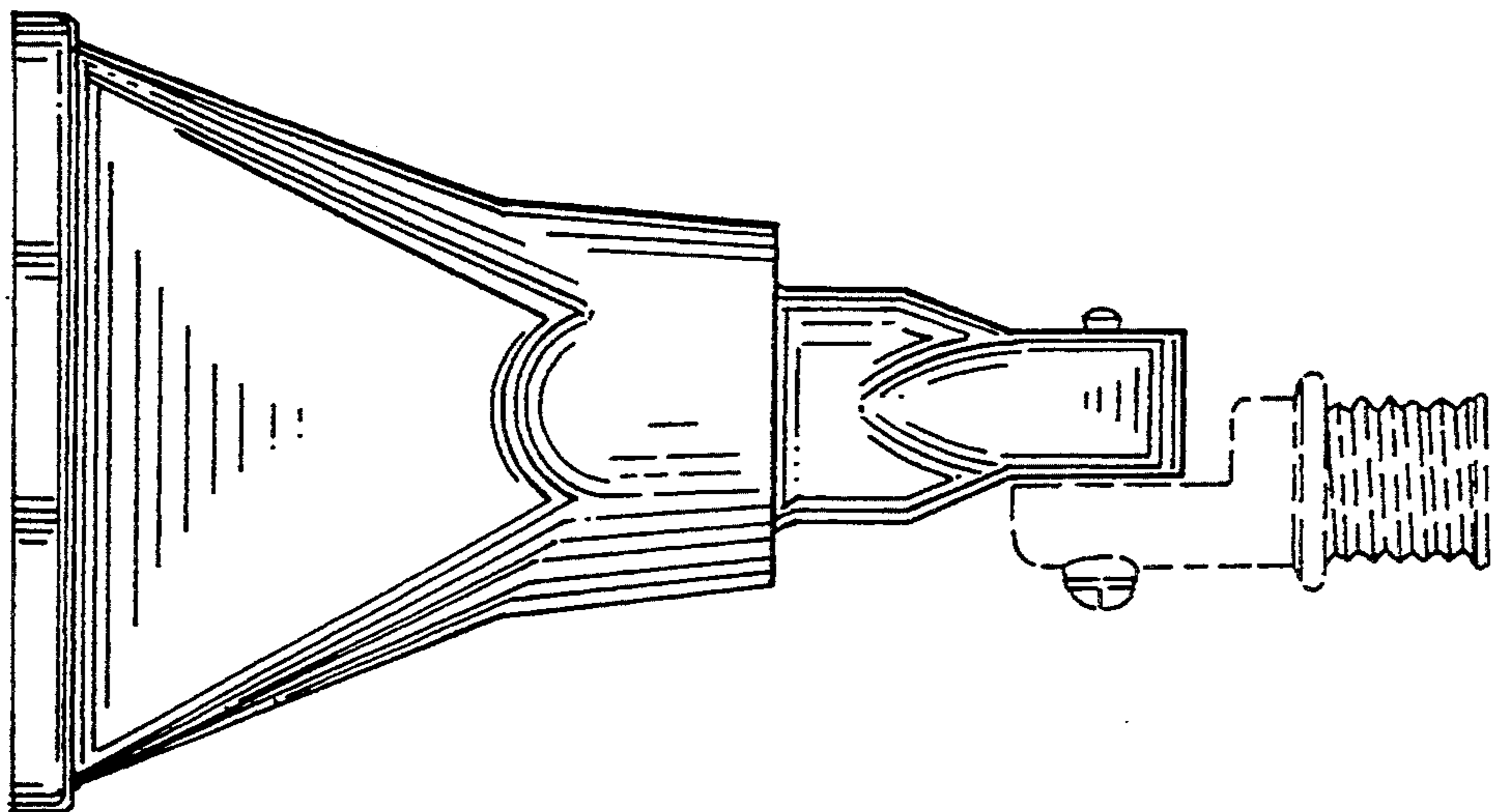


FIG. 4

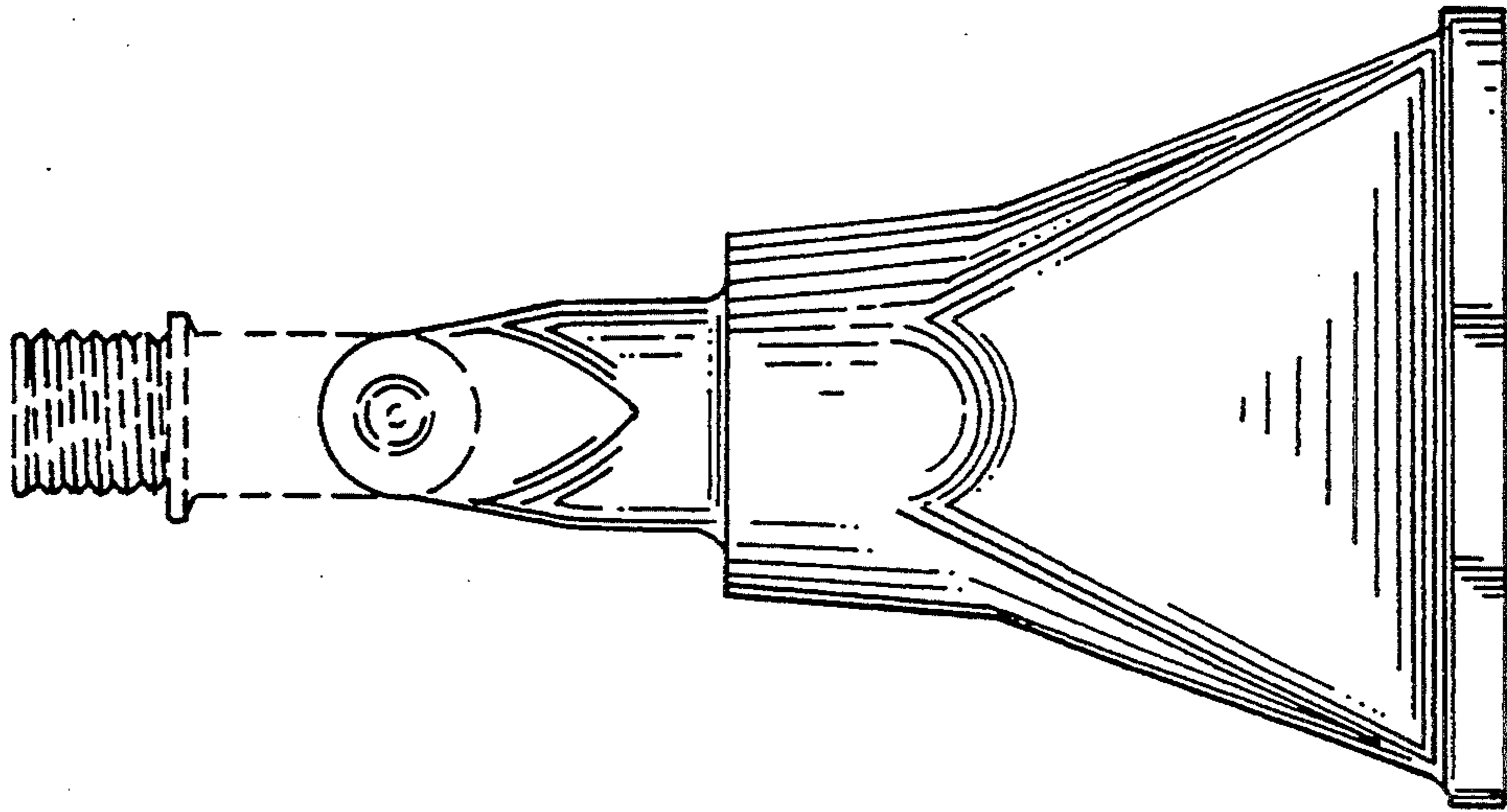


FIG. 5

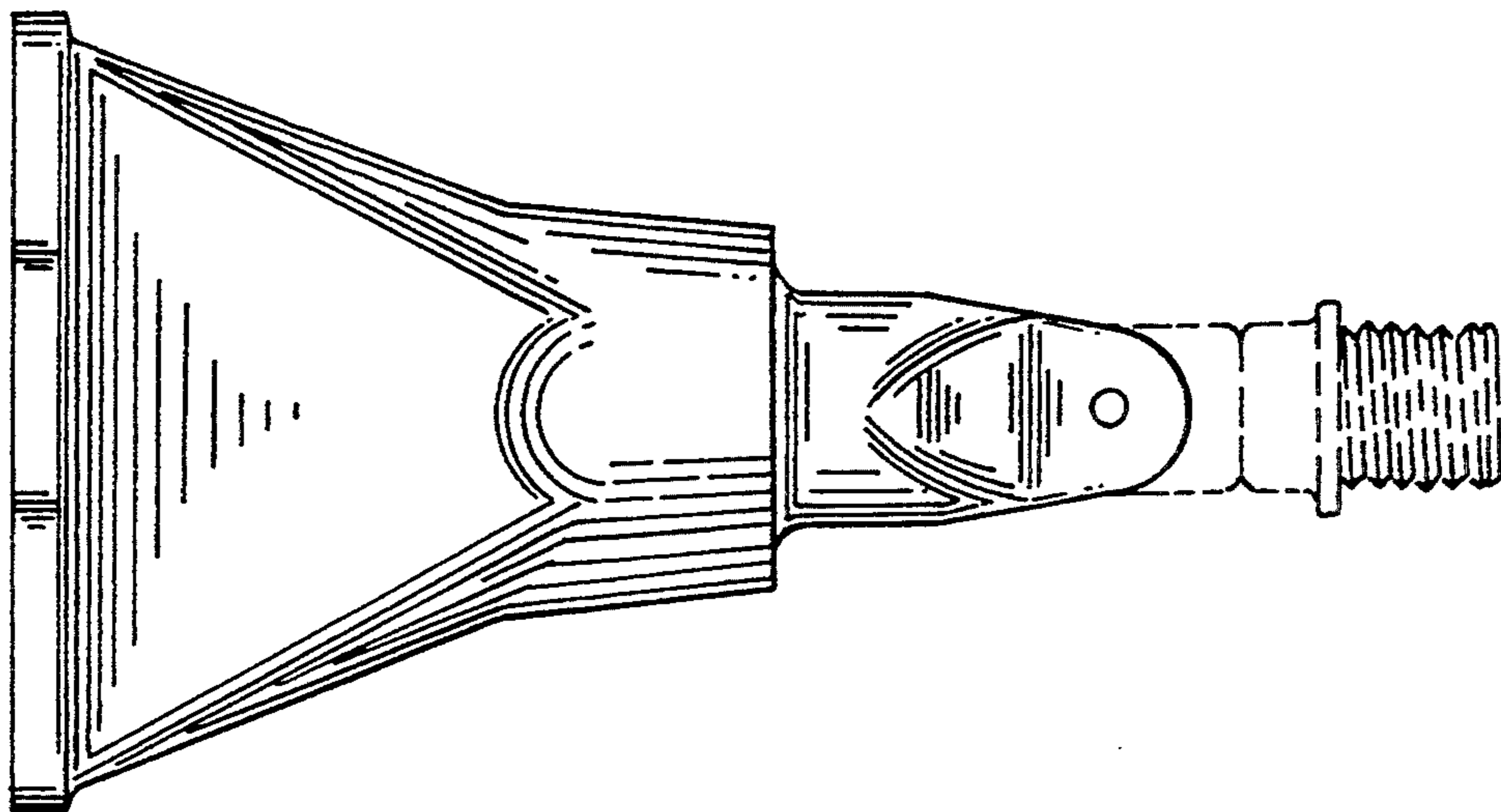


FIG. 6