



US00D361146S

United States Patent [19]

[11] Patent Number: **Des. 361,146**

Jandrisits et al.

[45] Date of Patent: **** Aug. 8, 1995**

[54] **UNIVERSAL TRACK LAMPHOLDER**

[75] Inventors: **Alice M. Jandrisits**, Chicago;
Giacinto C. D'Ercoli, Rolling Meadows, both of Ill.

[73] Assignee: **Cooper Industries, Inc.**, Houston, Tex.

[**] Term: **14 Years**

[21] Appl. No.: **12,977**

[22] Filed: **Sep. 15, 1993**

[52] U.S. Cl. **D26/63**

[58] Field of Search **D26/60, 61, 62, 63, D26/64, 65; 362/269, 275, 285, 418, 419, 428**

[56] **References Cited**

U.S. PATENT DOCUMENTS

51,457	11/1917	Godley .	
55,349	5/1920	Williams .	
D. 121,294	7/1940	Critoph .	
D. 254,632	4/1980	Brendgord	D26/65
D. 272,659	2/1984	Medley	D26/138
D. 296,244	6/1988	Donato	D26/63
D. 297,671	9/1988	Groh	D26/63
D. 315,418	3/1991	Layne	D26/63

D. 315,420	3/1991	Layne	D26/63
D. 318,339	7/1991	Gecchelin	D26/63
D. 323,566	1/1992	Woodgate	D26/63
D. 325,645	4/1992	Grange	D26/63
D. 330,944	11/1992	Werely	D26/63
2,278,916	4/1942	Critoph et al. .	
3,711,702	1/1973	Adra .	
5,140,507	8/1992	Harwood	362/275 X

OTHER PUBLICATIONS

Progressive Architecture, Apr. 1981, p. 253, Spotlight.

Primary Examiner—Susan J. Lucas

Attorney, Agent, or Firm—Burns, Doane, Swecker & Mathis

[57] CLAIM

The ornamental design for a universal track lampholder, as shown and described.

DESCRIPTION

FIG. 1 is a front elevational view of an universal track lampholder showing our new design;
 FIG. 2 is a rear elevational view of FIG. 1;
 FIG. 3 is a right side elevational view of FIG. 1;
 FIG. 4 is a left side elevational view of FIG. 1;
 FIG. 5 is a top plan view of FIG. 1; and,
 FIG. 6 is a bottom plan view of FIG. 2.

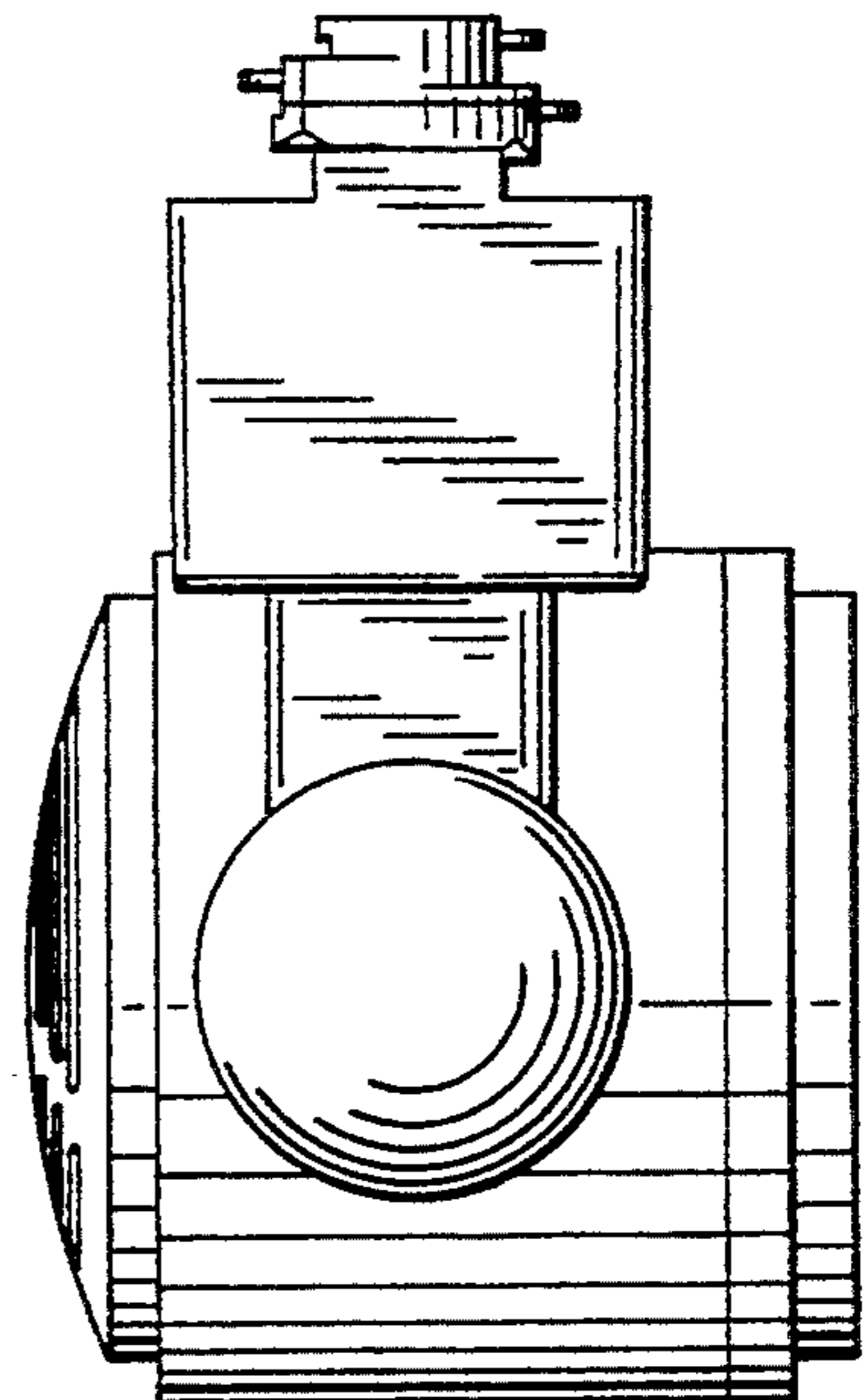
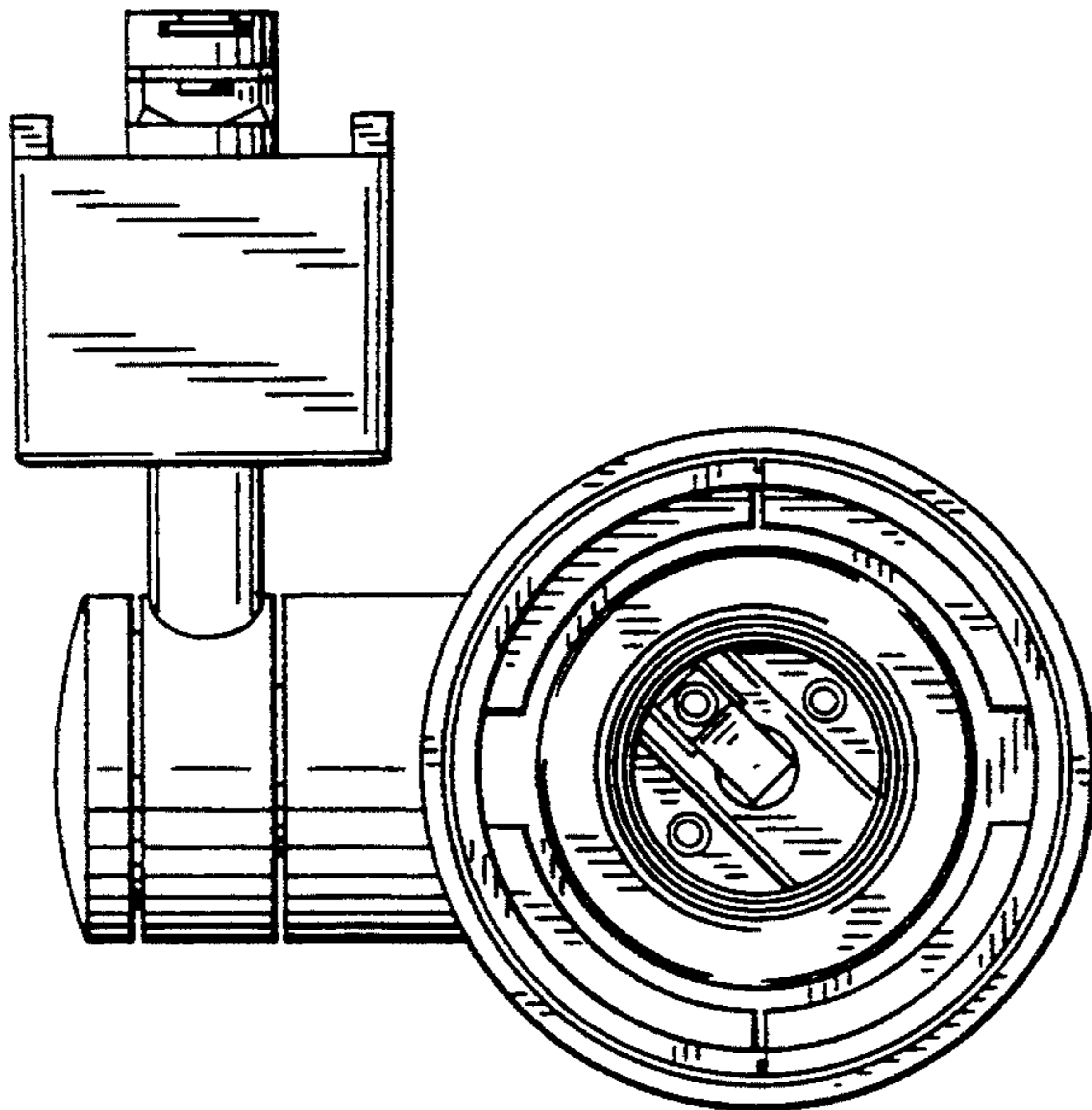


FIG. 1

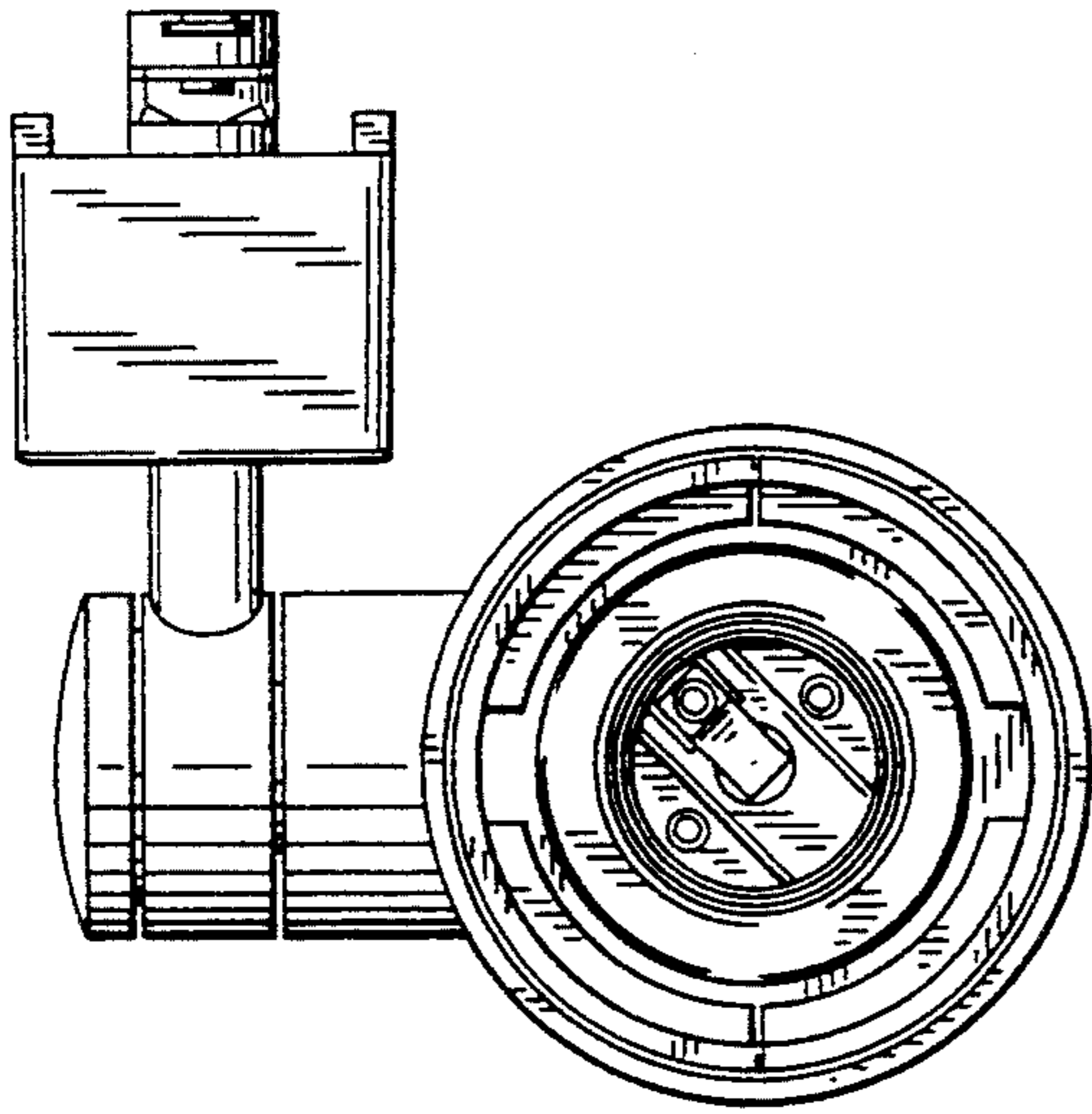


FIG. 2

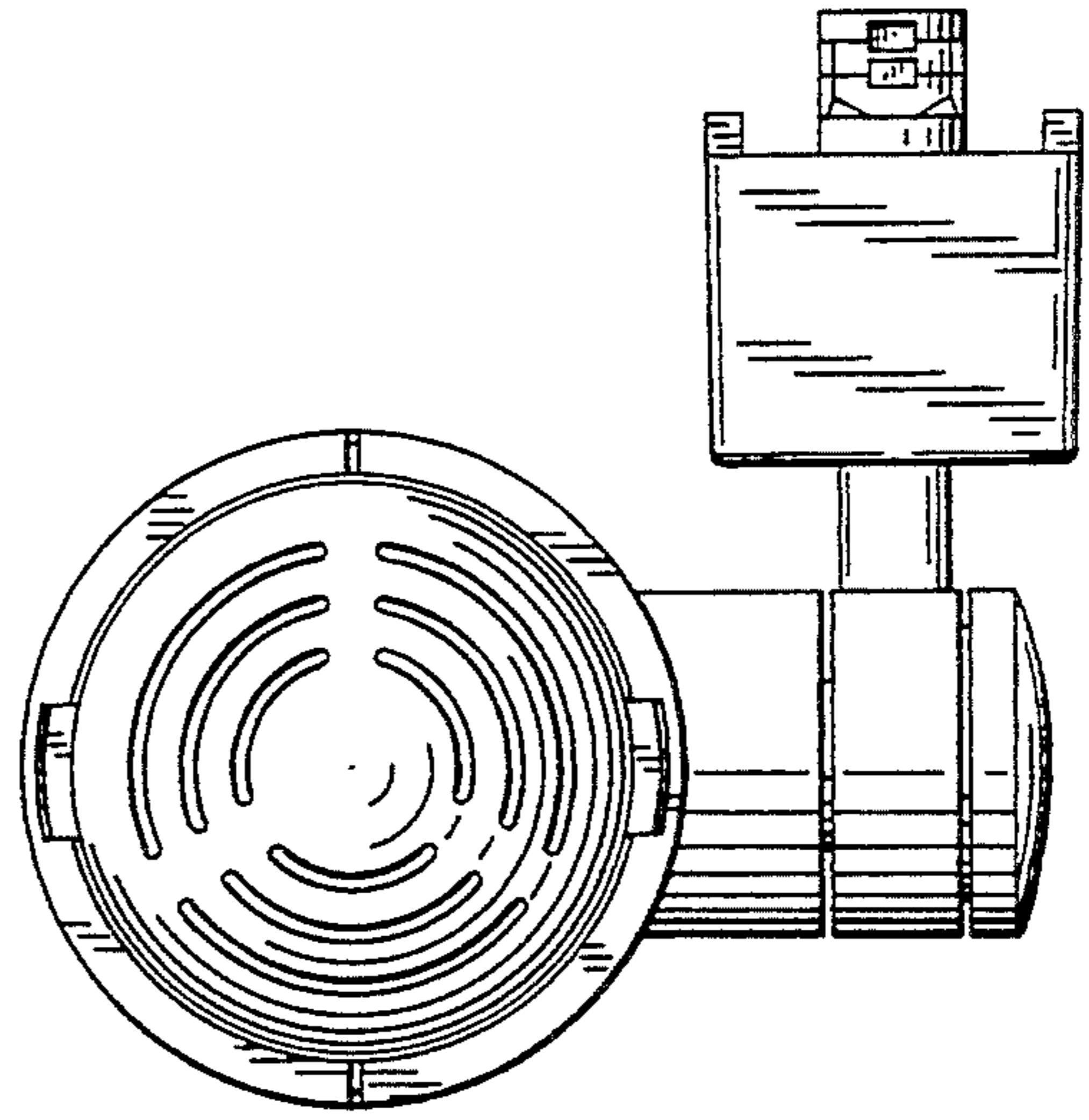


FIG. 3

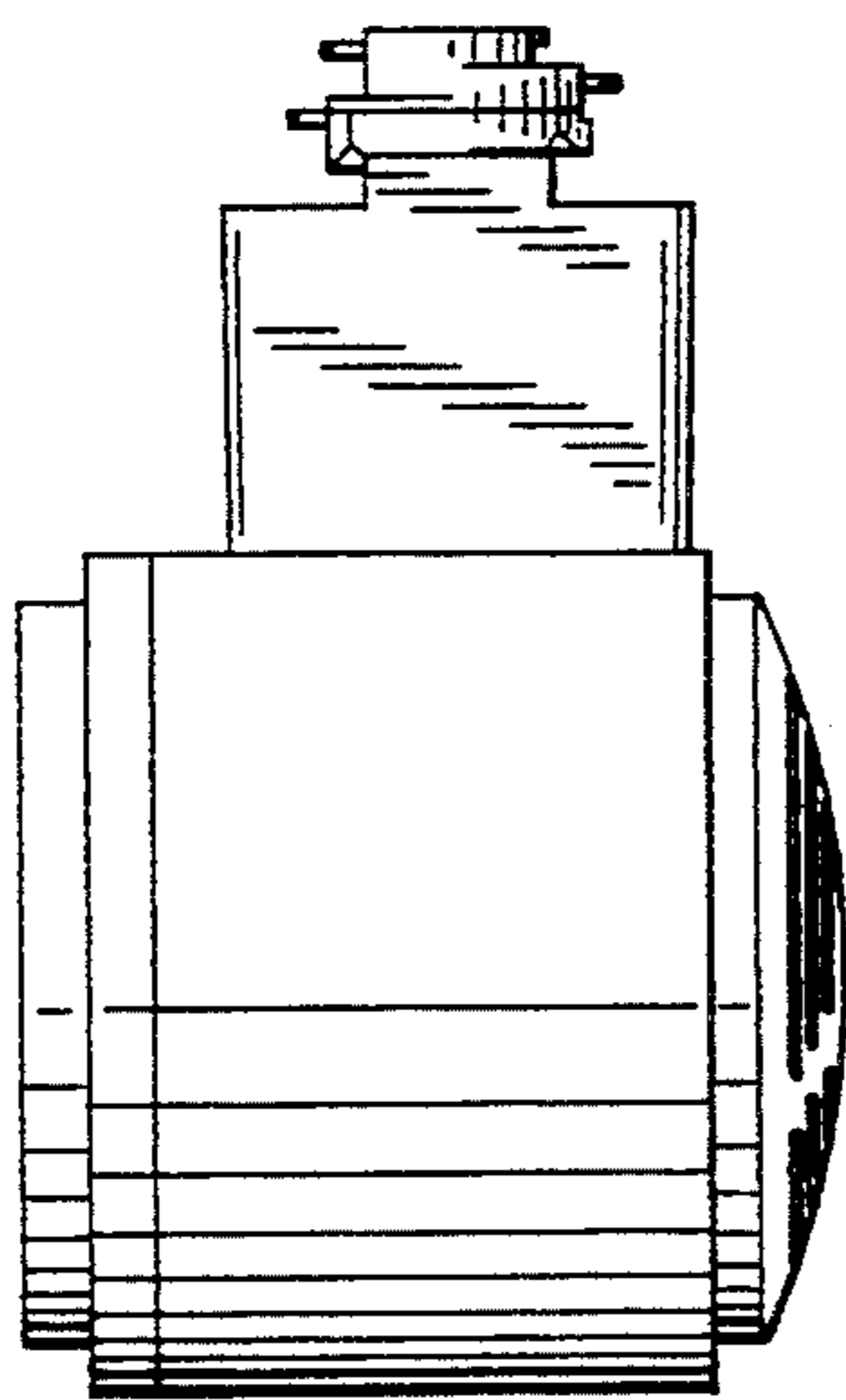


FIG. 4

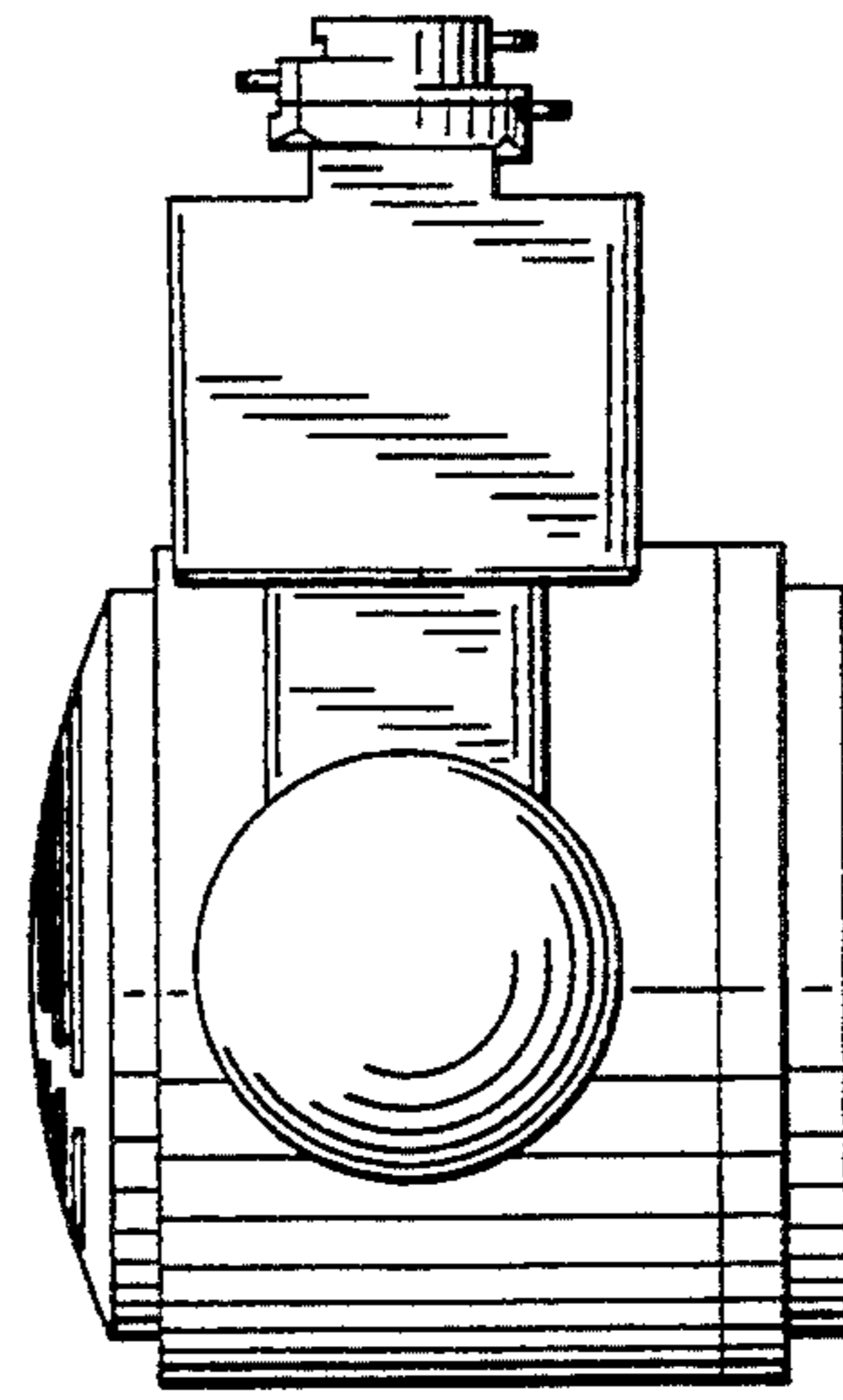


FIG. 5

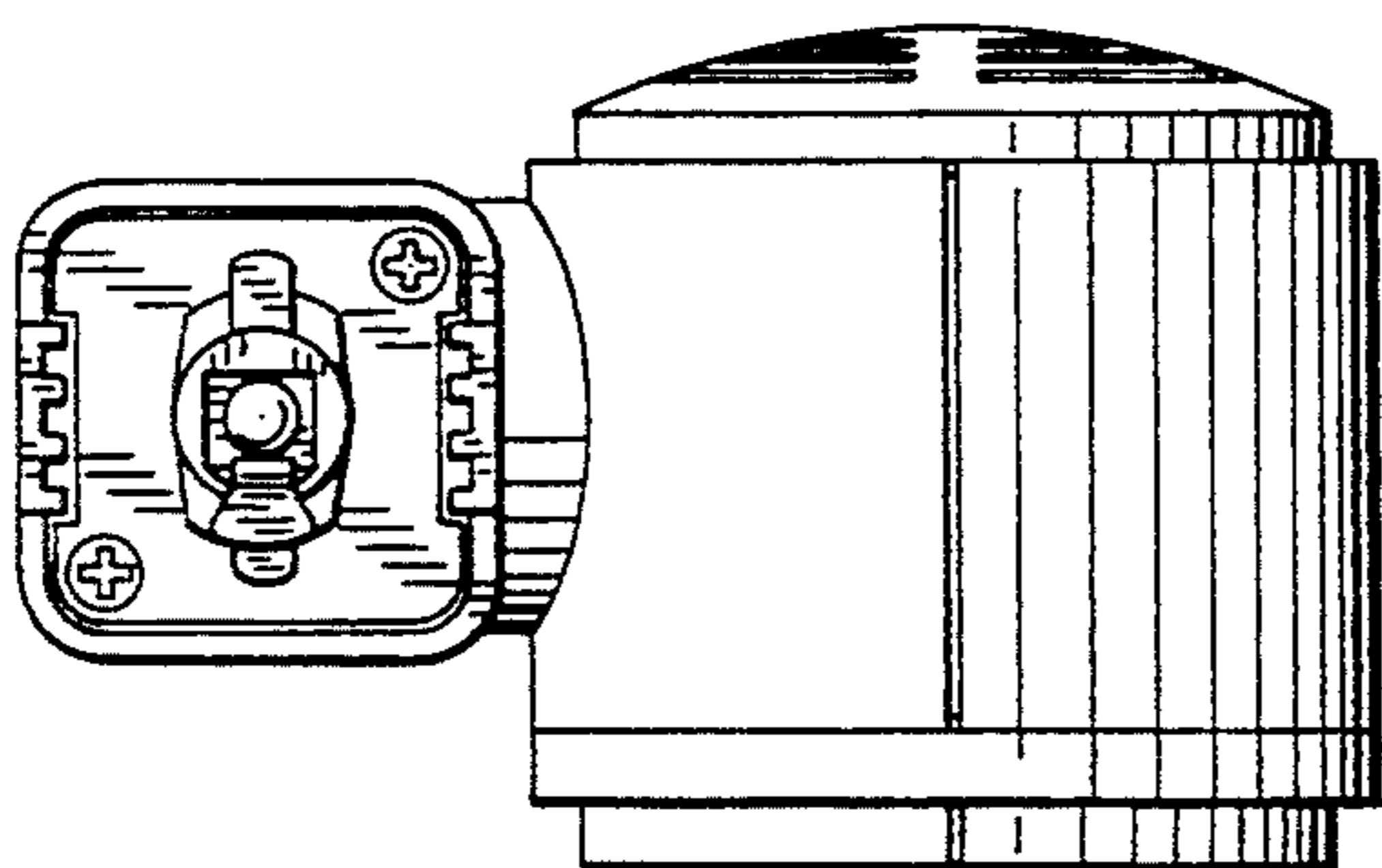


FIG. 6

