



US00D361144S

United States Patent [19]

[11] Patent Number: **Des. 361,144**

Loiselet

[45] Date of Patent: **** Aug. 8, 1995**

[54] **PORTABLE, ADJUSTABLE LAMP**

4,935,854 6/1990 Kernodle .
5,109,321 4/1992 Maglica et al. .
5,183,330 2/1993 Rishel et al. .

[76] Inventor: **Chris H. Loiselet**, 104 W. Mt. Ida Ave., Alexandria, Va. 22305

FOREIGN PATENT DOCUMENTS

[**] Term: **14 Years**

451957 10/1948 Canada .
1254867 1/1961 France .

[21] Appl. No.: **19,358**

[22] Filed: **Mar. 1, 1994**

Primary Examiner—Brian N. Vinson
Assistant Examiner—Robin V. Taylor
Attorney, Agent, or Firm—Richard C. Litman

[52] U.S. Cl. **D26/44; D26/61**

[58] Field of Search **D26/37-50, D26/61, 63; 362/109, 136, 156-158, 163, 171-173, 178, 181-183, 188-189, 192, 194, 196-197, 200-206, 257, 261-262**

[57] CLAIM

The ornamental design for a portable, adjustable lamp, as shown and described.

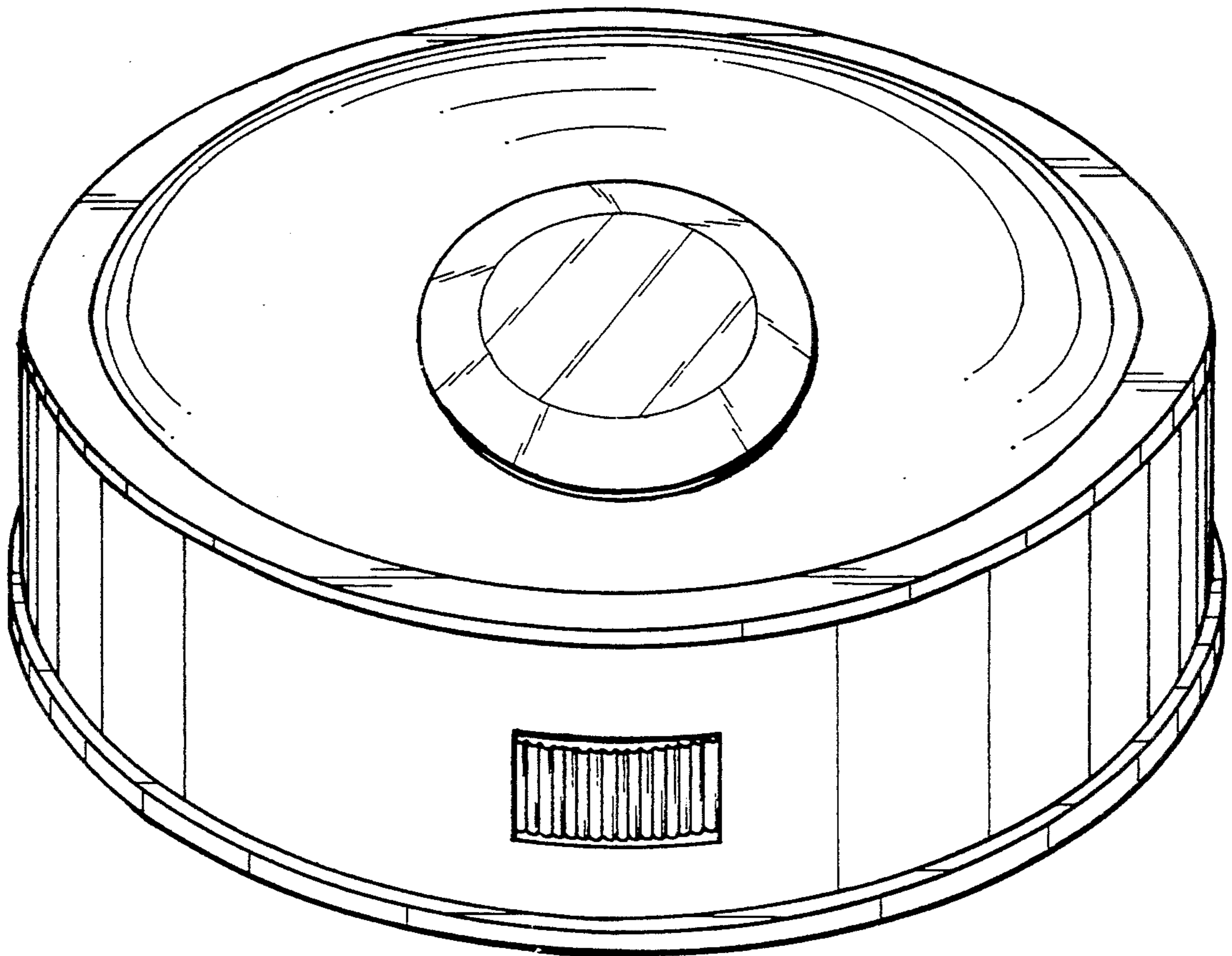
[56] References Cited

DESCRIPTION

U.S. PATENT DOCUMENTS

| | | | | |
|------------|---------|-----------|-------|--------|
| D. 285,357 | 8/1986 | Pritchett | | D26/61 |
| D. 336,144 | 6/1993 | Galati | | D26/37 |
| D. 343,019 | 1/1994 | Garrity | | D26/37 |
| 4,564,894 | 1/1986 | Gonzalez | . | |
| 4,617,612 | 10/1986 | Pritchett | . | |
| 4,672,515 | 6/1987 | Baker | . | |
| 4,803,606 | 2/1989 | Rotter | . | |

FIG. 1 is a perspective view of a portable, adjustable lamp showing my new design;
FIG. 2 is a front elevational view thereof;
FIG. 3 is a rear elevational view thereof;
FIG. 4 is a left side elevational view with the right side being a mirror image thereof;
FIG. 5 is a top view thereof; and,
FIG. 6 is a bottom view thereof.



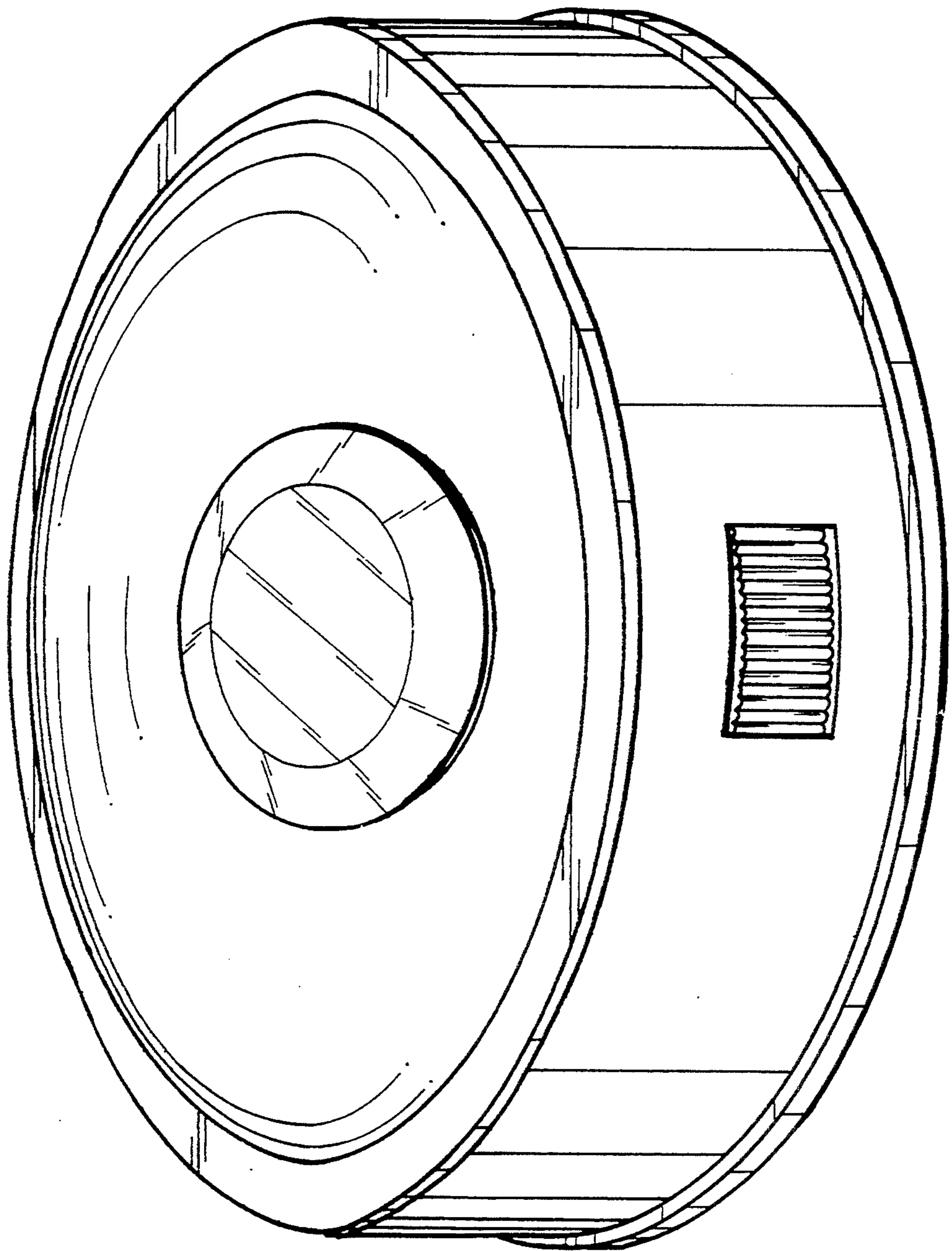


FIG. 1

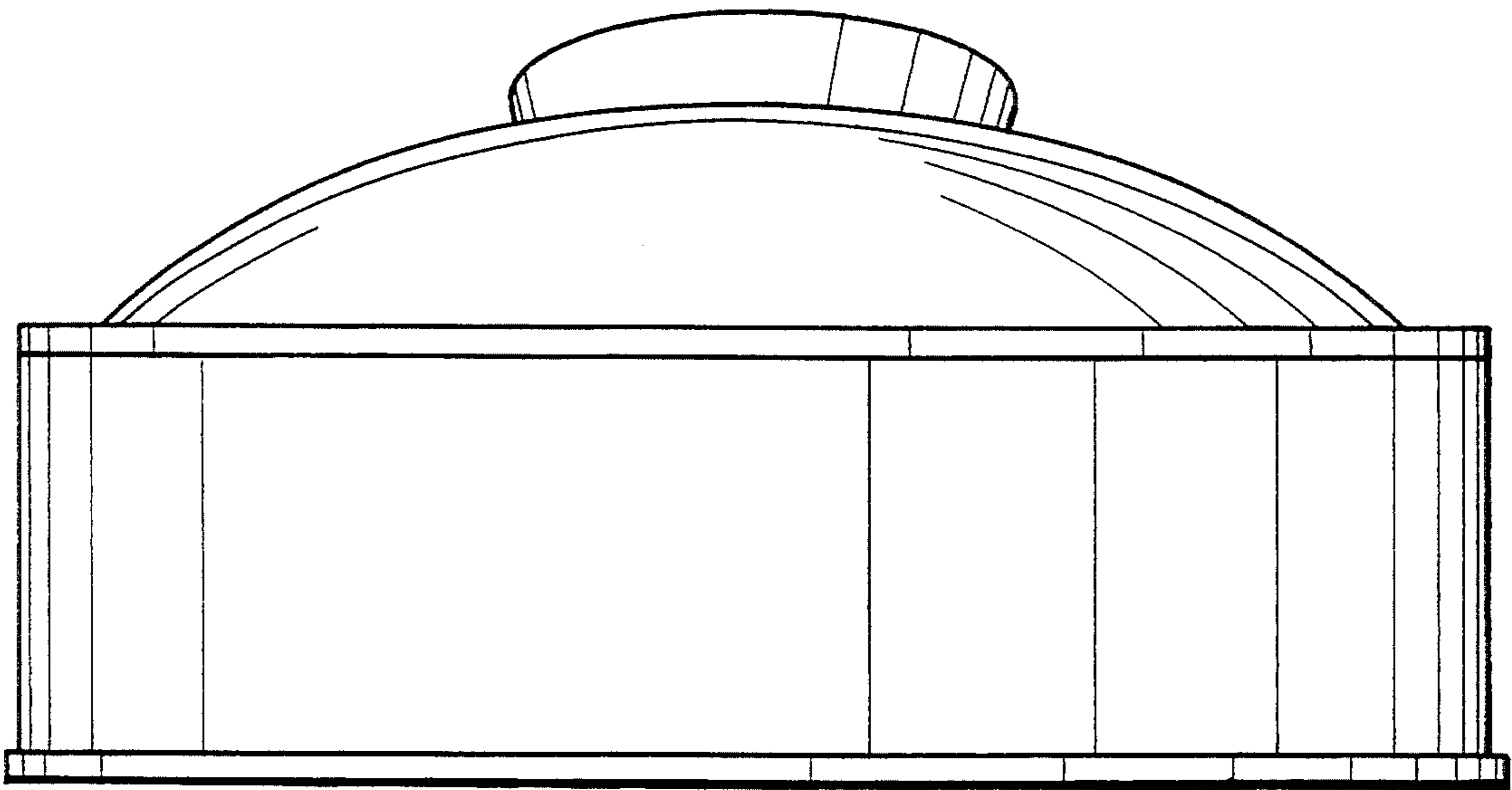


FIG. 3

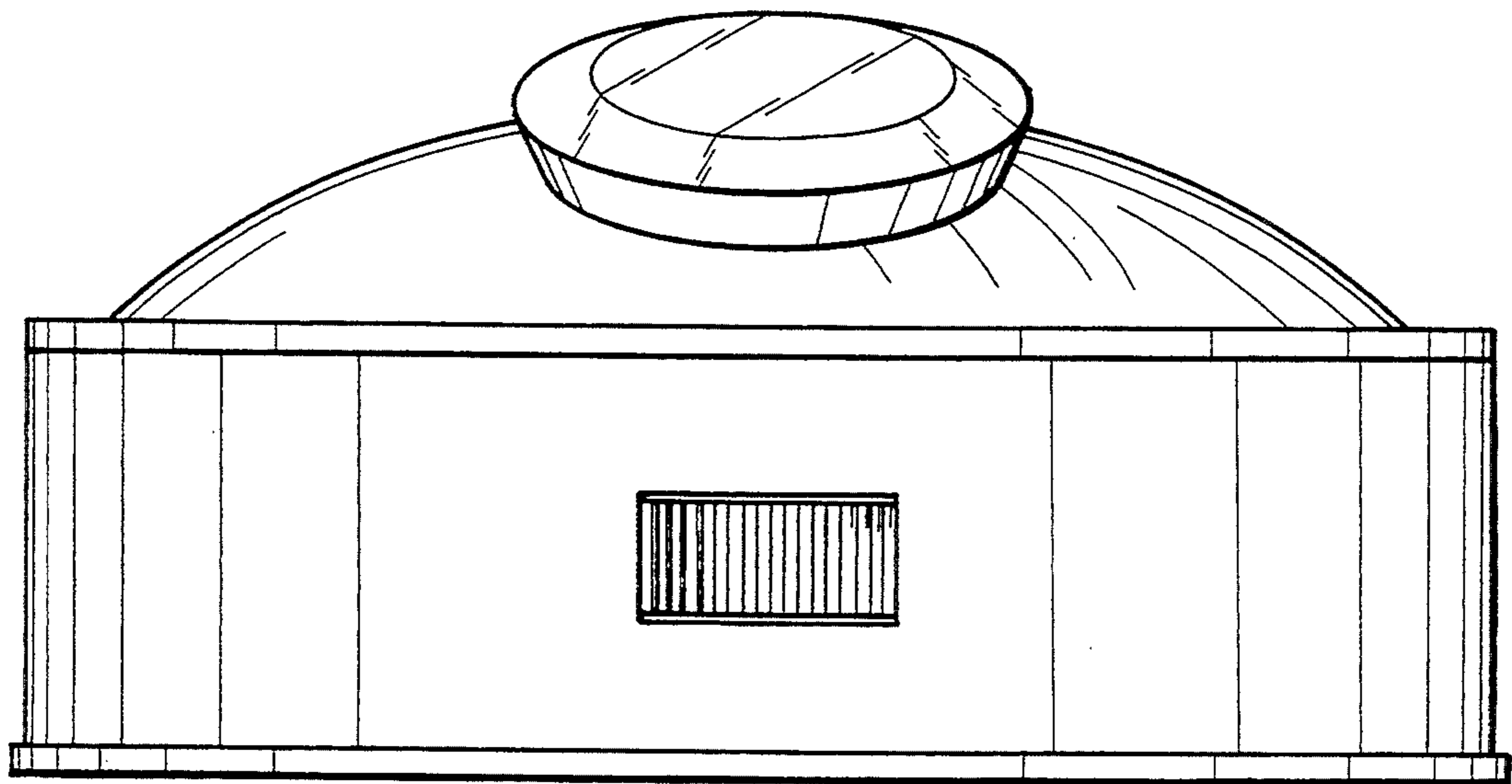


FIG. 2

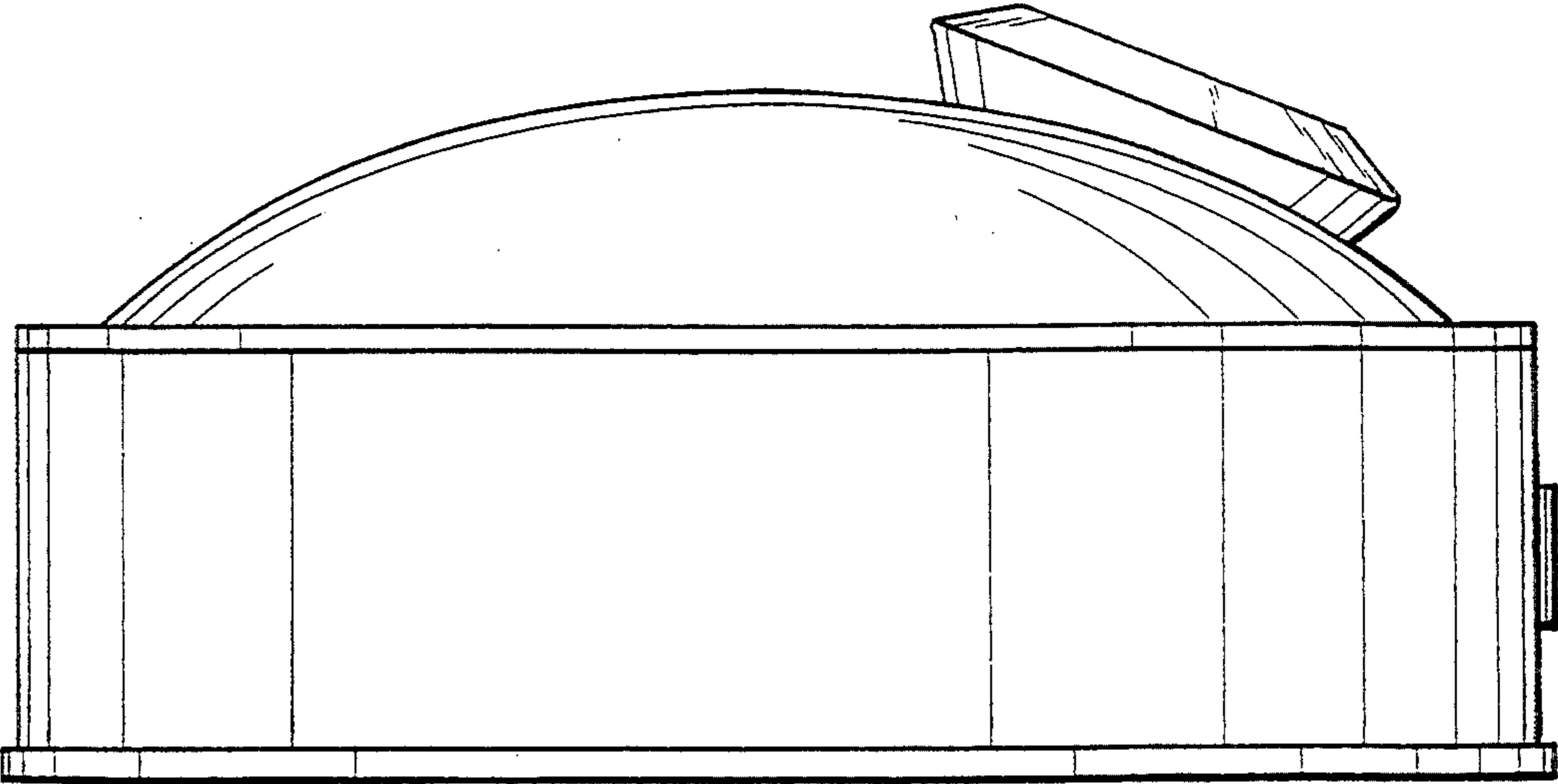
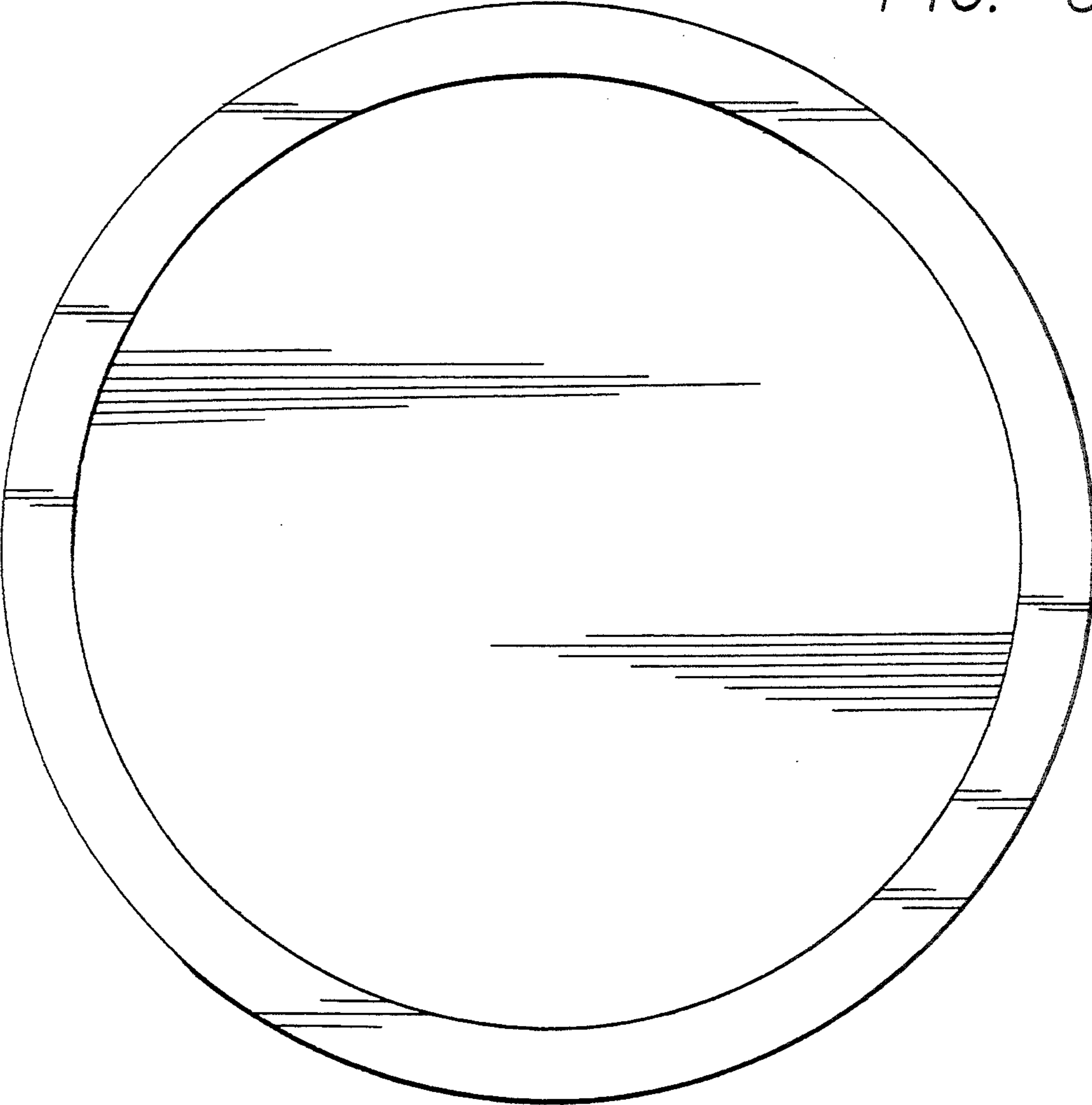


FIG. 4

FIG. 6



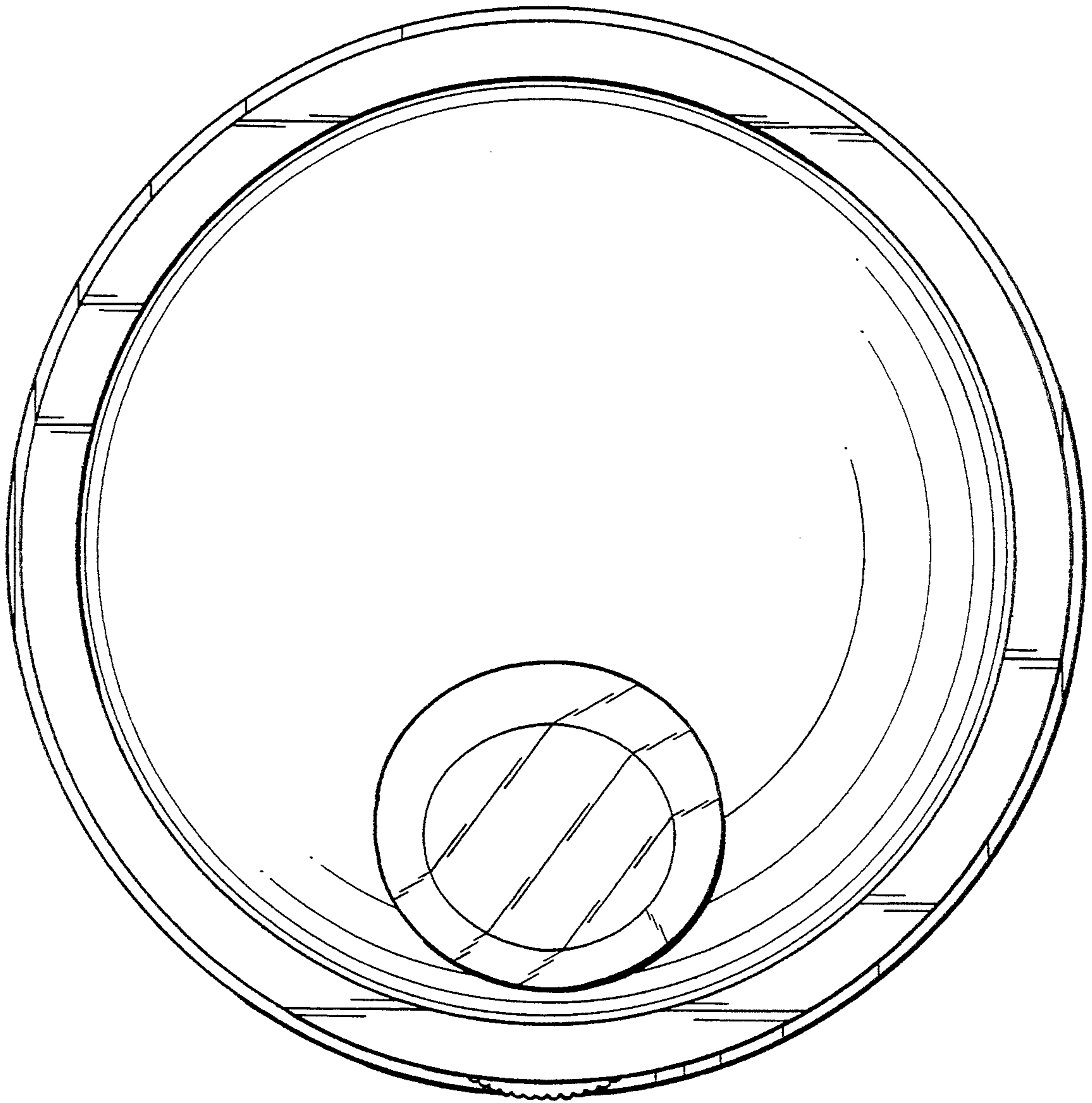


FIG. 5