



US00D361143S

# United States Patent [19]

[11] Patent Number: **Des. 361,143**

Helvey

[45] Date of Patent: **\*\* Aug. 8, 1995**

[54] **ADJUSTABLE WRIST-MOUNTABLE FLASHLIGHT**

[76] Inventor: **Harold L. Helvey**, 6202 Randy Jay St., Schofield, Wis. 54476

[\*\*] Term: **14 Years**

[21] Appl. No.: **10,078**

[22] Filed: **Jun. 29, 1993**

[52] U.S. Cl. .... **D26/39**

[58] Field of Search ..... D26/37, 38, 39, 41; D10/114; 362/103, 84, 108, 105, 157, 158, 285; 340/321

[56] **References Cited**

**U.S. PATENT DOCUMENTS**

1,980,351	11/1934	Osterman	362/199	X
4,319,309	3/1982	Benoit	362/191	X
4,425,600	1/1984	Barnhart	362/103	X
4,517,627	5/1985	Bradford	362/200	X
4,788,631	11/1988	Fuller	362/103	

*Primary Examiner*—Susan J. Lucas

*Assistant Examiner*—Cynthia Ramirez  
*Attorney, Agent, or Firm*—David L. Baker; Ascolillo Rhodes

[57] **CLAIM**

The ornamental design for a adjustable wrist-mountable flashlight, as shown and described.

**DESCRIPTION**

FIG. 1 is a top plan view of an adjustable wrist-mountable flashlight showing my new design therefor. The broken line drawing depicting a hand and forearm is for purposes of illustration only and forms no part of my design;

FIG. 2 is a rear elevational of the flashlight with the wrist band in an open position;

FIG. 3 is a top plan view;

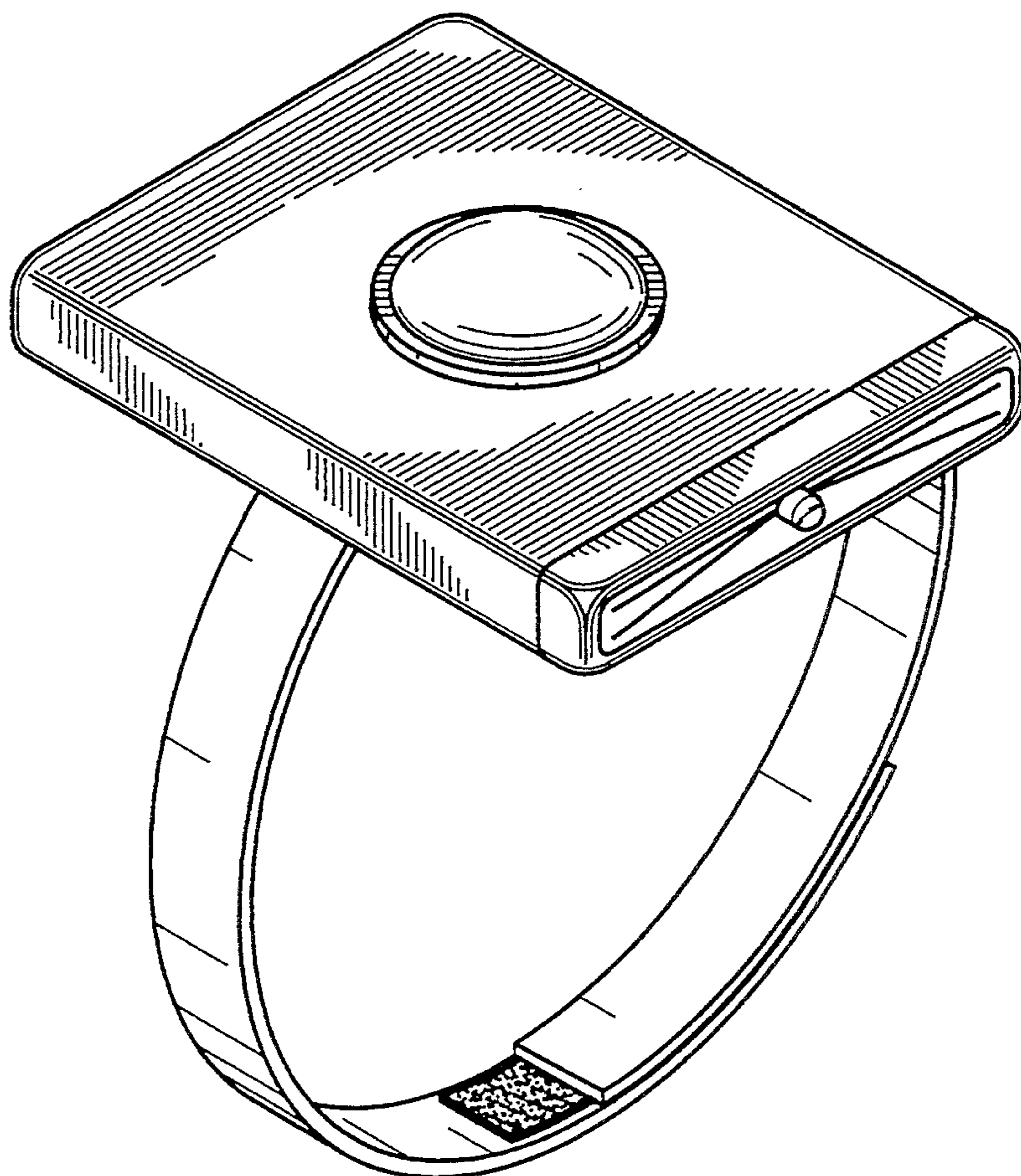
FIG. 4 is a right side elevational view;

FIG. 5 is a front elevational view;

FIG. 6 is a bottom plan view;

FIG. 7 is a left side elevational view; and,

FIG. 8 is a front perspective view of the flashlight with the wrist band in an closed position.



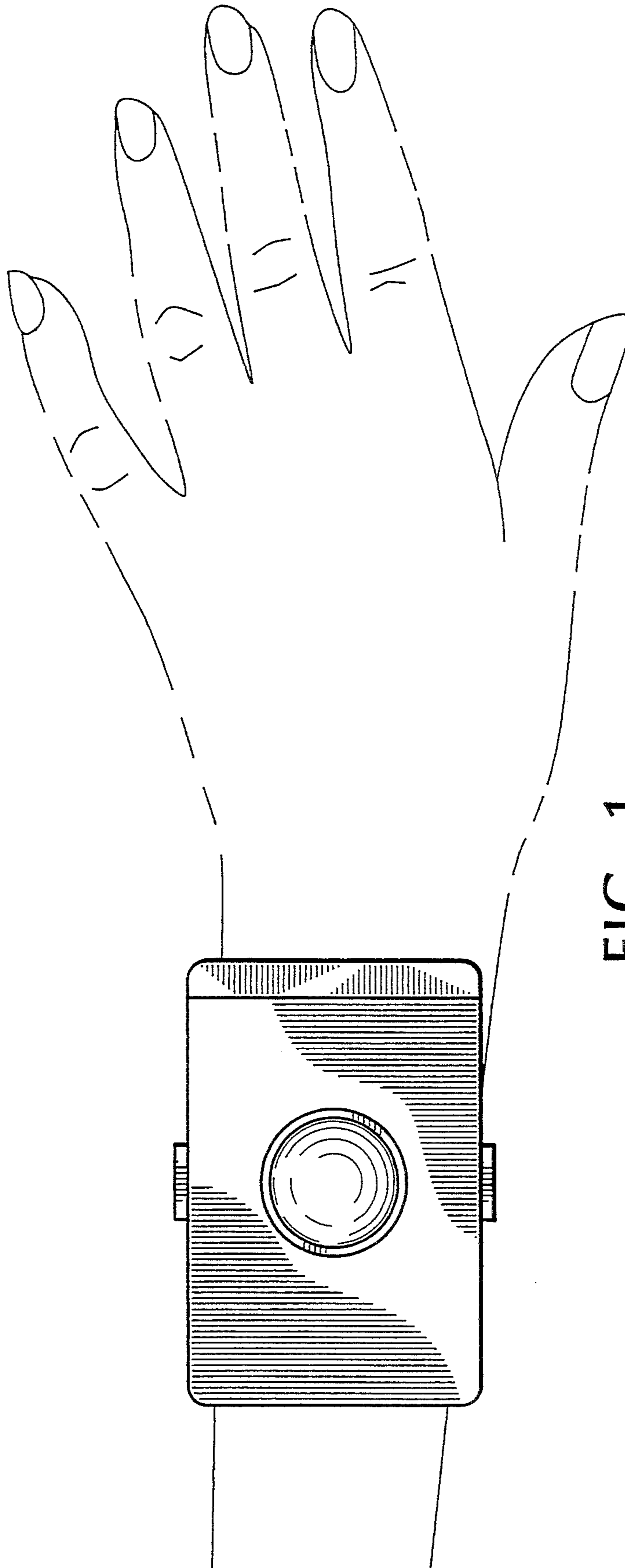


FIG. 1

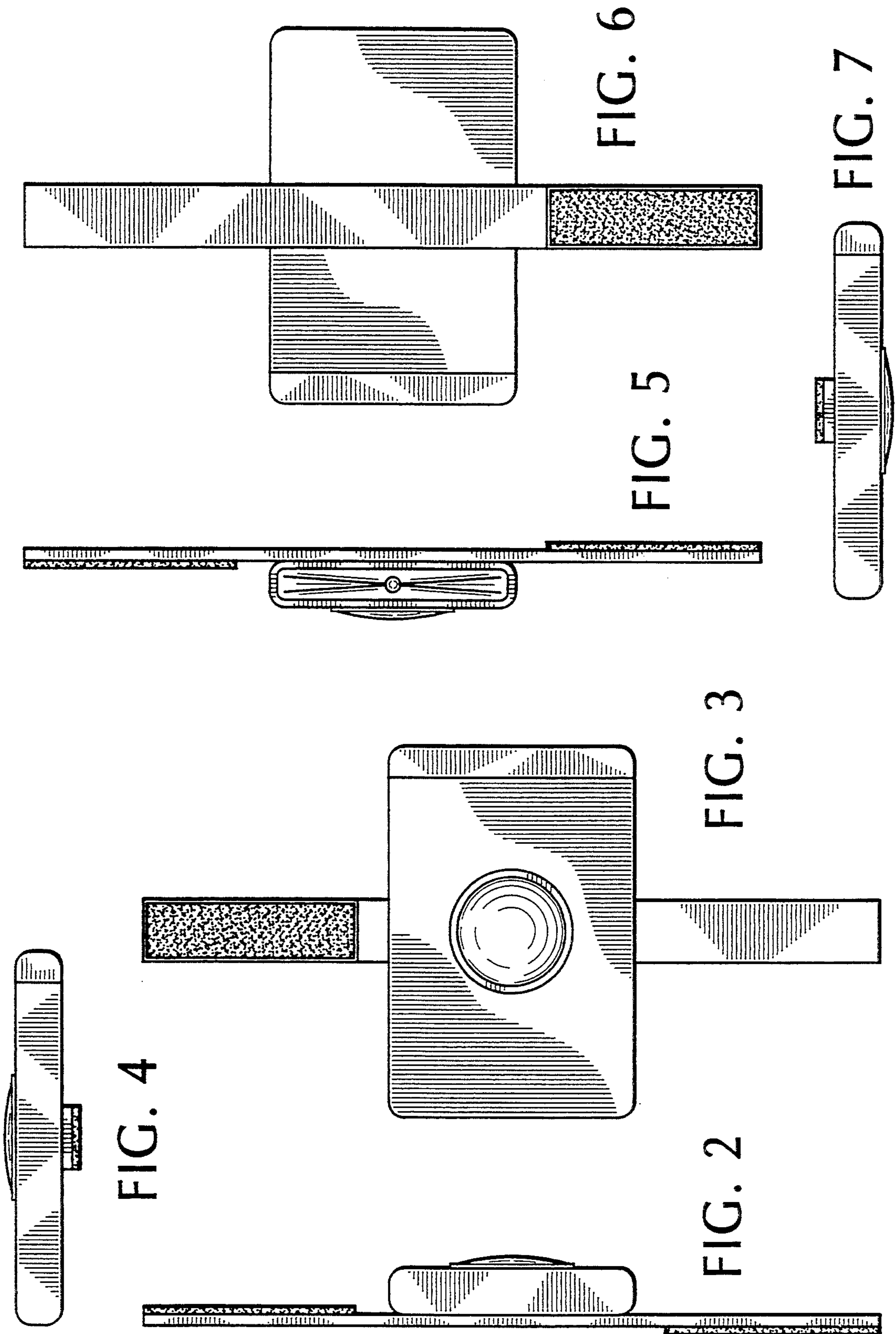


FIG. 4

FIG. 2

FIG. 3

FIG. 5

FIG. 6

FIG. 7

FIG. 8

