



US00D361142S

United States Patent [19]

[11] Patent Number: **Des. 361,142**

Allred

[45] Date of Patent: **** Aug. 8, 1995**

[54] **LIGHTING FIXTURE FOR HELICOPTERS**

[76] Inventor: **Charles N. Allred**, 3476 Springrun Dr., Decatur, Ga. 30032

[**] Term: **14 Years**

[21] Appl. No.: **28,326**

[22] Filed: **Sep. 12, 1994**

[52] U.S. Cl. **D26/28**

[58] Field of Search **D26/28-36;**
362/61, 62, 74, 80, 80.1, 83, 83.2, 267, 330, 336,
337, 339

3,656,105 4/1972 Steltger et al. 362/80
4,115,841 9/1978 Alexander 362/44
4,916,445 4/1990 Crossley 340/946

Primary Examiner—A. Hugo Word
Assistant Examiner—Marcus Jackson
Attorney, Agent, or Firm—Hopkins & Thomas

[57] CLAIM

The ornamental design of a lighting fixture for helicopters, as shown and described.

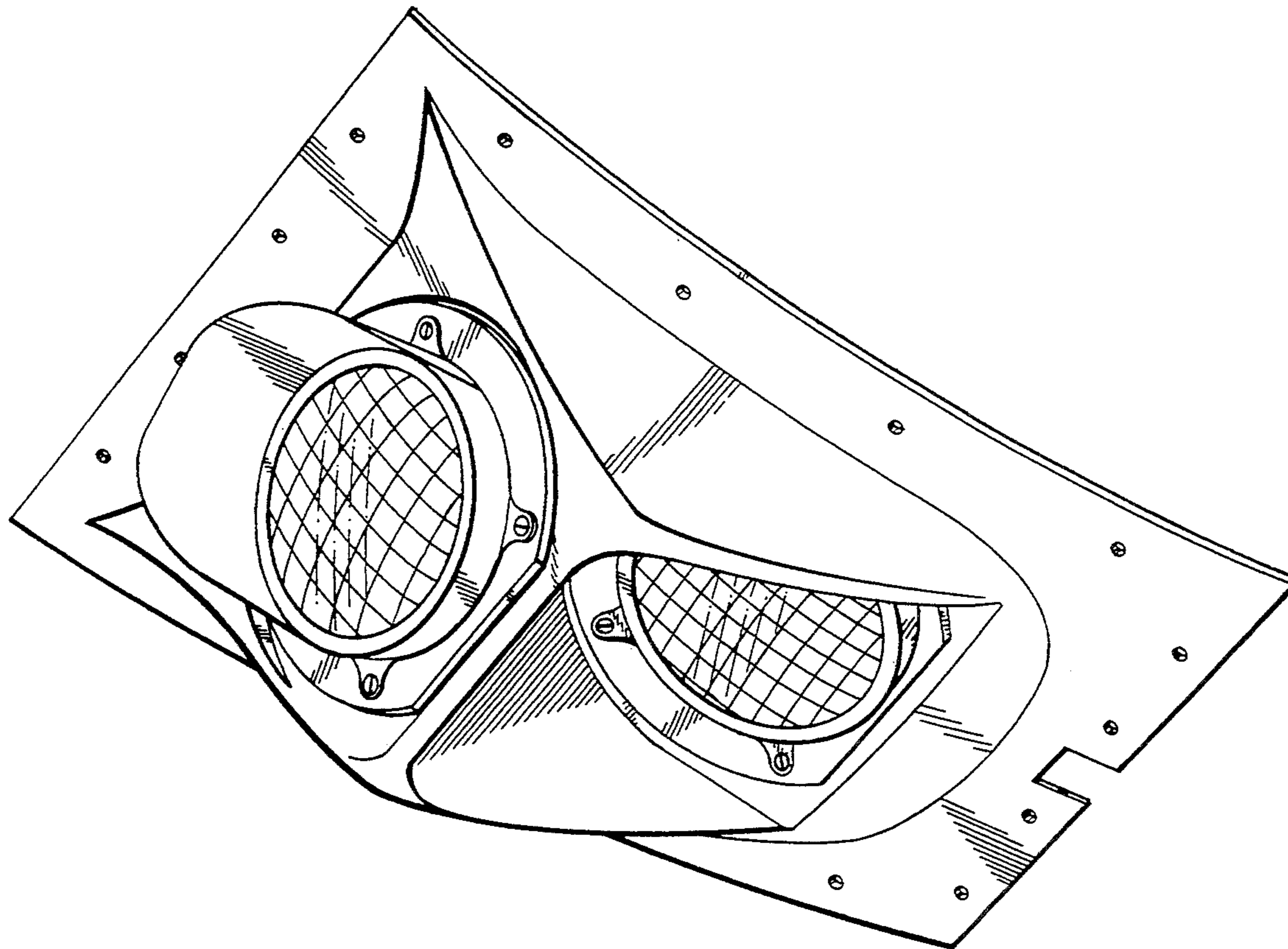
DESCRIPTION

FIG. 1 is a perspective view of a lighting fixture for helicopters showing my new design; FIG. 2 is a right side elevational view thereof; FIG. 3 is a left side elevational view thereof; FIG. 4 is a front elevational view thereof; FIG. 5 is a rear elevational view thereof; FIG. 6 is a top plan view thereof; FIG. 7 is a bottom plan view thereof; and, FIG. 8 is a front perspective view thereof, with the broken lines showing for illustrative purposes only and forming no part of the claimed design.

[56] References Cited

U.S. PATENT DOCUMENTS

Re. 22,497	6/1944	Adler, Jr.	176/34
D. 102,725	1/1937	Morgan	D26/34
D. 154,084	6/1949	Trautner	D26/28
D. 258,315	2/1981	Alsman	D26/28
D. 334,073	3/1993	Wishoff	D26/28
1,943,609	1/1934	Hyatt	240/7.7
2,019,410	11/1935	Hallman	240/7.1



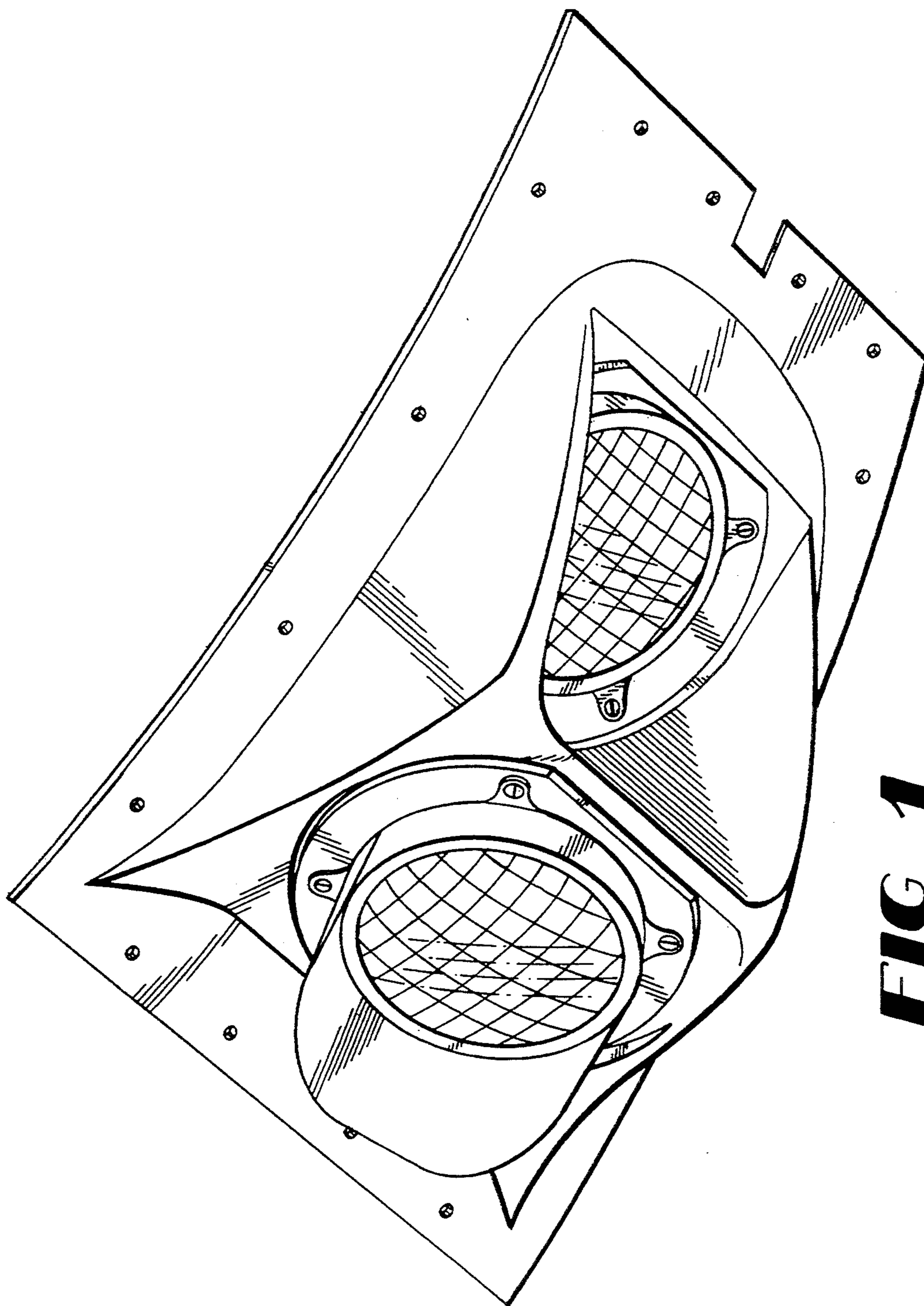


FIG 1

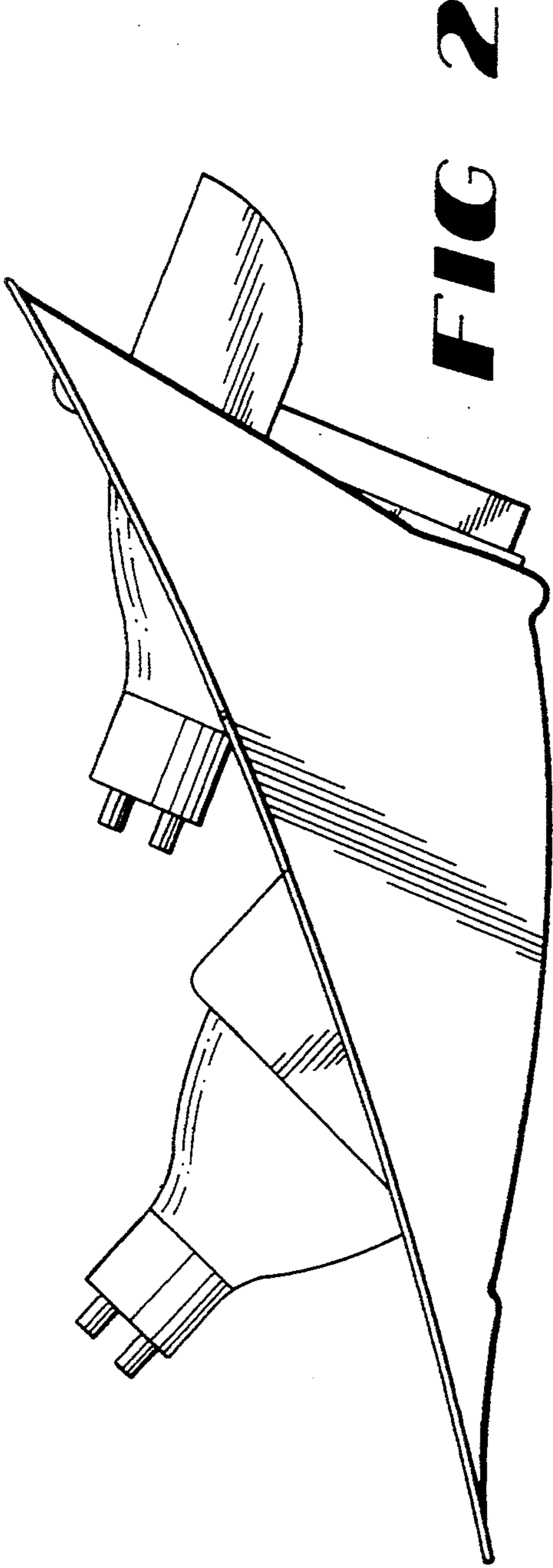


FIG 2

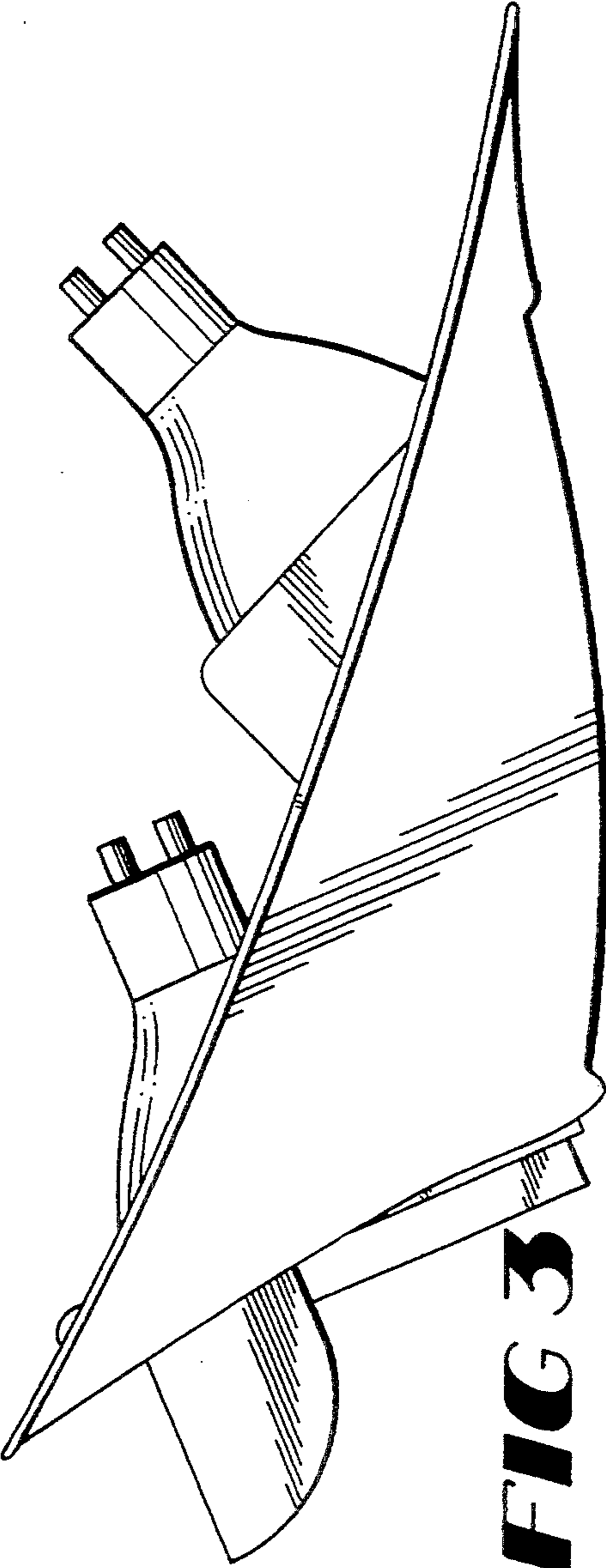


FIG 3

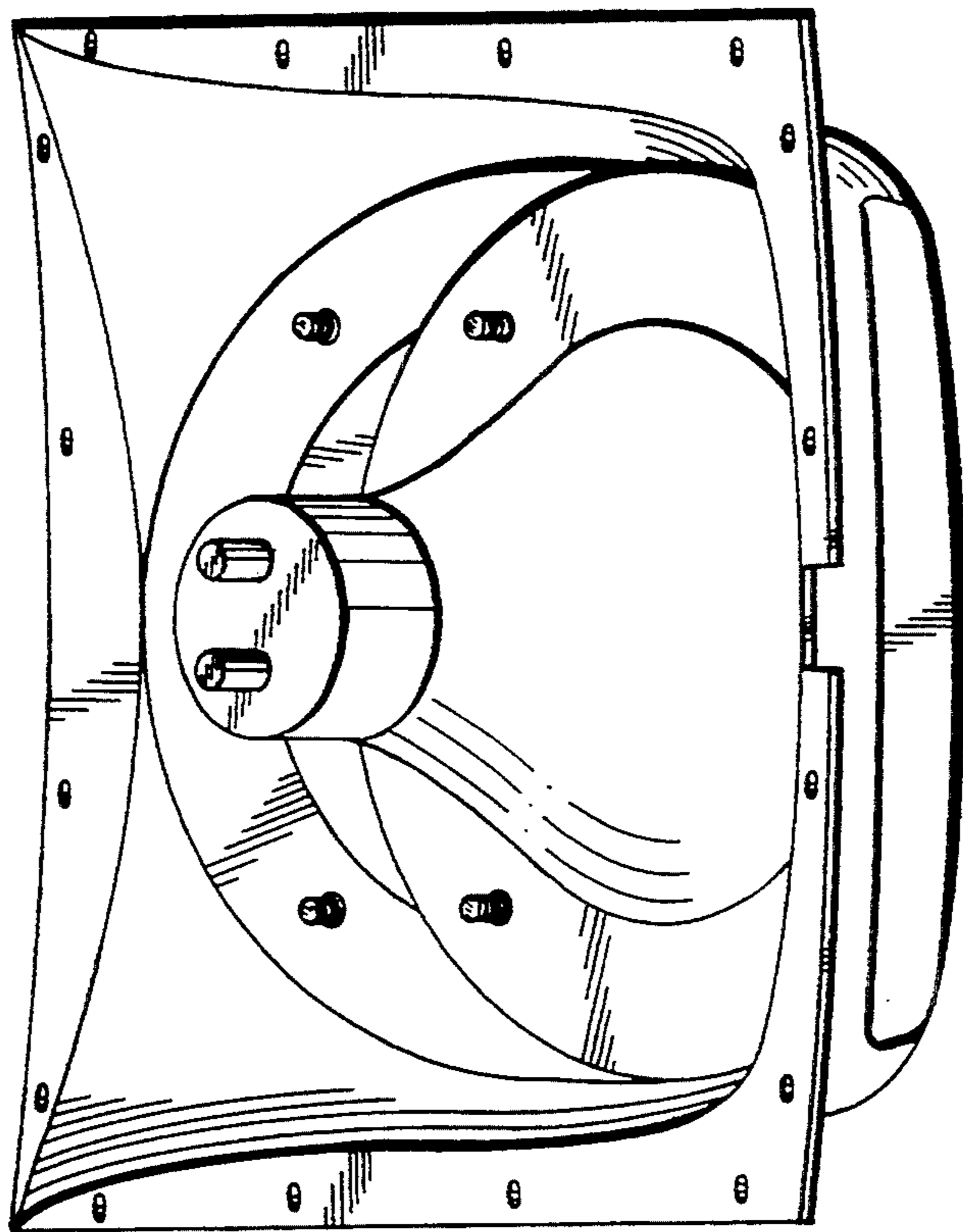


FIG 5

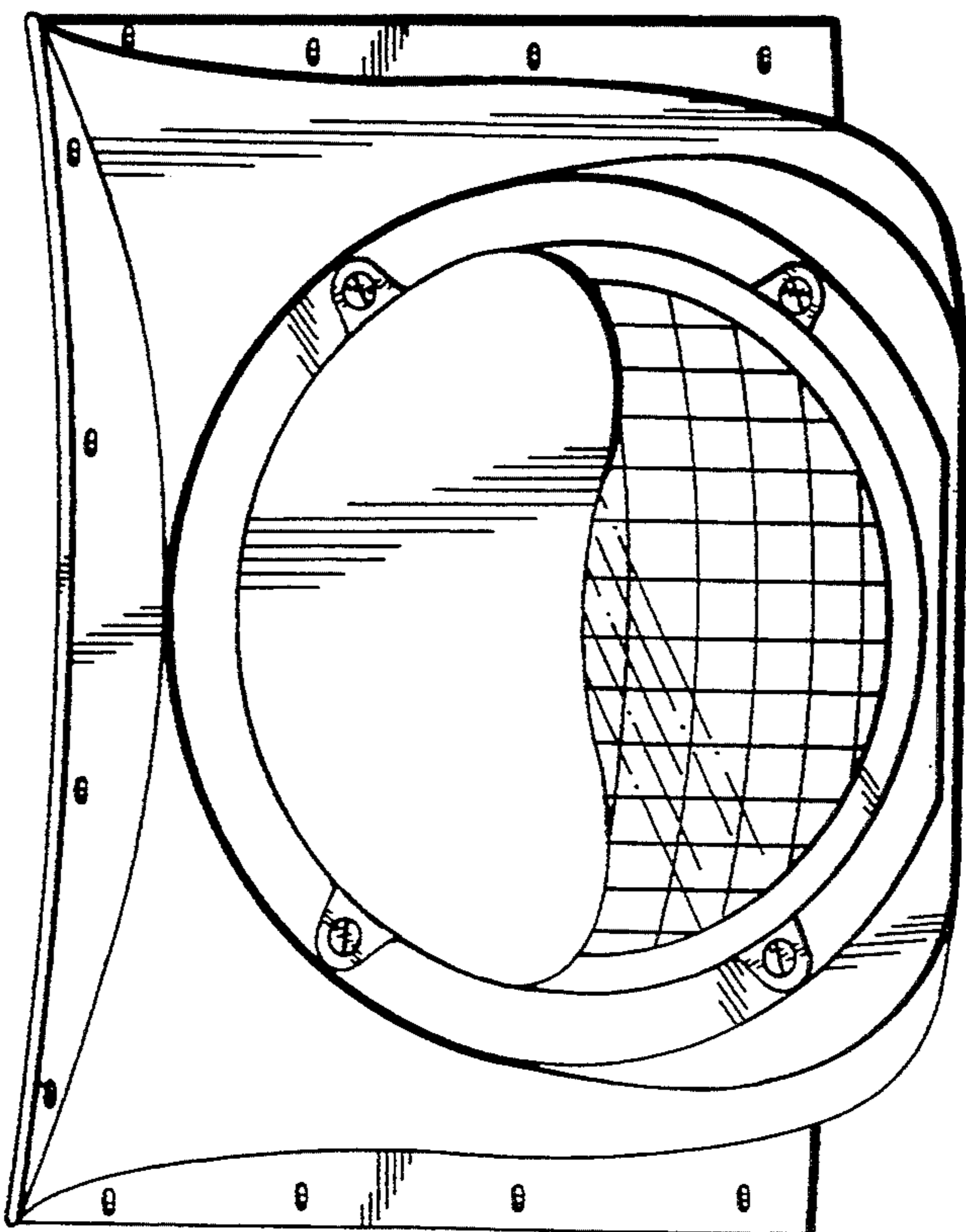


FIG 4

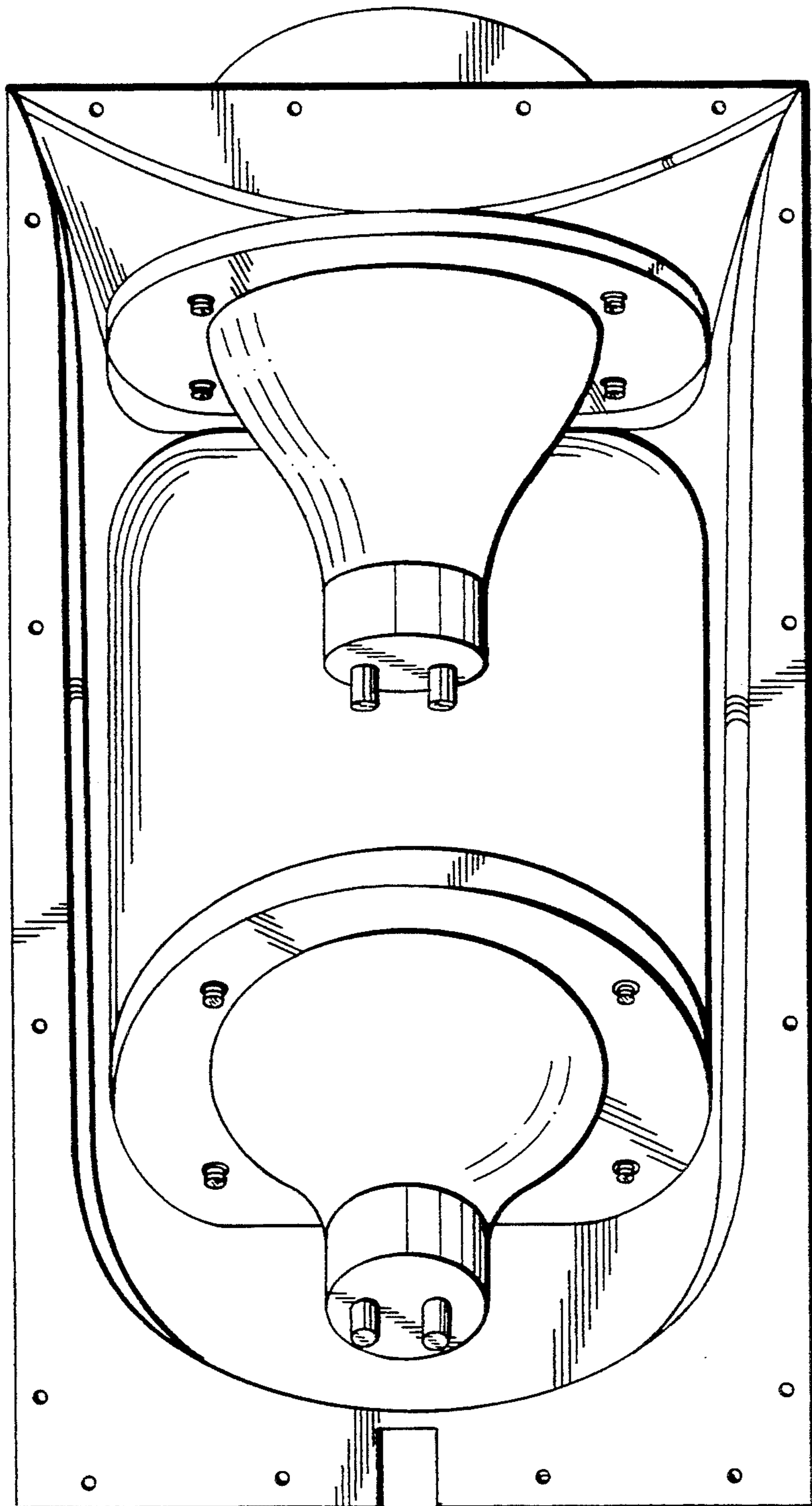


FIG 6

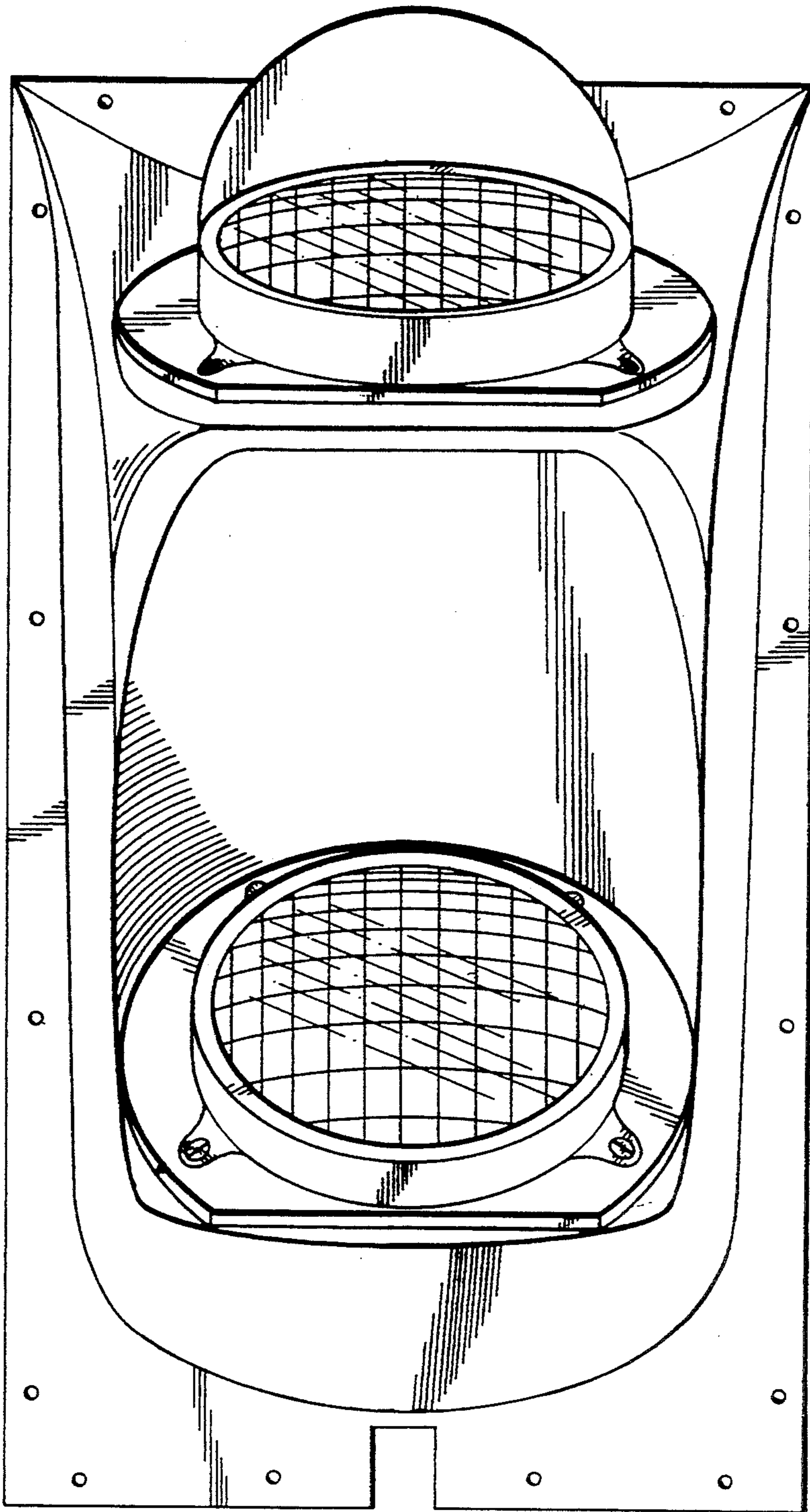


FIG 7

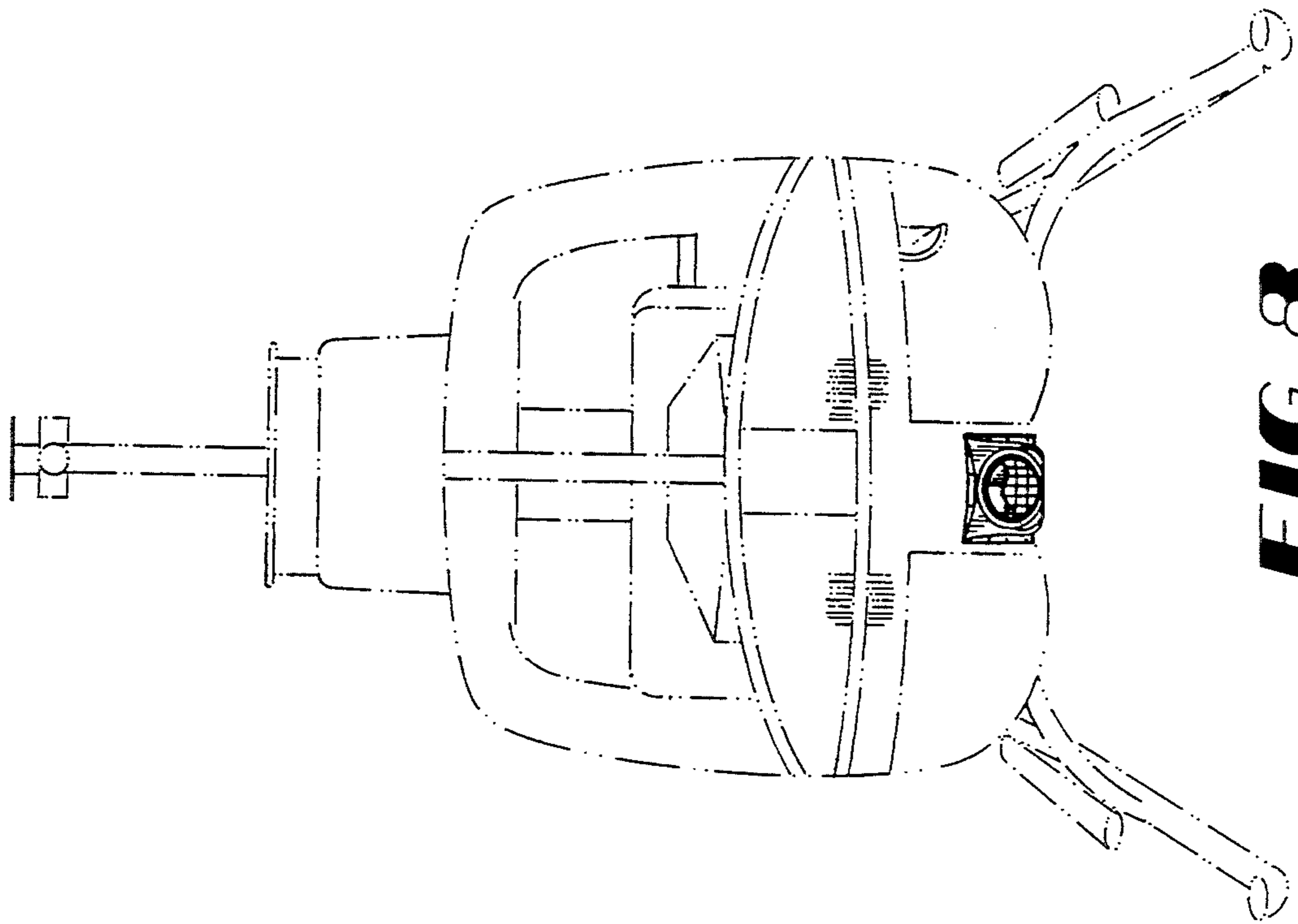


FIG 8