



US00D361140S

United States Patent [19] Cole

[11] Patent Number: **Des. 361,140**

[45] Date of Patent: **** Aug. 8, 1995**

[54] WINDOW COMPONENT EXTRUSION

[75] Inventor: **Douglas L. Cole**, Seattle, Wash.

[73] Assignee: **Mikron Industries**, Kent, Wash.

[*] Notice: The portion of the term of this patent subsequent to Jun. 29, 2007 has been disclaimed.

[**] Term: **14 Years**

[21] Appl. No.: **9,782**

[22] Filed: **Jun. 21, 1993**

[52] U.S. Cl. **D25/124**

[58] Field of Search D25/60, 52, 124;
49/DIG. 2, 504-505; 52/204.5, 204.56, 204.51,
730.3

[56] References Cited

U.S. PATENT DOCUMENTS

D. 336,962 6/1993 Cole D25/124
D. 338,721 4/1993 Cole D25/124

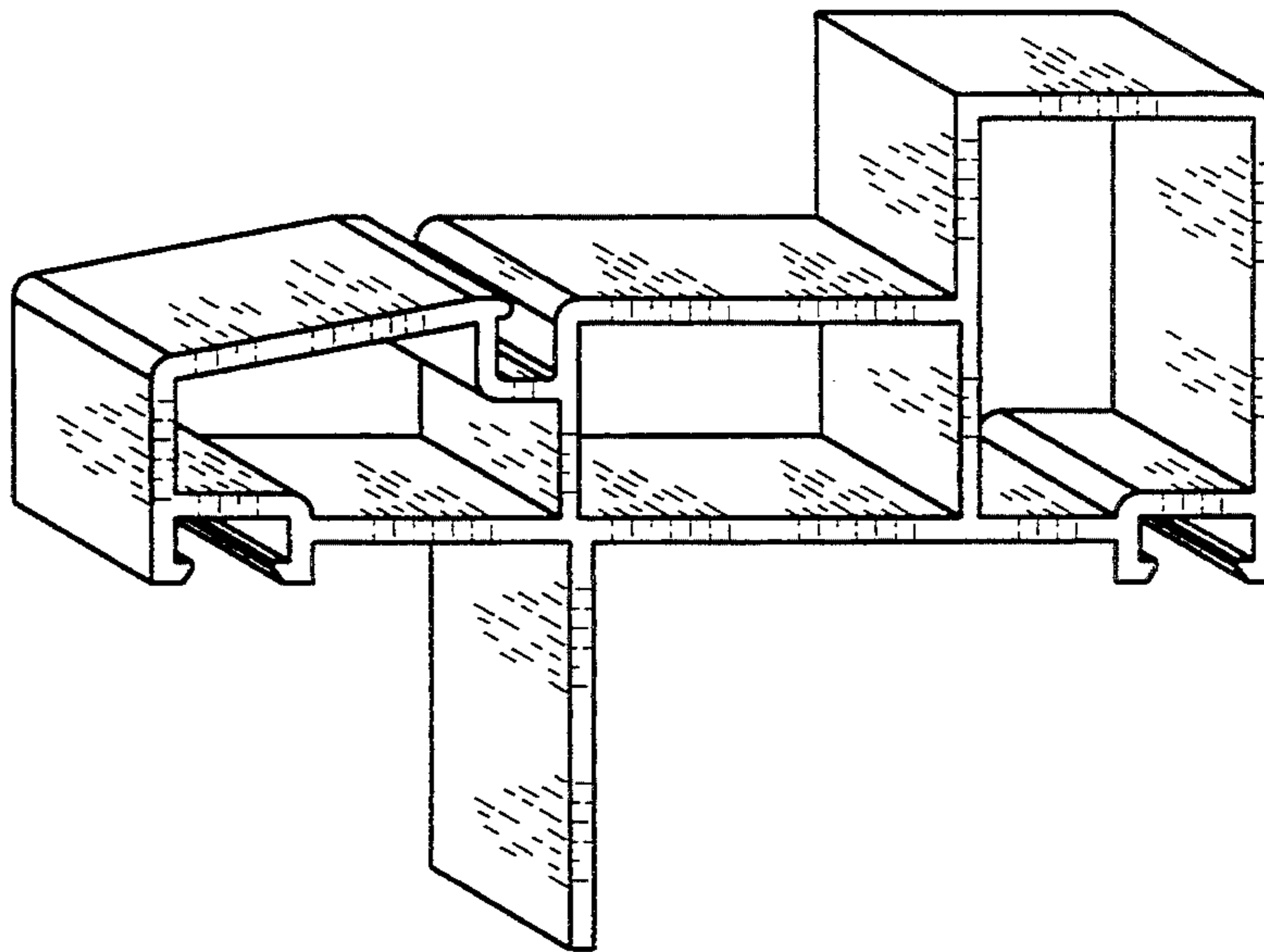
Primary Examiner—Doris Clark
Attorney, Agent, or Firm—Seed and Berry

[57] CLAIM

The ornamental design for a window component extrusion, as shown and described.

DESCRIPTION

FIG. 1 is a top right perspective view of a window component extrusion showing my new design, the window component extrusion being of indefinite length; and, FIG. 2 is a bottom left perspective view thereof.



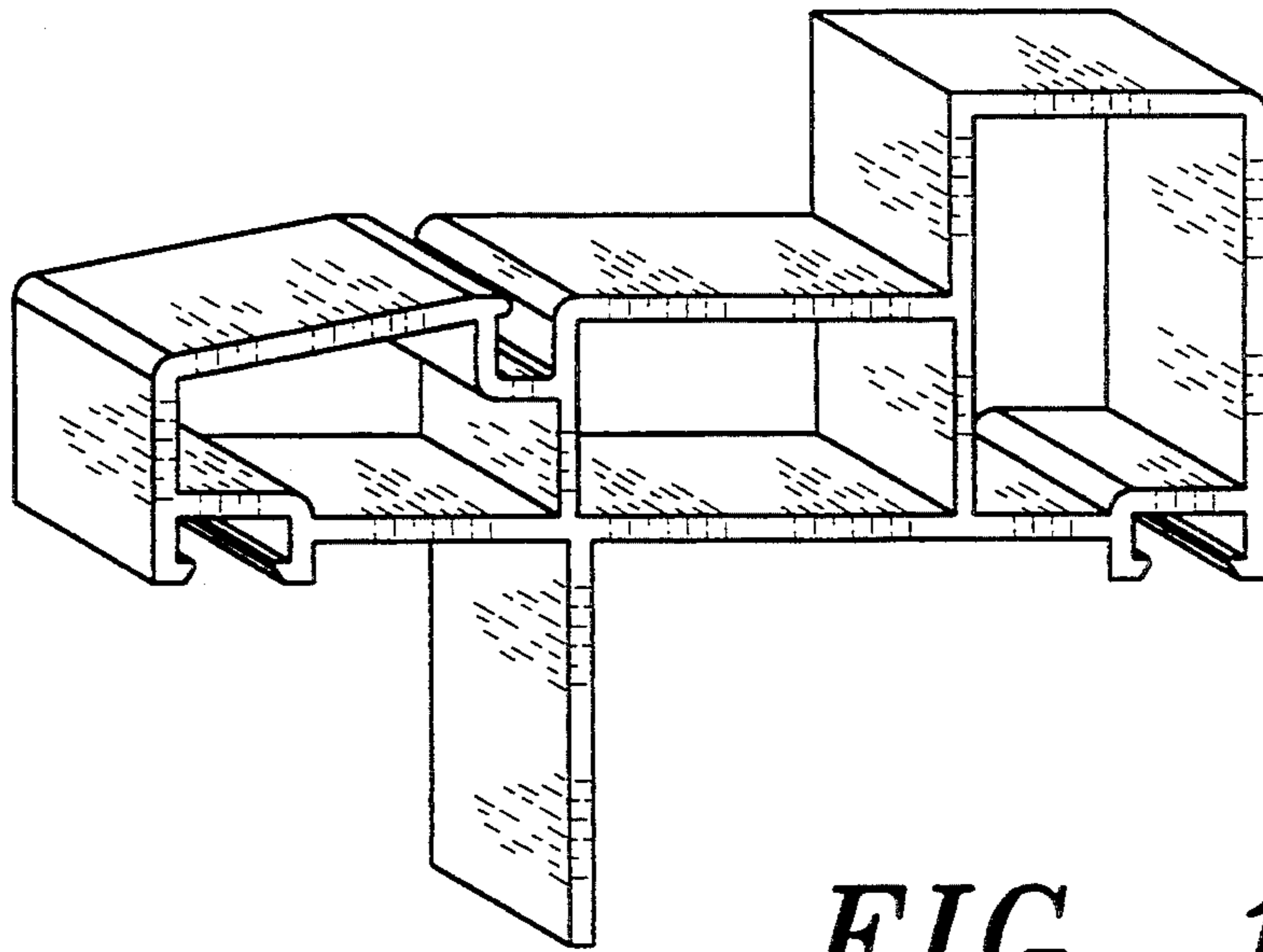


FIG. 1

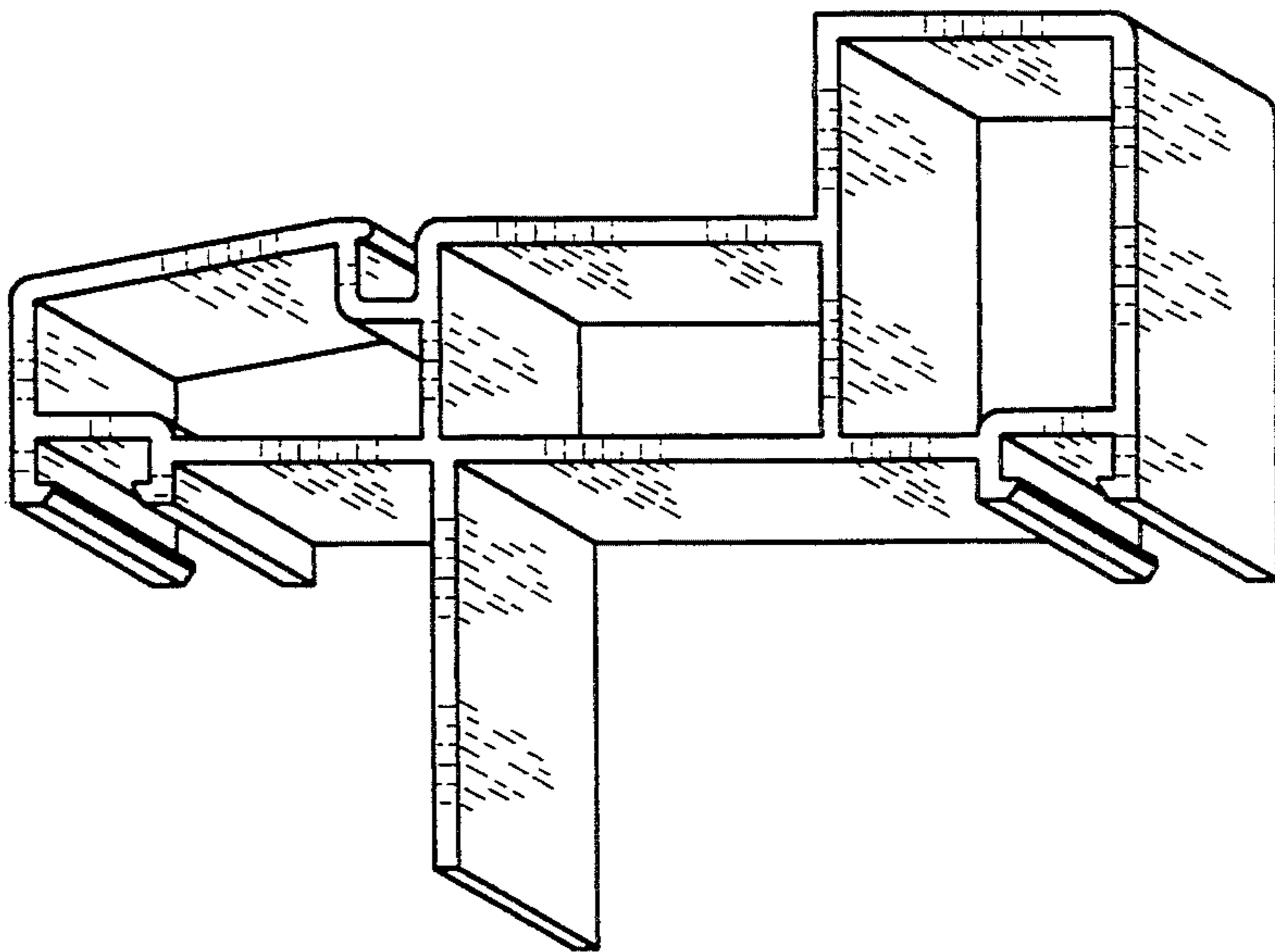


FIG. 2