



US00D361138S

United States Patent [19]

[11] Patent Number: **Des. 361,138**

Moore et al.

[45] Date of Patent: **** Aug. 8, 1995**

[54] **EXTRUDED UTILITY TRIM FOR SIDING AND SOFFIT**

[75] Inventors: **Sylvia S. Moore, Daniel W. King, Thomas A. Gates**, all of Sidney, Ohio

[73] Assignee: **Aluminum Company of America**, Pittsburgh, Pa.

[**] Term: **14 Years**

[21] Appl. No.: **27,811**

[22] Filed: **Aug. 30, 1994**

[52] U.S. Cl. **D25/119**

[58] Field of Search **D25/119, 164; 52/716.1, 52/716.4, 717.6, 718.1, 718.4, 290, 273, 244, 556**

[56] **References Cited**

U.S. PATENT DOCUMENTS

- D. 288,369 2/1987 Lynch .
- D. 316,299 4/1991 Hurlburt .
- D. 342,579 12/1993 Mason D25/119

- 1,318,125 10/1919 Zimecaelmann 52/556
- 2,888,684 6/1959 Icenhower 52/718.04
- 3,187,464 6/1965 Sharp 52/716.1
- 3,606,714 9/1971 Arnett .
- 3,834,109 9/1974 Iacona D25/119
- 4,858,405 8/1989 Christie .
- 5,222,343 6/1993 Anderson 52/718.04

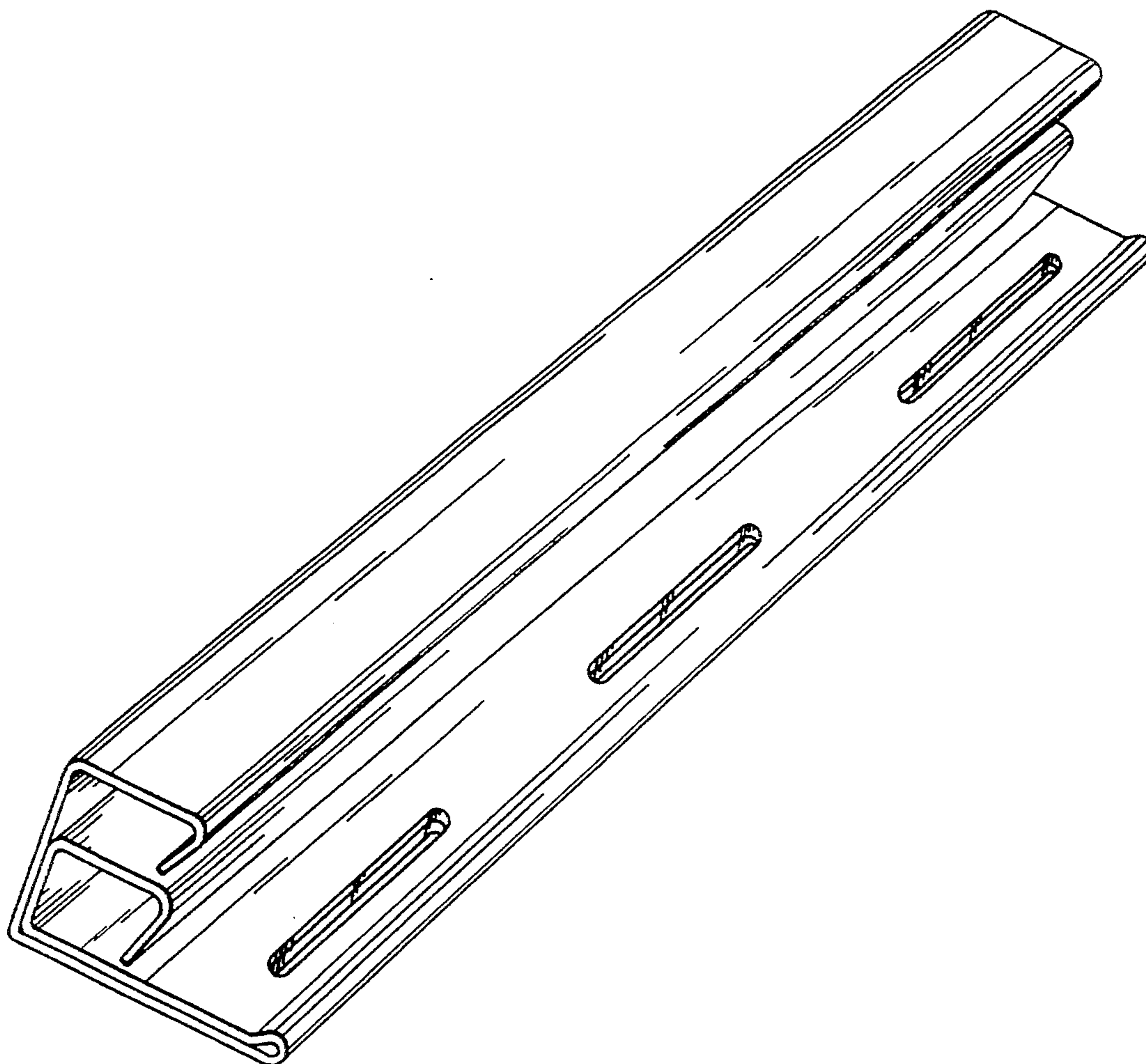
Primary Examiner—Doris Clark
Attorney, Agent, or Firm—Glenn E. Klepac

[57] **CLAIM**

The ornamental design for an extruded utility trim for siding and soffit, as shown and described.

DESCRIPTION

FIG. 1 is a perspective view of an extruded utility trim for siding and soffit showing our new design; FIG. 2 is a side elevational view thereof; FIG. 3 is a rear view thereof; FIG. 4 is a top view thereof; and, FIG. 5 is a front view thereof.



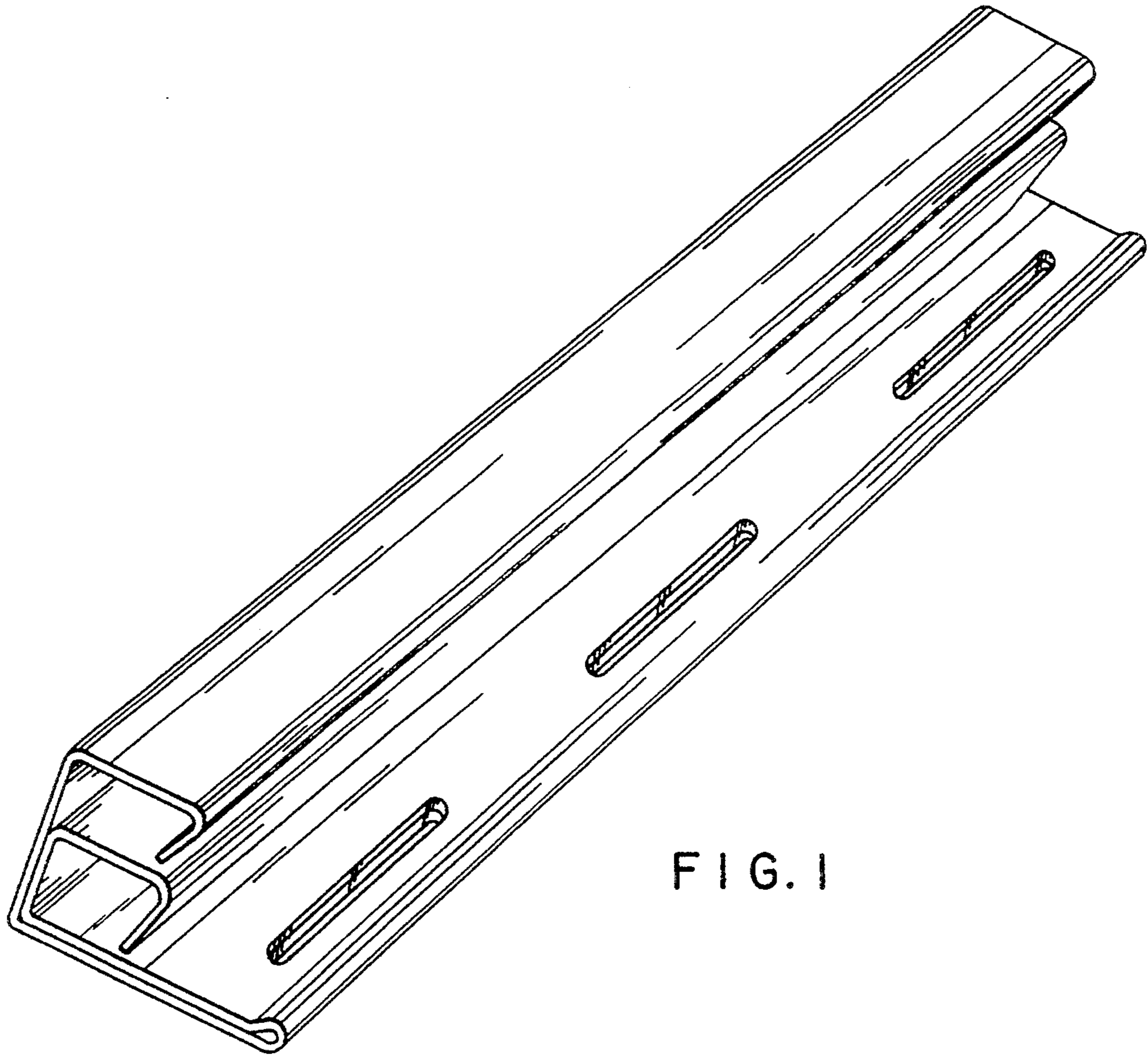


FIG. 1

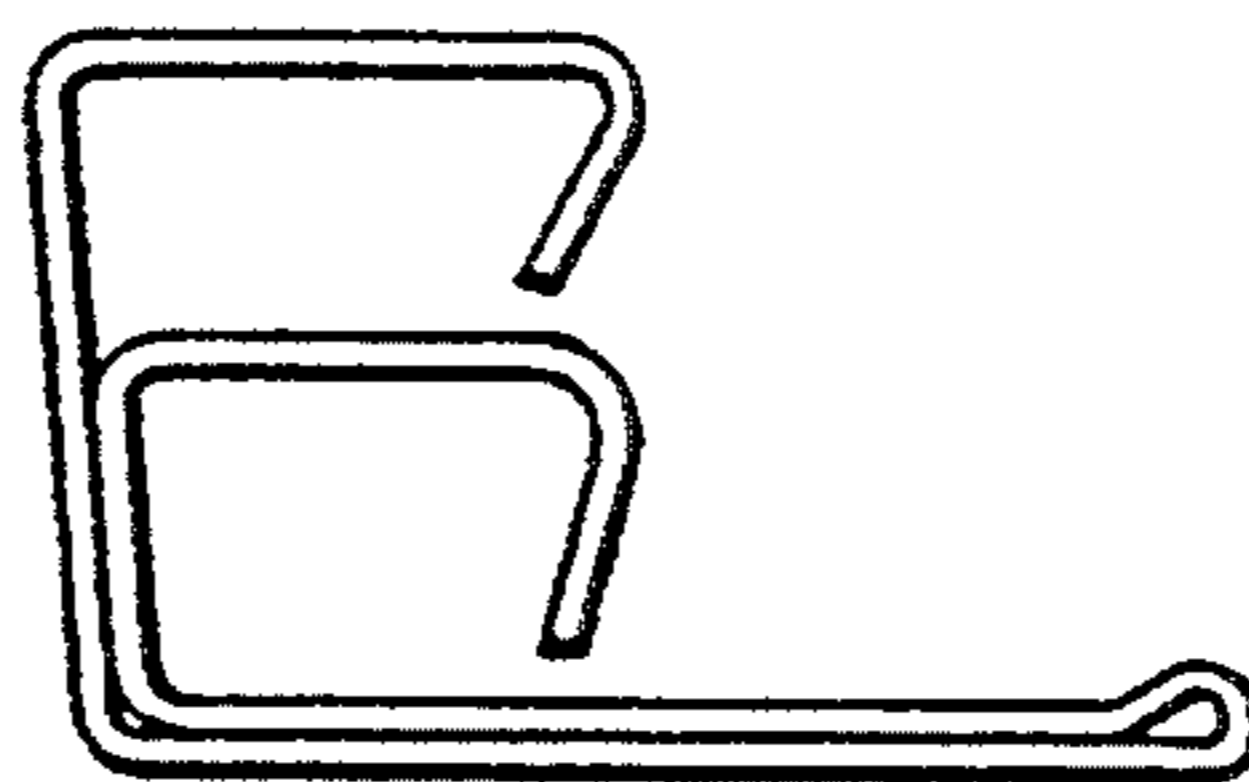


FIG. 2

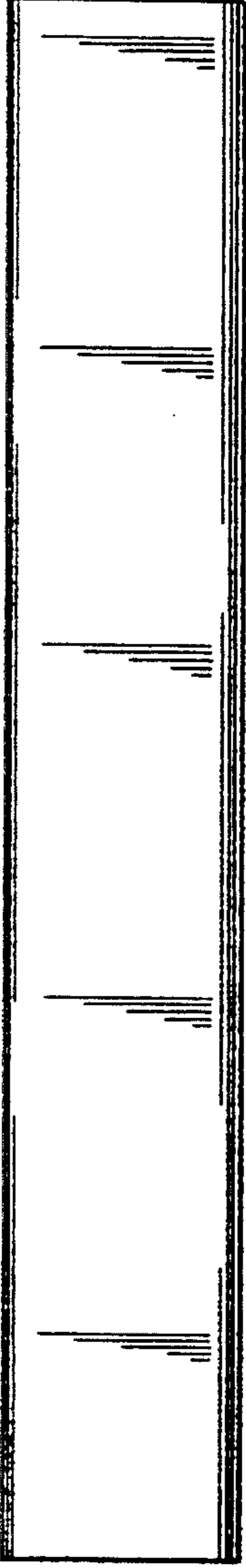


FIG. 3

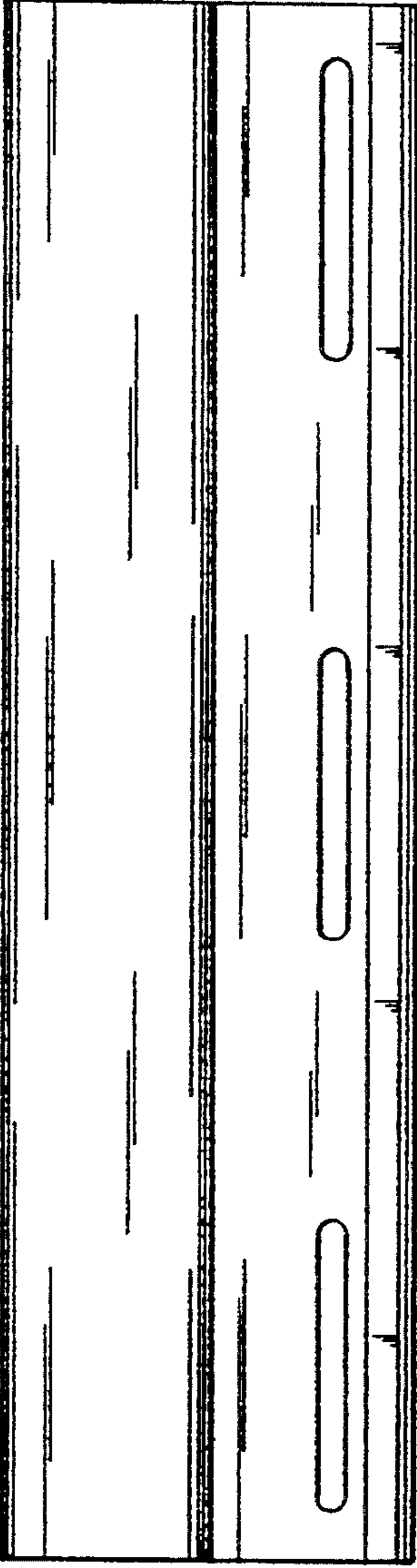


FIG. 4



FIG. 5