



US00D361133S

# United States Patent [19]

[11] Patent Number: **Des. 361,133**

Robertson et al.

[45] Date of Patent: **\*\* Aug. 8, 1995**

## [54] ROLLING SWIVEL HANDGRIP MASSAGER

[75] Inventors: **Jim Robertson**, Chicago, Ill.; **Ira Hajjar**, Hattiesburg; **Donald Ivy**, Waynesboro, both of Miss.

[73] Assignee: **Sunbeam Corporation**, Fort Lauderdale, Fla.

[\*\*] Term: **14 Years**

[21] Appl. No.: **29,124**

[22] Filed: **Sep. 29, 1994**

[52] U.S. Cl. .... **D24/211; D24/214**

[58] Field of Search ..... **D24/211, 200, 212, 214, D24/215; 601/119, 120, 73, 26**

## [56] References Cited

### U.S. PATENT DOCUMENTS

D. 182,123	2/1958	Kaliski .	
D. 276,652	12/1984	O'Brien et al. .	
D. 285,724	9/1986	Grundler et al. .	
D. 293,471	12/1987	Sato .	
1,103,669	7/1914	Gibbs .....	601/20
1,111,427	9/1914	Archibald .....	601/119
2,273,710	2/1942	Klaes .....	601/119

*Primary Examiner*—Stella Reid

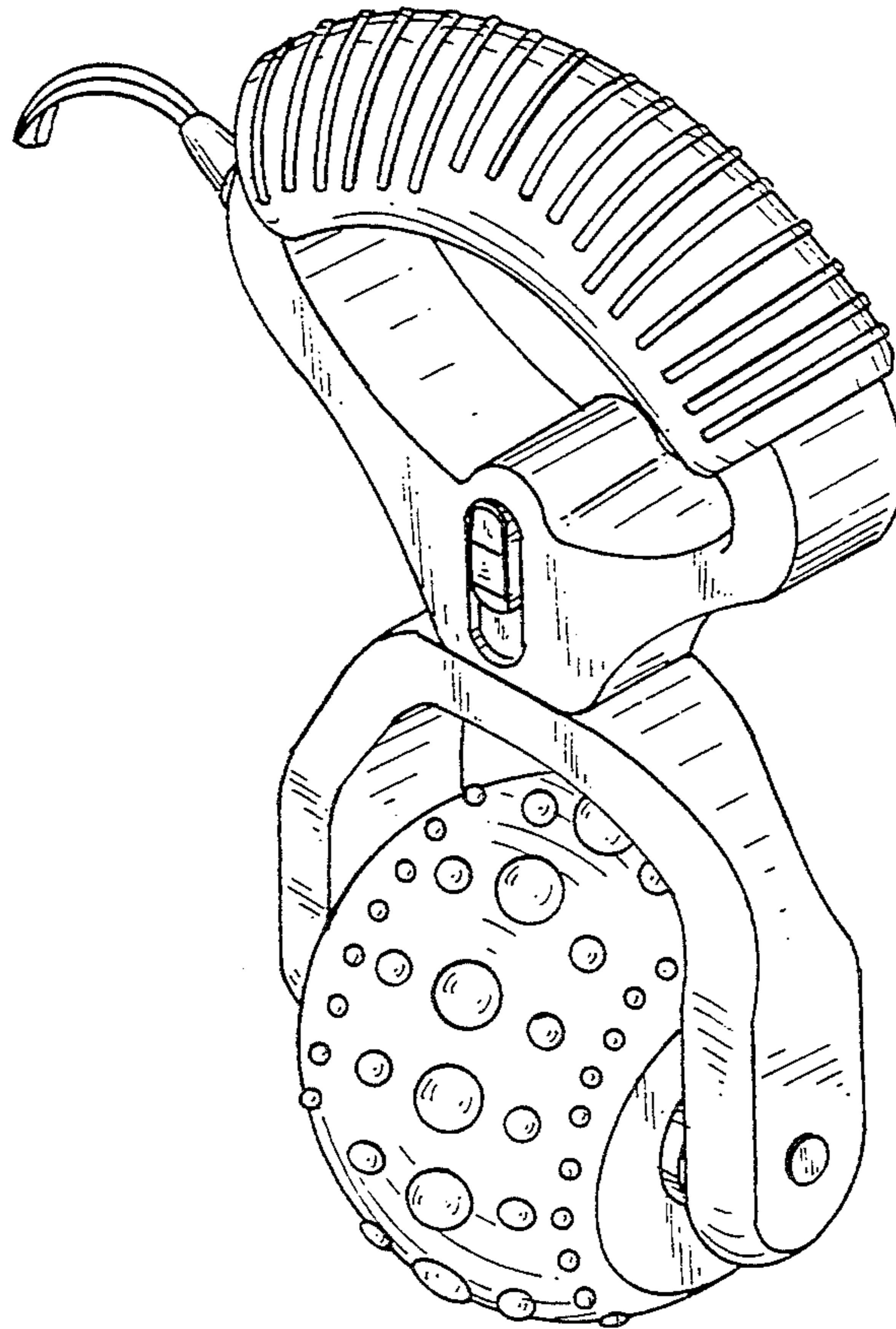
*Attorney, Agent, or Firm*—Michael J. Kline; Darren E. Wolf

## [57] CLAIM

The ornamental design for a rolling swivel handgrip massager, as shown and described.

## DESCRIPTION

FIG. 1 is an isometric view of a massager in accordance with the present invention;  
 FIG. 2 is a top plan view of the massager of FIG. 1;  
 FIG. 3 is a bottom plan view of the massager of FIG. 1;  
 FIG. 4 is a left side elevational view of the massager of FIG. 1;  
 FIG. 5 is a right side elevational view of the massager of FIG. 1;  
 FIG. 6 is a front side elevational view of the massager of FIG. 1;  
 FIG. 7 is a rear side elevational view of the massager of FIG. 1;  
 FIG. 8 is a top plan view of the massager of FIG. 1 with the handle means rotated 90°;  
 FIG. 9 is a bottom plan view of the massager of FIG. 1 with the handle means rotated 90°;  
 FIG. 10 is a left side elevational view of the massager of FIG. 1 with the handle means rotated 90°;  
 FIG. 11 is a right side elevational view of the massager of FIG. 1 with the handle means rotated 90°;  
 FIG. 12 is a front elevational view of the massager of FIG. 1 with the handle means rotated 90°; and,  
 FIG. 13 is a rear elevational view of the massager of FIG. 1 with the handle means rotated 90°.



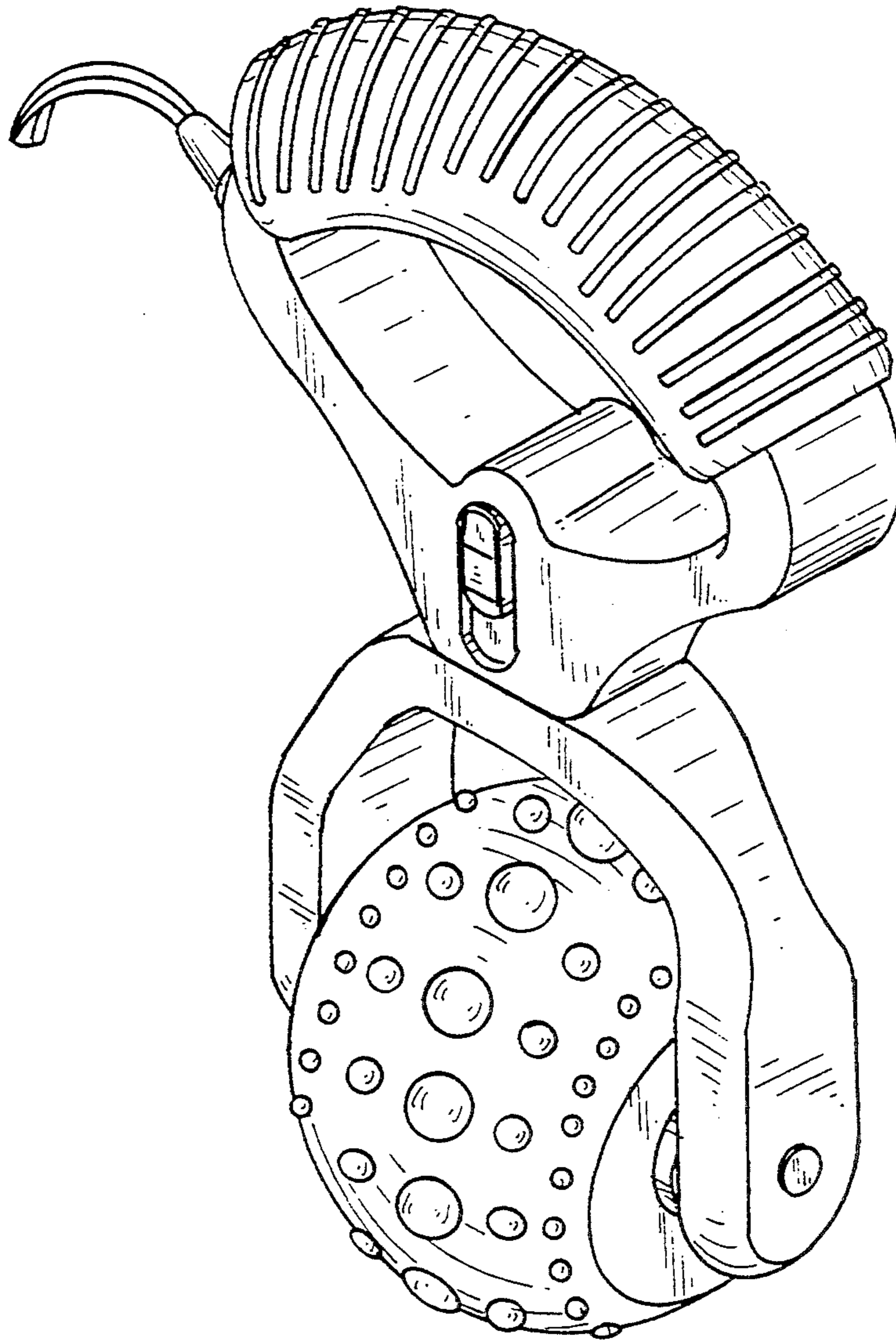


FIG. 1

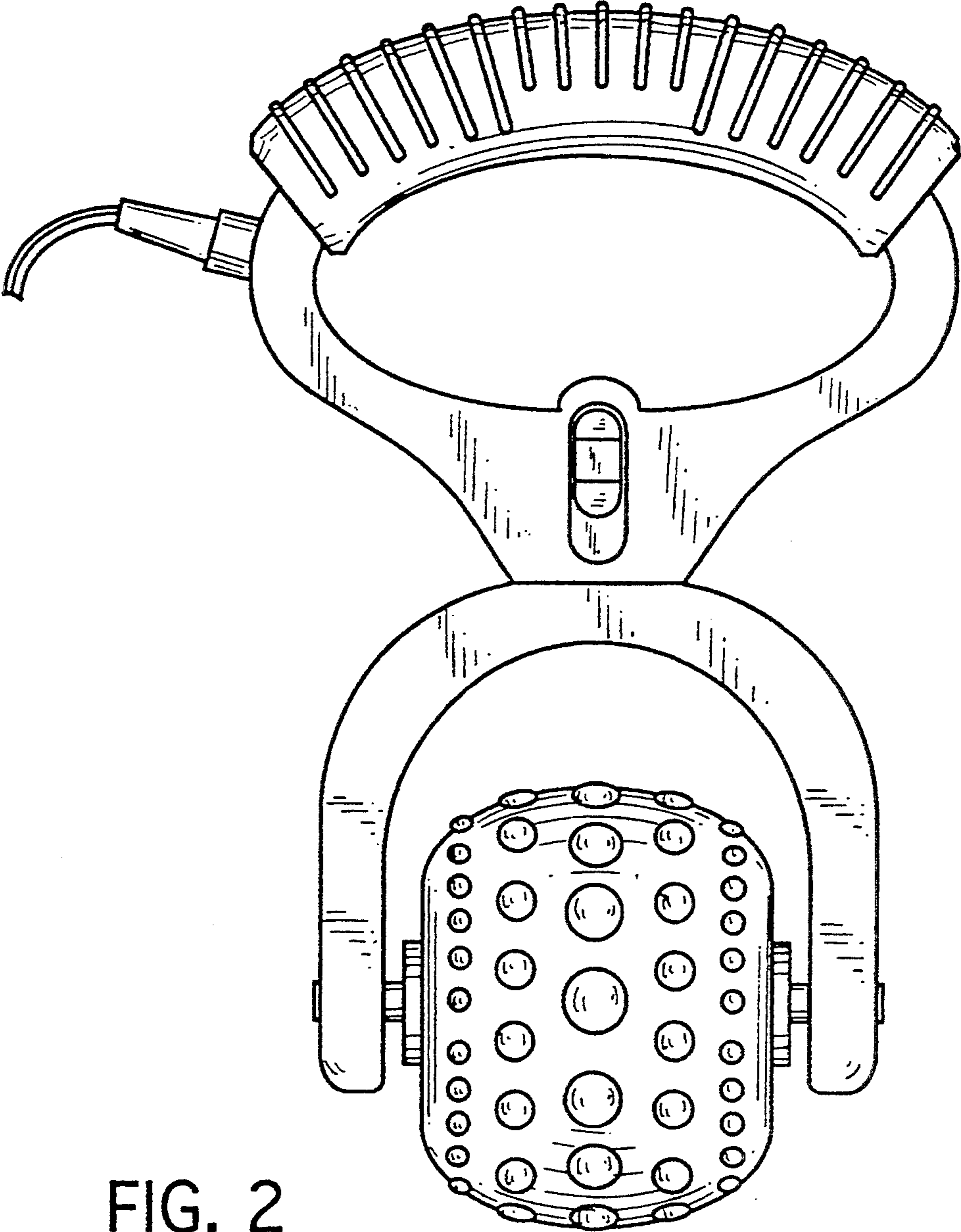


FIG. 2

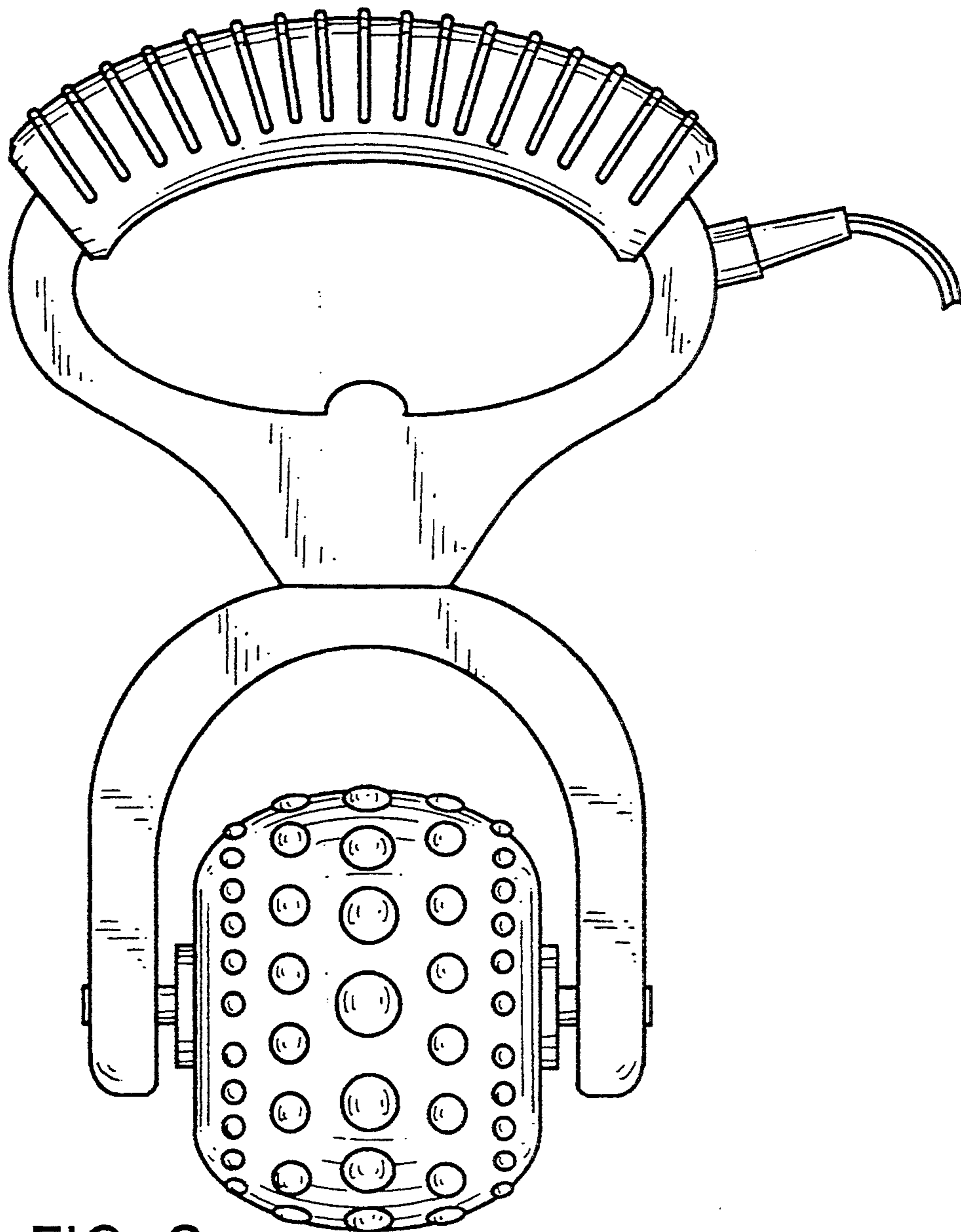


FIG. 3

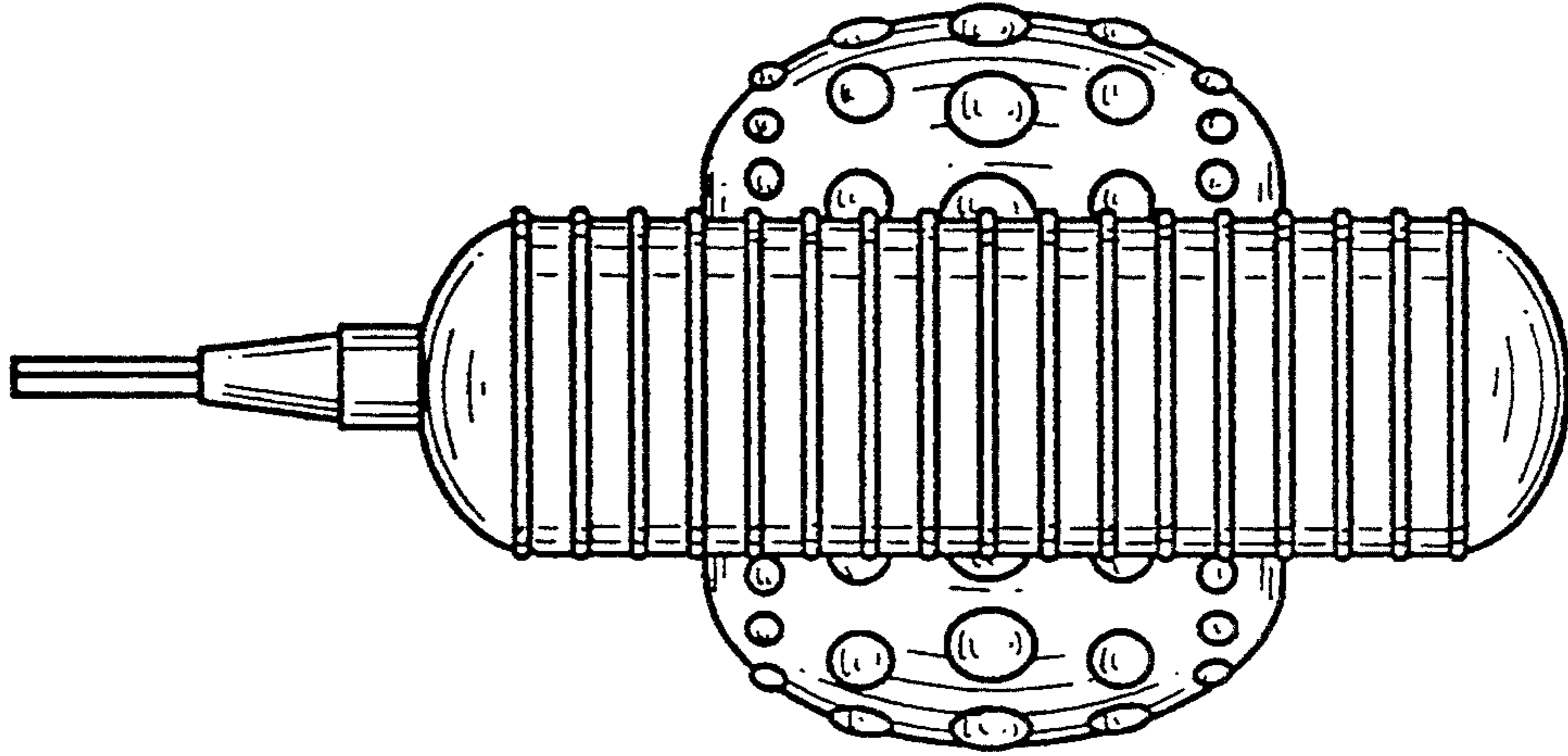


FIG. 4

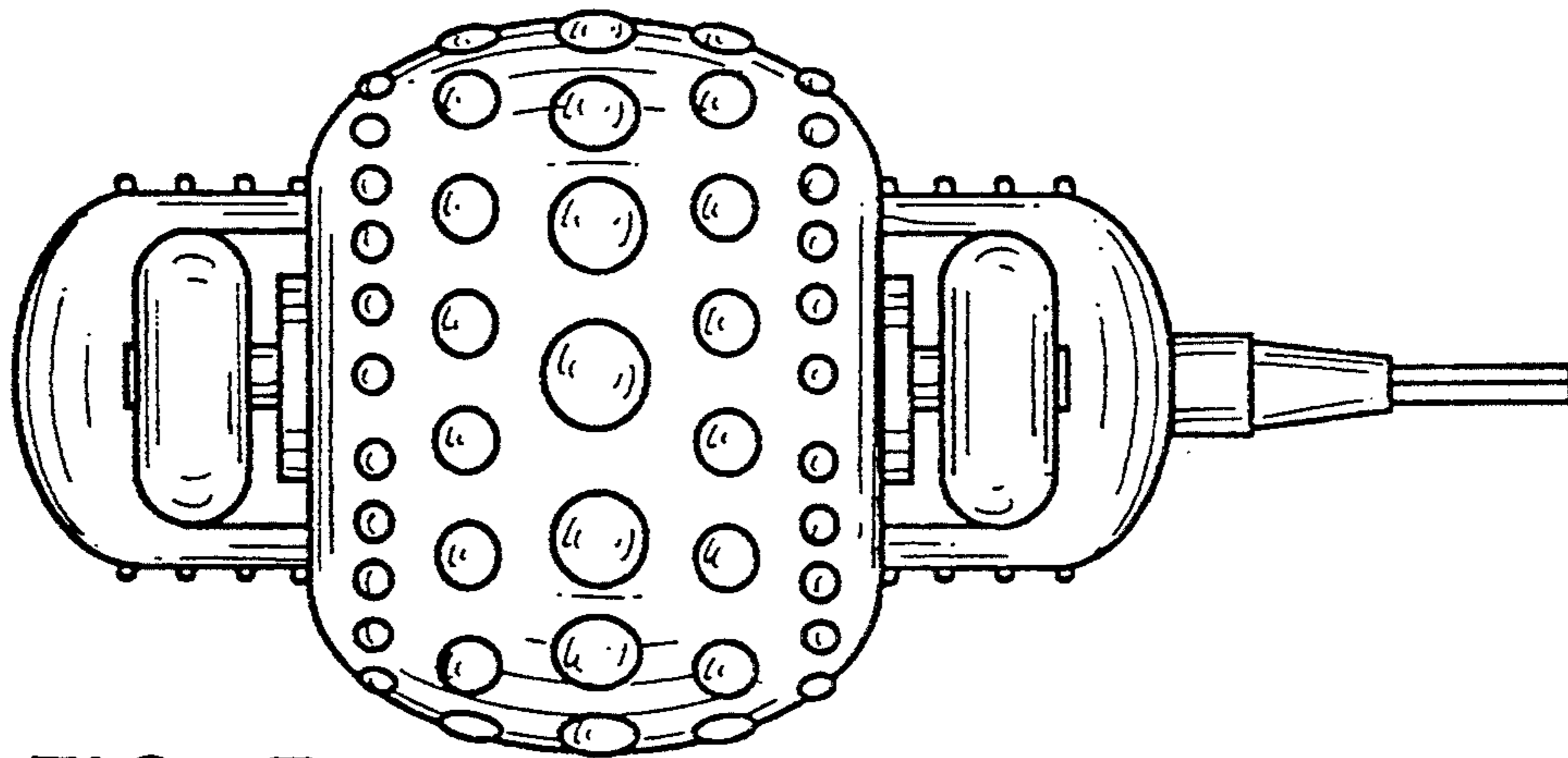


FIG. 5

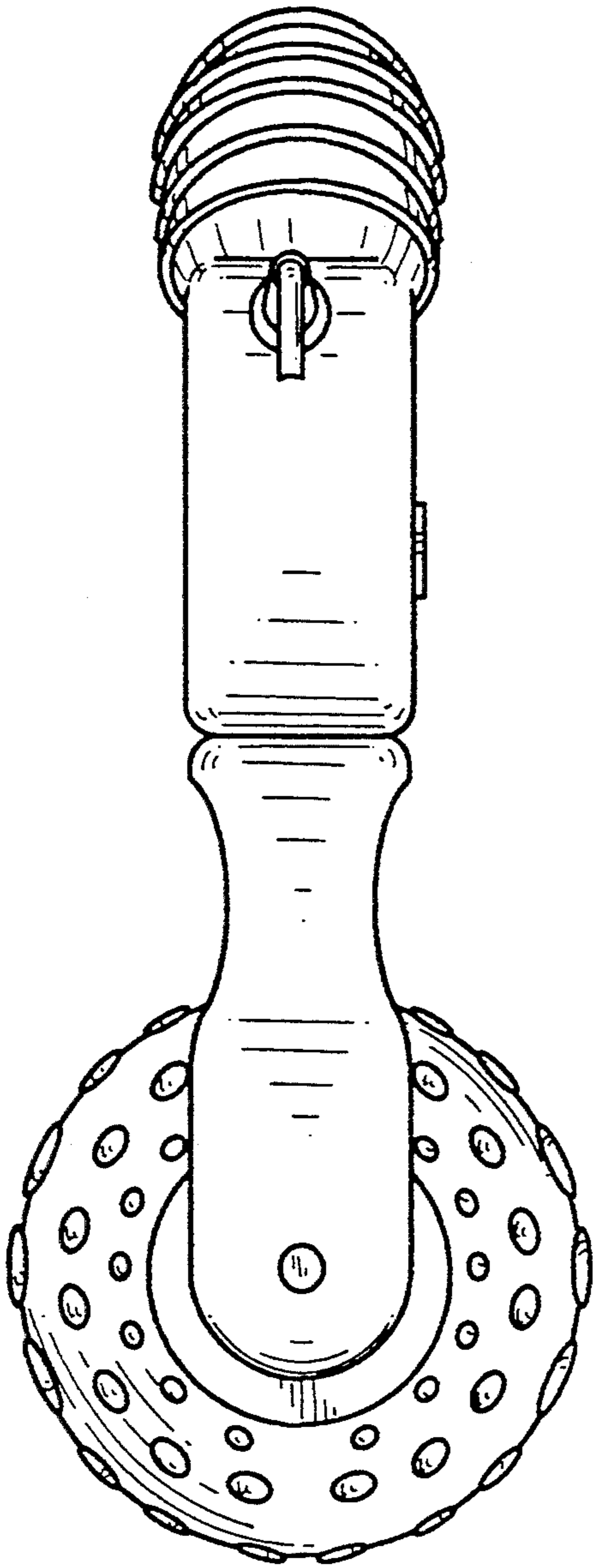


FIG. 6

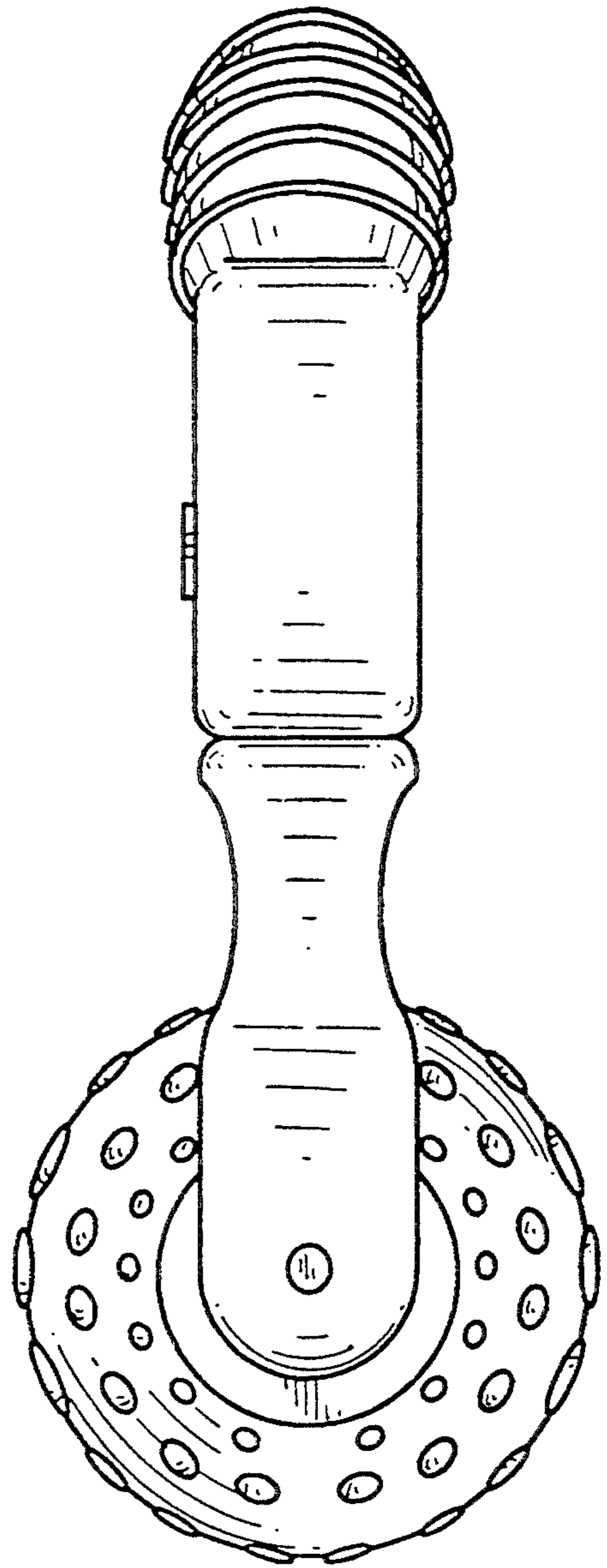


FIG. 7

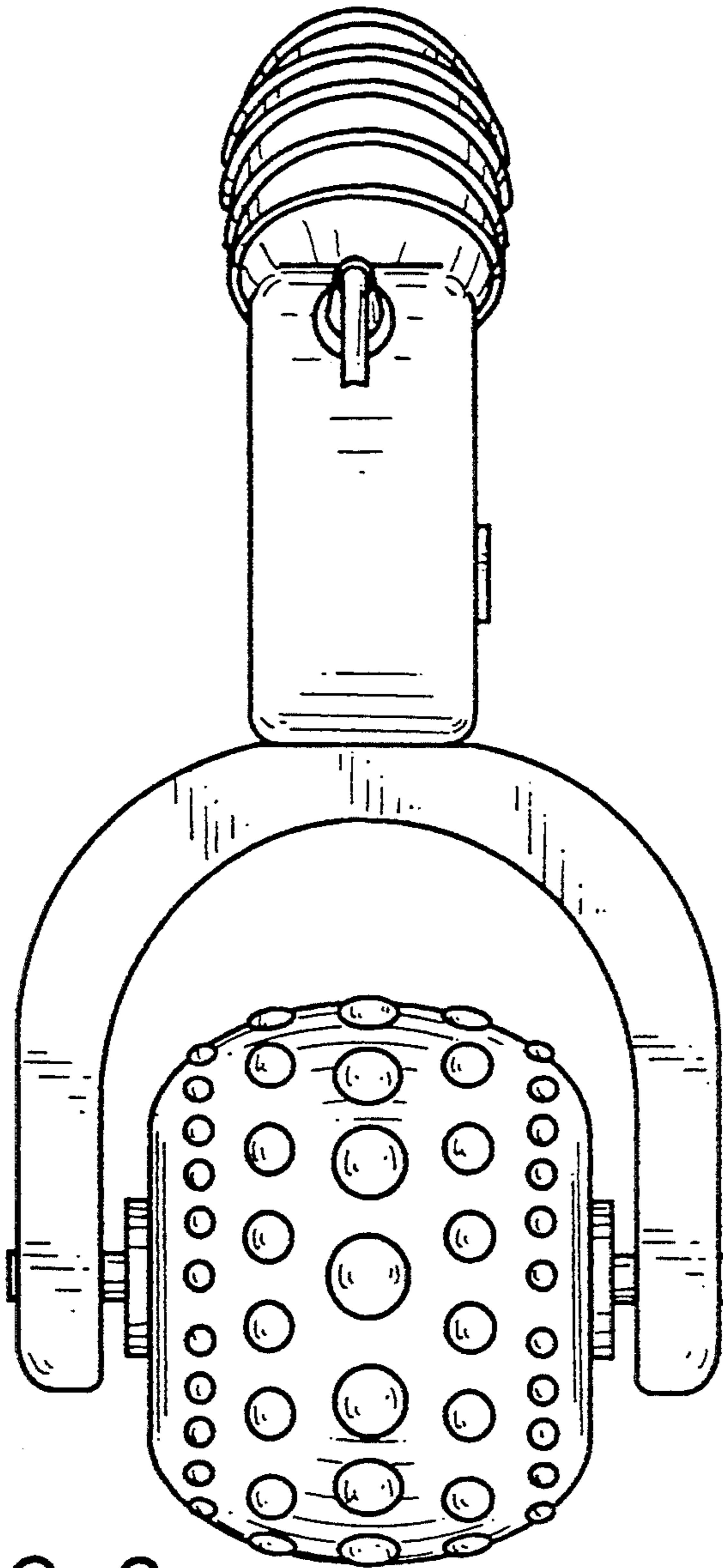


FIG. 8

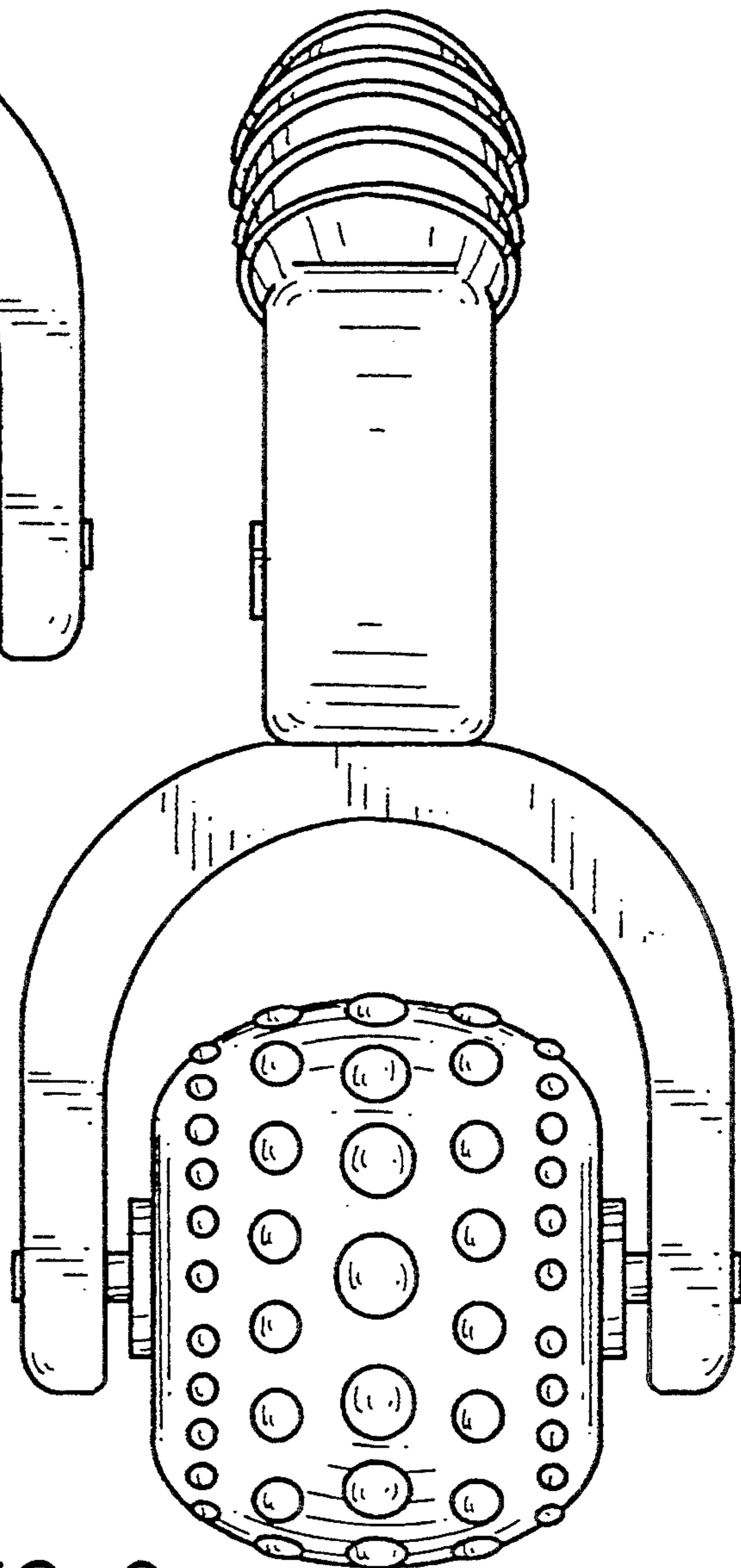


FIG. 9

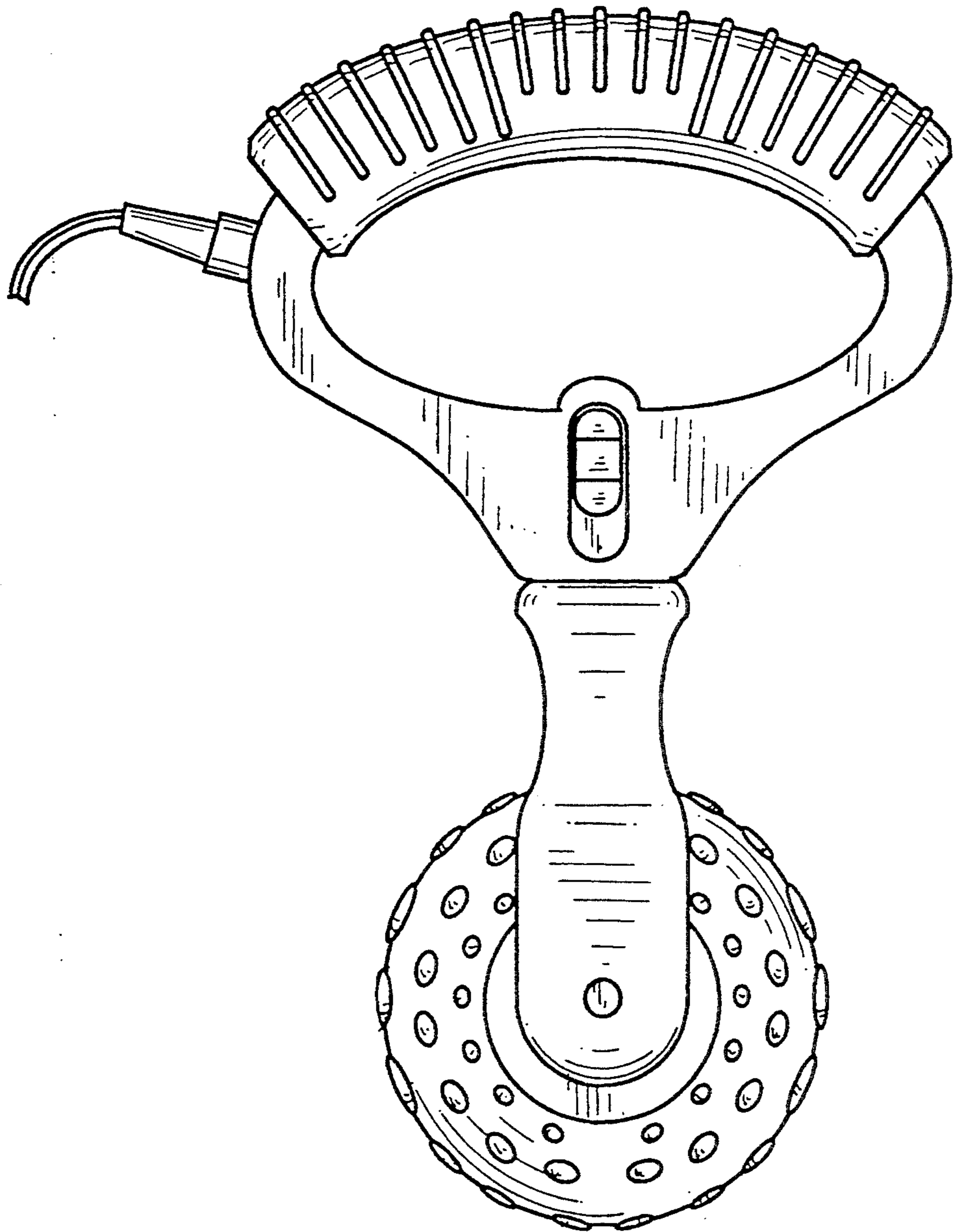


FIG. 10



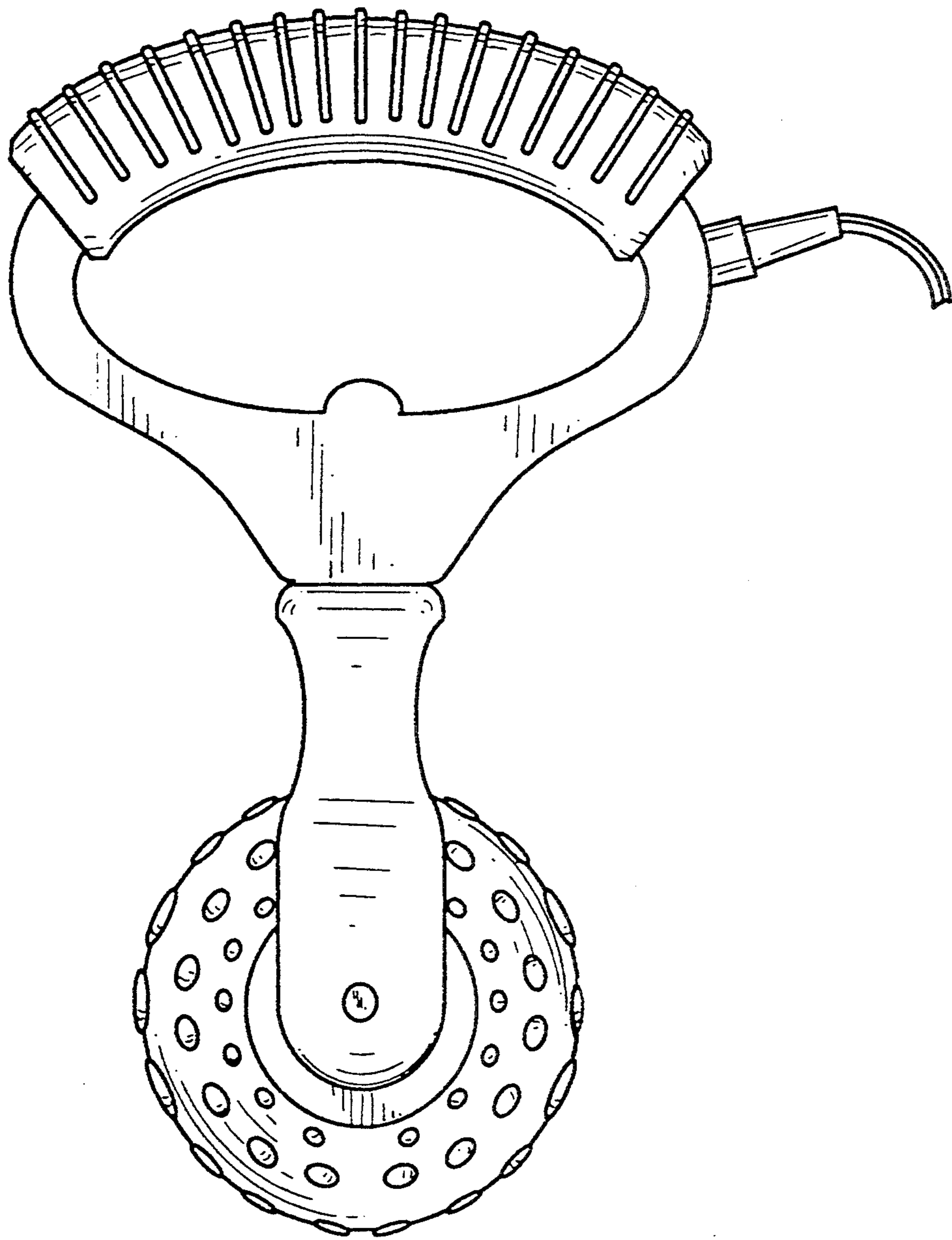


FIG. 11

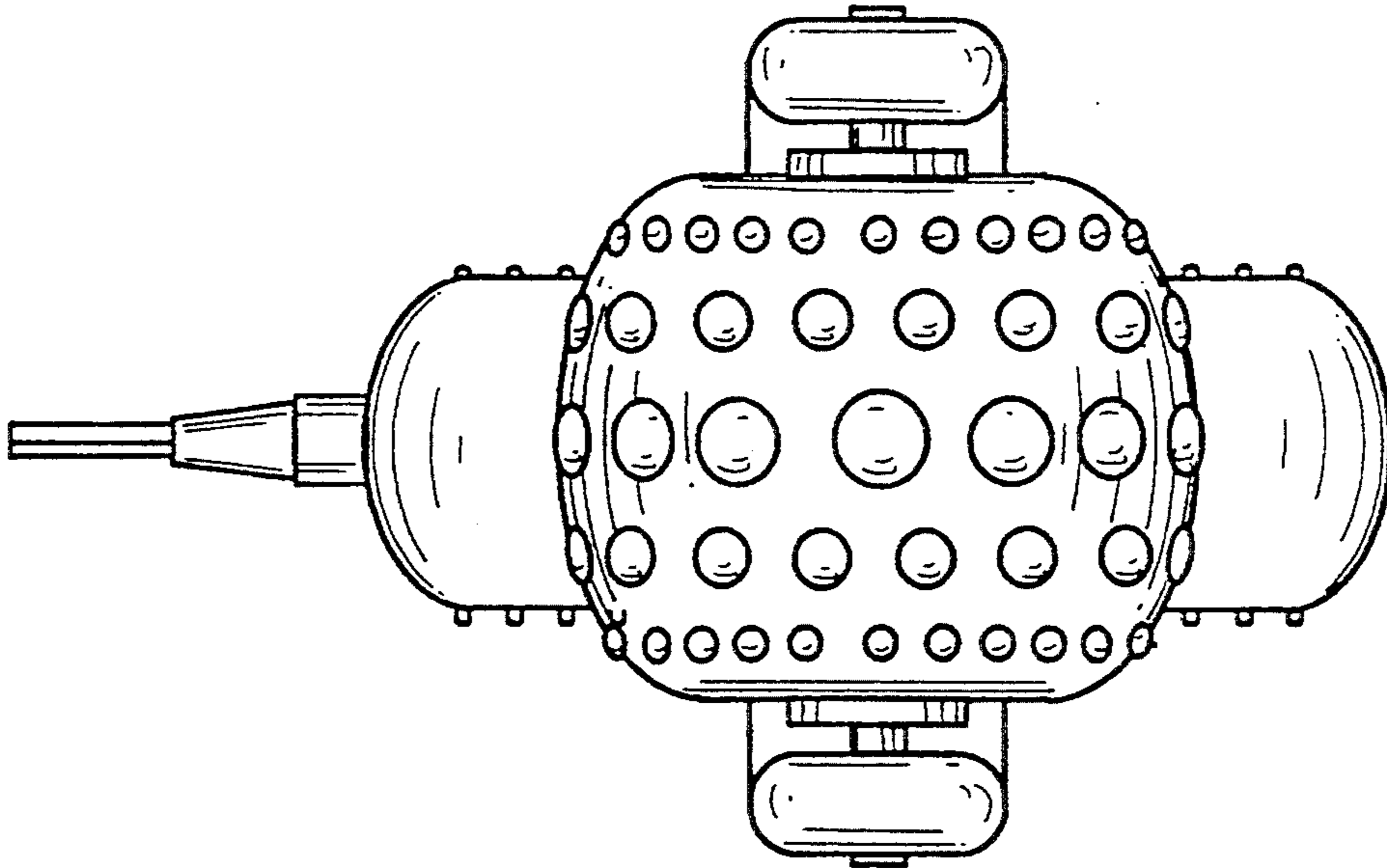


FIG. 13

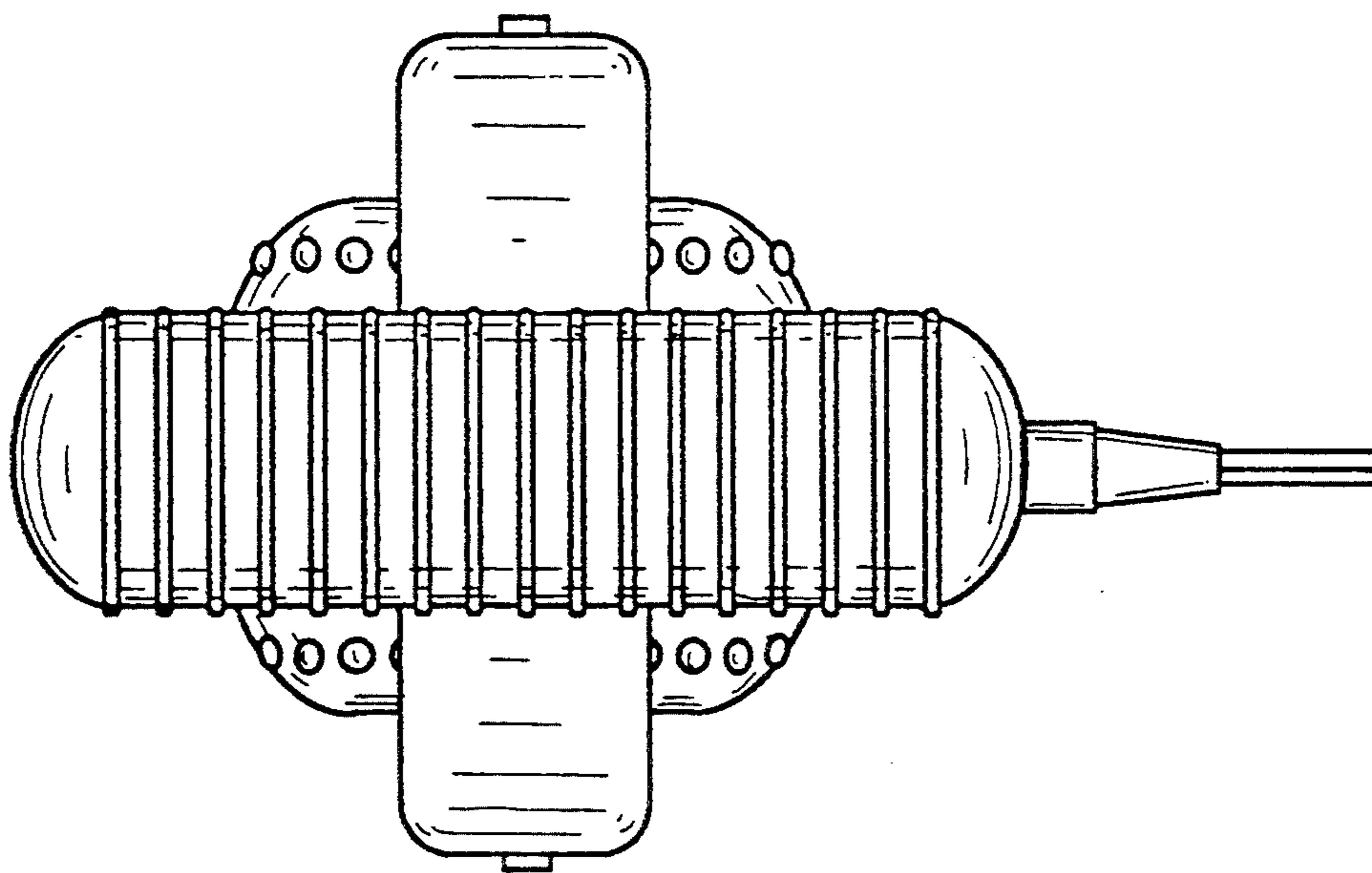


FIG. 12