



US00D361131S

# United States Patent [19]

[11] Patent Number: **Des. 361,131**

**Leopold**

[45] Date of Patent: **\*\* Aug. 8, 1995**

[54] **BOTTLE SUPPORT**

[76] Inventor: **Robin S. Leopold**, 1750 W. Greenlawn Ln., Appleton, Wis. 54914

[\*\*] Term: **14 Years**

[21] Appl. No.: **29,197**

[22] Filed: **Sep. 30, 1994**

[52] U.S. Cl. .... **D24/199**

[58] Field of Search ..... D24/199; 248/102, 103, 248/104, 105, 106, 107

3,648,958 3/1972 Araujo .  
3,814,293 6/1974 Daves .  
3,905,571 9/1975 Lombardo .

*Primary Examiner*—Stella Reid  
*Attorney, Agent, or Firm*—Richard C. Litman

[57] **CLAIM**

The ornamental design for a bottle support, as shown and described.

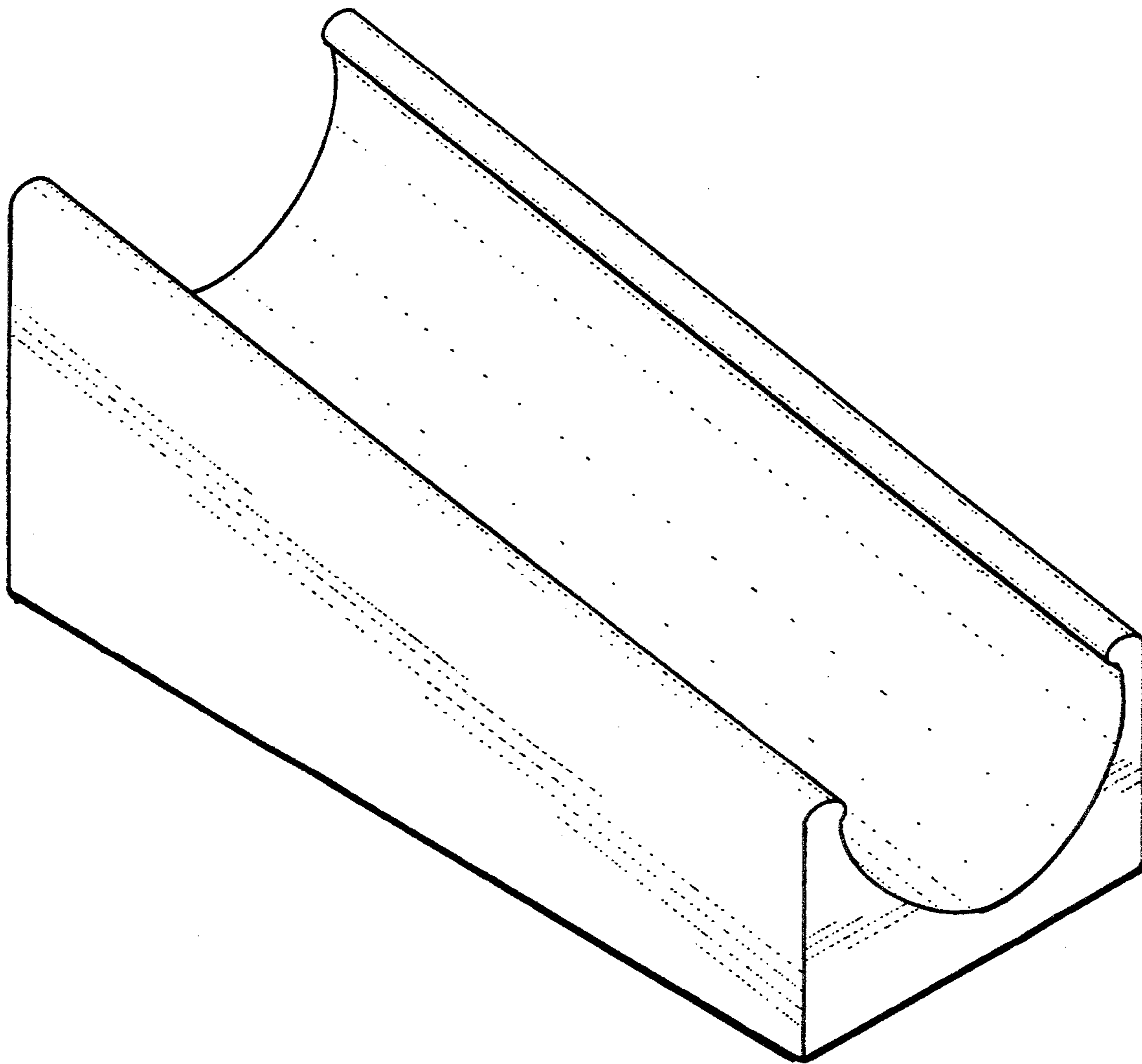
**DESCRIPTION**

FIG. 1 is a perspective view of a bottle support showing my new design;  
FIG. 2 is a front elevational view thereof;  
FIG. 3 is a rear elevational view thereof;  
FIG. 4 is a left side view thereof, the right side being a mirror image;  
FIG. 5 is a top plan view thereof; and,  
FIG. 6 is a perspective view of an alternate embodiment thereof, with all other sides being identical to that shown in FIGS. 3-5.  
The bottom of the design is plain and unornamented.

[56] **References Cited**

**U.S. PATENT DOCUMENTS**

D. 197,828	3/1964	Reis .....	D24/199
D. 198,488	6/1964	Reis .....	D24/199
1,886,619	11/1932	Arnone .	
2,344,255	3/1944	Lichter .....	248/106
2,348,816	5/1944	Hyams .....	248/106
2,450,927	10/1948	Allen .	
2,451,718	10/1948	Corrao .	
2,526,121	10/1950	Curry et al. .	



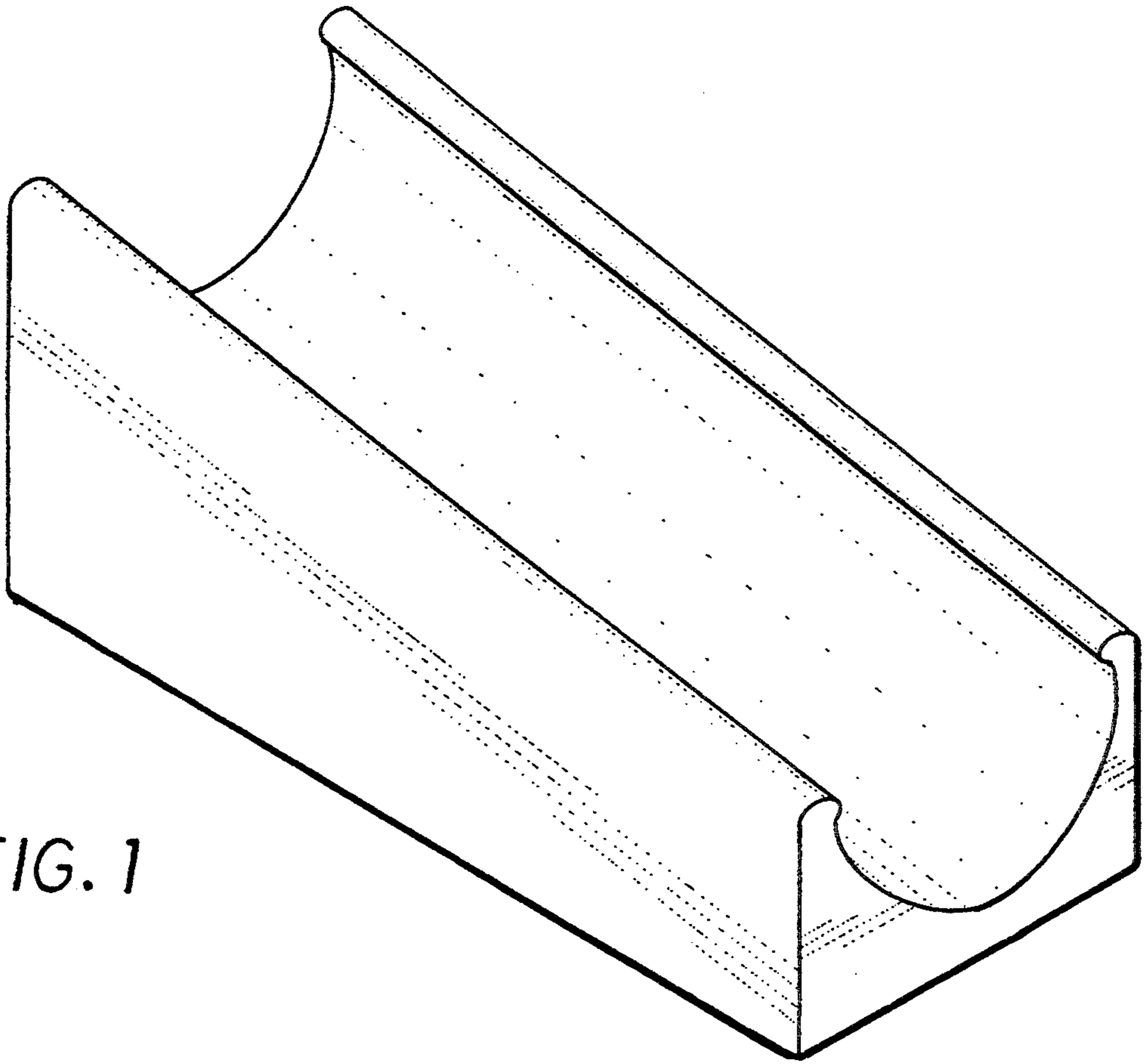


FIG. 1

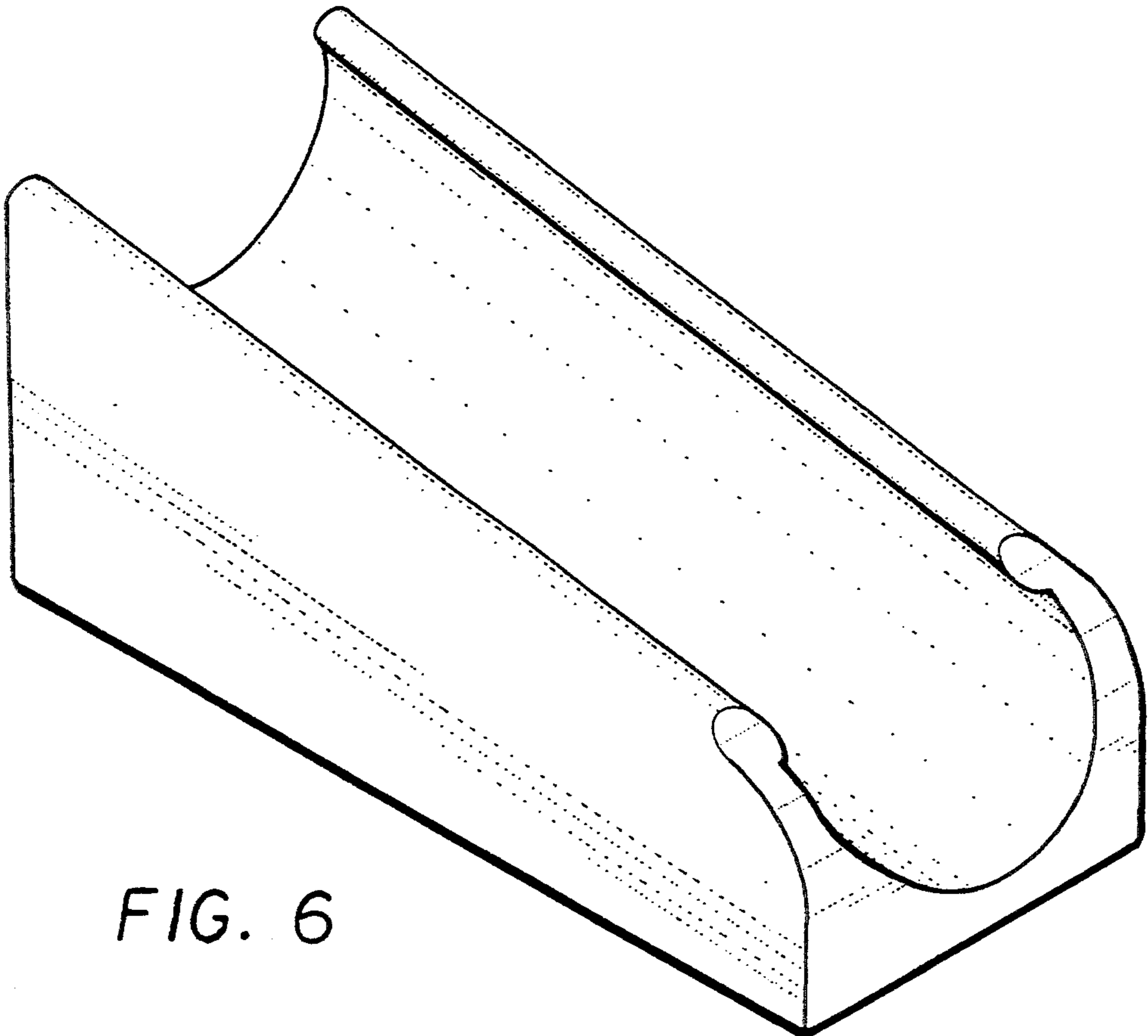


FIG. 6

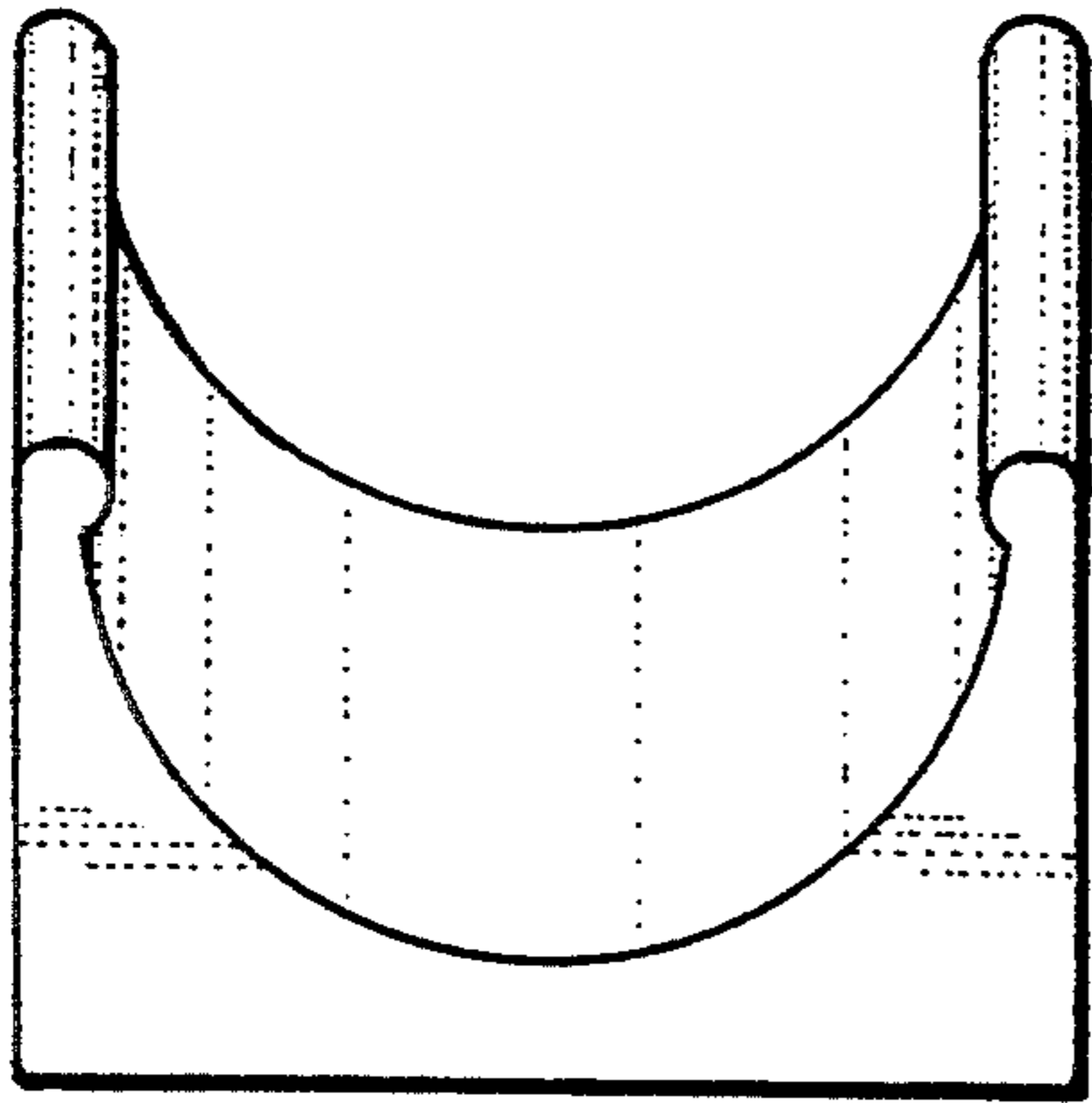


FIG. 2

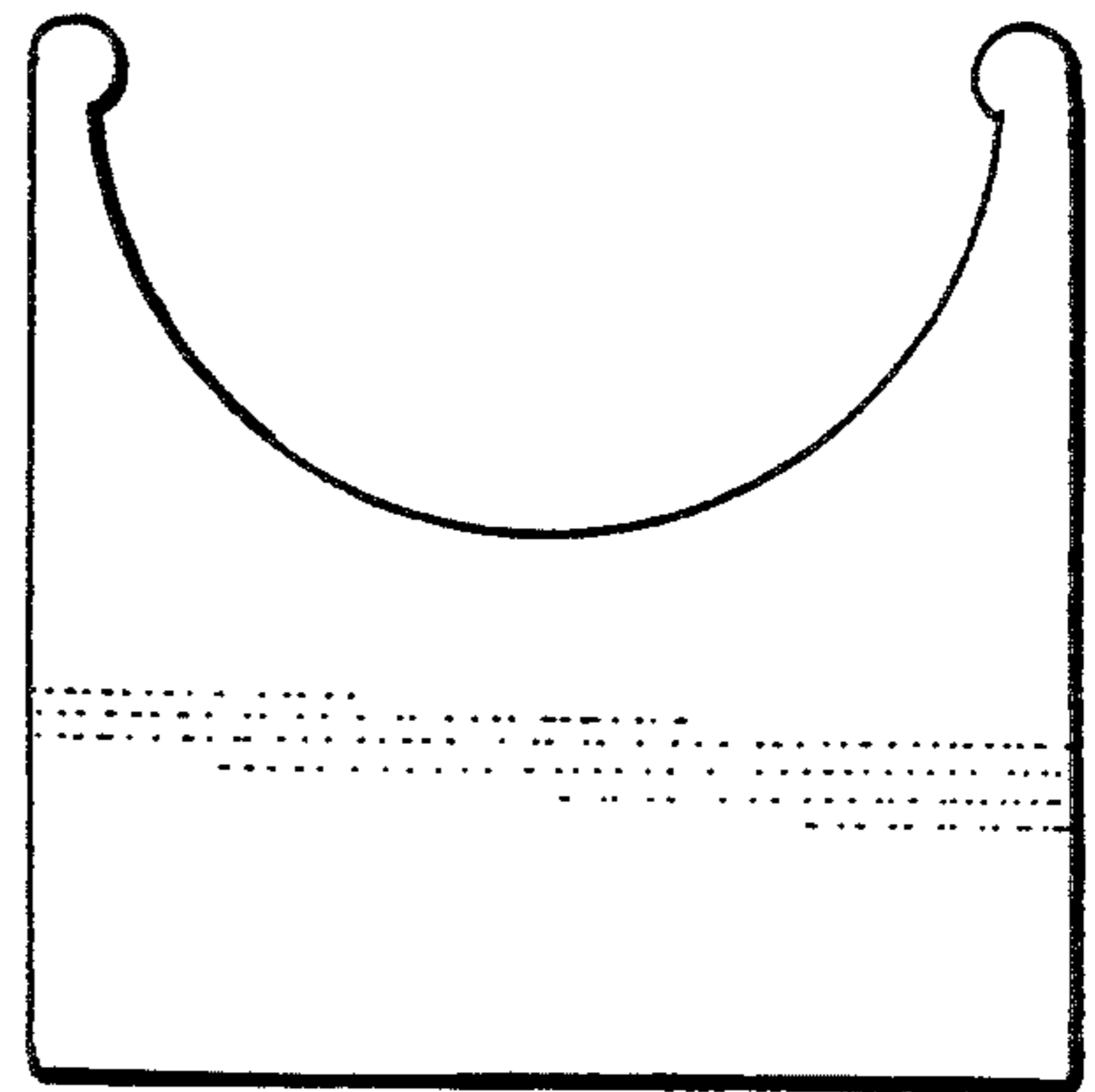


FIG. 3

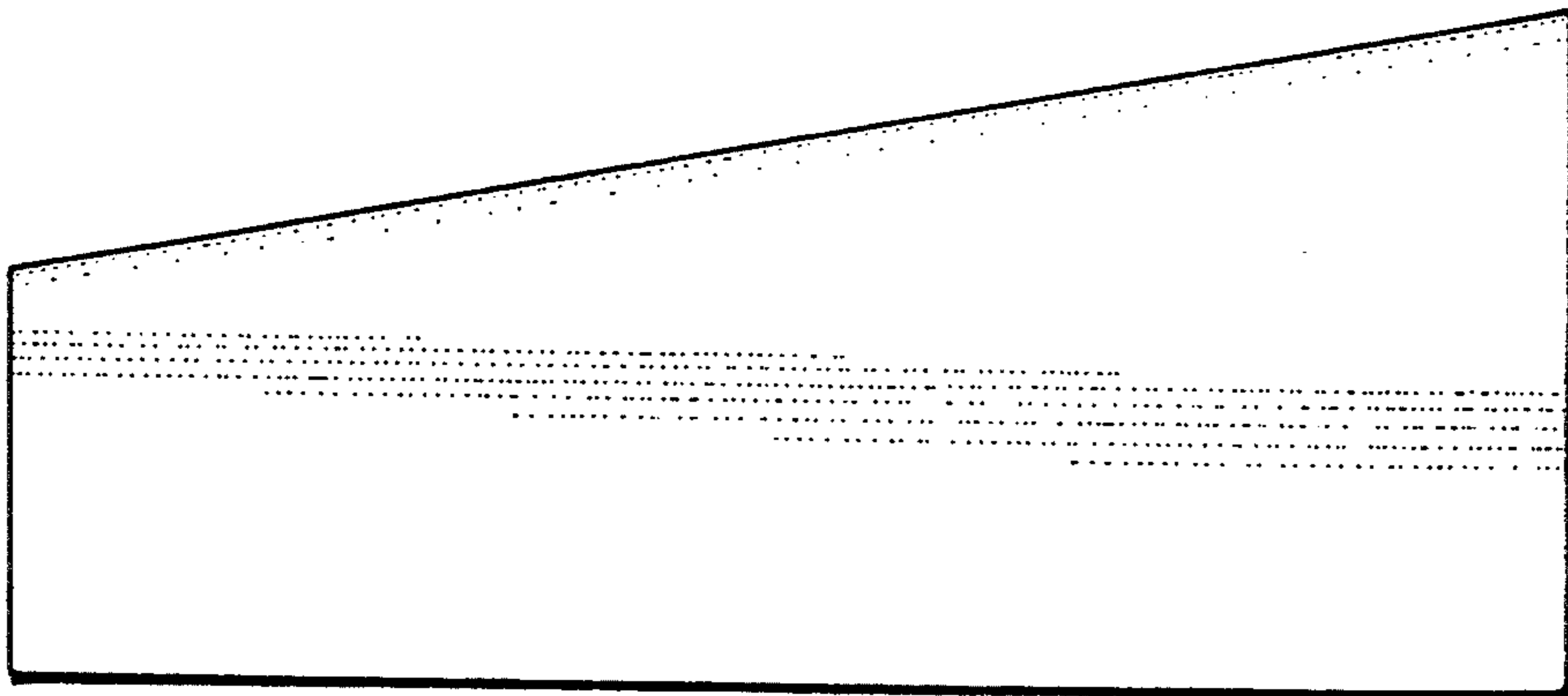


FIG. 4

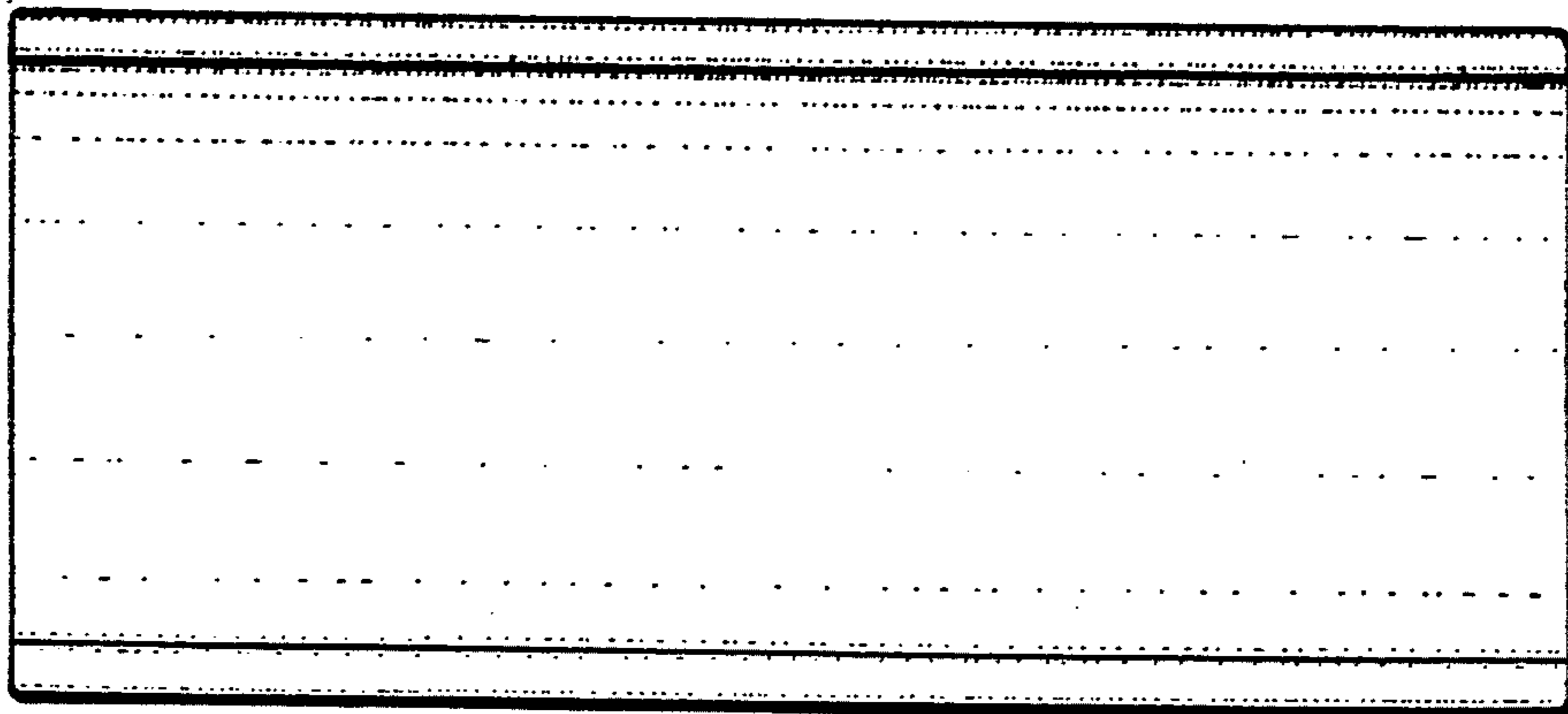


FIG. 5