



US00D361130S

United States Patent [19]

Goldhaber et al.

[11] Patent Number: **Des. 361,130**

[45] Date of Patent: **** Aug. 8, 1995**

[54] **COMBINED INTEGRATED CYLINDRICAL HEAT EXCHANGER AND SQUARE OXYGENATOR**

D. 320,661 10/1991 Sone 24/169
4,645,645 2/1987 Martinez et al. 422/46
5,270,005 12/1993 Raible 422/46

[75] Inventors: **Richard P. Goldhaber**, Lake Forest, Ill.; **Paul D. Brinda**, Robbinsdale; **Ulf-Eiel F. Bach**, Mound, both of Minn.

Primary Examiner—Stella Reid
Attorney, Agent, or Firm—Barbara A. Wrigley

[73] Assignee: **Minntech Corporation**, Minneapolis, Minn.

[57] **CLAIM**

The ornamental design for a combined integrated cylindrical heat exchanger and square oxygenator, as shown.

[**] Term: **14 Years**

DESCRIPTION

[21] Appl. No.: **20,316**

FIG. 1 is a perspective view of the design of the present invention showing the top, right side and front; FIG. 2 is a perspective view of the design of the present invention showing the bottom, left side and rear; FIG. 3 is a top plan view of the integrated cylindrical heat exchanger and square oxygenator showing our new design; FIG. 4 is a front elevational view thereof; FIG. 5 is a left side elevational view thereof; FIG. 6 is a right side elevational view of the design of the present invention; and, FIG. 7 is a rear elevational view thereof.

[22] Filed: **Mar. 23, 1994**

[52] U.S. Cl. **D24/169**

[58] **Field of Search** D24/169; 210/175, 188, 210/195.2, 198.1, 645, 321.64, 321.79, 321.88; 128/DIG. 3; 604/4; 422/48, 46

[56] **References Cited**

U.S. PATENT DOCUMENTS

D. 320,445 10/1991 Jones et al. D24/169

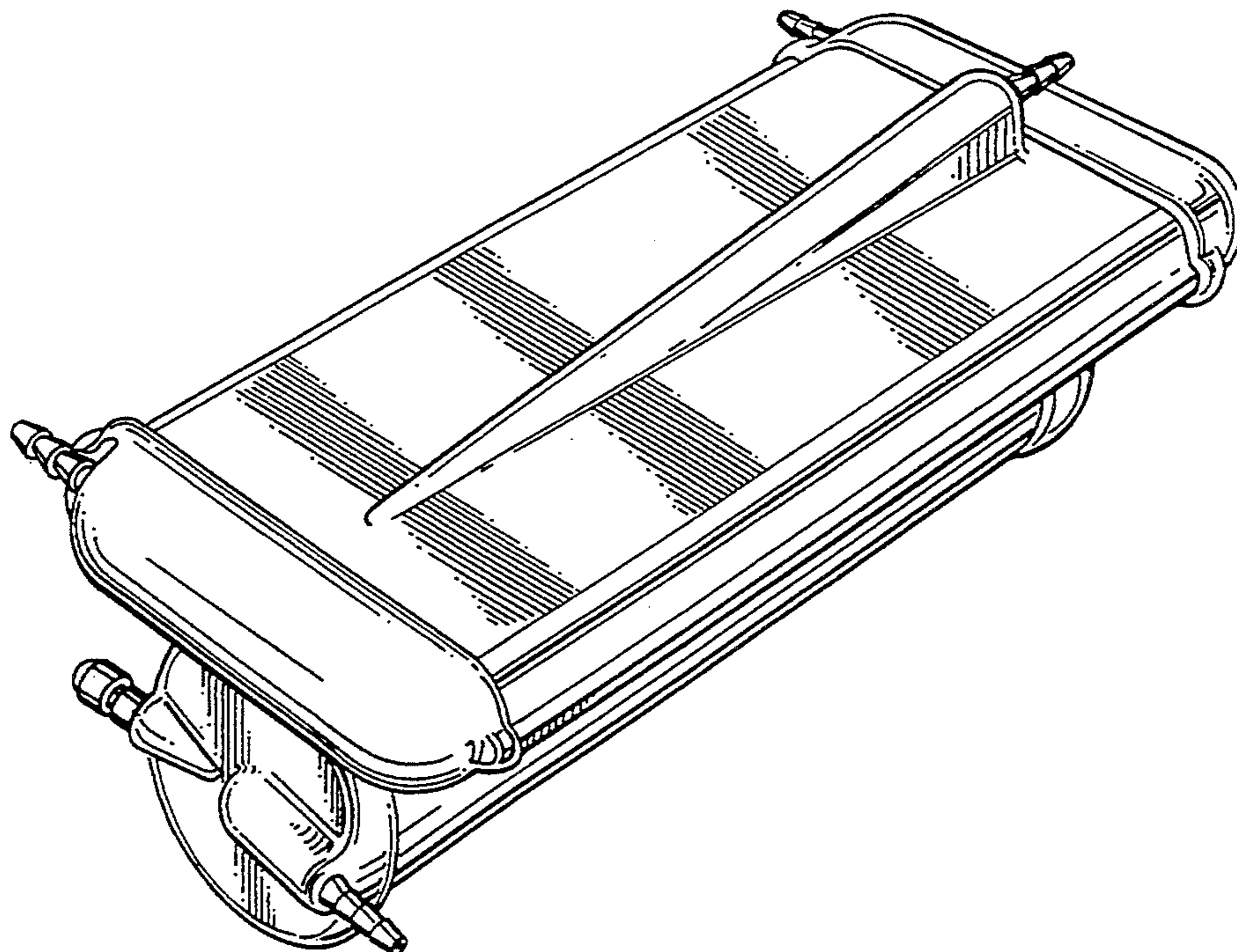


Fig. 1

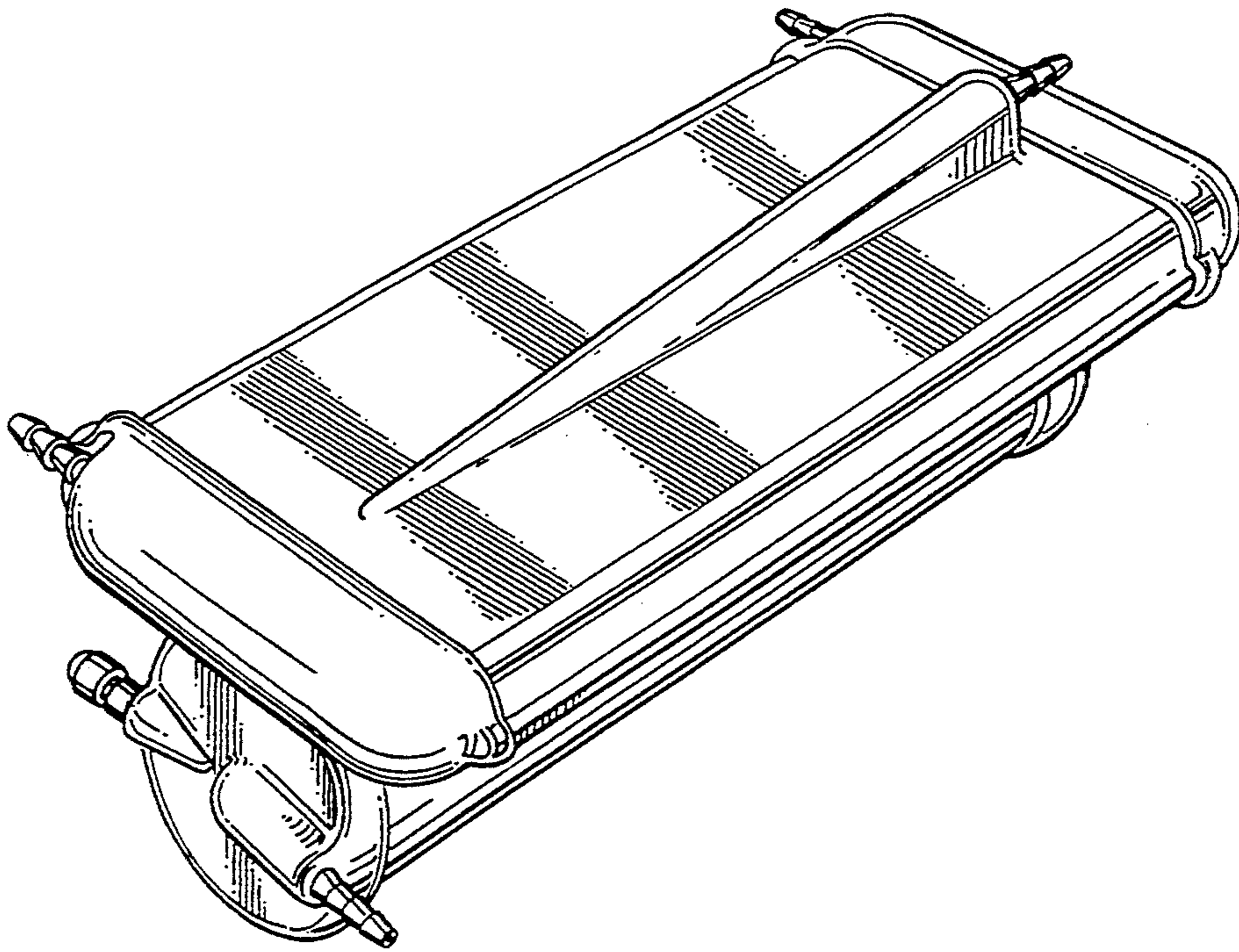


Fig. 2

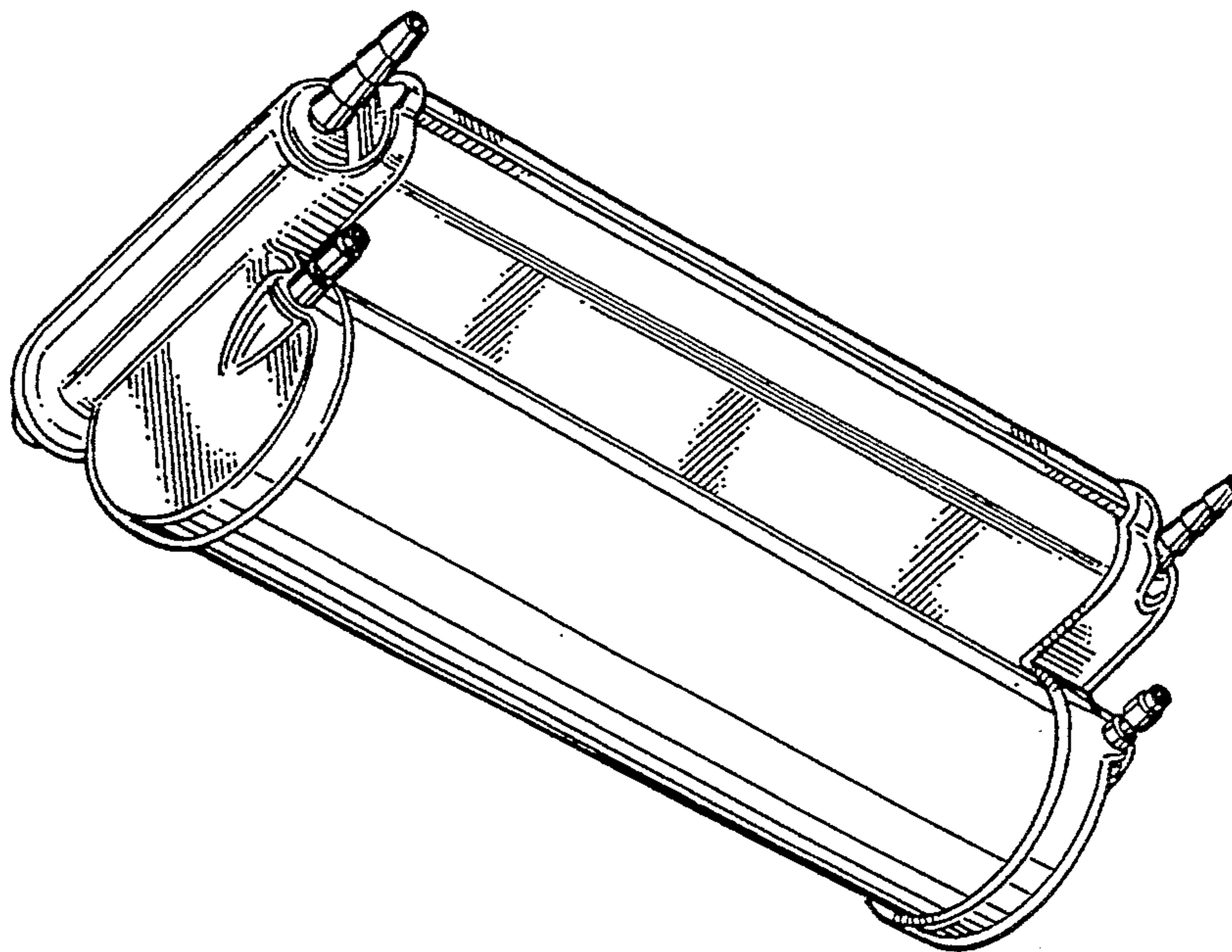


Fig. 7

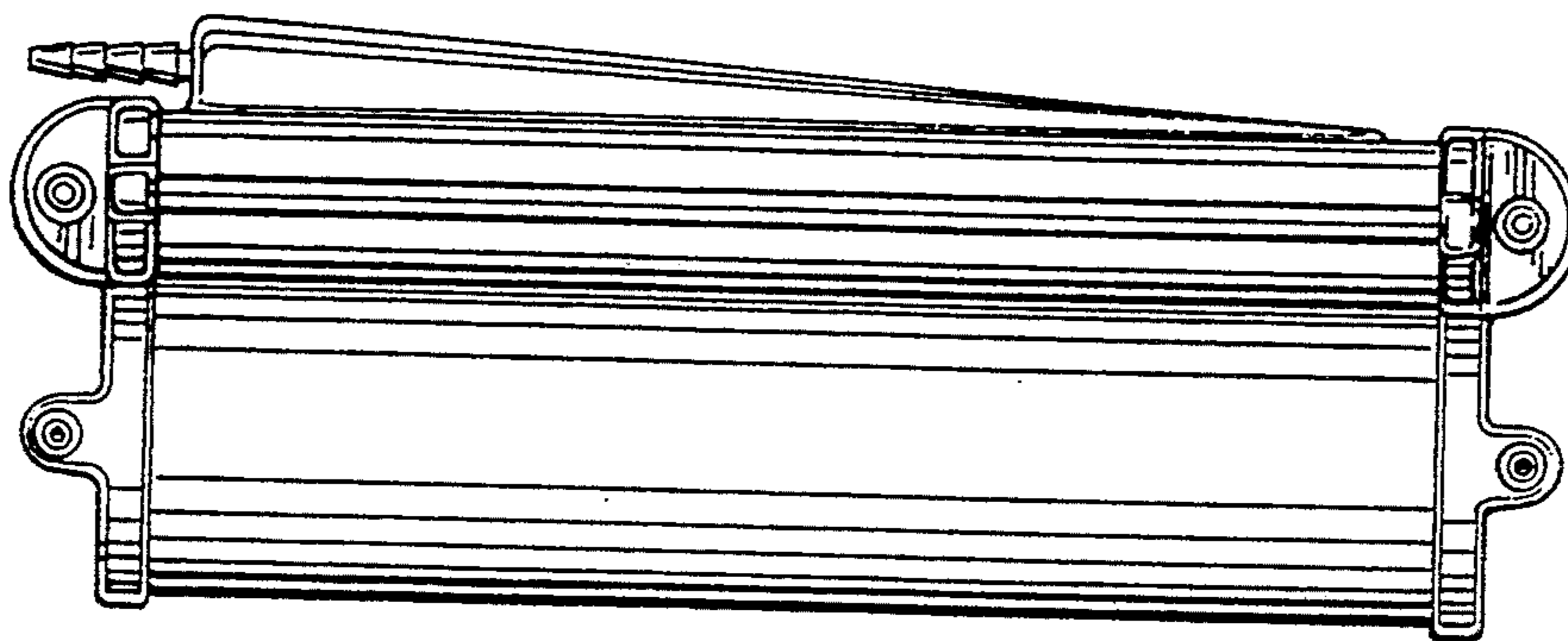


Fig. 3

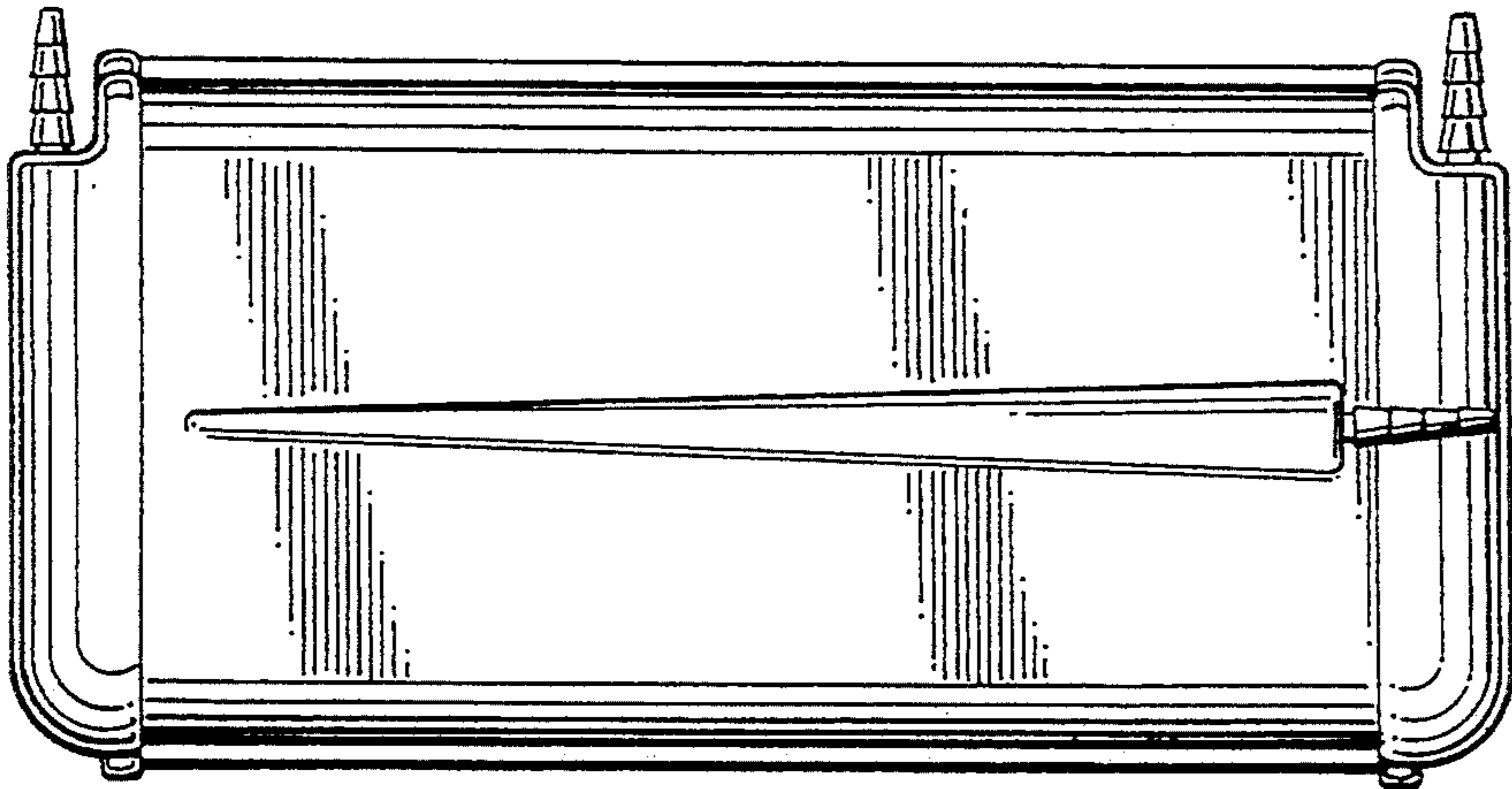


Fig. 4

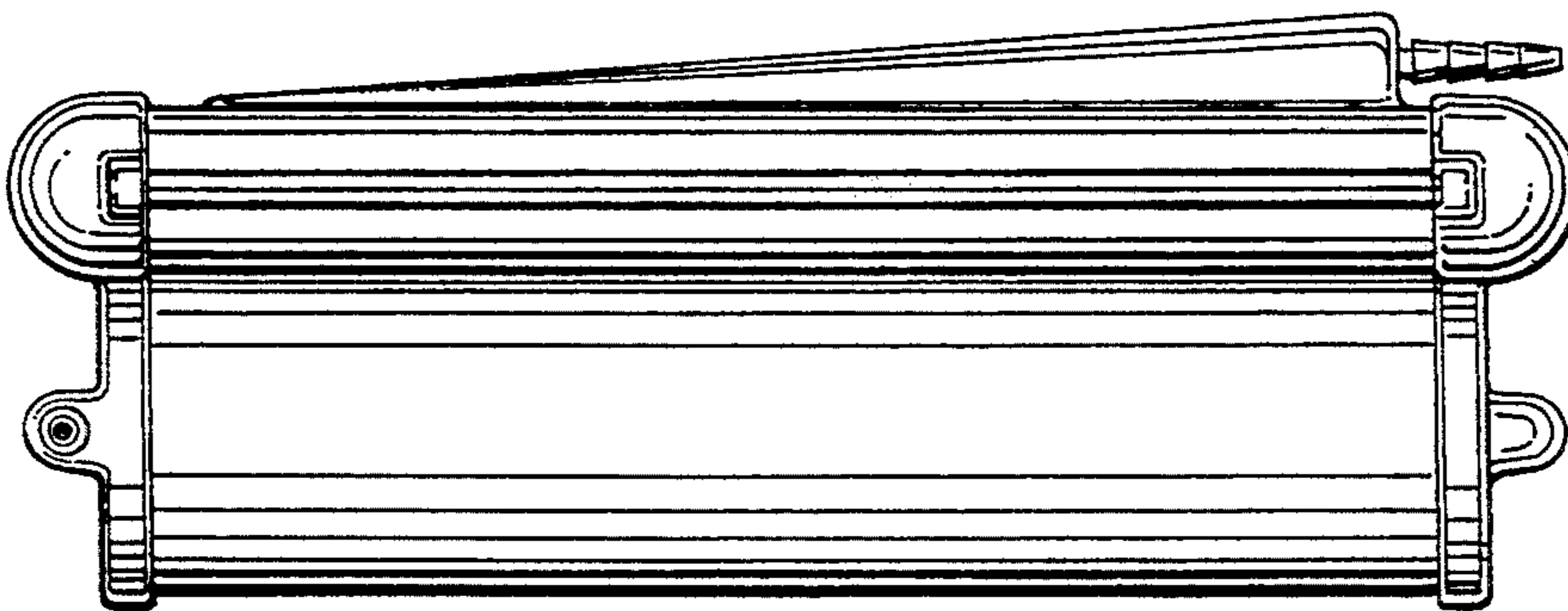


Fig. 5

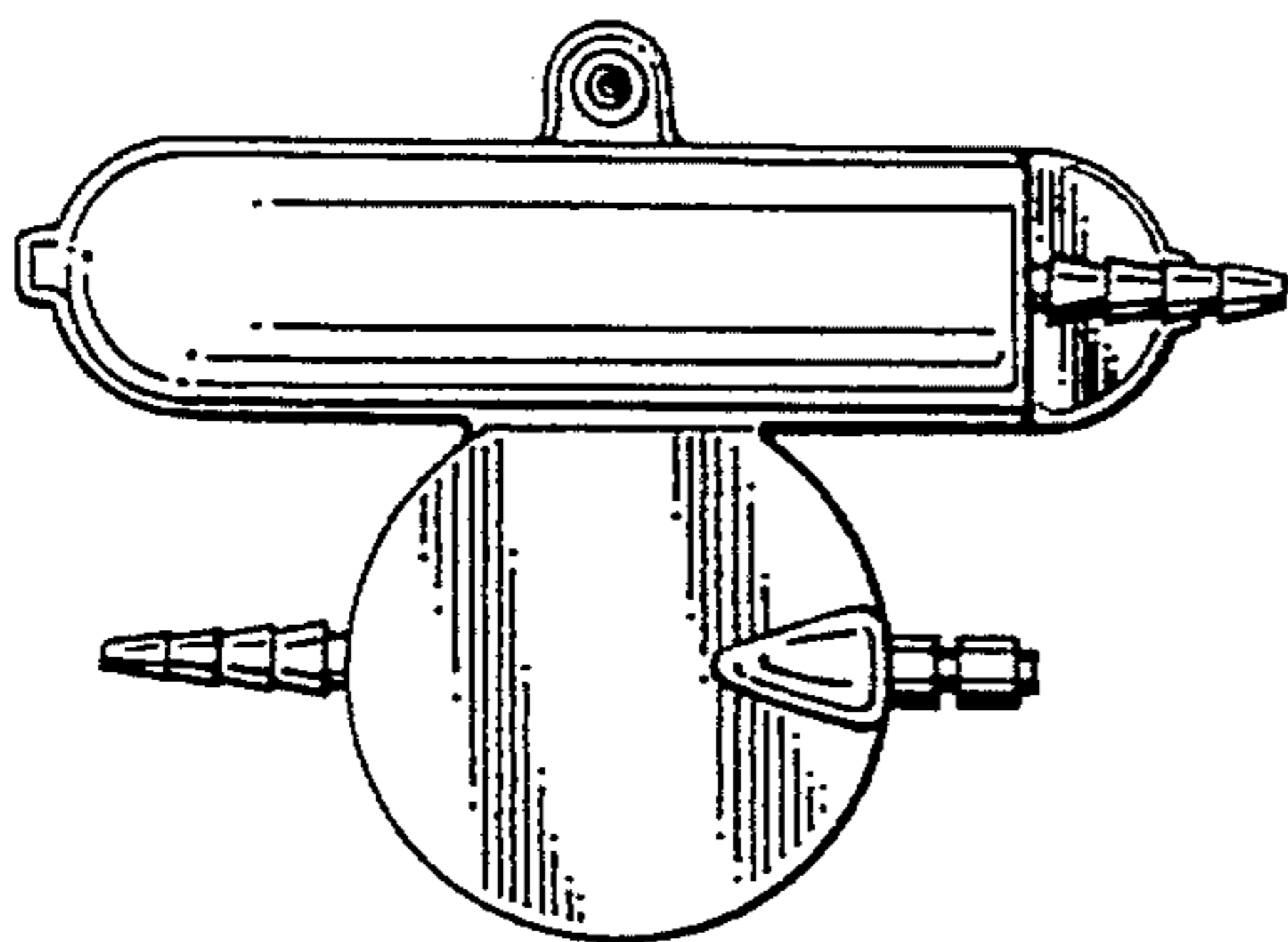


Fig. 6

