



US00D361125S

United States Patent [19] Wolf

[11] Patent Number: **Des. 361,125**

[45] Date of Patent: **** Aug. 8, 1995**

[54] **BATHROOM RADIATOR**

[75] Inventor: **Theo Wolf**, Münster, Germany
[73] Assignee: **Kermi GmbH**, Plattling, Germany
[**] Term: **14 Years**
[21] Appl. No.: **8,121**
[22] Filed: **May 10, 1993**

[30] **Foreign Application Priority Data**
Nov. 12, 1992 [DE] Germany DM/024 414
[52] U.S. Cl. **D23/330; D23/314; D25/53**
[58] **Field of Search** D23/330, 314; D25/53; D12/115; D6/511, 508; 392/433, 377, 378

[56] **References Cited**
U.S. PATENT DOCUMENTS
D. 90,272 7/1933 White D25/53
1,386,356 8/1921 Pasik 392/378
3,967,093 6/1976 Oi 392/377
FOREIGN PATENT DOCUMENTS
573437 2/1958 Italy 392/378
675293 9/1990 Switzerland 392/377

OTHER PUBLICATIONS

Institutions, Apr., 1956, p. 86, Bike Rack, bottom left side of page.

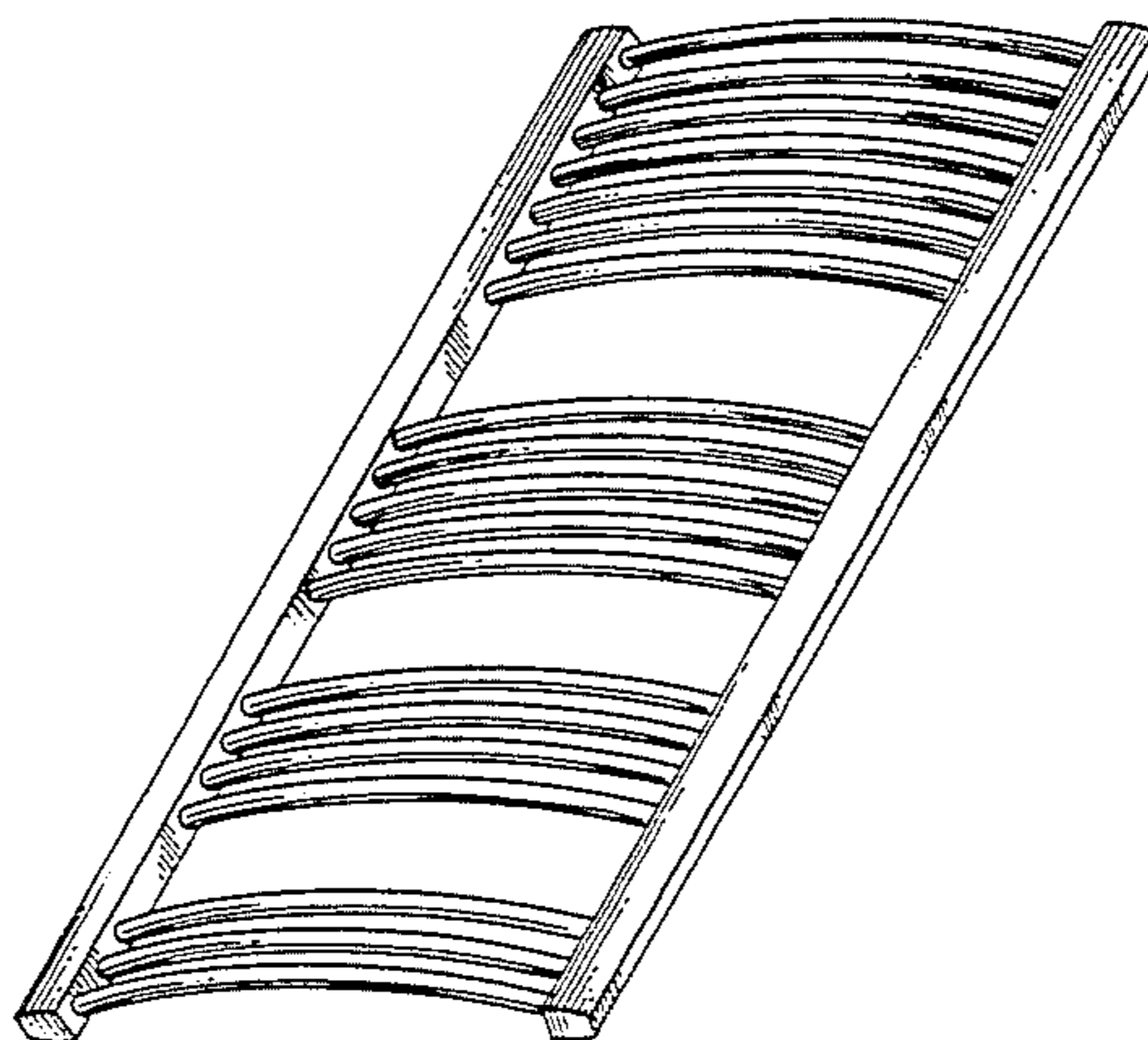
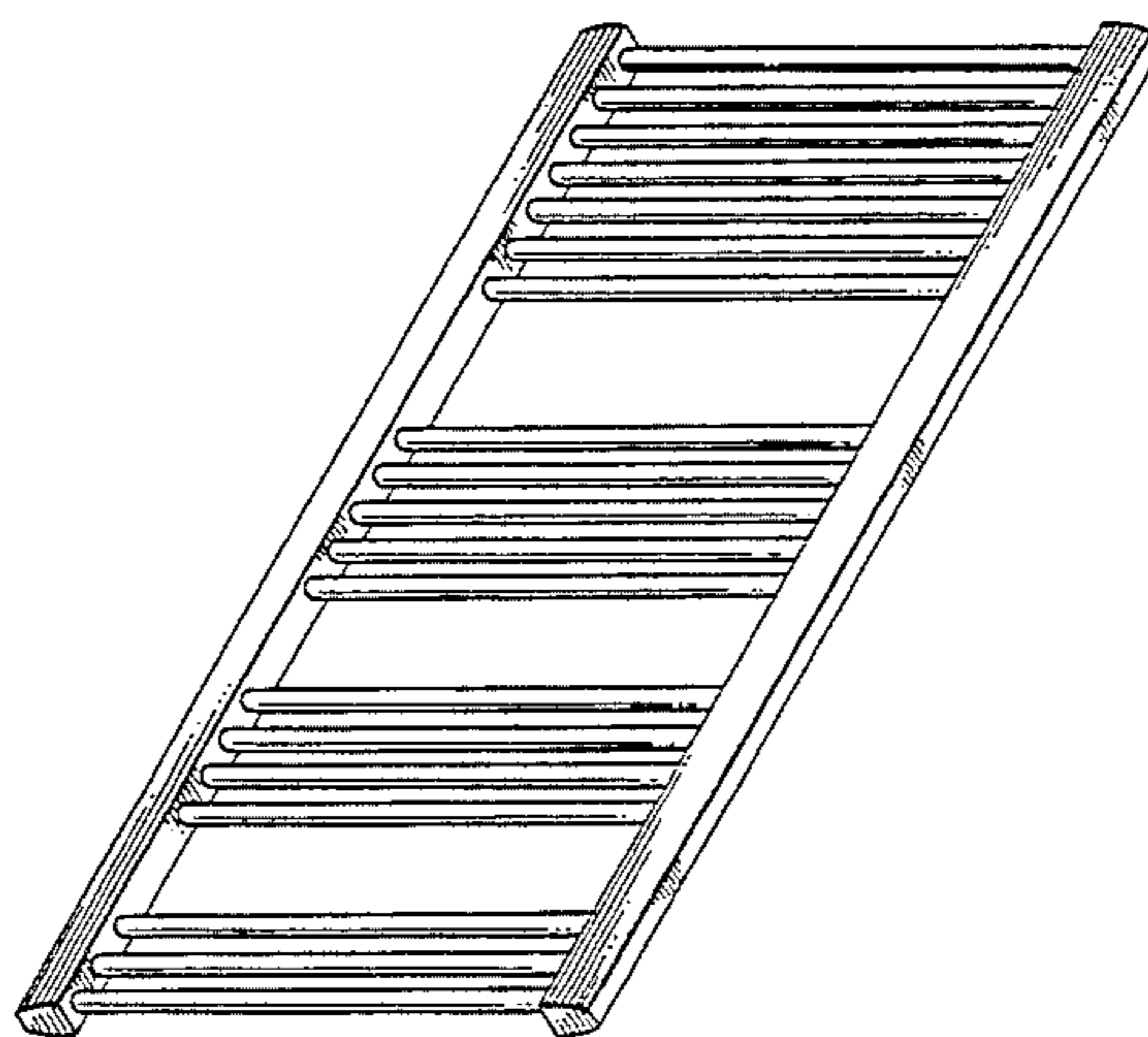
Primary Examiner—Lisa P. Lichtenstein
Attorney, Agent, or Firm—Nikaido, Marmelstein, Murray & Oram

[57] **CLAIM**

The ornamental design for a bathroom radiator, as shown and described.

DESCRIPTION

FIG. 1 is a front perspective view of a first embodiment of a bathroom radiator showing my new design, the rear perspective view being a mirror image thereof, wherein the bottom view and left side view are the same as the top view and right side view, respectively; FIG. 2 is a front perspective view of a second embodiment thereof, wherein the bottom view and left side view are the same as the top view and right side view, respectively; and, FIG. 3 is a rear perspective view from a low angle of the embodiment of FIG. 2. The sole difference between the first and second embodiments resides in the appearance of the curvature of the lateral bars.



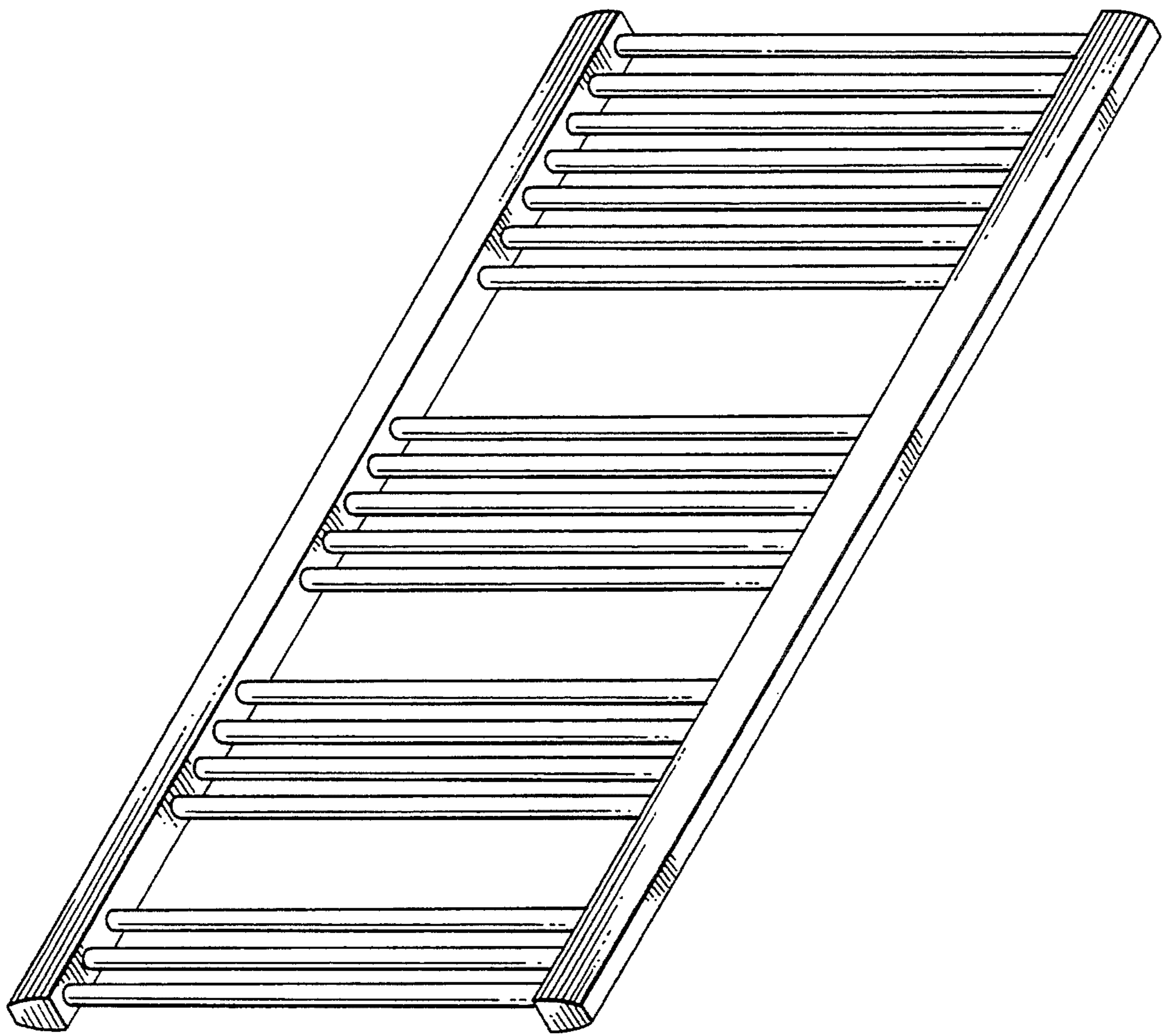


FIG. 1

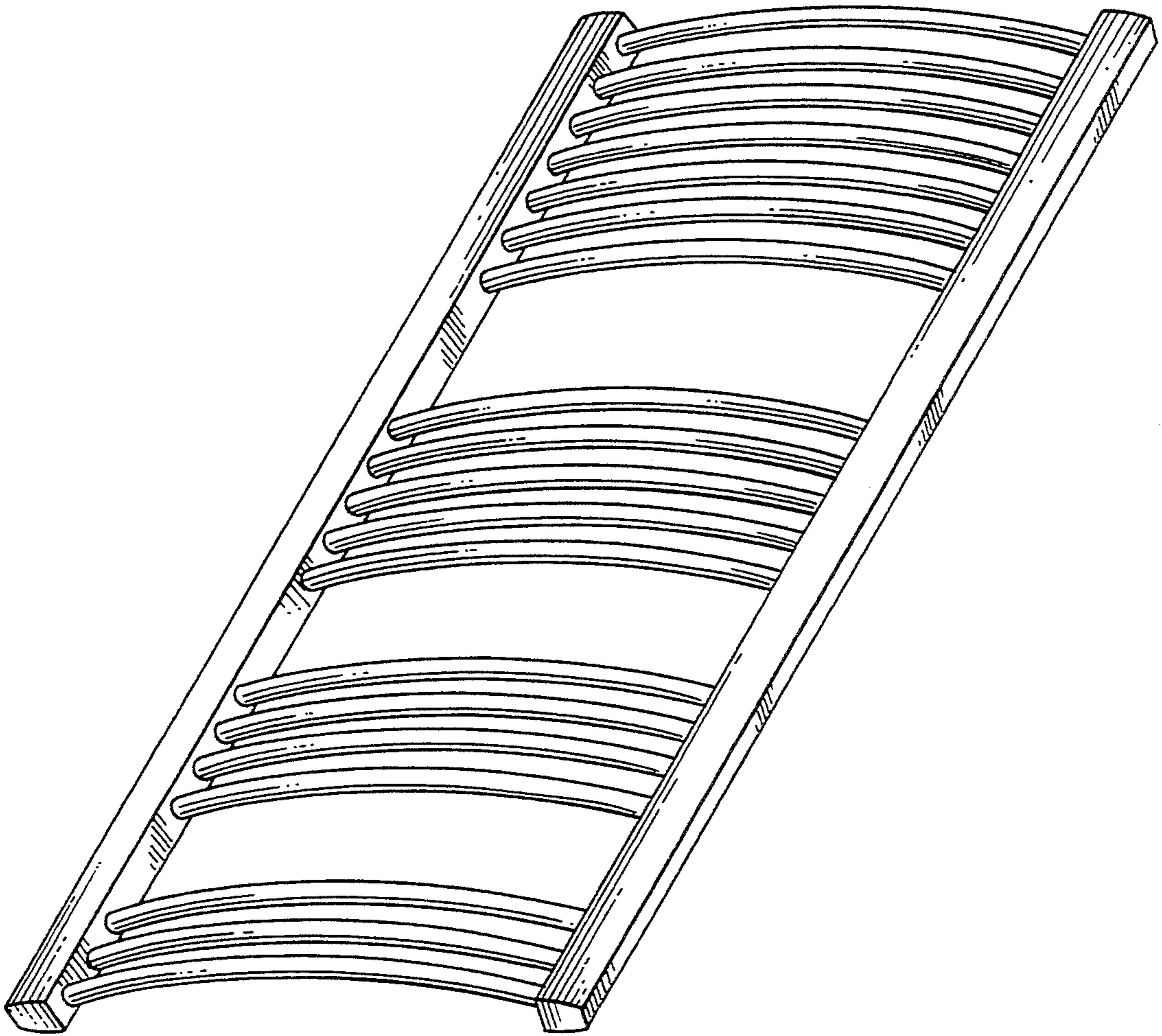


FIG. 2

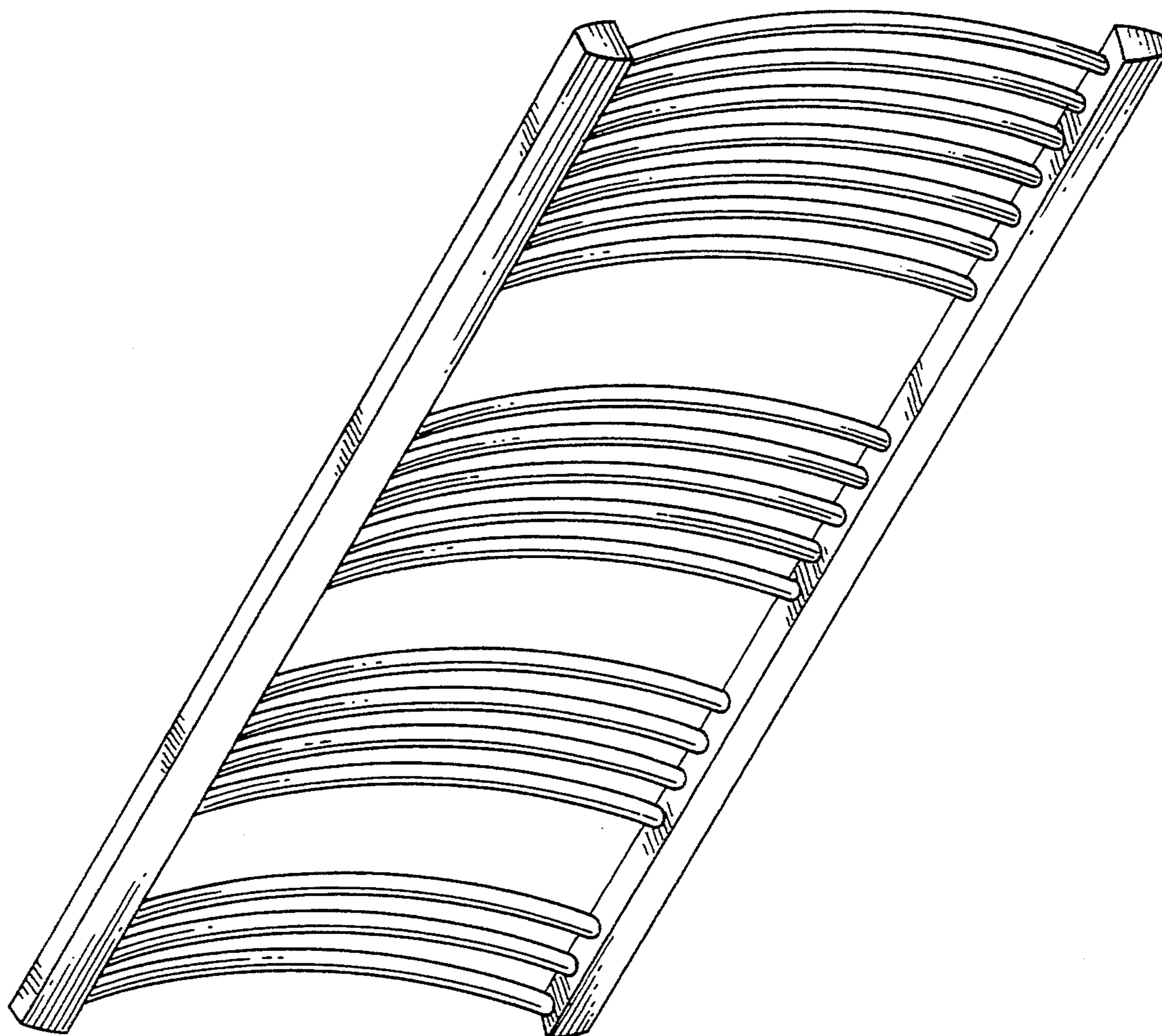


FIG. 3