



US00D361124S

# United States Patent [19]

[11] Patent Number: **Des. 361,124**

Pearce

[45] Date of Patent: **\*\* Aug. 8, 1995**

[54] **COMBINED CEILING FAN AND DECORATIVE DECAL FOR ATTACHMENT TO A CEILING**

### FOREIGN PATENT DOCUMENTS

1017507 12/1952 France ..... 416/247  
361316 1/1973 U.S.S.R. .... 416/5

[75] Inventor: **Richard A. Pearce**, Memphis, Tenn.

### OTHER PUBLICATIONS

[73] Assignee: **Hunter Fan Company**, Memphis, Tenn.

*How to Identify War Planes—Friend or Enemy* (C) 1942, p. 6 Plane (A), top left side of page and p. 7 Plane (B), lower left side of page.

[\*\*] Term: **14 Years**

*Primary Examiner*—Lisa P. Lichtenstein  
*Attorney, Agent, or Firm*—Baker, Donelson, Bearman, Caldwell

[21] Appl. No.: **7,082**

[22] Filed: **Jan. 5, 1993**

### Related U.S. Application Data

[63] Continuation-in-part of Ser. No. 621,568, Nov. 30, 1990, abandoned.

[52] U.S. Cl. .... **D23/328; D23/377; D23/379; D23/385**

[58] Field of Search ..... **D23/377-379, D23/385, 411, 413, 328; D21/87, 90, 82; 416/5**

### [57] CLAIM

The ornamental design for a combined ceiling fan and decorative decal for attachment to a ceiling, as shown and described.

### DESCRIPTION

### [56] References Cited

#### U.S. PATENT DOCUMENTS

D. 78,212	4/1929	Krohn	.....	D23/328
D. 150,023	6/1948	Miller	.....	D21/90
D. 159,071	6/1950	Jones	.....	D21/87
D. 298,648	11/1988	Gill	.....	D23/379
D. 302,191	7/1989	Lakin	.....	D21/82
D. 312,686	12/1990	Weber	.....	D23/377
1,446,110	2/1923	Williams	.....	D21/90
2,060,699	11/1936	Tauber	.....	392/364
2,213,873	9/1940	Van Derschaegh	.....	416/146

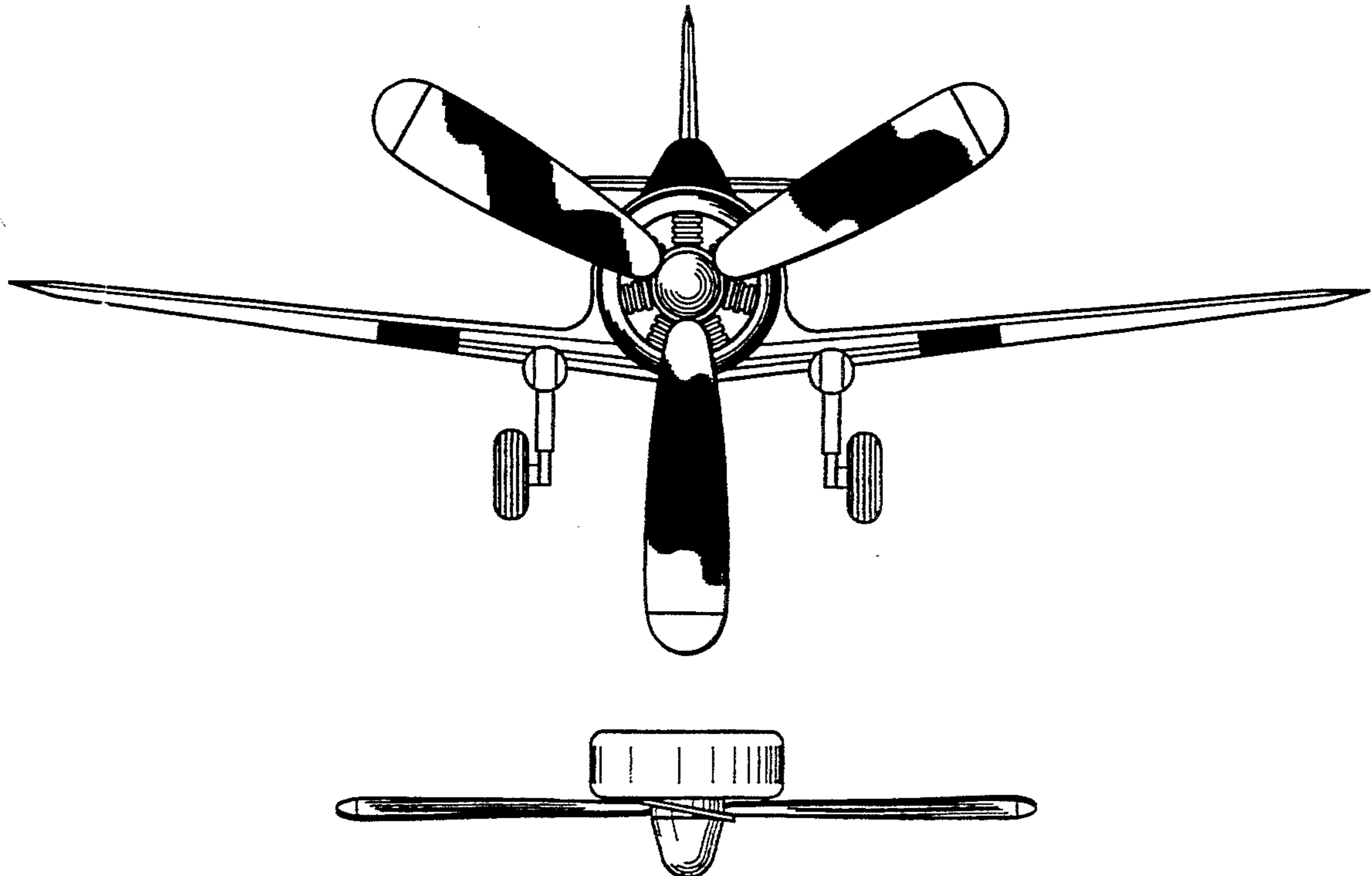
FIG. 1 is a bottom plan view of a combined ceiling fan and decorative decal for attachment to a ceiling, showing my new design;

FIG. 2 is a bottom plan view of a combined ceiling fan and decorative decal for attachment to a ceiling showing a second embodiment of my new design;

FIG. 3 is a bottom plan view of FIG. 2 on a reduced scale, with the decorative decal omitted for ease of illustration; and,

FIG. 4 is a side elevational view of FIG. 3, the other three sides being identical to that shown.

The sole difference between the first and second embodiments resides in the appearance of the number of blades.



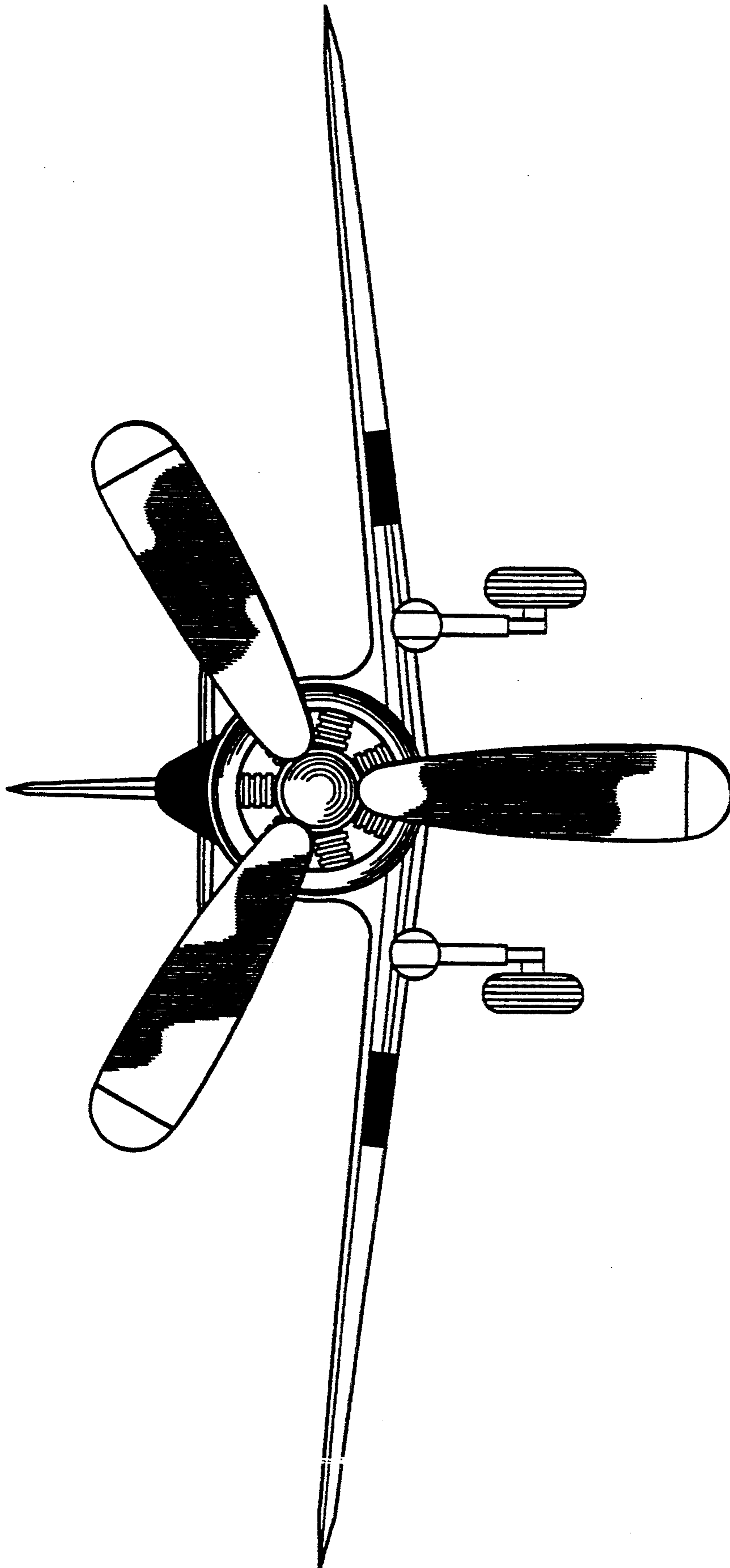


Fig. 1

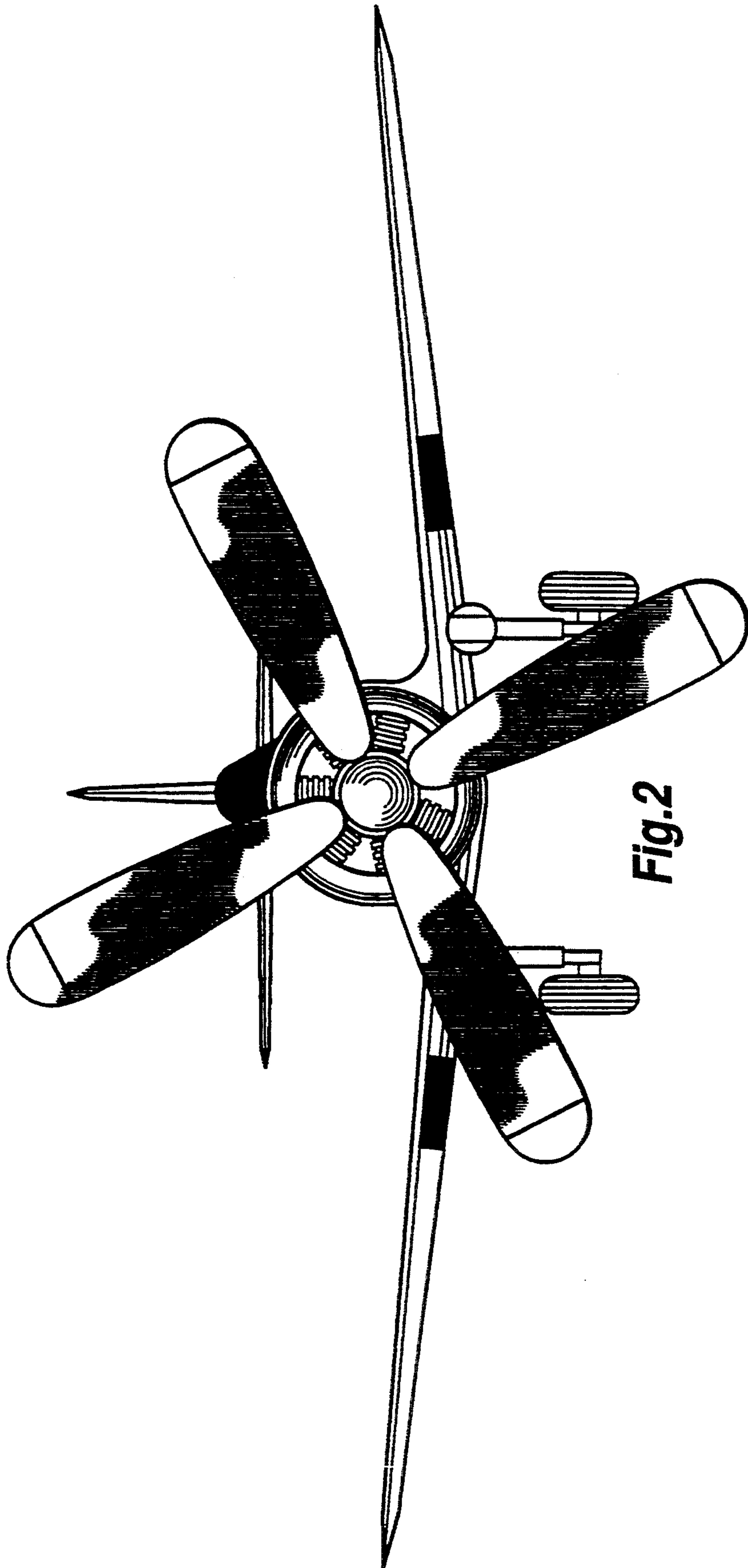
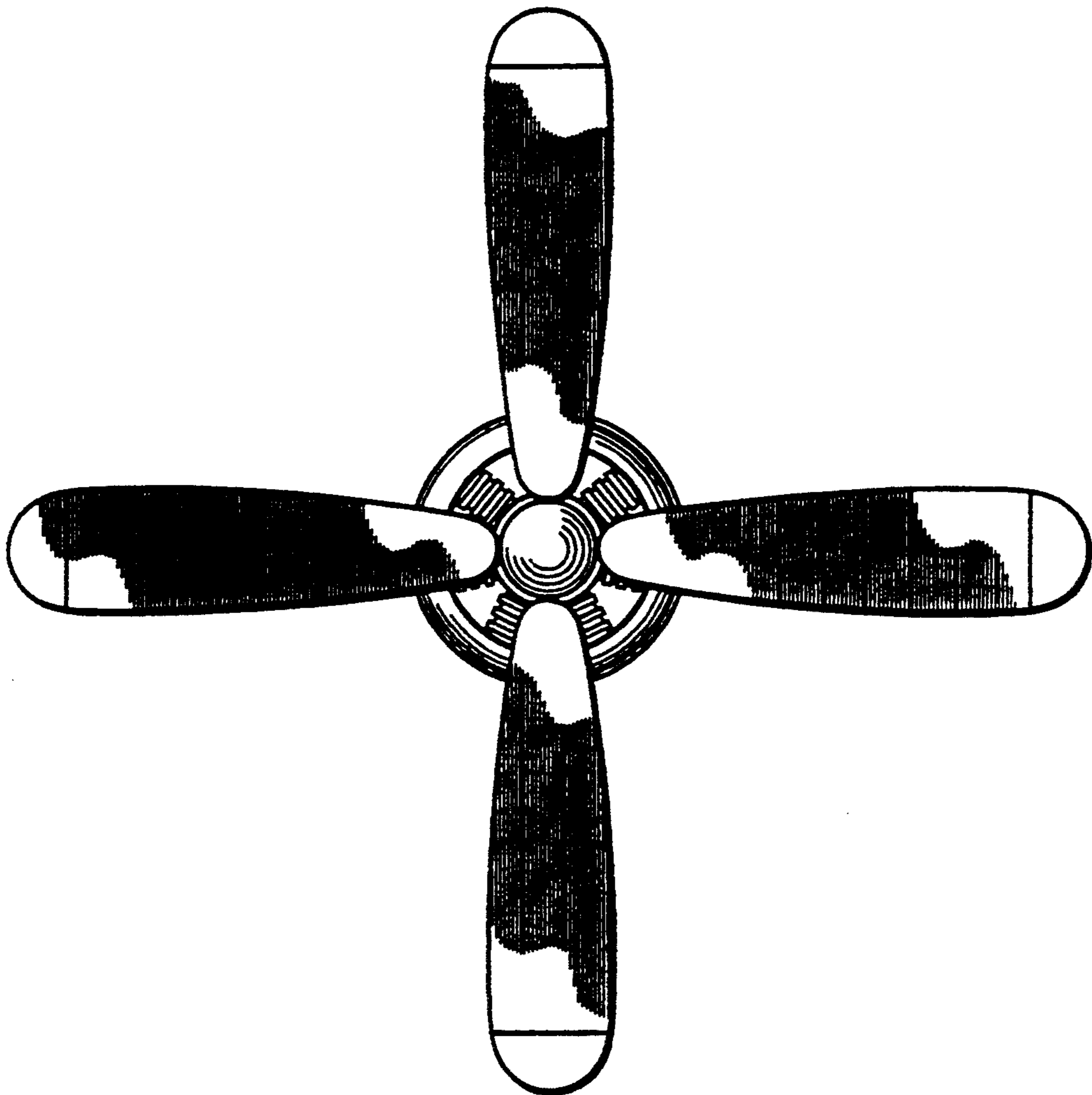
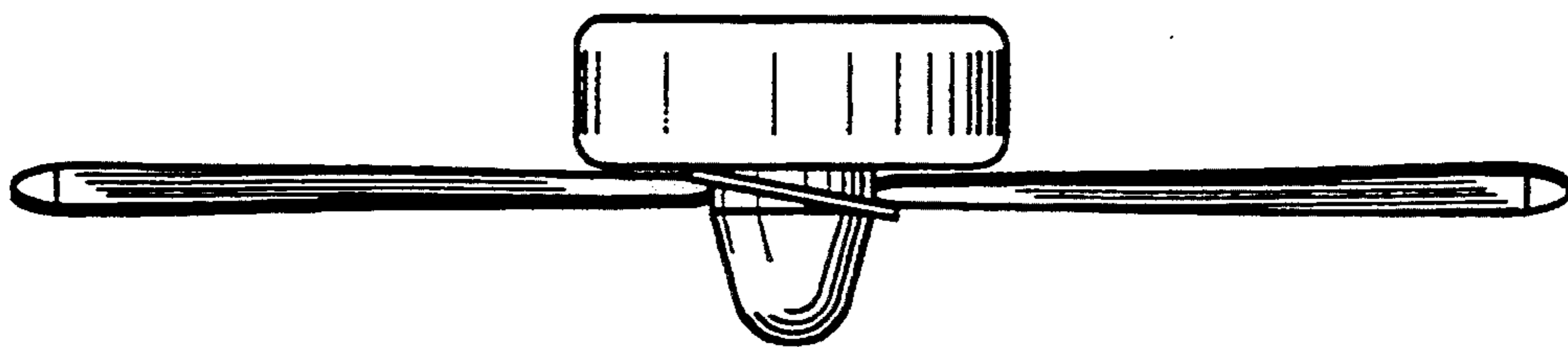


Fig. 2



**Fig.3**



**Fig.4**