



US00D361122S

# United States Patent [19]

[11] Patent Number: **Des. 361,122**

**Goodin**

[45] Date of Patent: **\*\* Aug. 8, 1995**

[54] **HOSE NOZZLE**

[75] Inventor: **John W. Goodin**, Coto De Caza, Calif.

[73] Assignee: **L. R. Nelson Corporation**, Peoria, Ill.

[\*\*] Term: **14 Years**

[21] Appl. No.: **22,788**

[22] Filed: **May 12, 1994**

[52] U.S. Cl. .... **D23/226; D23/223**

[58] Field of Search ..... **D23/213, 223-229; 239/394, 525-528, 459, 288.5**

[56] **References Cited**

**U.S. PATENT DOCUMENTS**

- D. 148,892 3/1948 Swimmer .
- D. 185,186 5/1959 Beinert .
- D. 194,014 11/1962 Gilmour .
- D. 225,222 11/1972 Gilmour .
- D. 251,917 5/1979 Morgan ..... D23/226
- D. 300,348 3/1989 Lubeck ..... D23/226
- 2,937,813 5/1960 Rinkewich ..... 239/459
- 2,991,945 7/1961 Rosenkranz .
- 3,799,447 3/1974 Beal .

*Primary Examiner*—Brian N. Vinson

*Assistant Examiner*—Robin Taylor  
*Attorney, Agent, or Firm*—Cushman, Darby & Cushman

[57] **CLAIM**

The ornamental design for a hose nozzle, as shown and described.

**DESCRIPTION**

FIG. 1 is a perspective view looking at the front and left side of a hose nozzle showing a small hand embodiment of my new design;

FIG. 2 is a left side elevational view thereof;

FIG. 3 is a right side elevational view thereof;

FIG. 4 is a front elevational view thereof;

FIG. 5 is a rear elevational view thereof;

FIG. 6 is a top plan view thereof;

FIG. 7 is a bottom plan view thereof;

FIG. 8 is a perspective view similar to FIG. 1 of a hose nozzle showing a large hand embodiment of my new design;

FIG. 9 is a left side elevational view thereof;

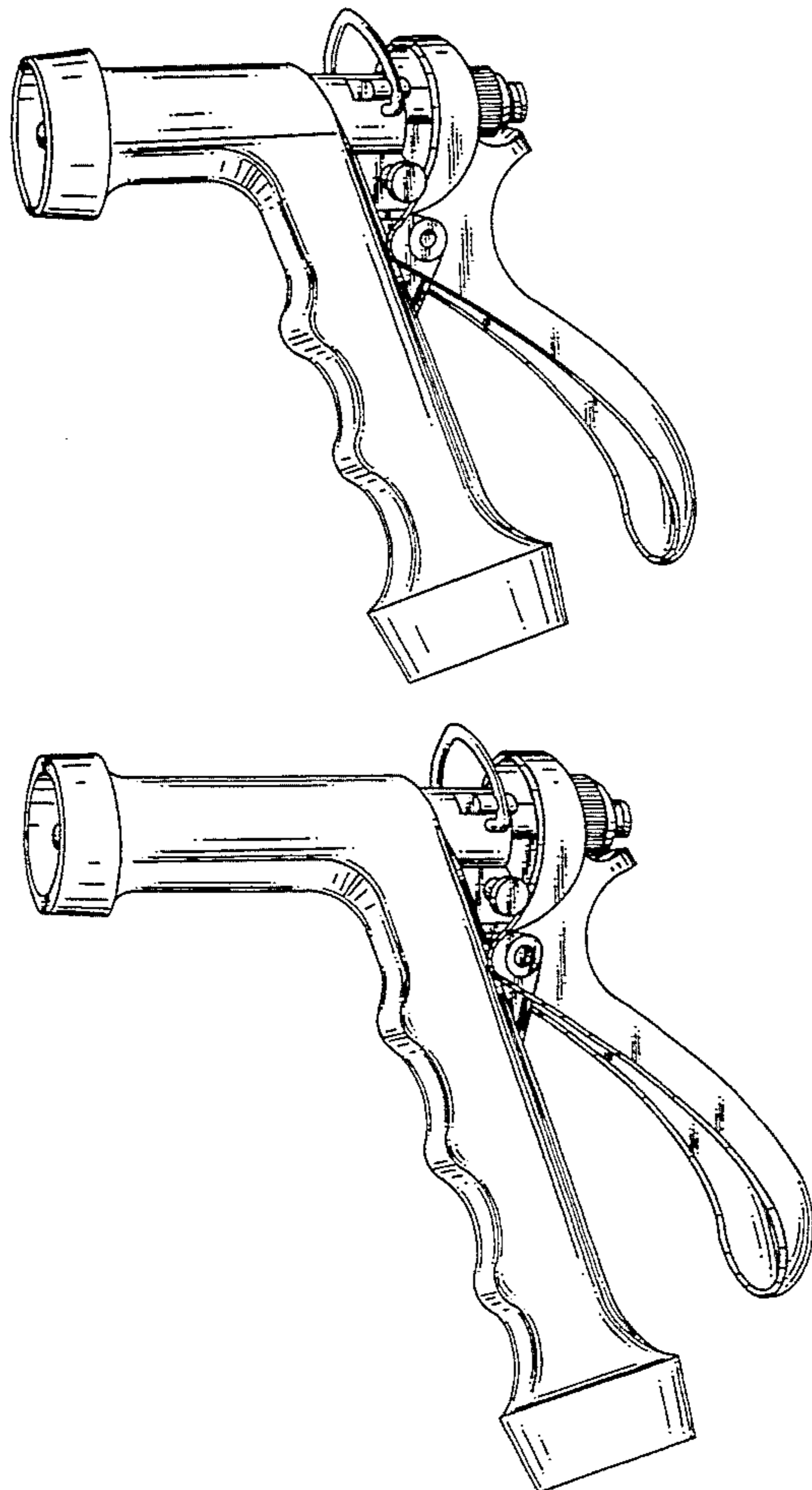
FIG. 10 is a right side elevational view thereof;

FIG. 11 is a front elevational view thereof;

FIG. 12 is a rear elevational view thereof;

FIG. 13 is a top plan view thereof; and,

FIG. 14 is a bottom plan view thereof.



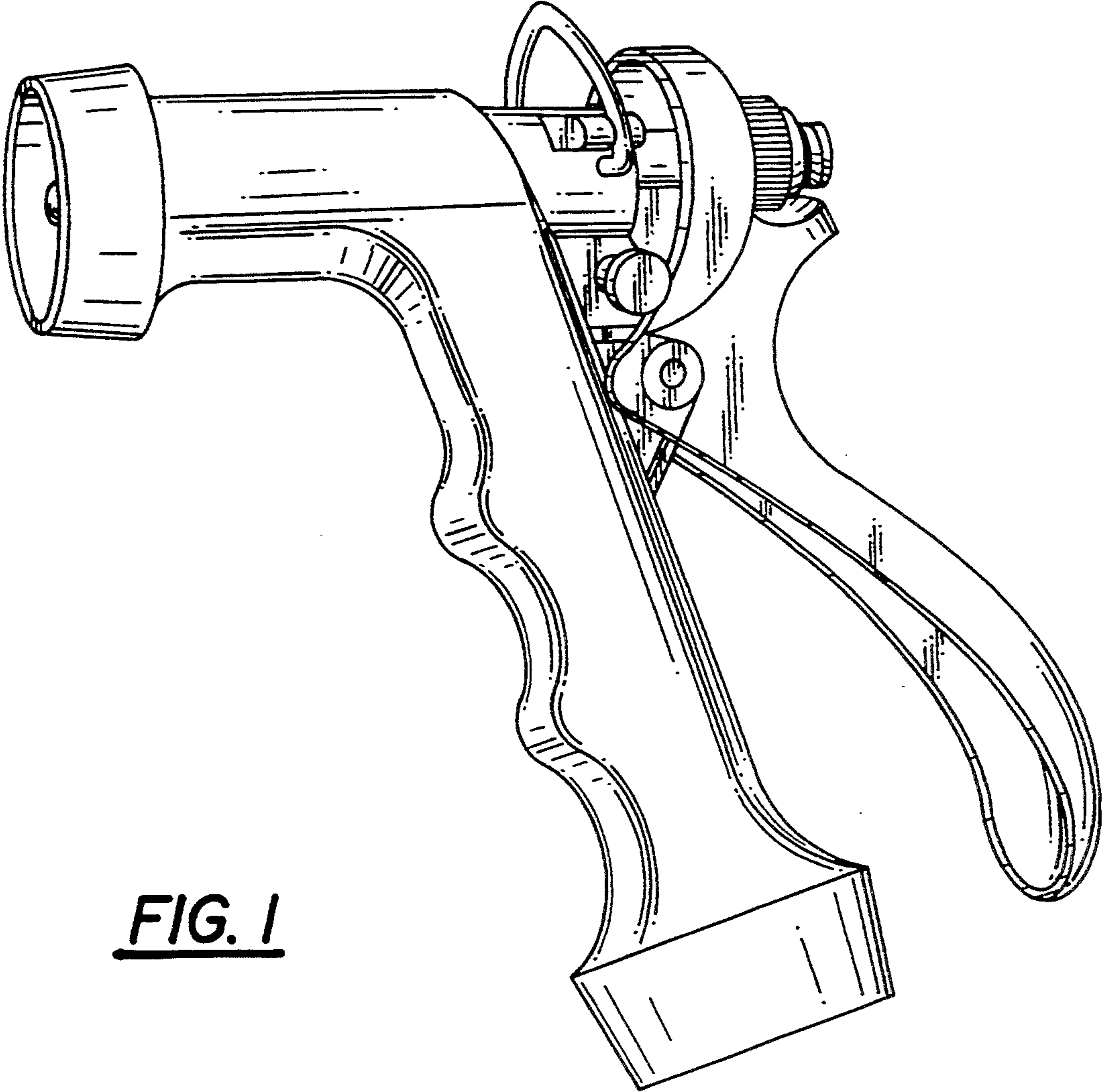


FIG. 1

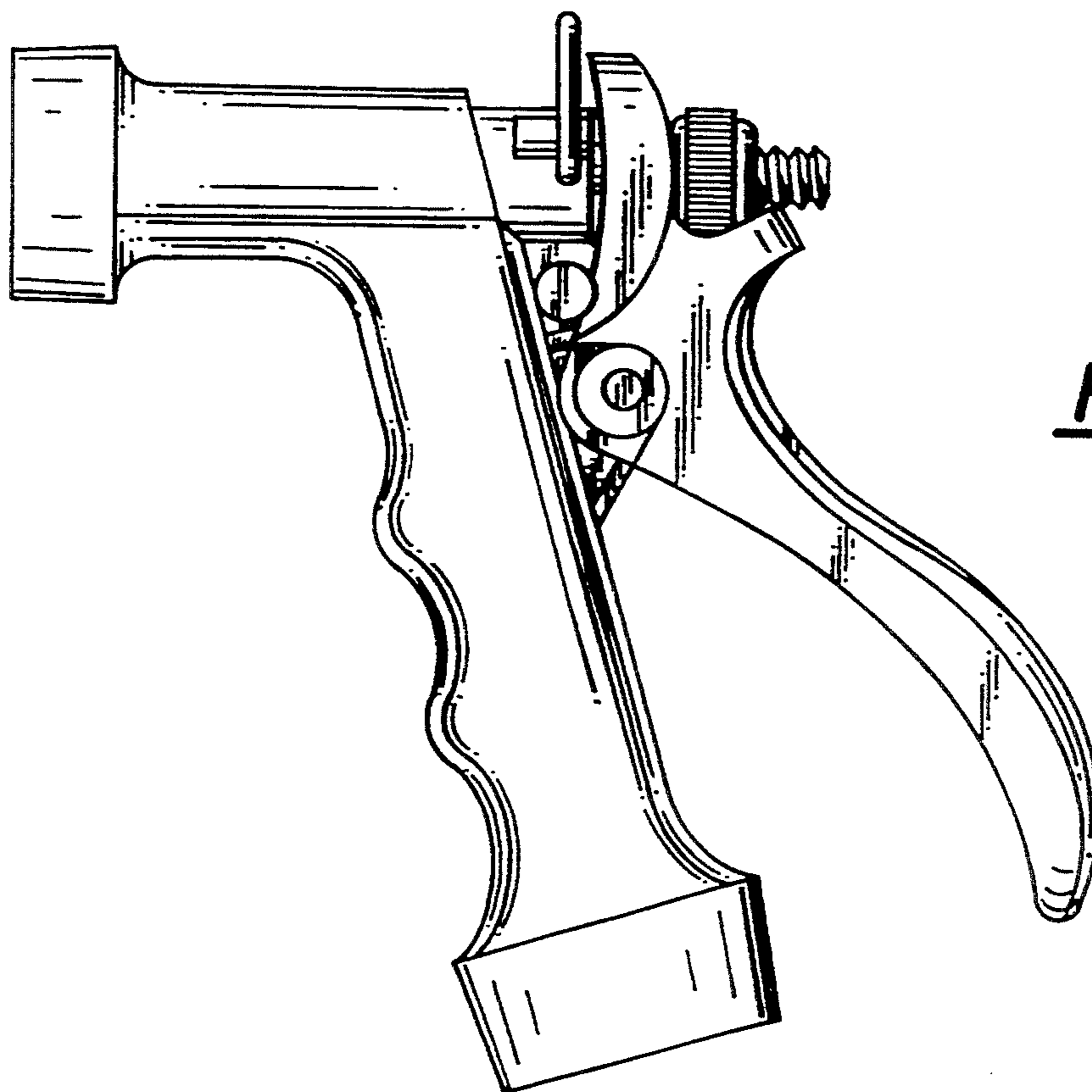


FIG. 2

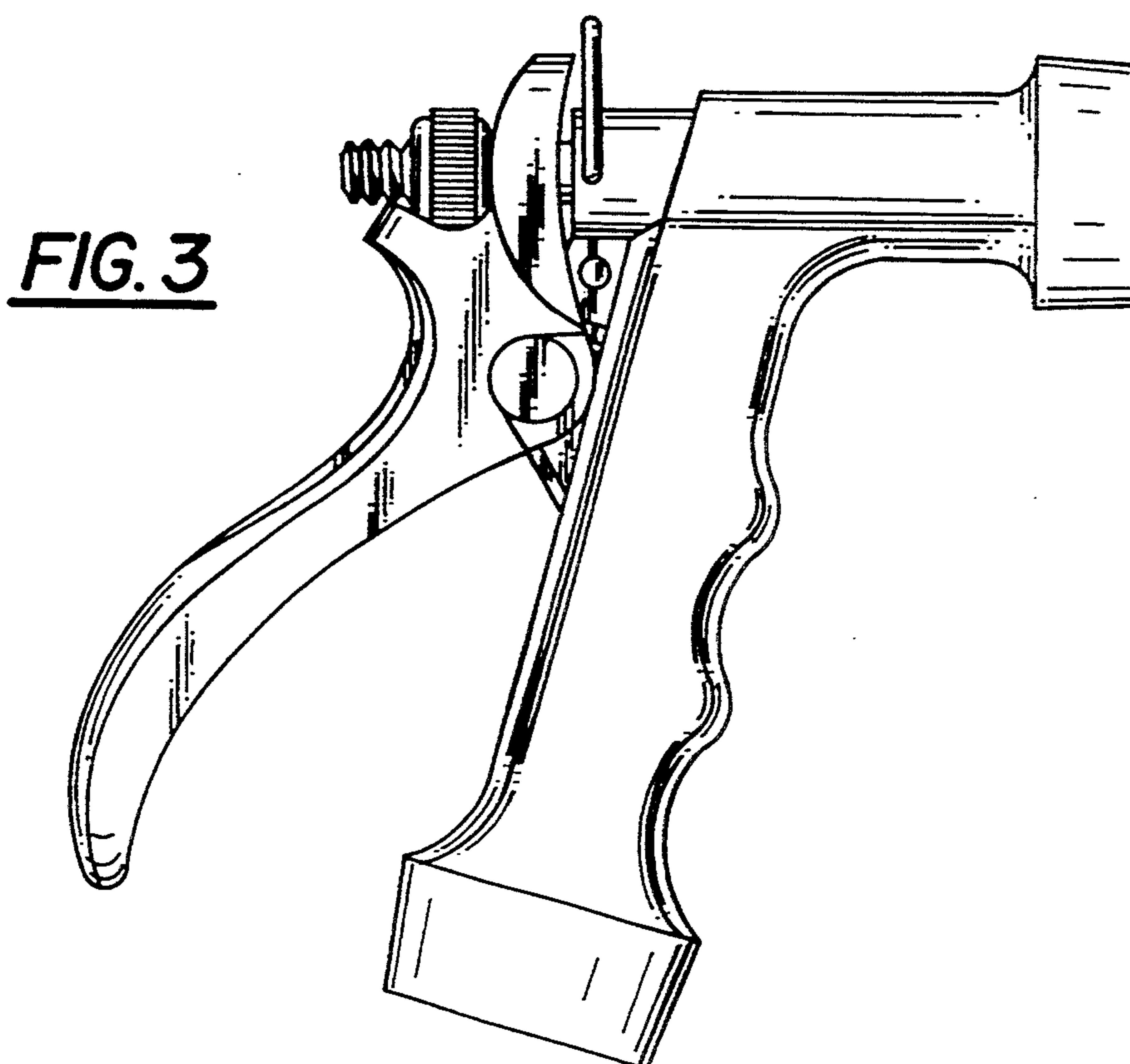


FIG. 3



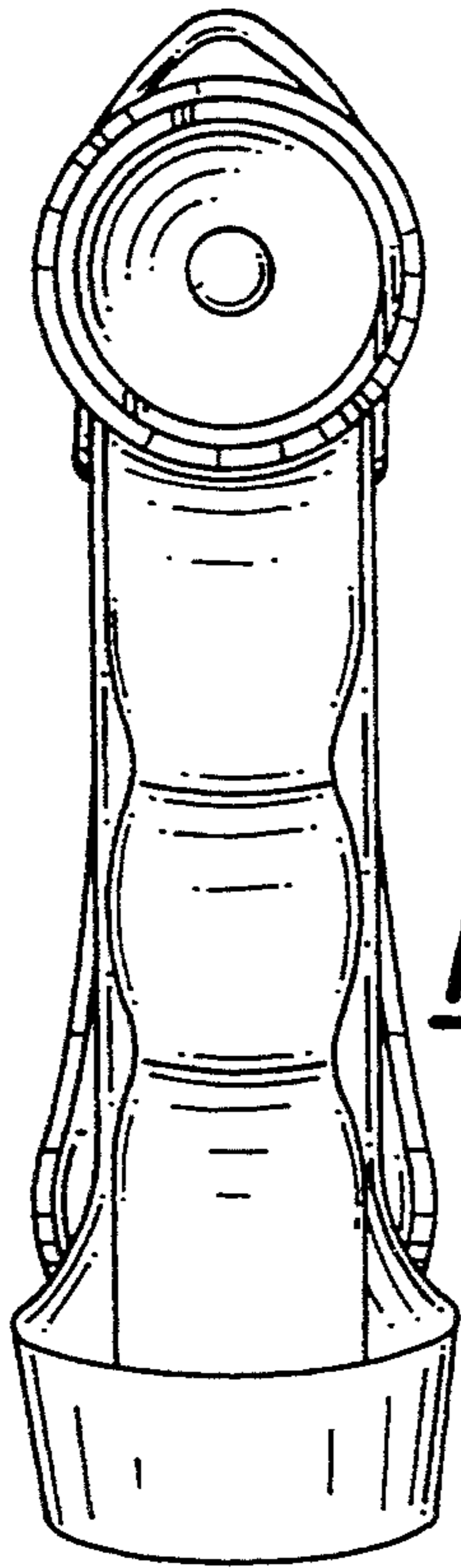


FIG. 4

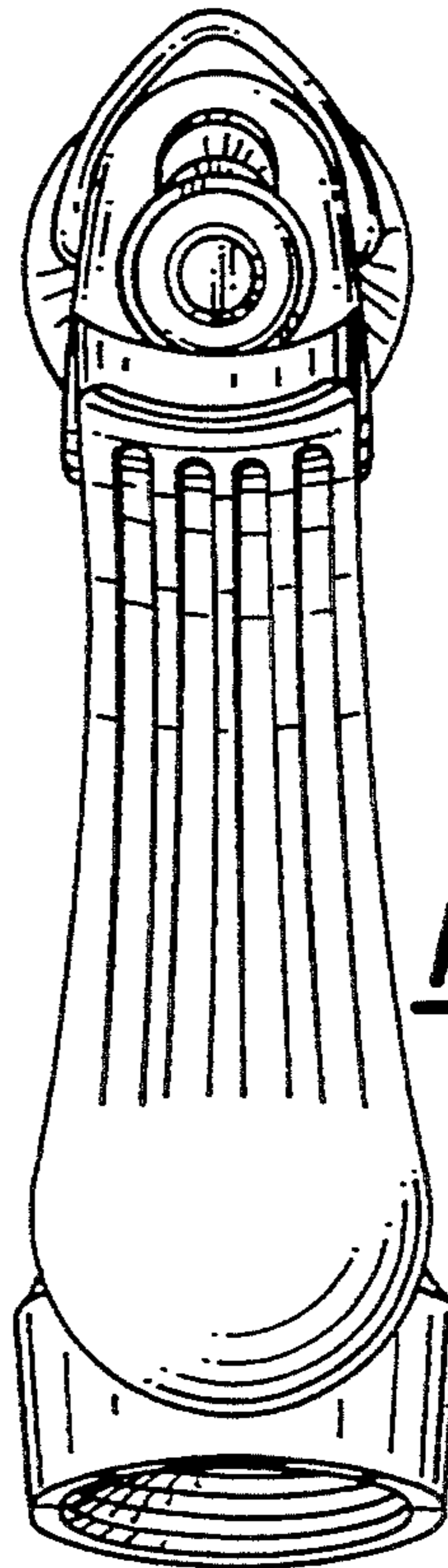


FIG. 5

FIG. 6

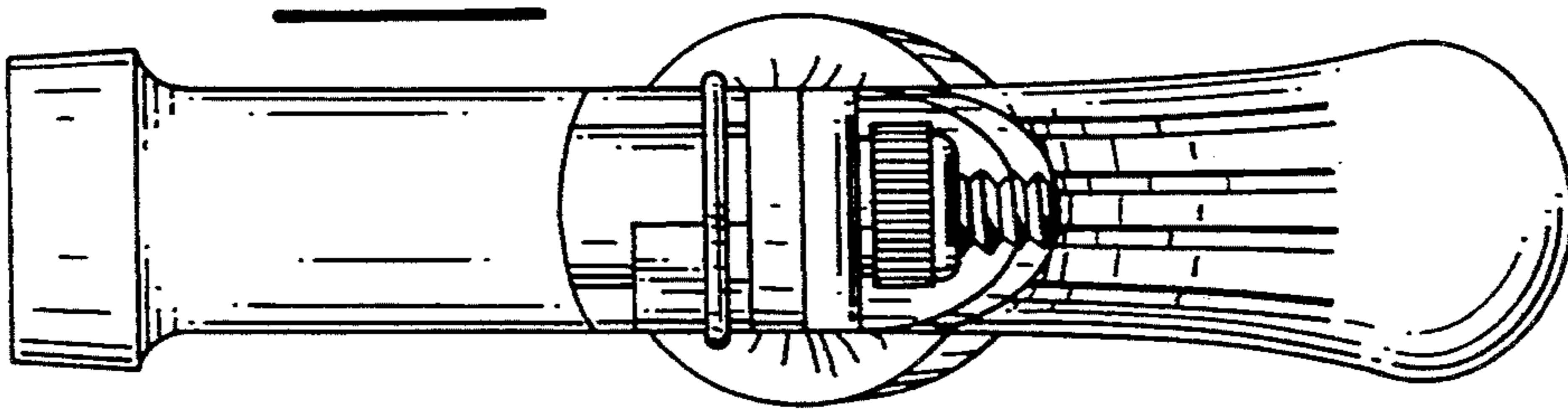
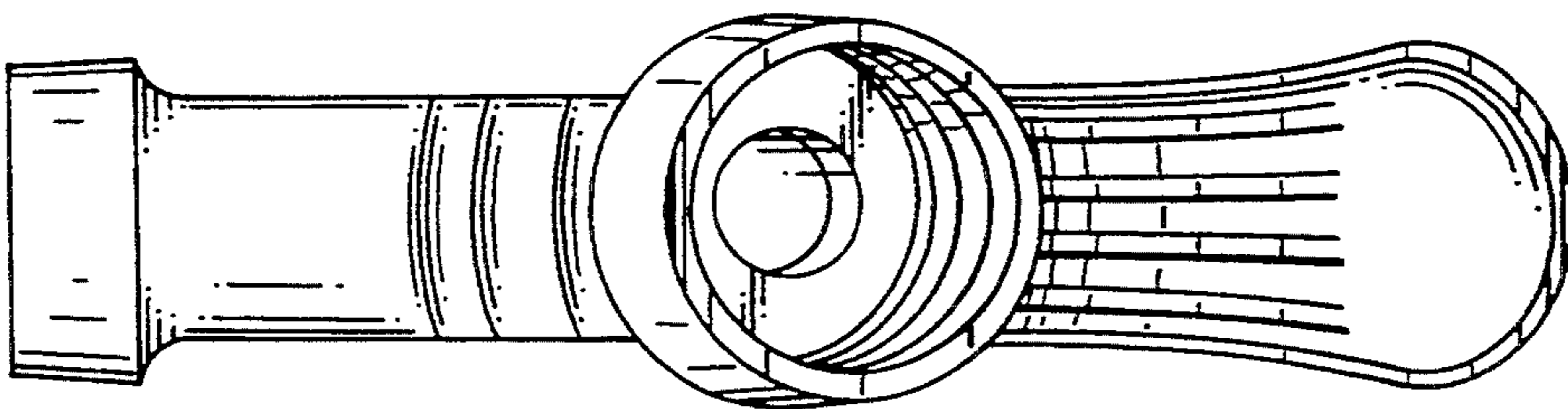


FIG. 7



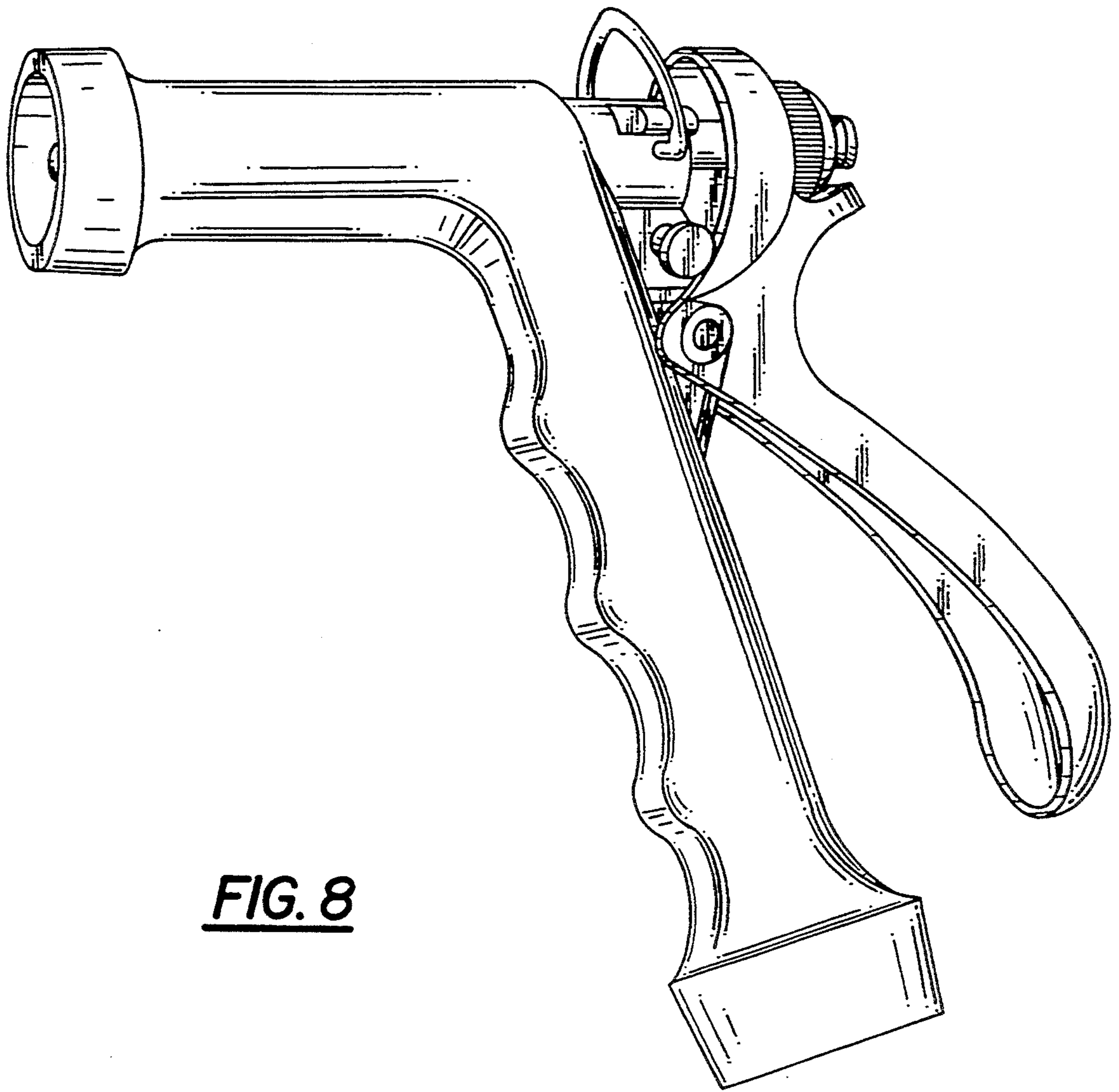


FIG. 8

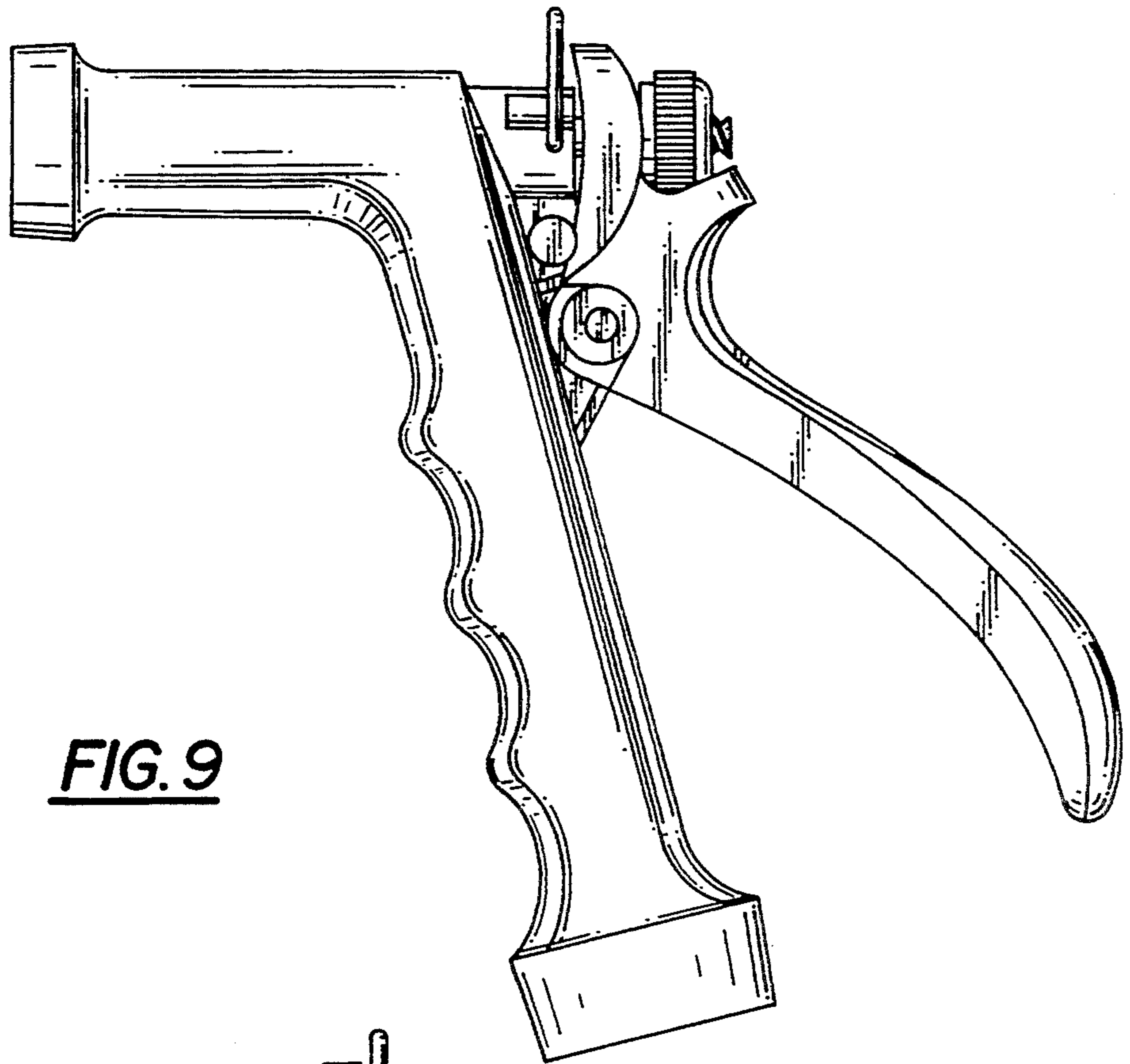


FIG. 9

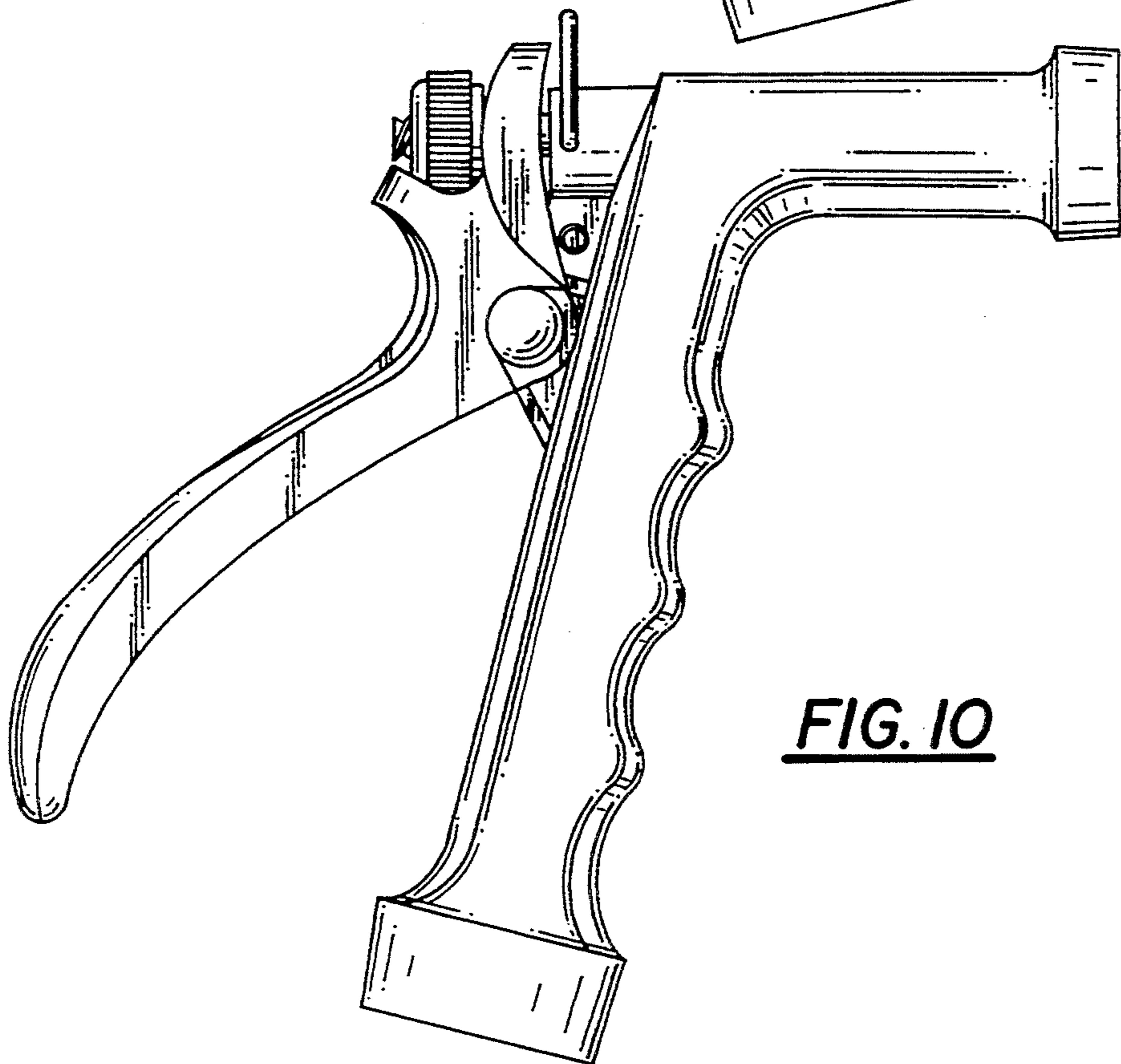
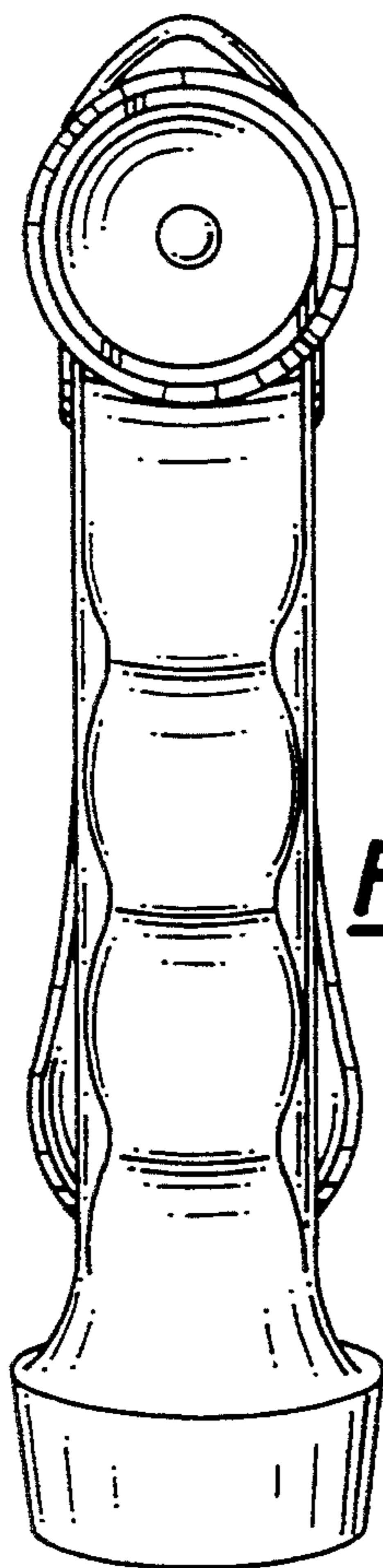
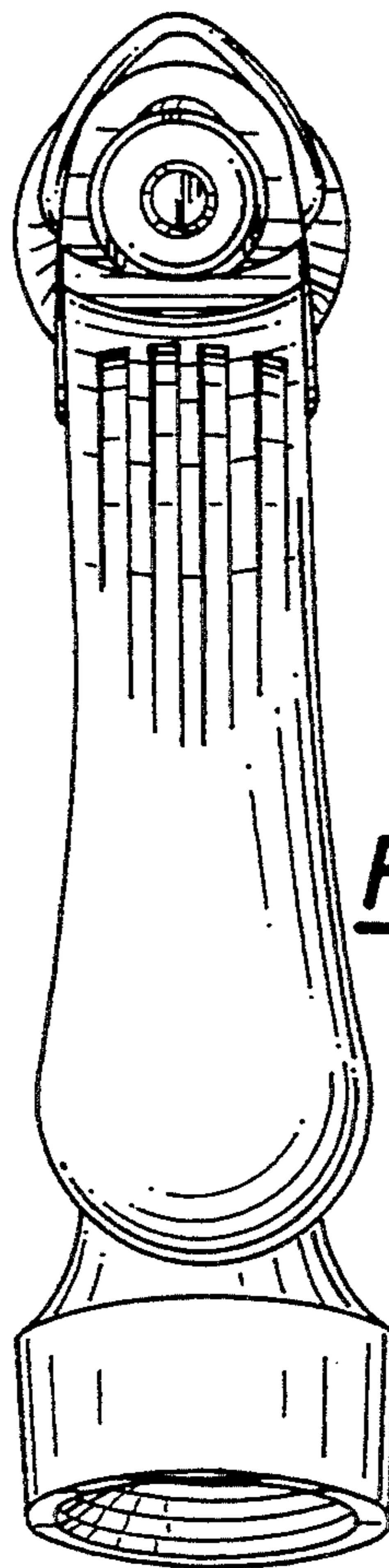


FIG. 10

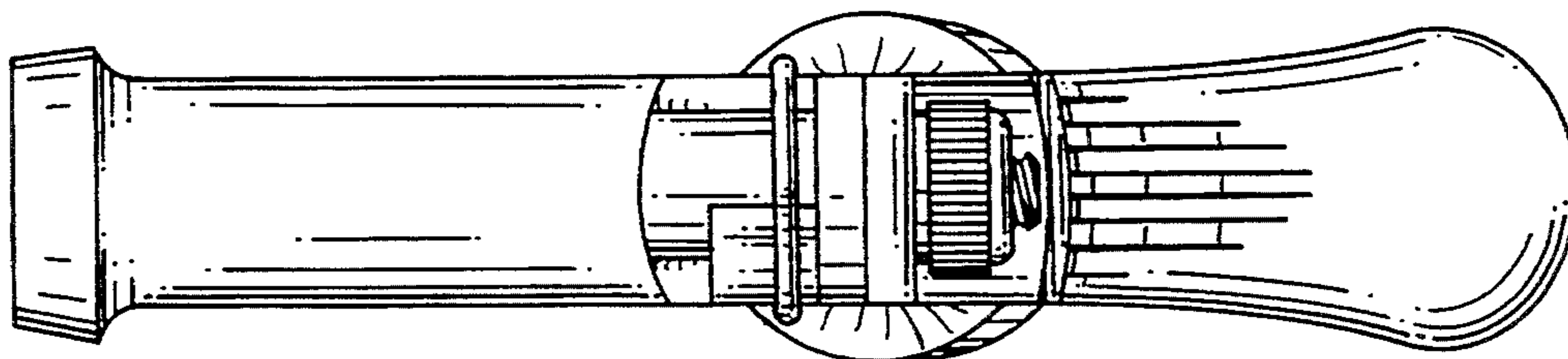


**FIG. 11**



**FIG. 12**

**FIG. 13**



**FIG. 14**

