



US00D361121S

United States Patent [19]

[11] Patent Number: **Des. 361,121**

Sellers

[45] Date of Patent: **** Aug. 8, 1995**

[54] **COMBINED LAWN SPRINKLER AND SIGNAL FLAG THEREFOR**

[76] Inventor: **Leonard W. Sellers**, 8047 S. Christina, Chicago, Ill. 60652

[**] Term: **14 Years**

[21] Appl. No.: **18,122**

[22] Filed: **Jan. 31, 1994**

[52] U.S. Cl. **D23/214**

[58] Field of Search **D23/213-219; 239/211, 242, 237-239, 225.1, 248, 230-233**

[56] **References Cited**

U.S. PATENT DOCUMENTS

- D. 218,972 10/1970 Mango et al. D23/216
- D. 281,996 12/1985 Hayes D23/216

OTHER PUBLICATIONS

Hardware Age, p. 48, Feb. 1960, Sell Allenco Sprinkler.

Allenco Catalog, p. 3, May 1959, Green Keeper Oscillator.

Seto Catalog, 1989, p. K61, Item A.

Seto Catalog, 1989, p. K67, Marking Flags.

Primary Examiner—Wallace R. Burke

Assistant Examiner—Robin V. Taylor

Attorney, Agent, or Firm—Kevin A. Sembrat

[57] **CLAIM**

The ornamental design for a combined lawn sprinkler and signal flag therefor, as shown and described.

DESCRIPTION

FIG. 1 is a left perspective view of the combined lawn sprinkler and signal flag therefor showing my new design;

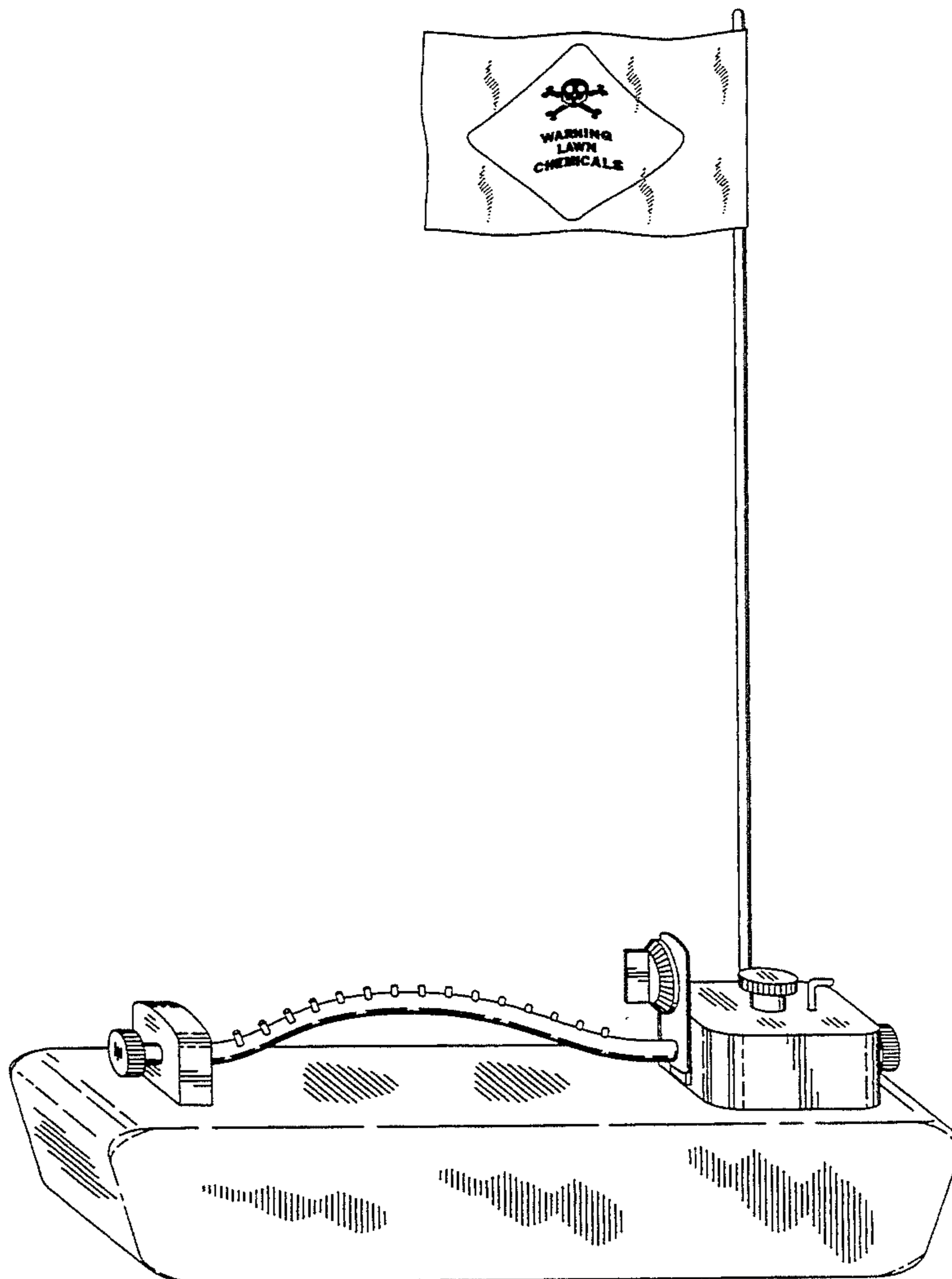
FIG. 2 is a right perspective view thereof;

FIG. 3 is a top plan view thereof;

FIG. 4 is a bottom plan view thereof;

FIG. 5 is a front elevation view thereof; and,

FIG. 6 is a back elevation view thereof.



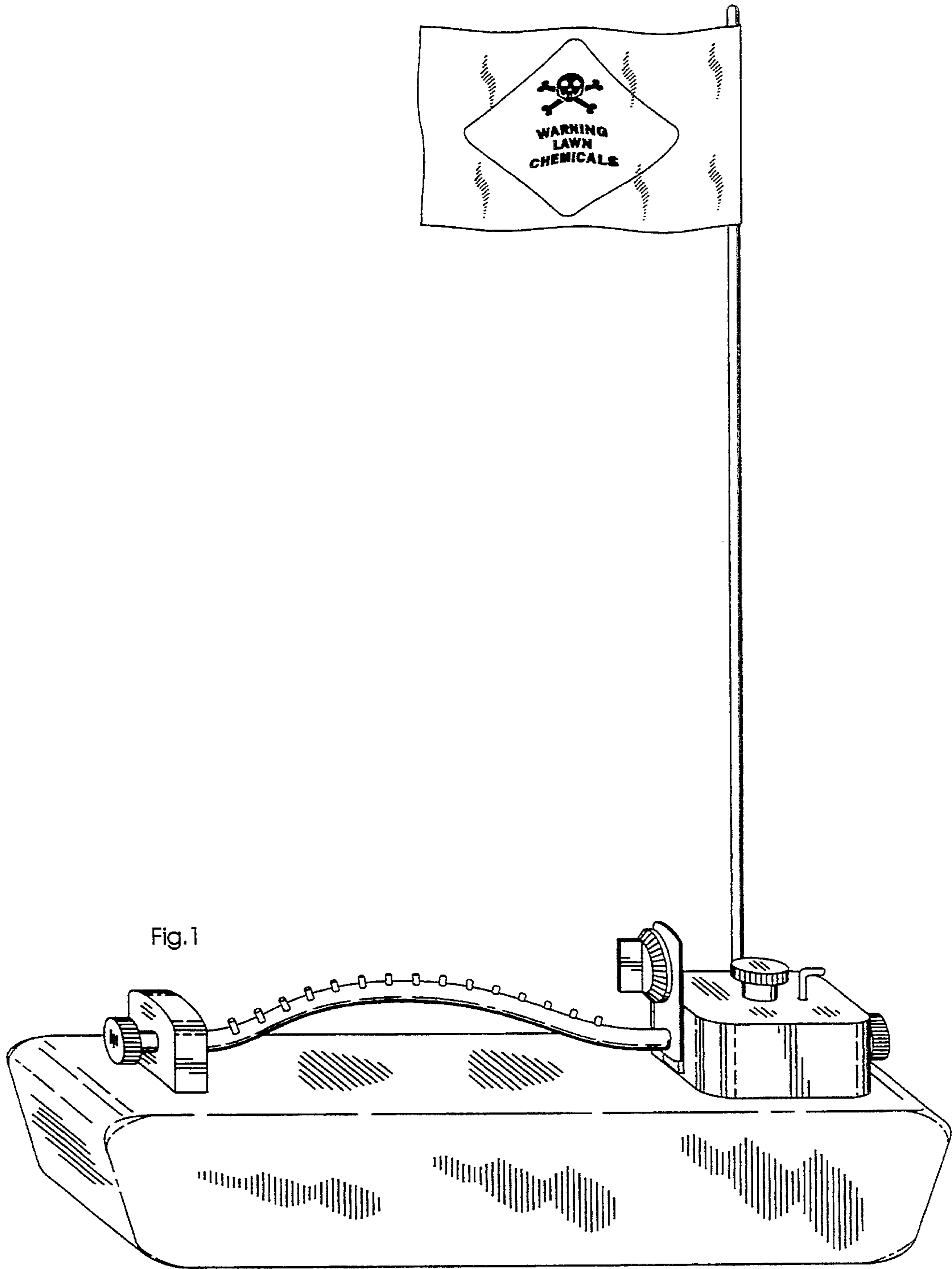


Fig.1

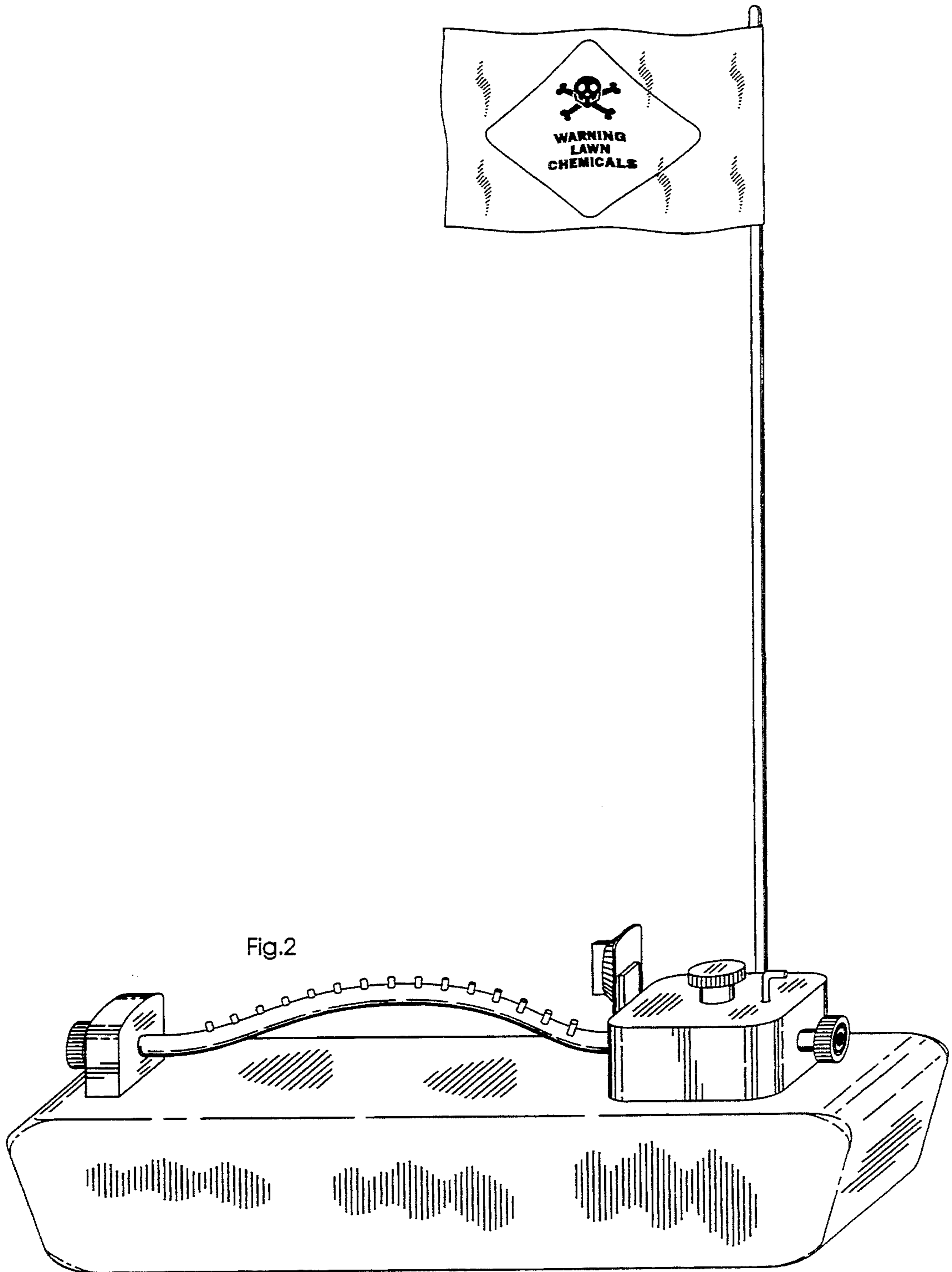


Fig.3

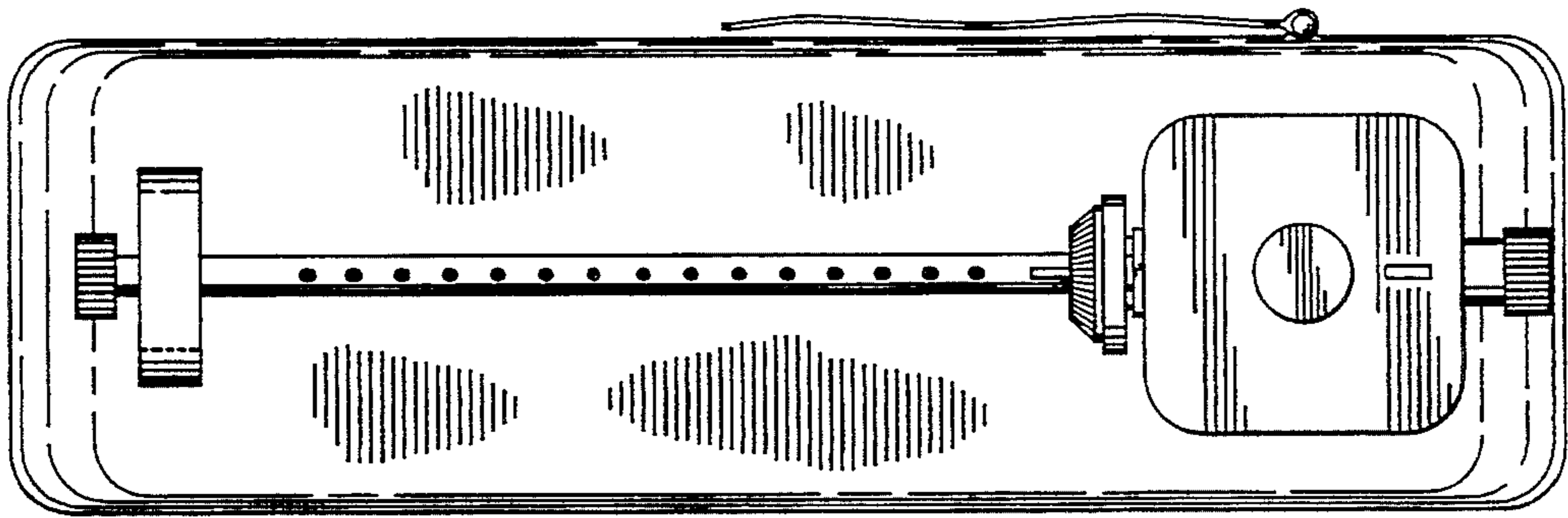
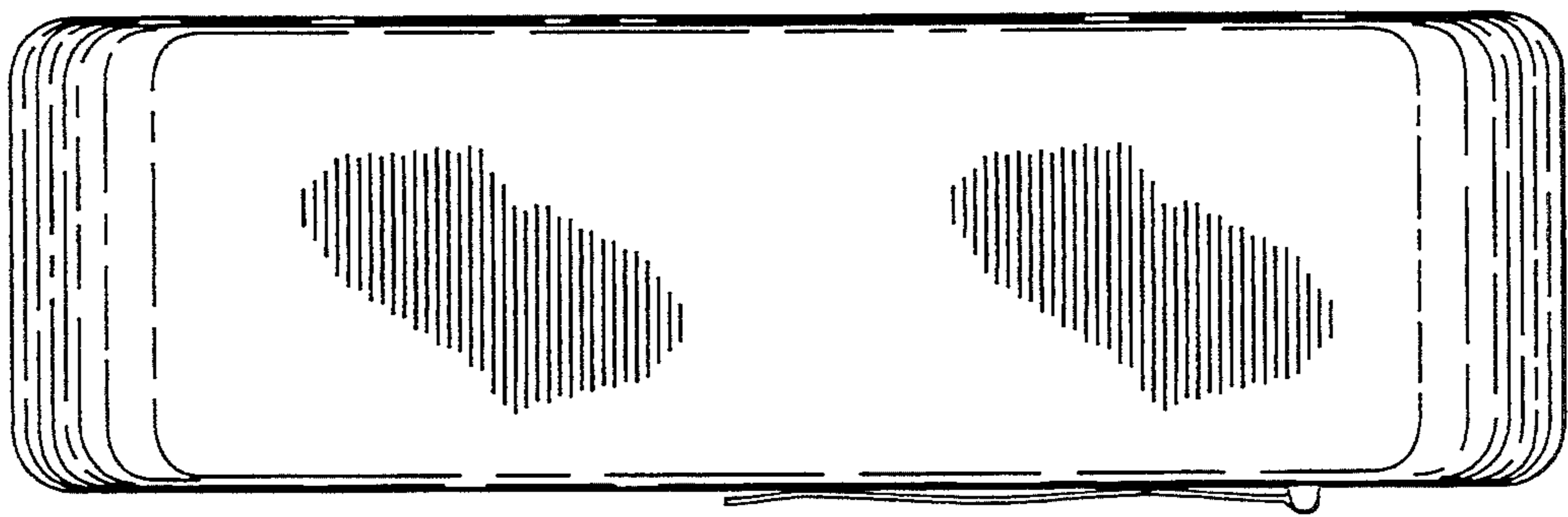
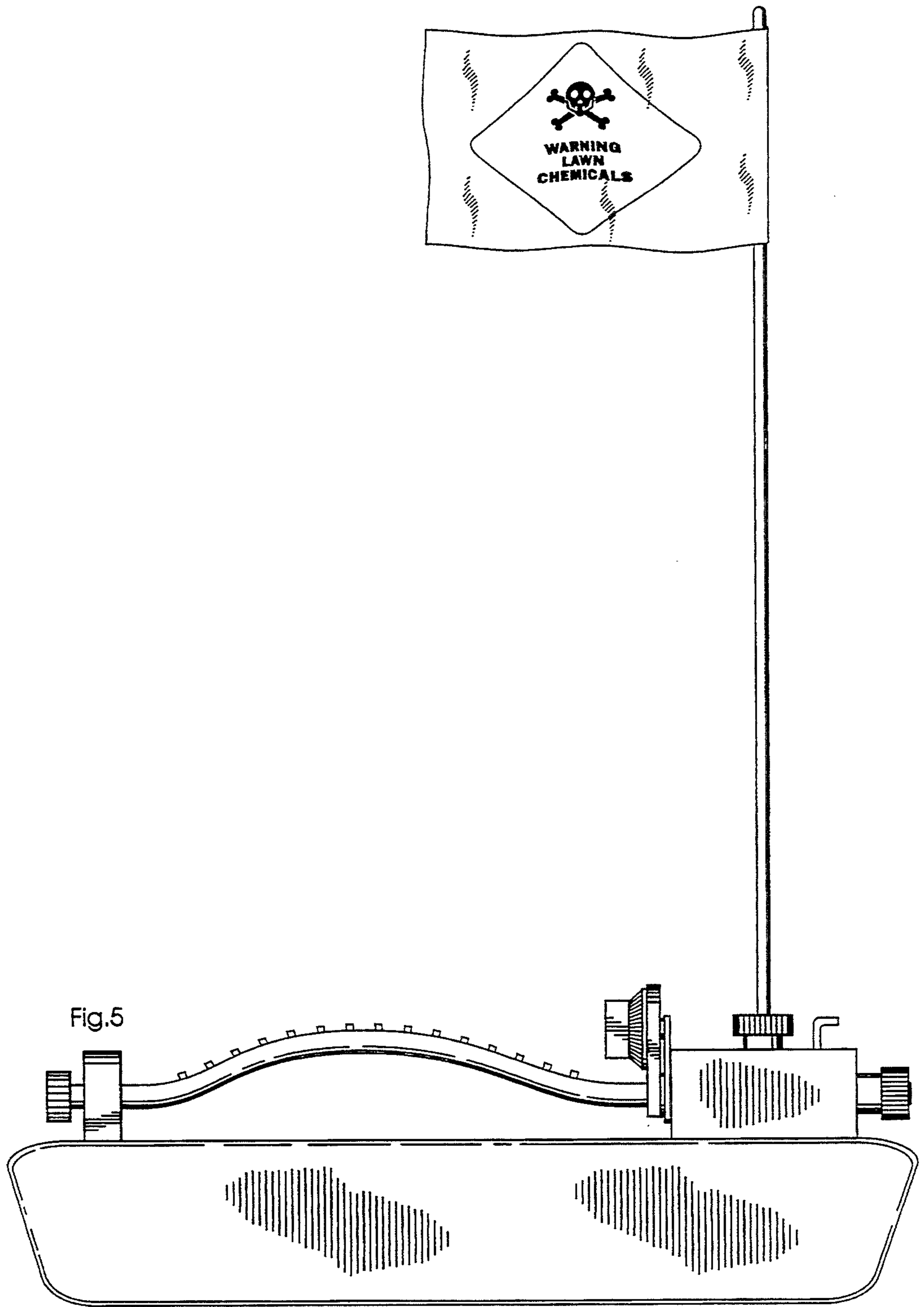


Fig.4





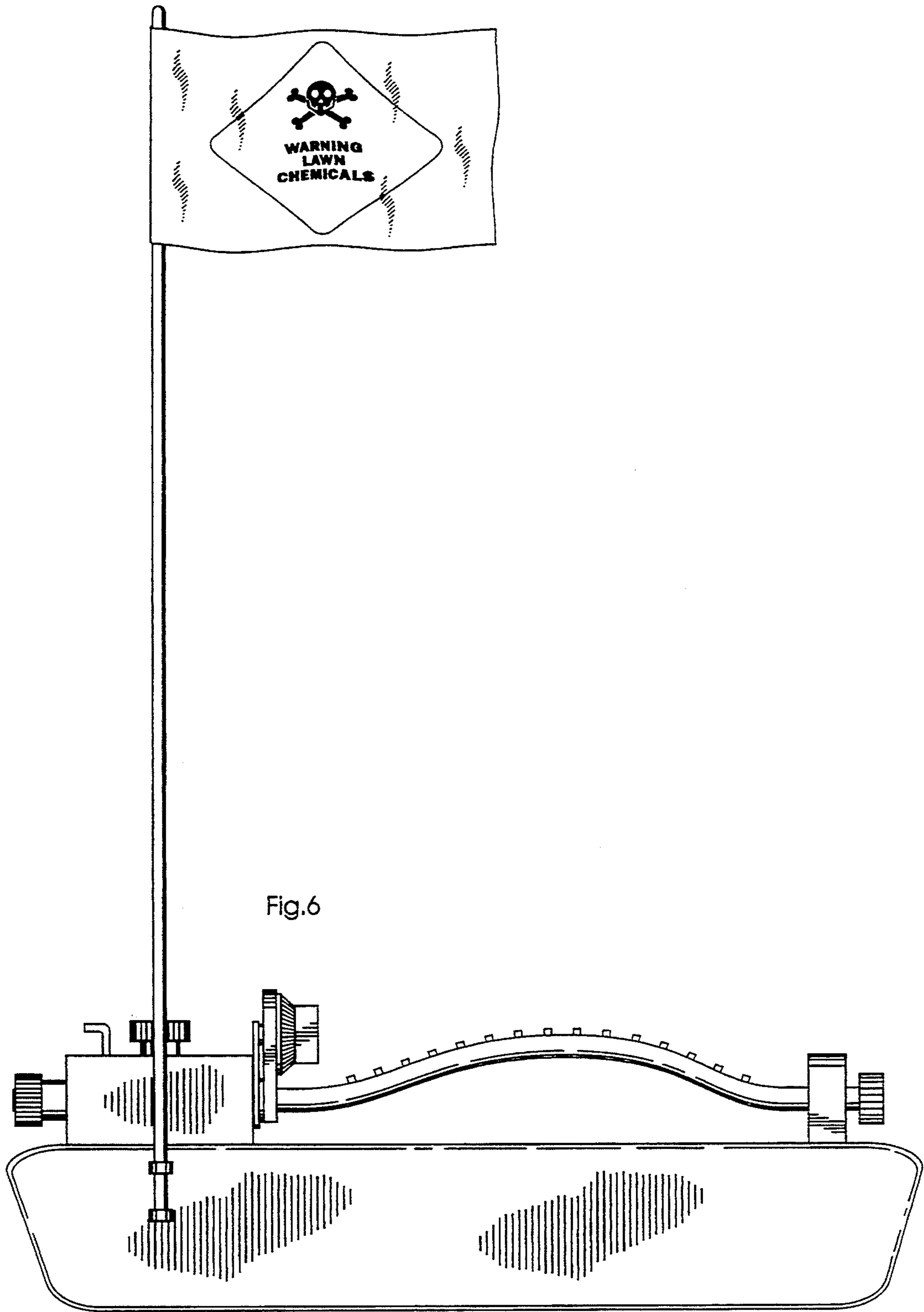


Fig.6