



US00D361120S

United States Patent [19]

[11] Patent Number: **Des. 361,120**

Fan

[45] Date of Patent: **** Aug. 8, 1995**

[54] **SHOWER HEAD**

3,647,145 3/1972 Nelson 239/460

[76] Inventor: **Chen-Yueh Fan**, 3Fl., No. 2, Alley 2, Lane 88, Sec. 2, Shui Yuan Rd., Hsin Chih Chen, Taipei Hsien,

Primary Examiner—A. Hugo Word
Assistant Examiner—Robin V. Taylor
Attorney, Agent, or Firm—Morton J. Rosenberg; David I. Klein

[**] Term: **14 Years**

[21] Appl. No.: **30,370**

[57] **CLAIM**

[22] Filed: **Oct. 28, 1994**

The ornamental design for a shower head, as shown and described.

[52] U.S. Cl. **D23/213**

[58] Field of Search D23/213, 223-229; 239/394, 282, 268, 456-460, 443-449, 390-391, 380-383, 562-567; 4/567, 570, 596, 615

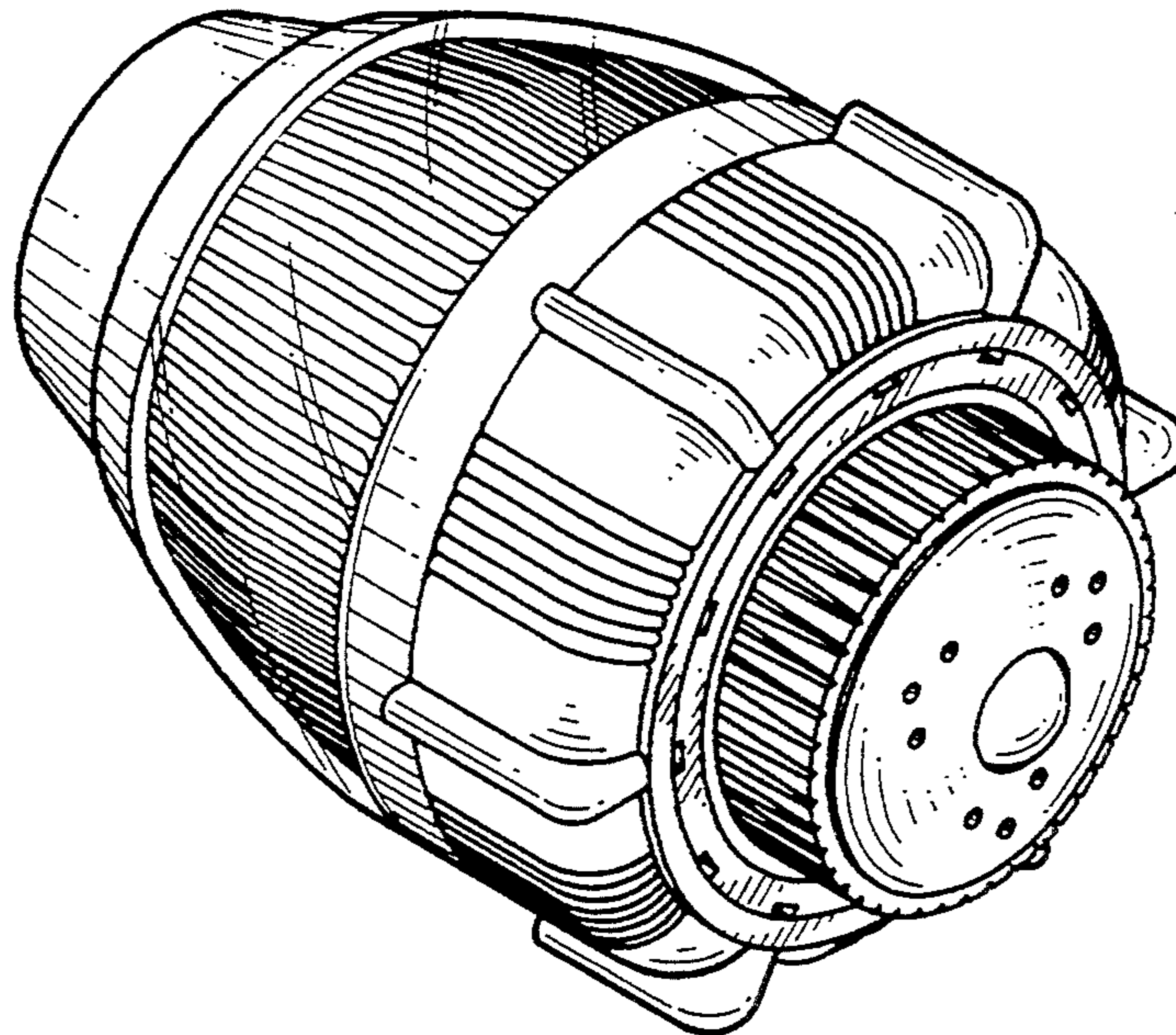
DESCRIPTION

[56] **References Cited**

U.S. PATENT DOCUMENTS

D. 313,456	1/1991	Presman	D23/213
D. 313,833	1/1991	Presman	D23/213
D. 314,608	2/1991	Presman	D23/213
D. 315,191	3/1991	Mikol	D23/213
D. 355,951	2/1995	Ran	D23/213

FIG. 1 is a perspective view of a shower head showing my new design;
FIG. 2 is a front view thereof;
FIG. 3 is a rear view thereof;
FIG. 4 is a left side view thereof;
FIG. 5 is a right side view thereof;
FIG. 6 is a top plan view thereof;
FIG. 7 is a bottom plan view thereof; and,
FIG. 8 is a bottom plan view of the shower head with a shower face thereof retracted.



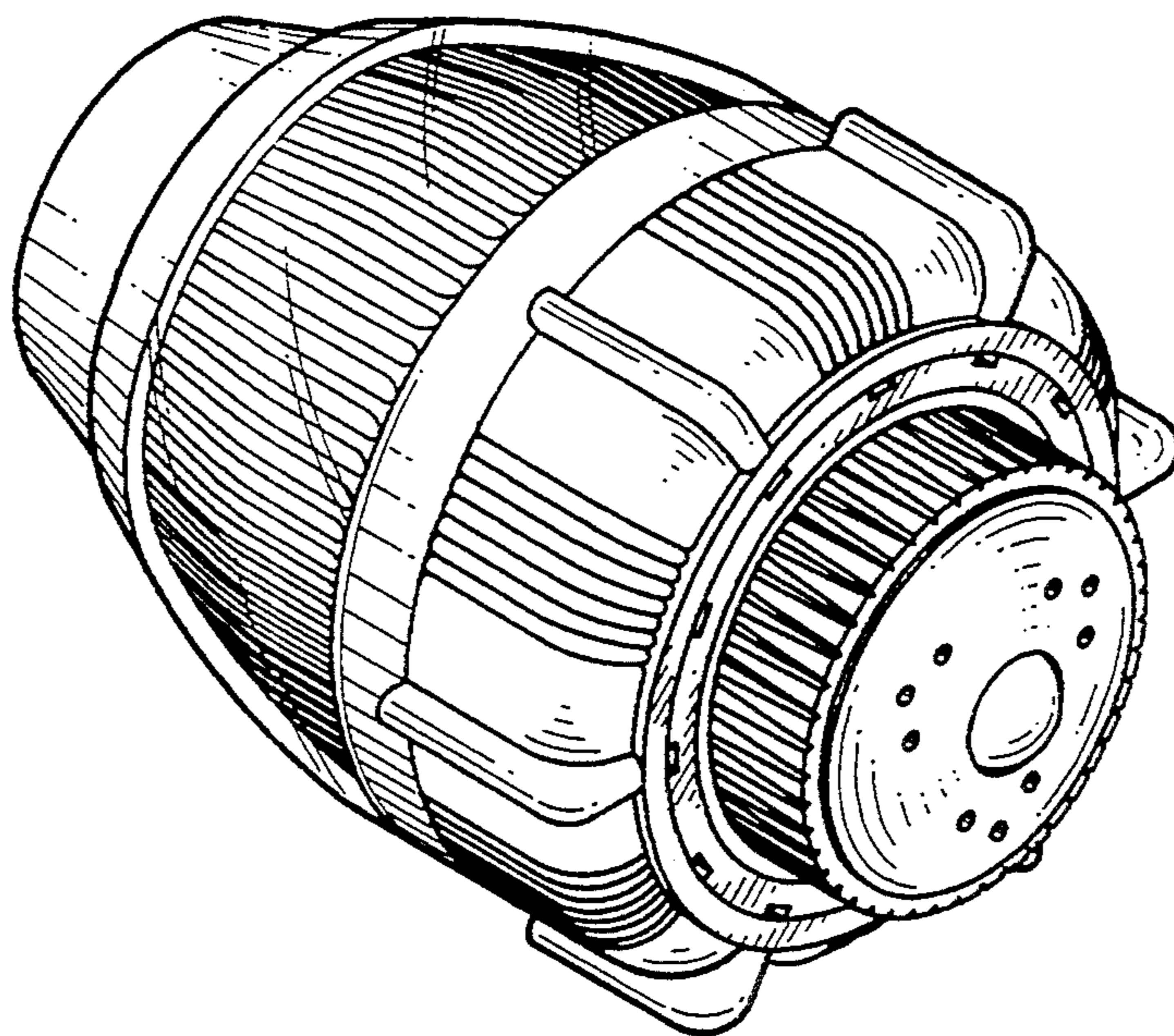


FIG. 1

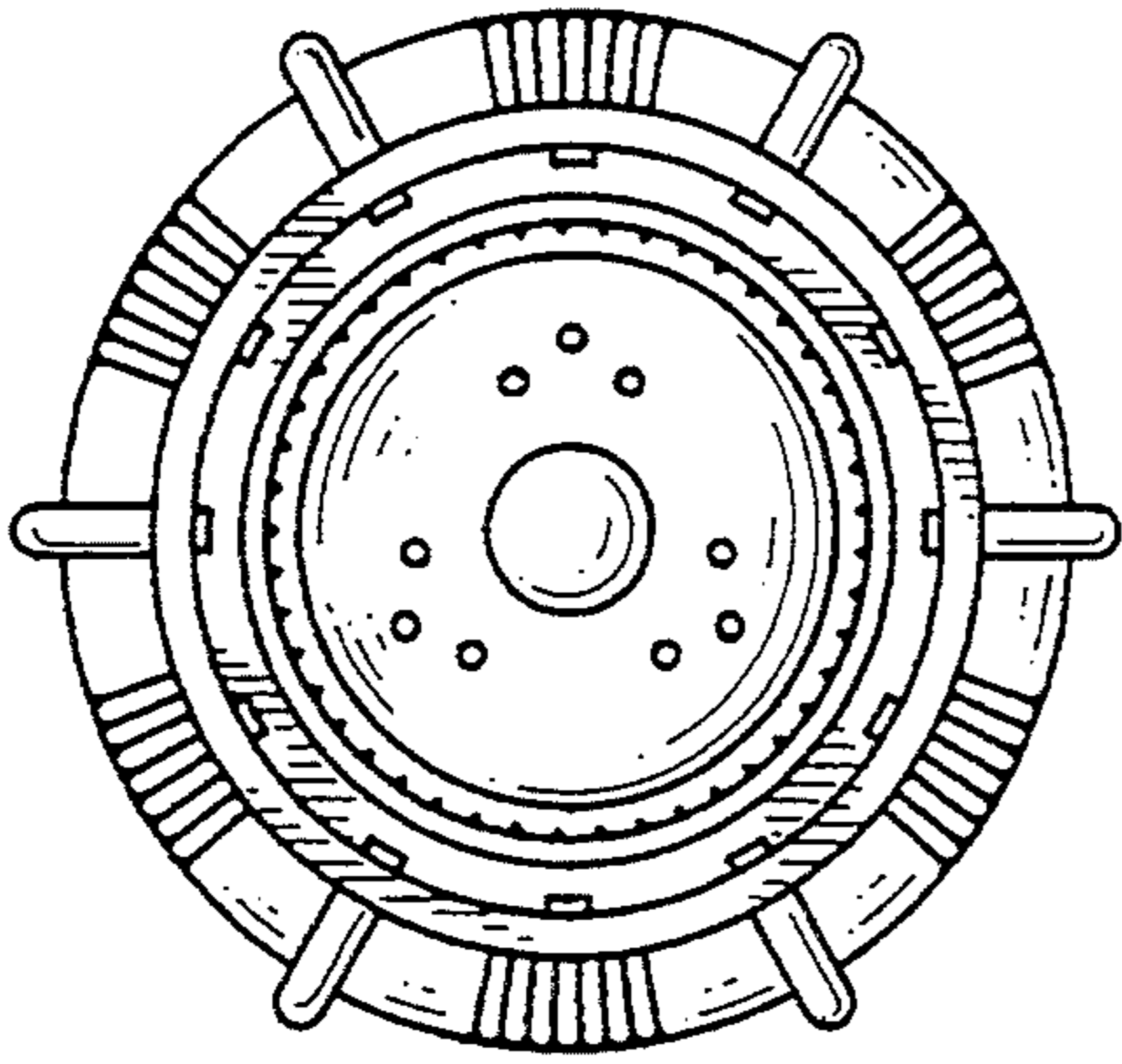


FIG. 2

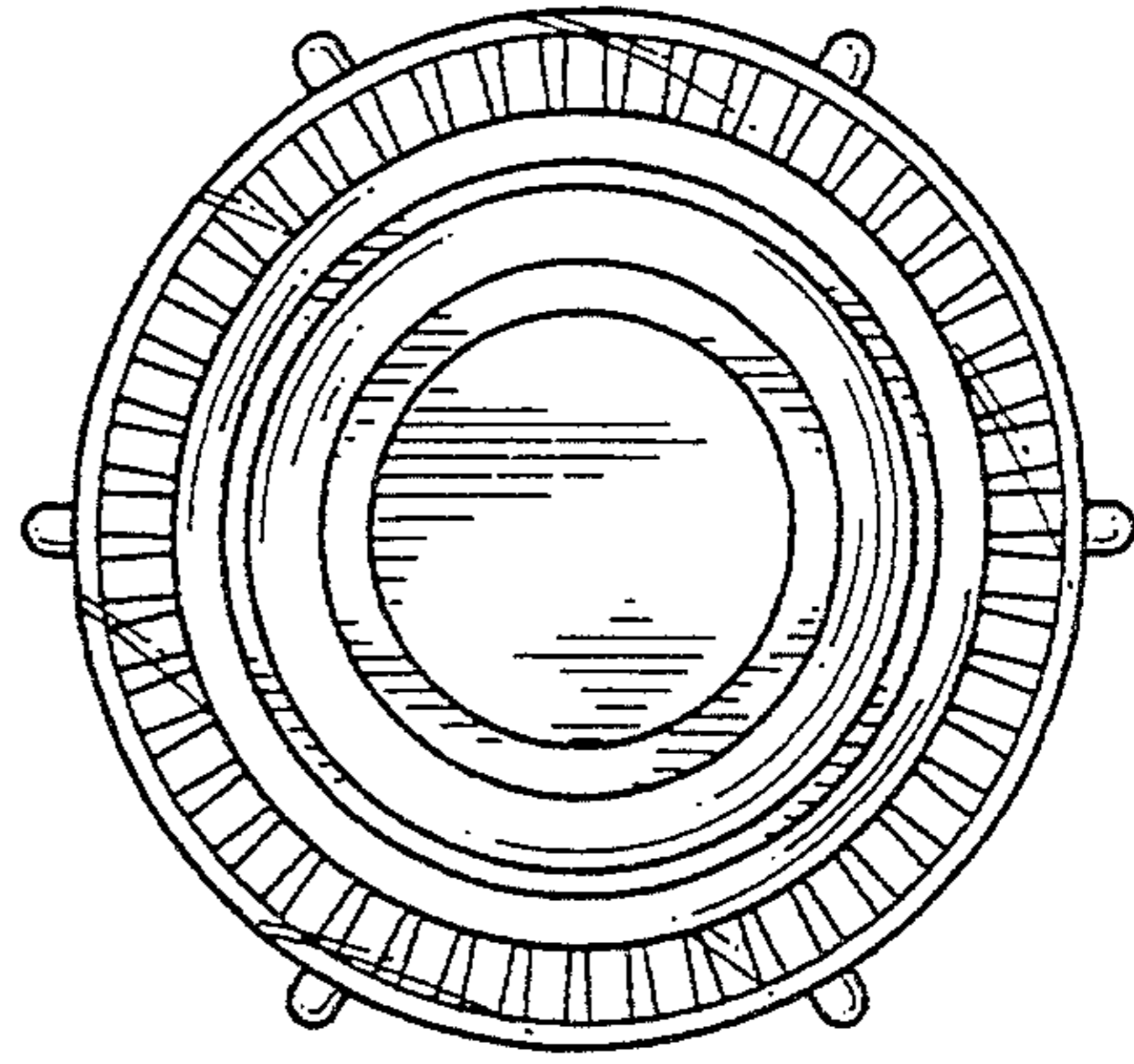


FIG. 3

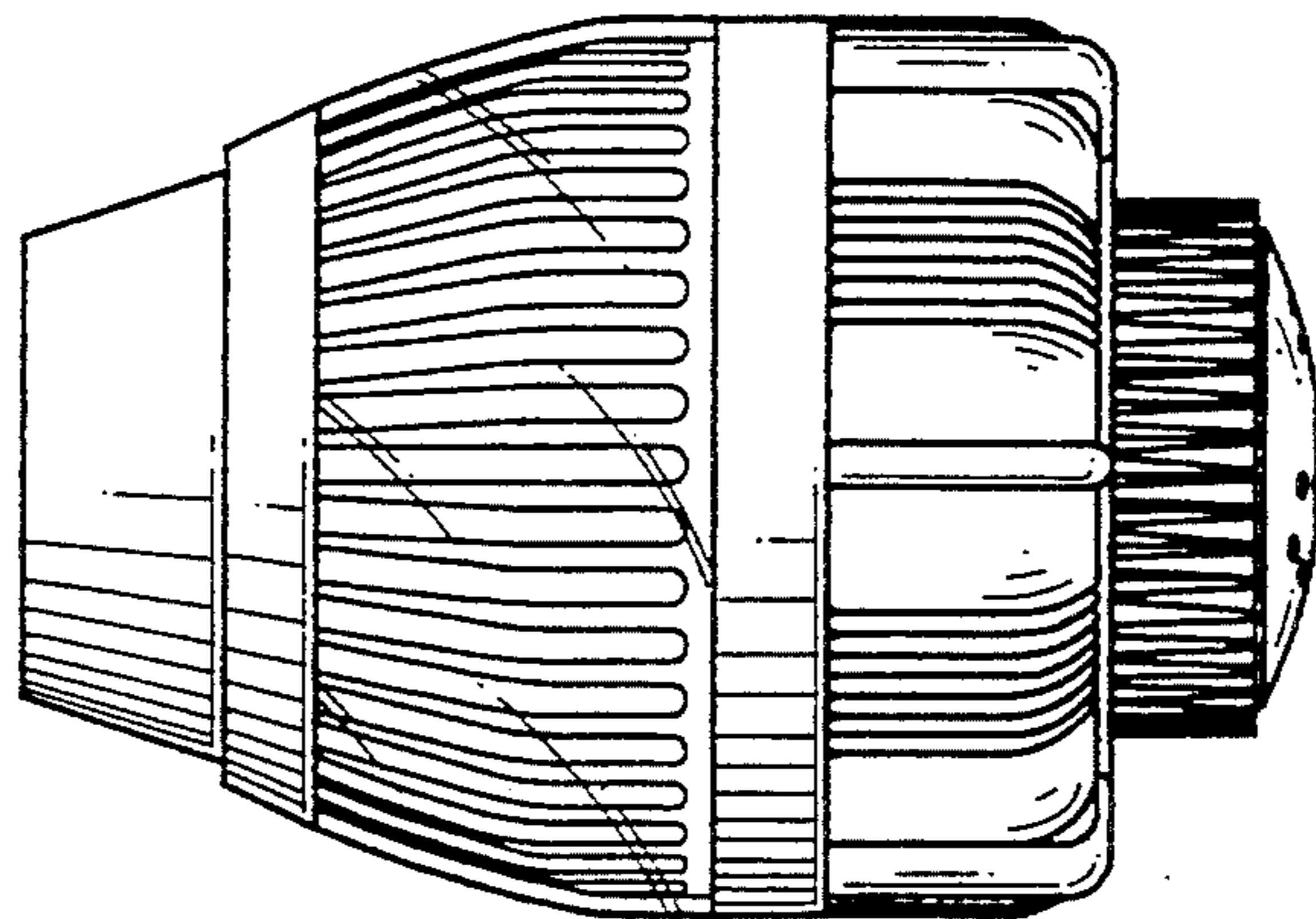


FIG. 4

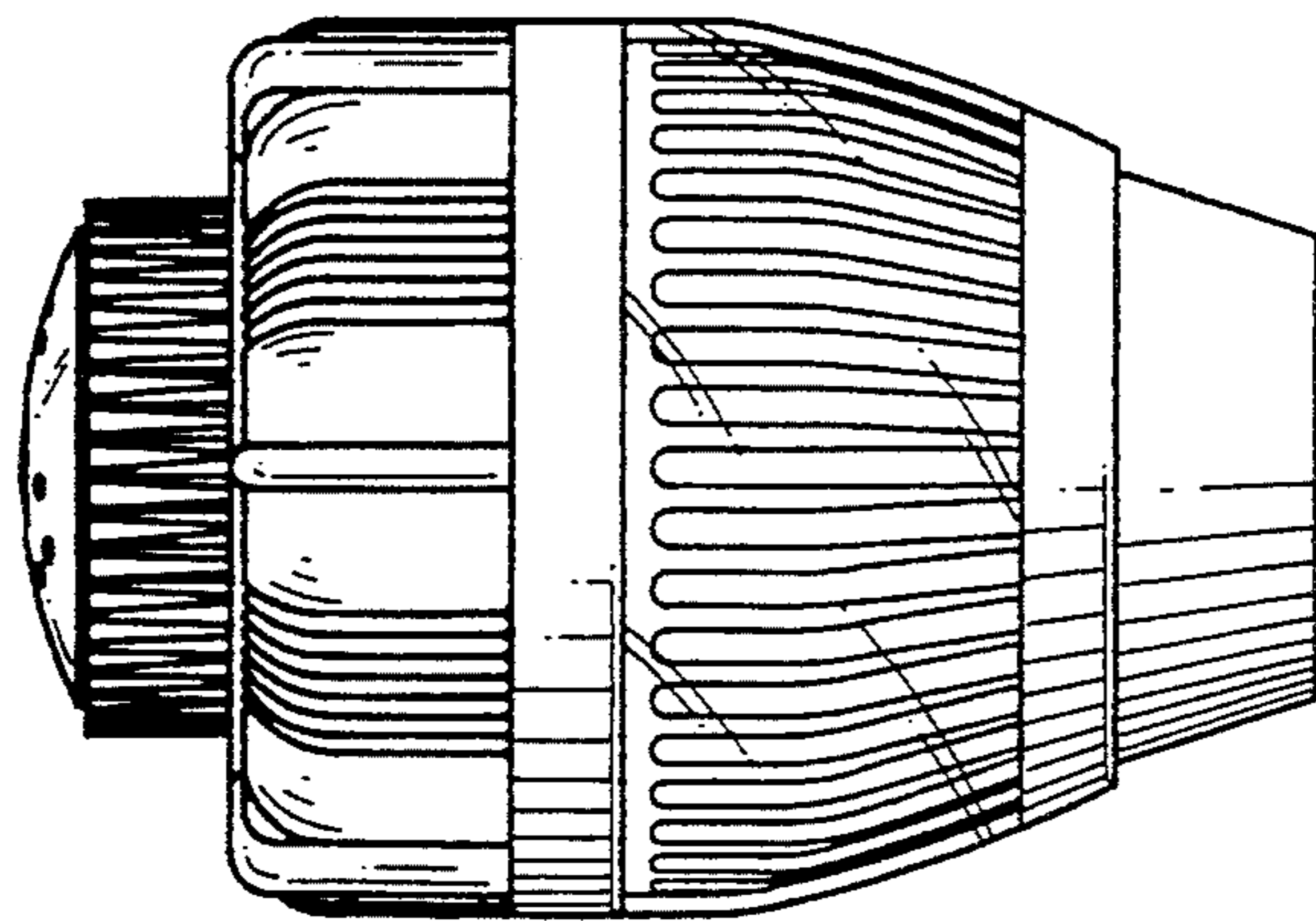


FIG. 5

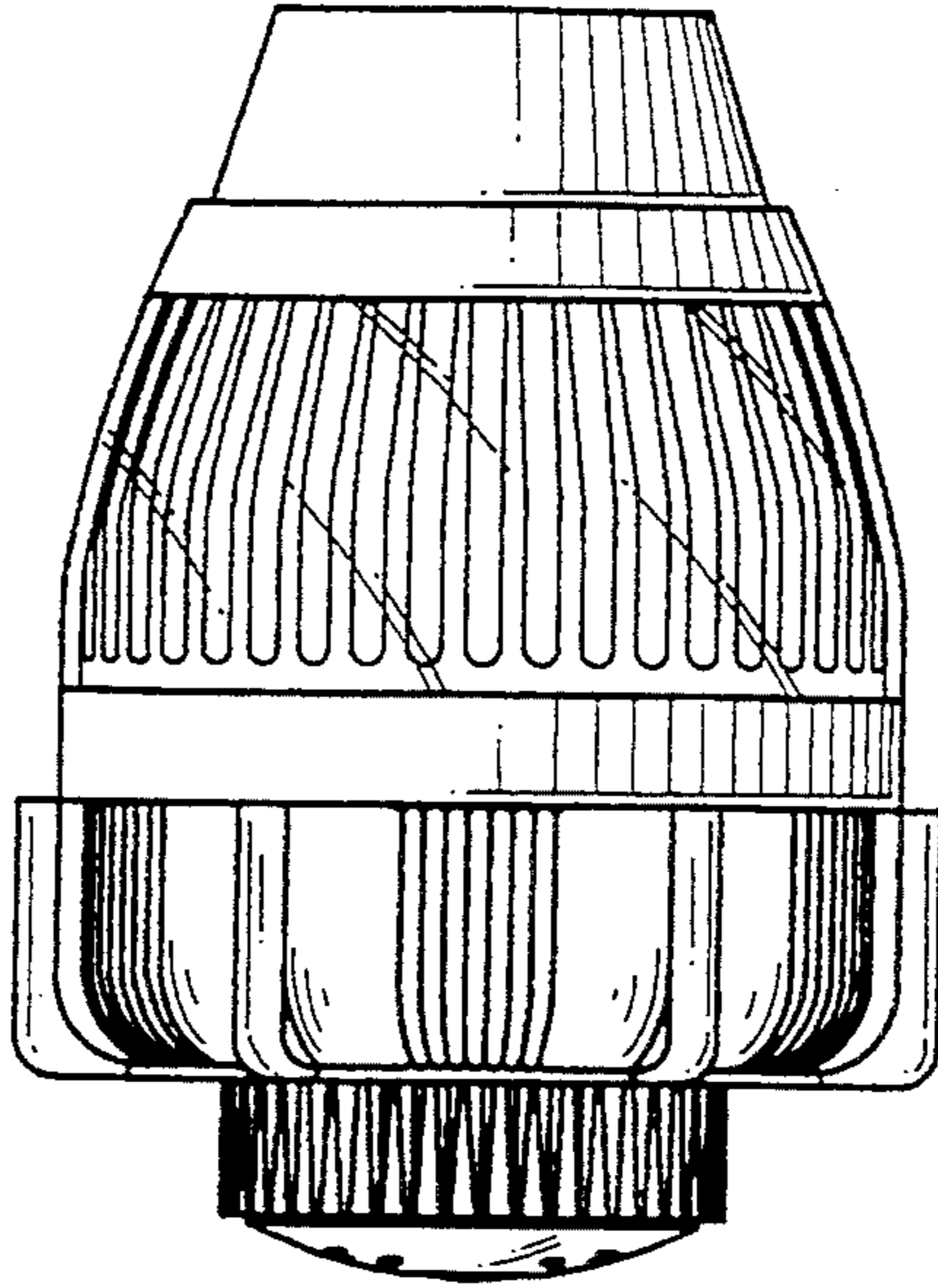


FIG. 6

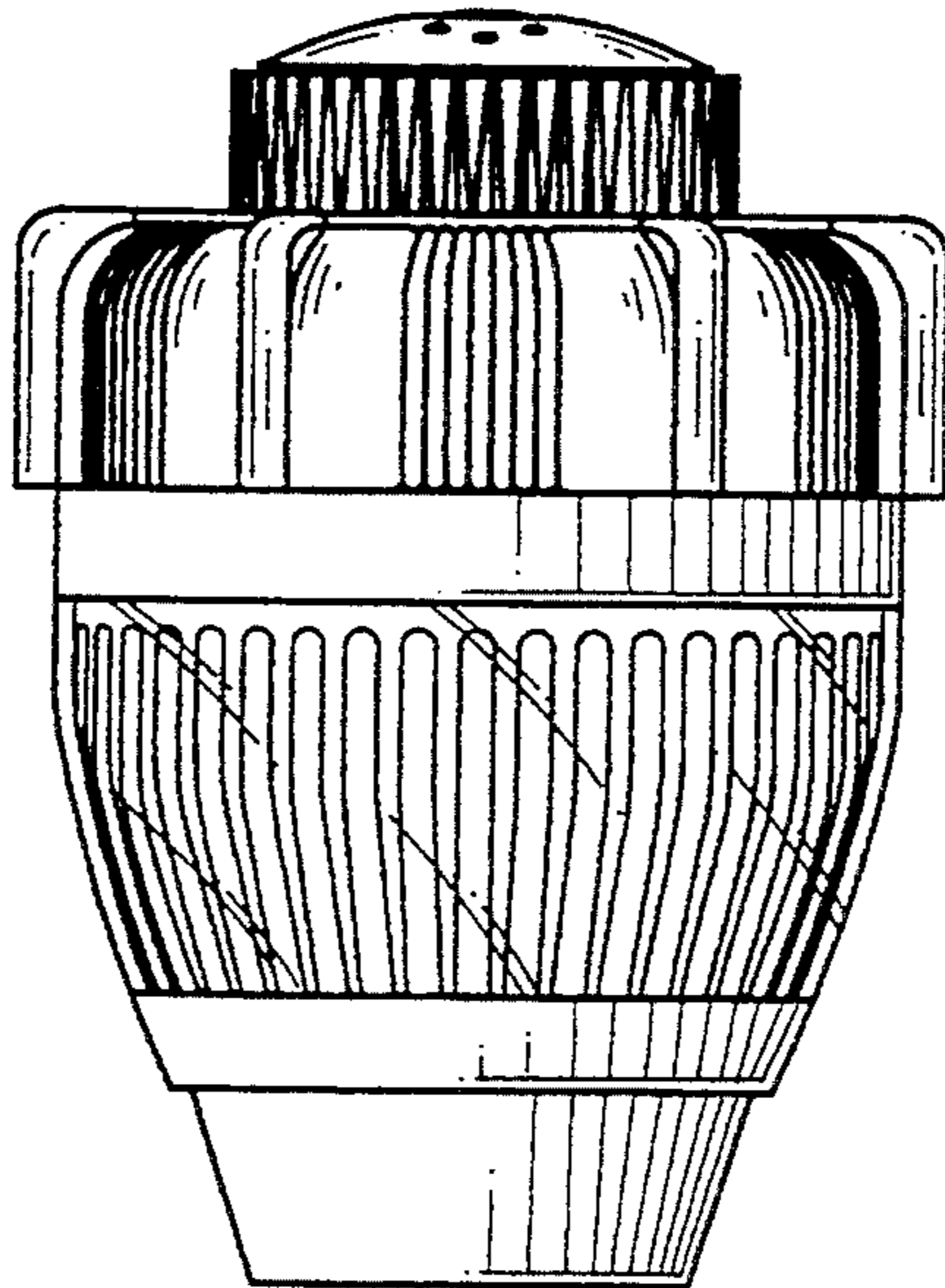


FIG. 7

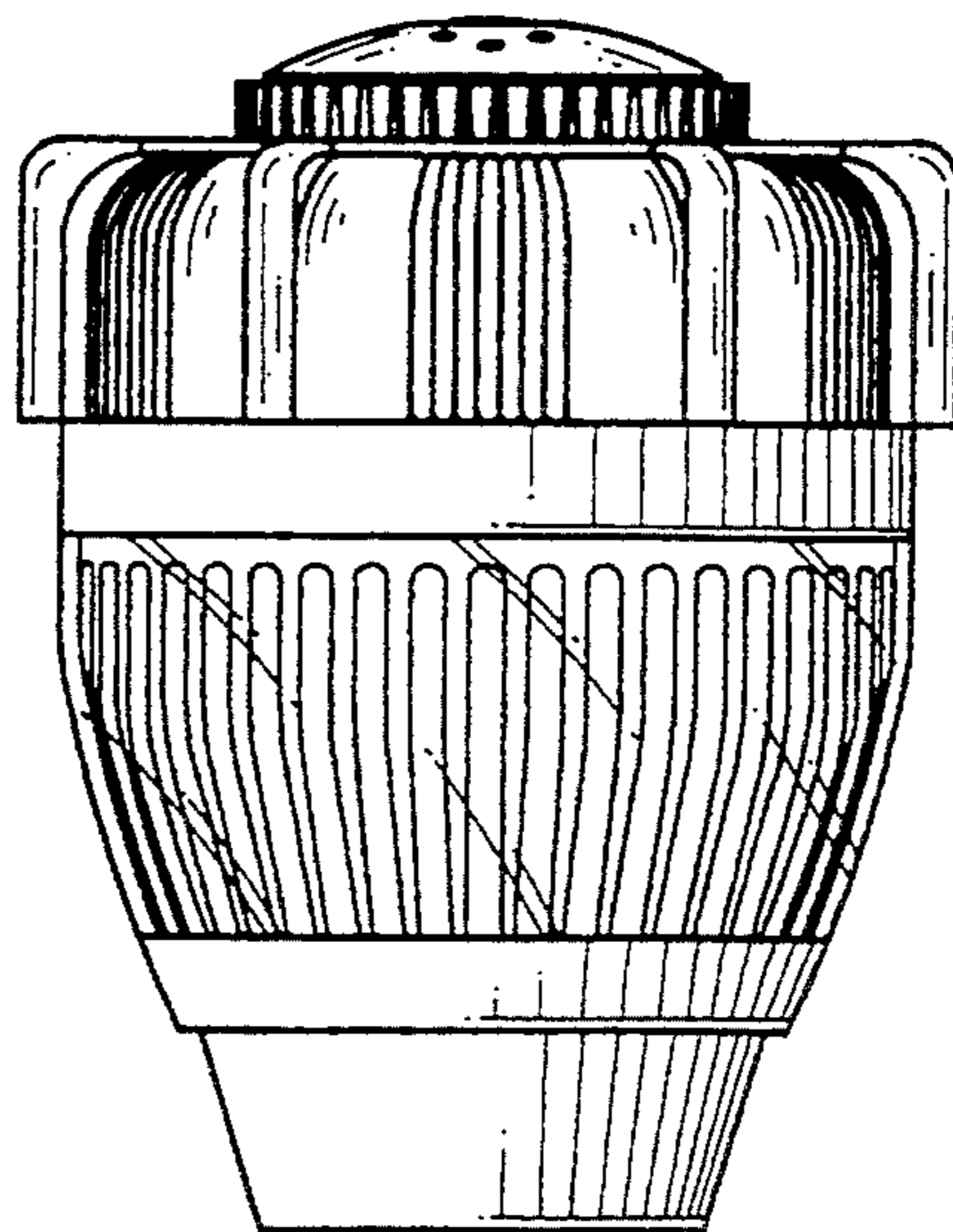


FIG. 8