



US00D361119S

United States Patent [19]

[11] Patent Number: **Des. 361,119**

Hawks, Jr.

[45] Date of Patent: **** Aug. 8, 1995**

[54] **PORTABLE SPRAYING UNIT**

4,570,855 2/1986 Johnston 239/195

[76] Inventor: **Bill J. Hawks, Jr.**, 8253 Greenbriar Ct., Wichita, Kans. 67226

Primary Examiner—James M. Gandy
Assistant Examiner—Robin Taylor
Attorney, Agent, or Firm—Herzog, Crebs & McGhee

[**] Term: **14 Years**

[57] **CLAIM**

[21] Appl. No.: **948,733**

The ornamental design of a portable spraying unit, as shown and described.

[22] Filed: **Sep. 14, 1992**

[52] U.S. Cl. **D23/213**

[58] Field of Search D23/213, 225; D8/356, D8/358; 242/86; 239/195, 196, 197, 124, 302, 303, 305, 308

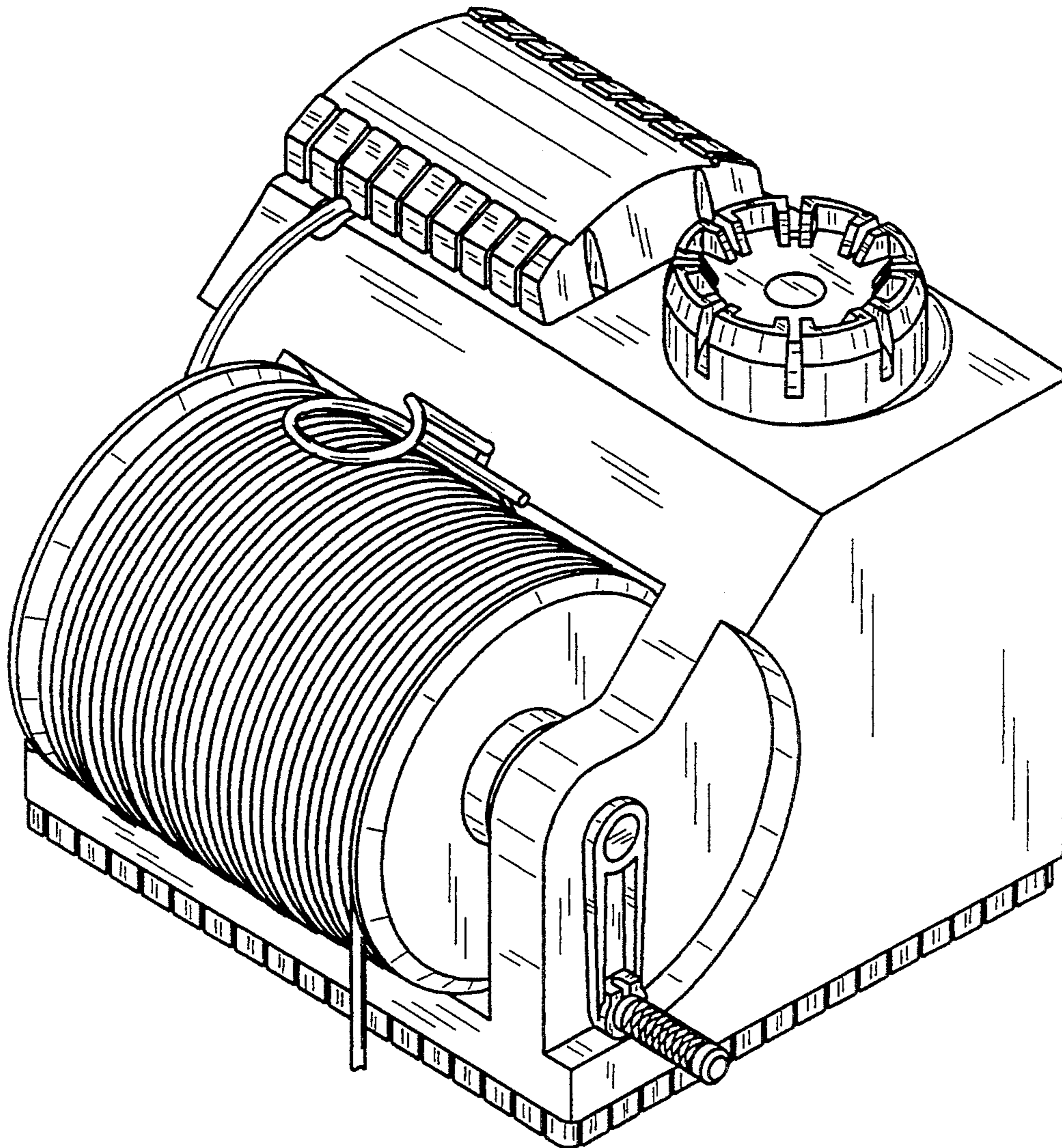
DESCRIPTION

FIG. 1 is a perspective view of the portable spraying unit showing my new design;
FIG. 2 is a top plan view thereof;
FIG. 3 is a bottom plan view thereof;
FIG. 4 is a front elevation view thereof;
FIG. 5 is a rear elevation view thereof;
FIG. 6 is a left side elevation view thereof; and,
FIG. 7 is a right side elevation view thereof;

[56] **References Cited**

U.S. PATENT DOCUMENTS

D. 228,899 10/1973 Peabody et al. D23/225
4,355,763 10/1982 Brandt 239/302



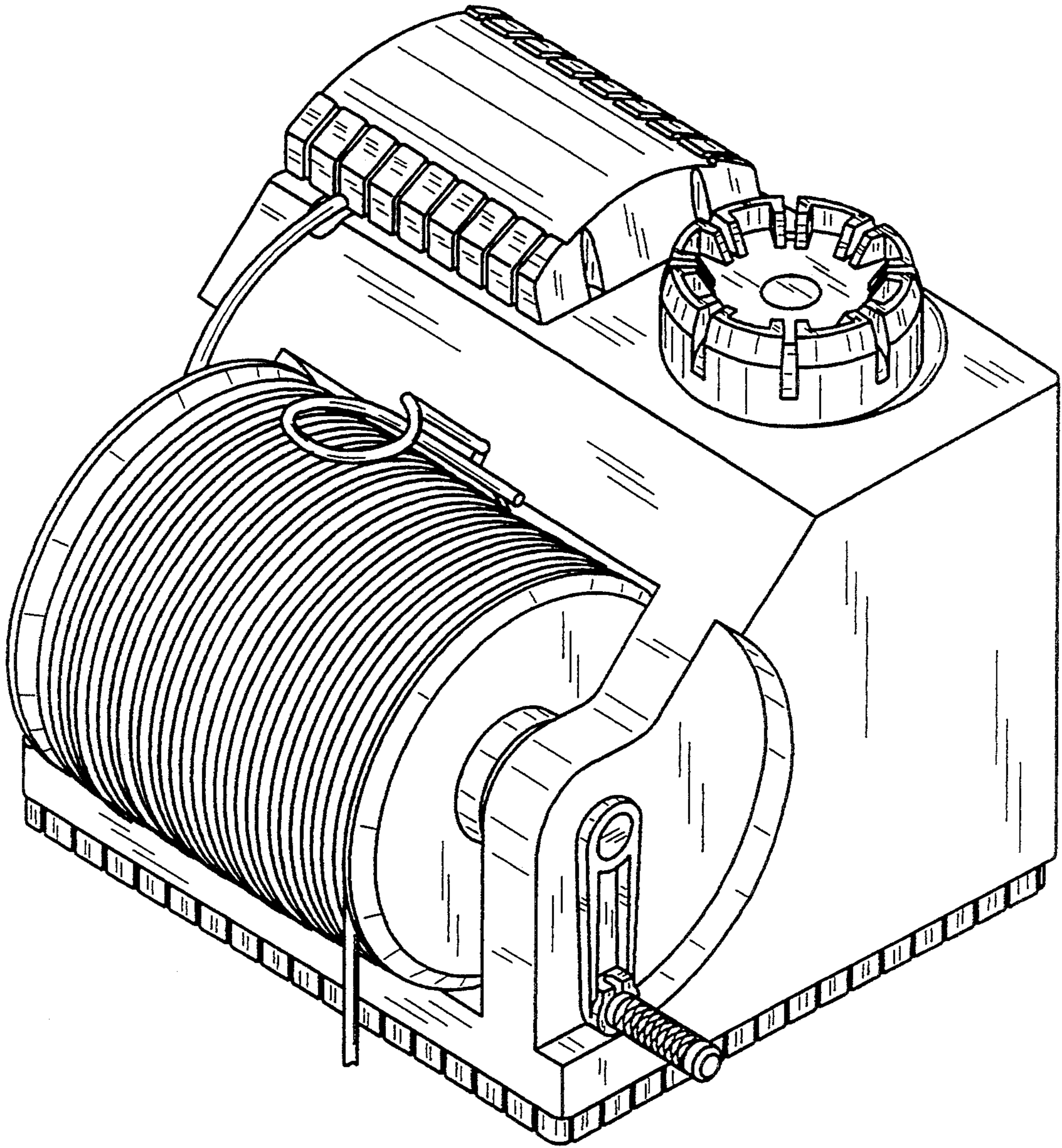


FIG. 1

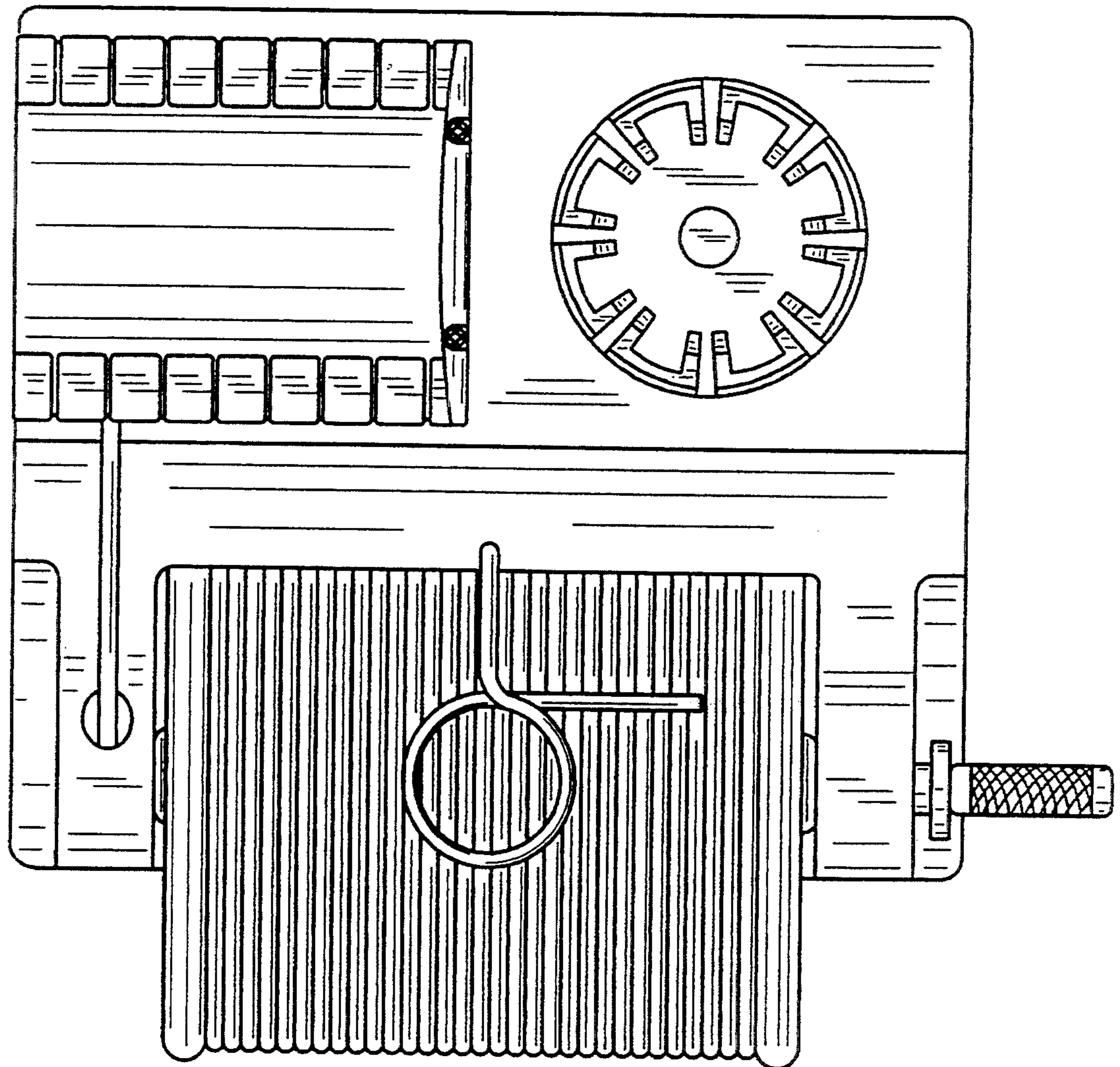


FIG. 2

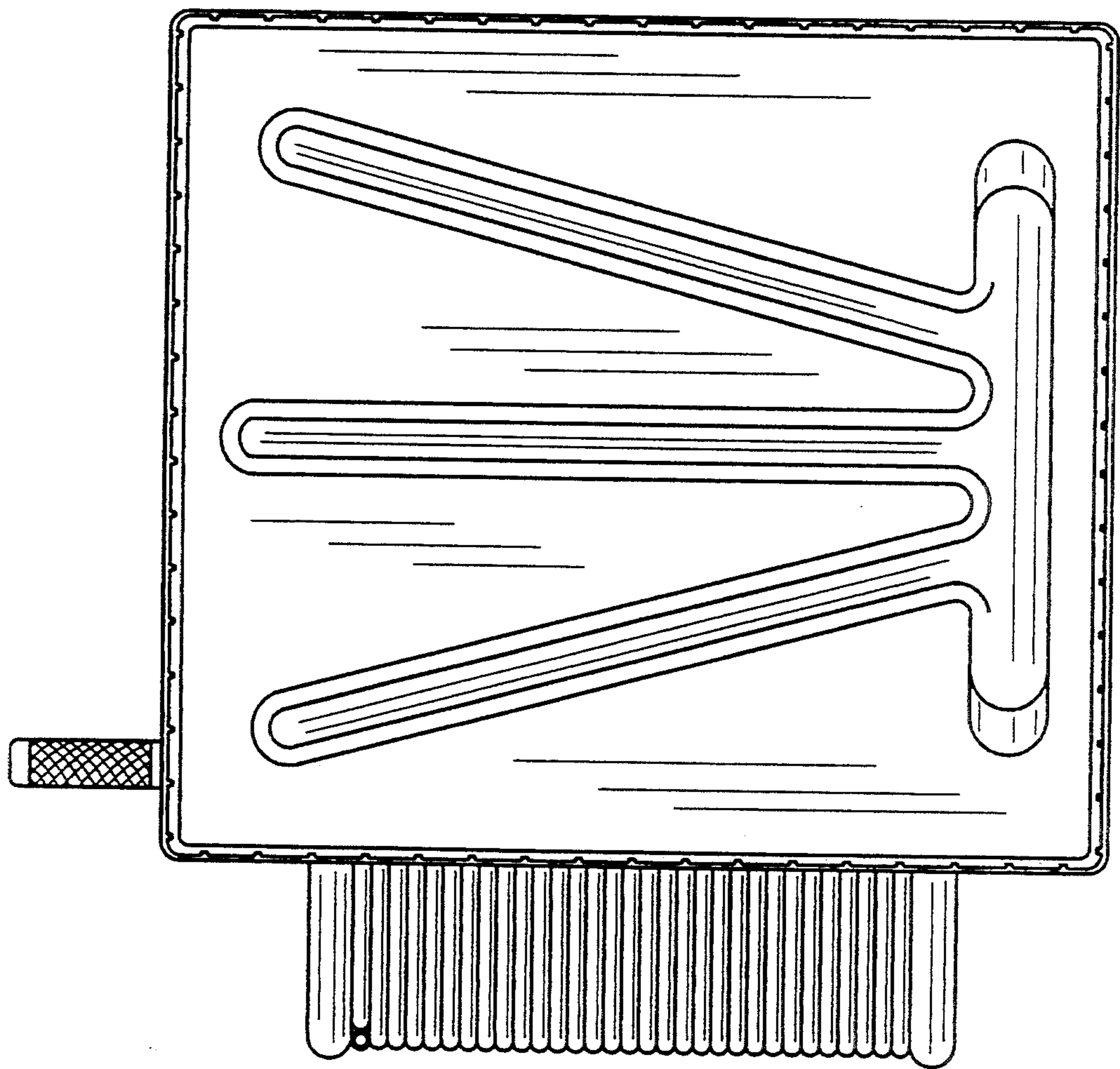


FIG. 3

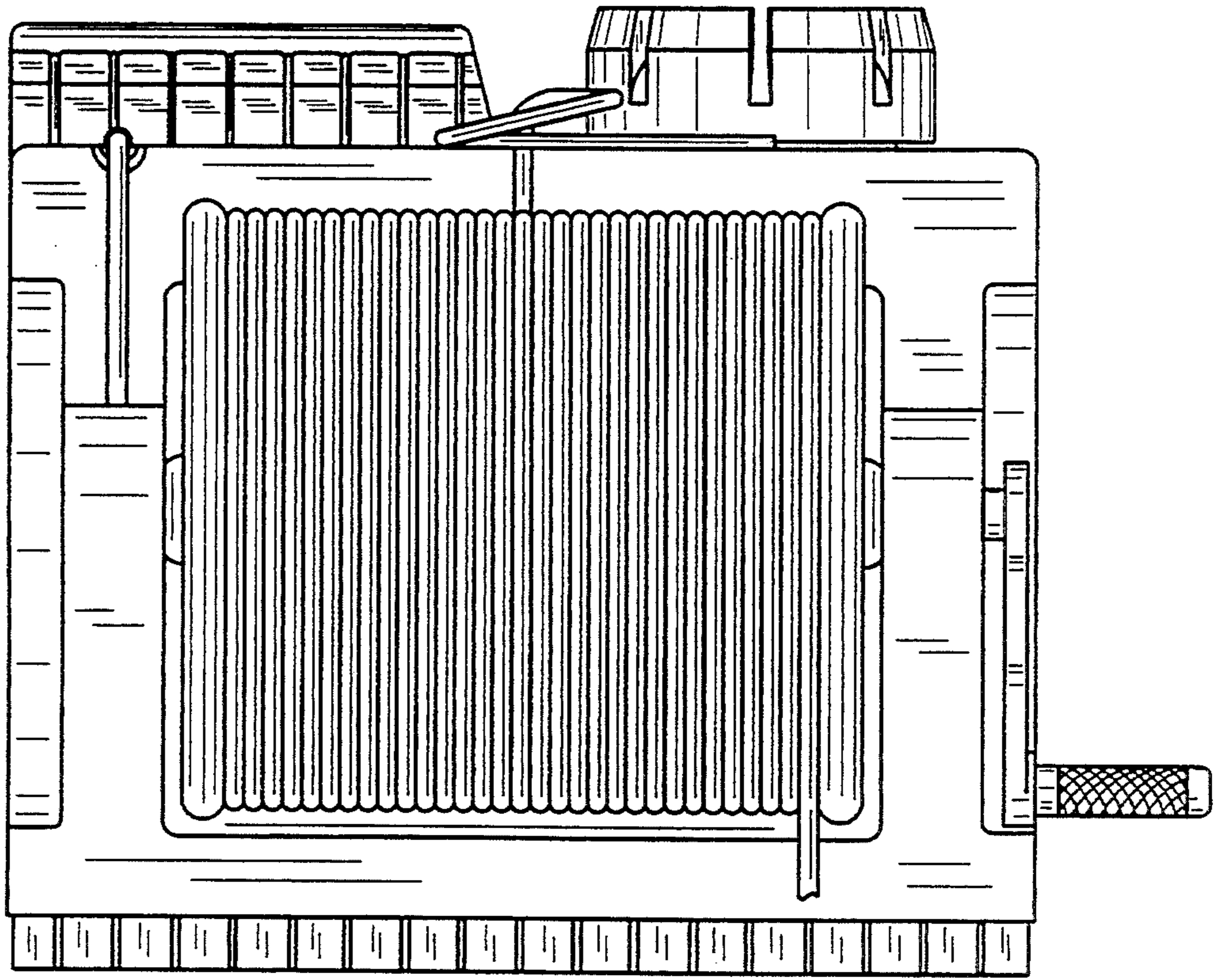


FIG. 4

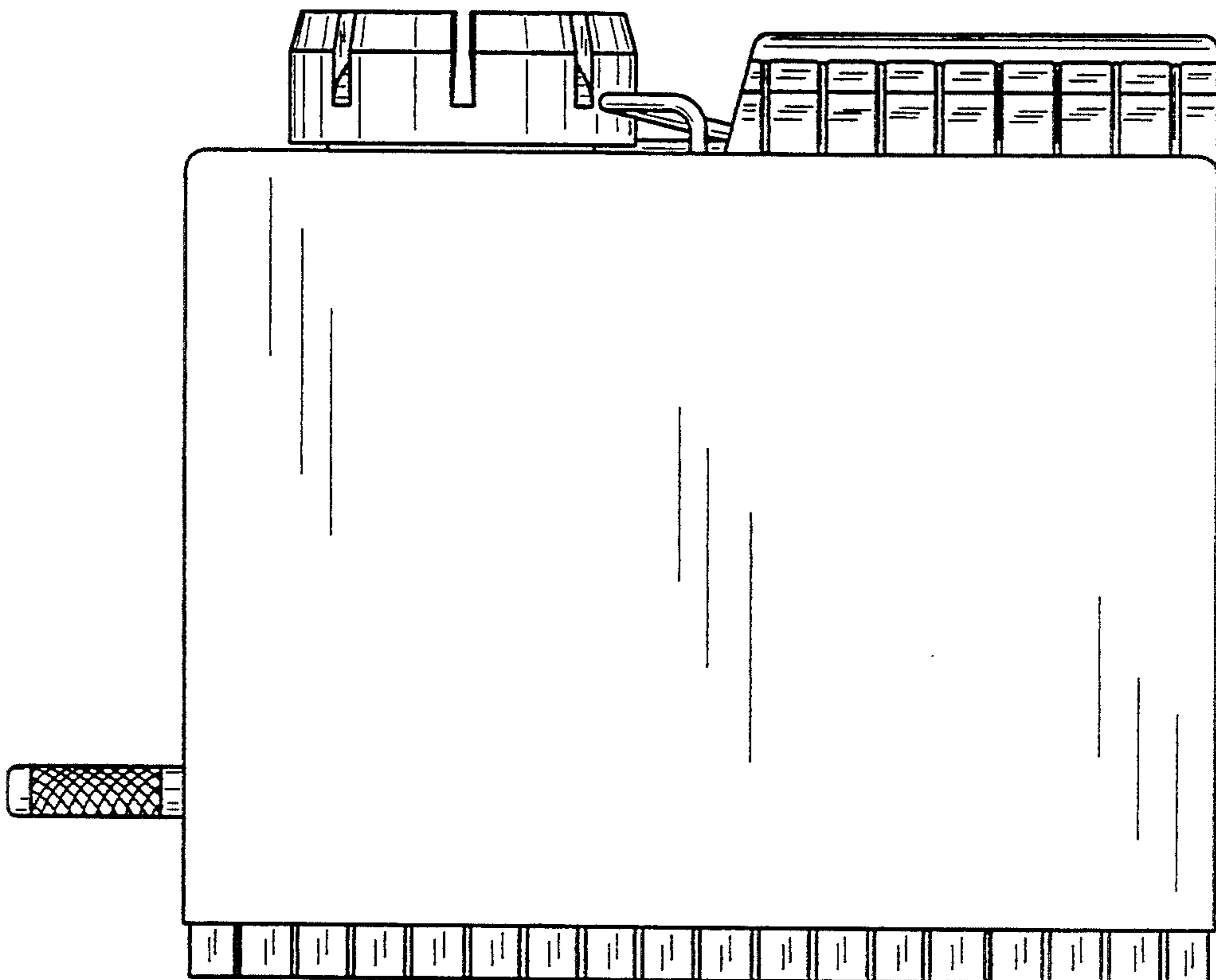


FIG. 5

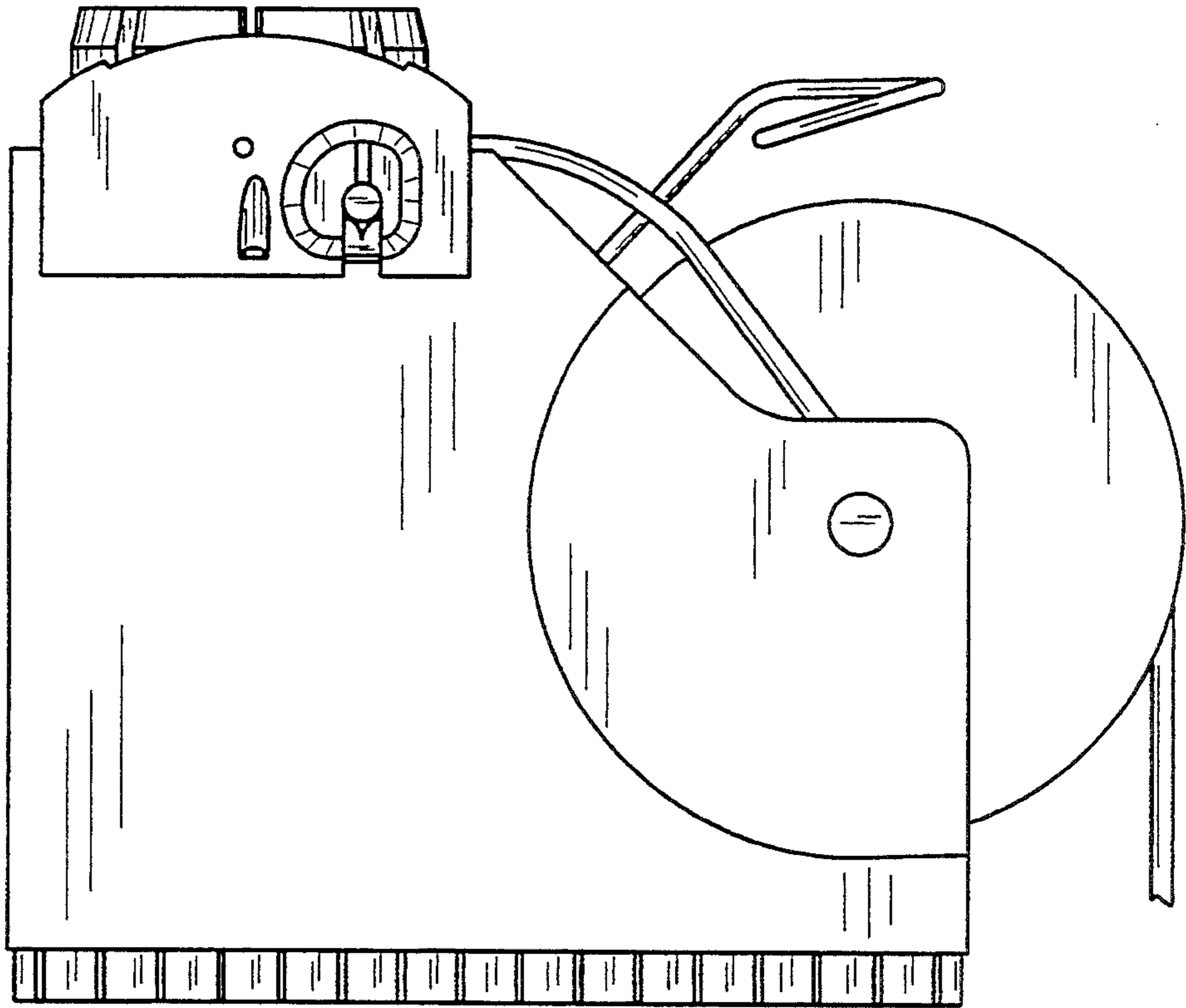


FIG. 6

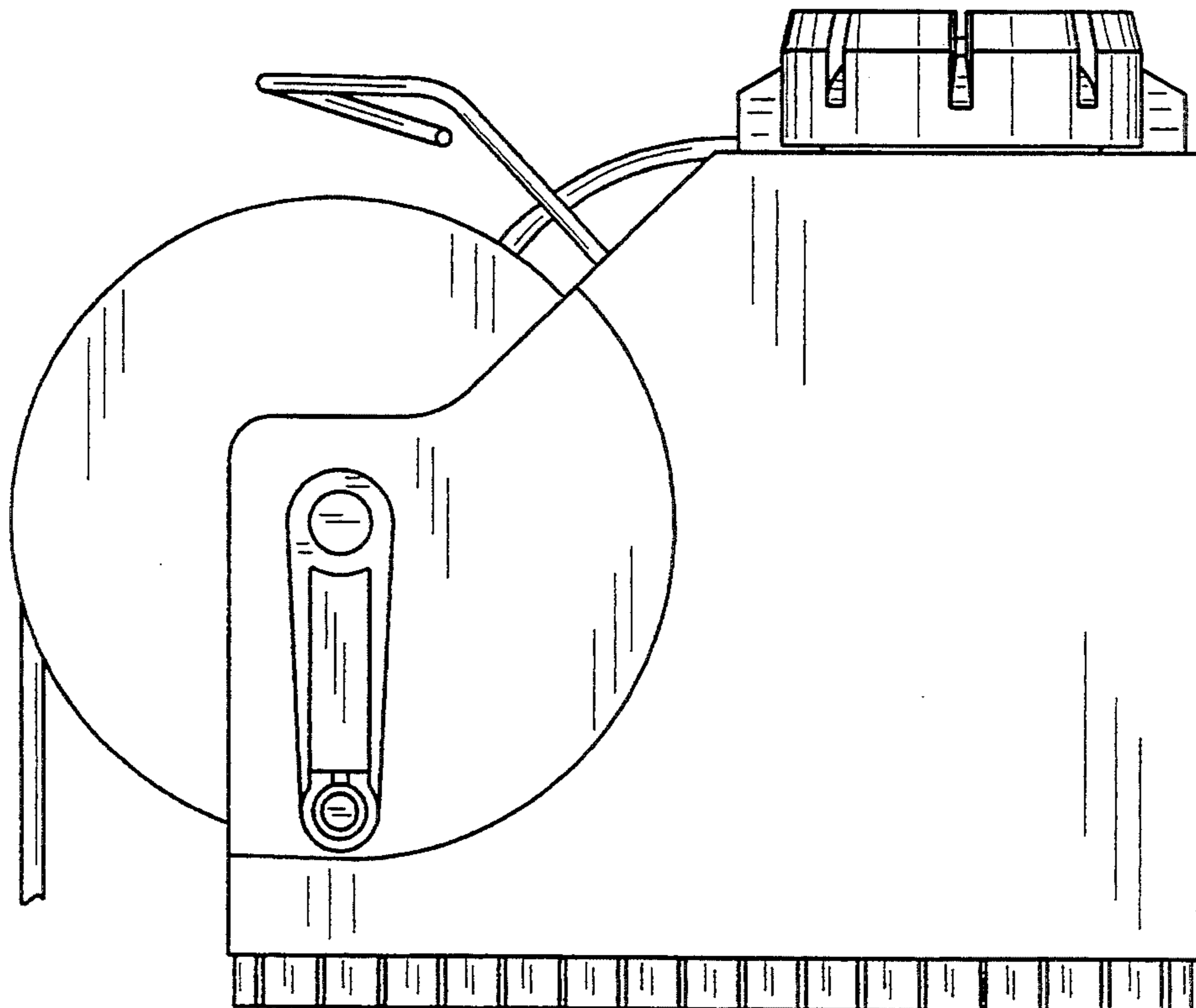


FIG. 7