



US00D361118S

United States Patent [19]

[11] Patent Number: **Des. 361,118**

Hammel

[45] Date of Patent: **** Aug. 8, 1995**

[54] **DINOSAUR-SHAPED SEAT FOR PLAYGROUND APPARATUS**

D. 215,066	8/1969	Wormser	D21/247
D. 232,454	8/1974	Wormser	D21/247
D. 255,916	7/1980	Lofton et al.	D21/247

[75] Inventor: **Robin L. Hammel**, Allen, Mich.

[73] Assignee: **Recreation Creations, Inc.**, Hillsdale, Mich.

Primary Examiner—Prabhakar G. Deshmukh
Assistant Examiner—Mitchell I. Siegel
Attorney, Agent, or Firm—Beaman & Beaman

[**] Term: **14 Years**

[57] **CLAIM**

[21] Appl. No.: **18,467**

The ornamental design of a dinosaur-shaped seat for playground apparatus, as shown.

[22] Filed: **Feb. 7, 1994**

DESCRIPTION

[52] U.S. Cl. **D21/247**

[58] Field of Search **D21/247; 472/95, 103-105**

FIG. 1 is a left side elevational view of a dinosaur-shaped seat for playground apparatus showing my new design;

[56] **References Cited**

U.S. PATENT DOCUMENTS

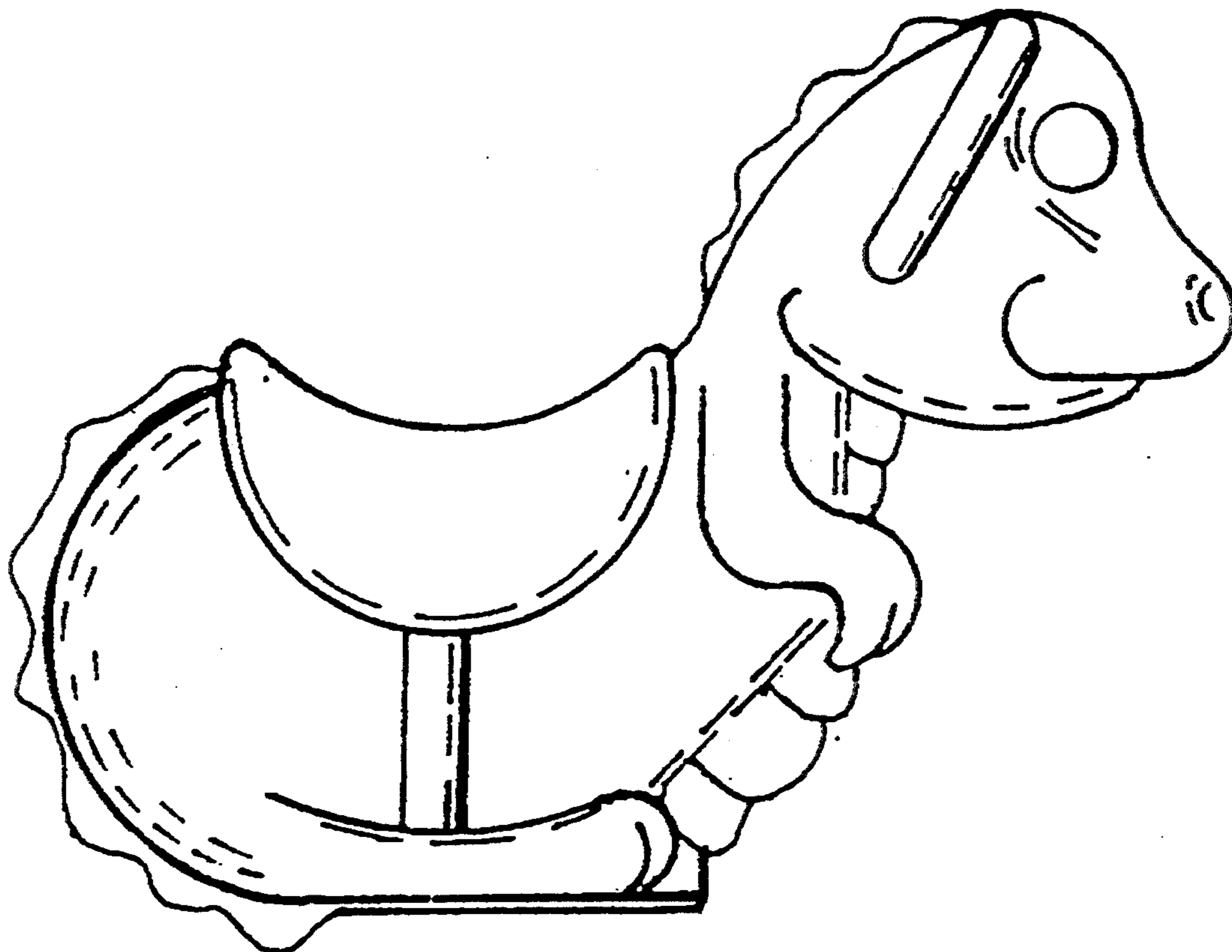
D. 189,456	12/1960	Hansen	D21/247
D. 209,602	12/1967	Wormser	D21/247

FIG. 2 is a right side elevational view thereof;

FIG. 3 is a front elevational view thereof;

FIG. 4 is a rear elevational view thereof; and,

FIG. 5 is a top plan view.



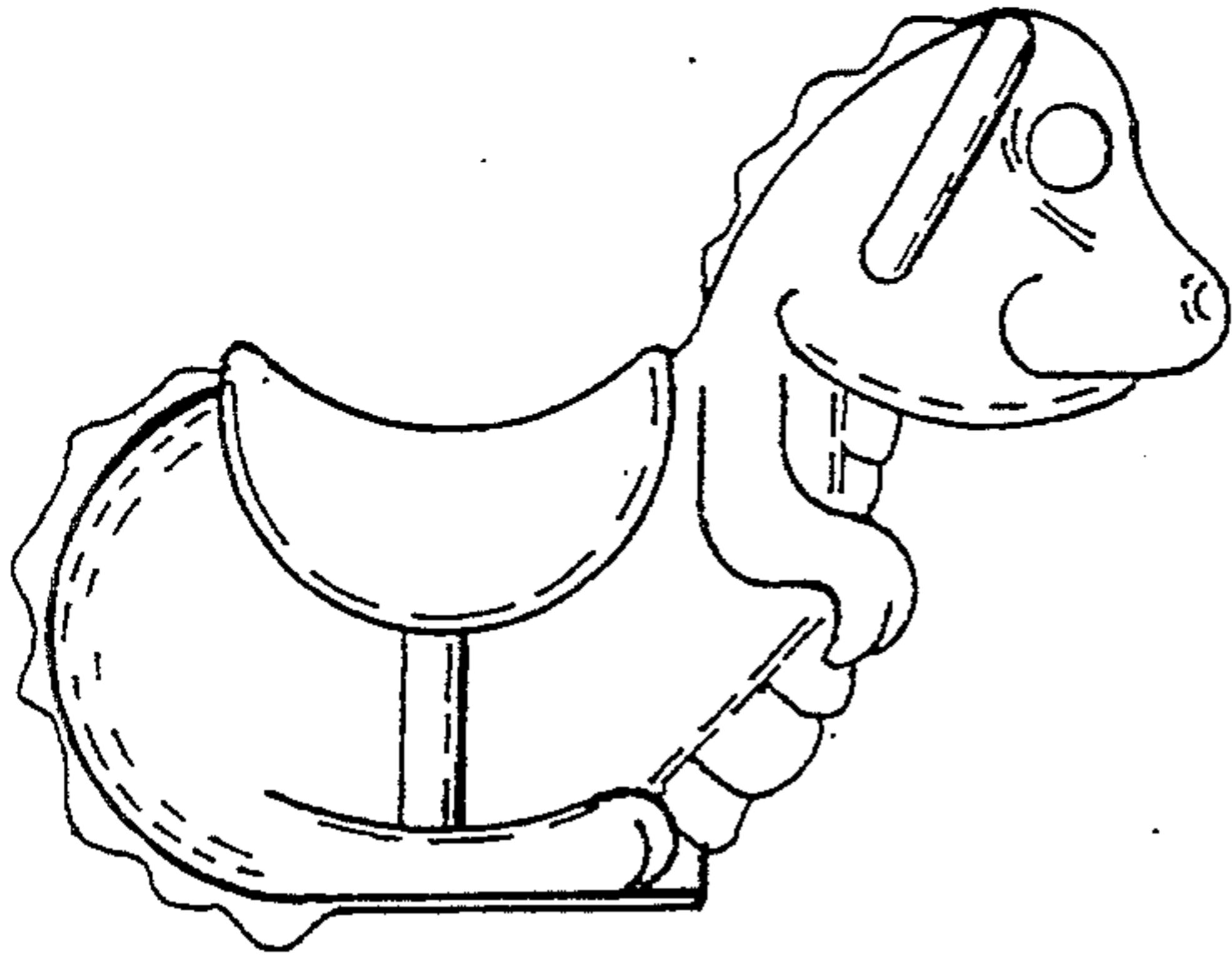


FIG - 1

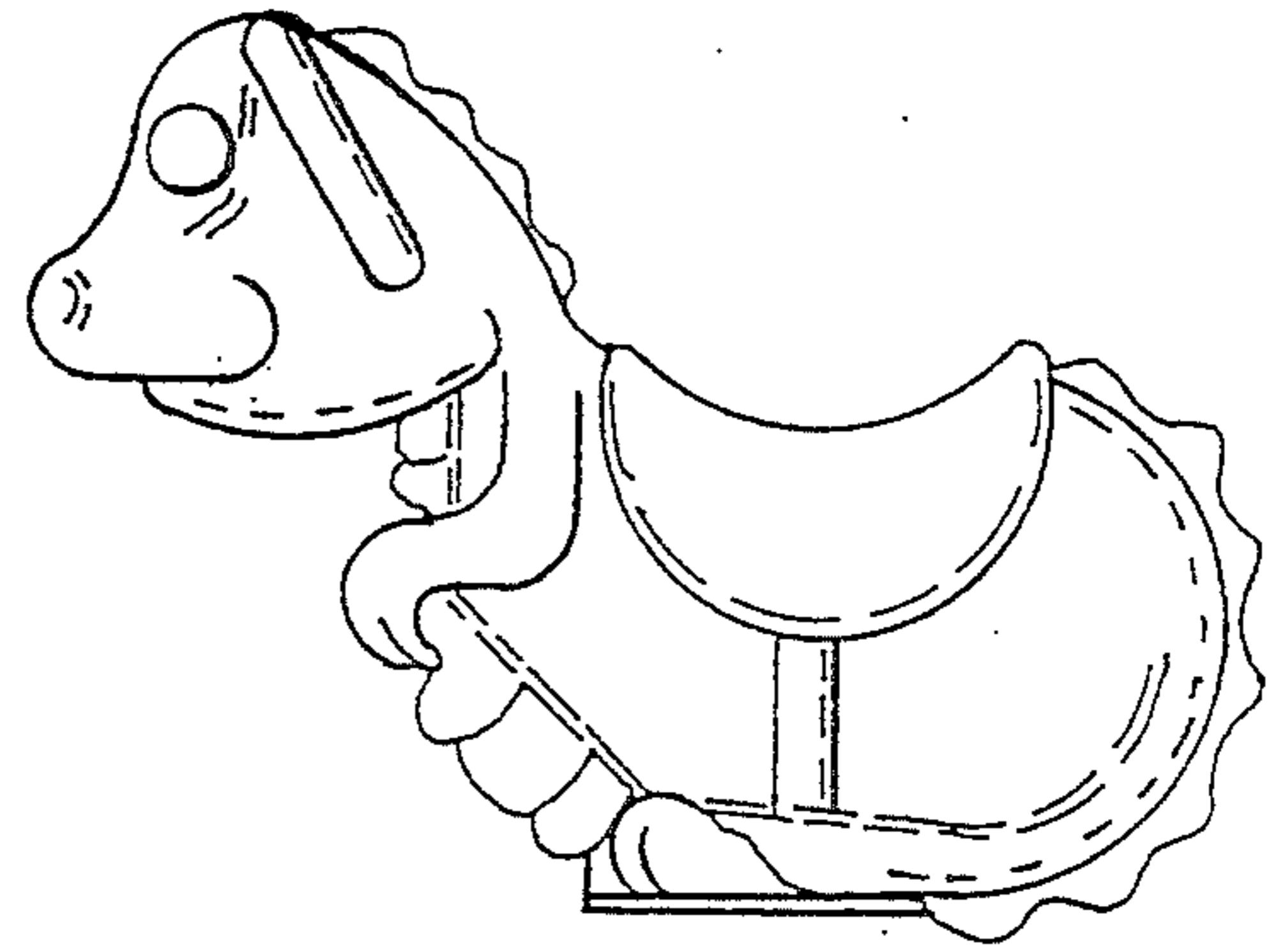


FIG - 2

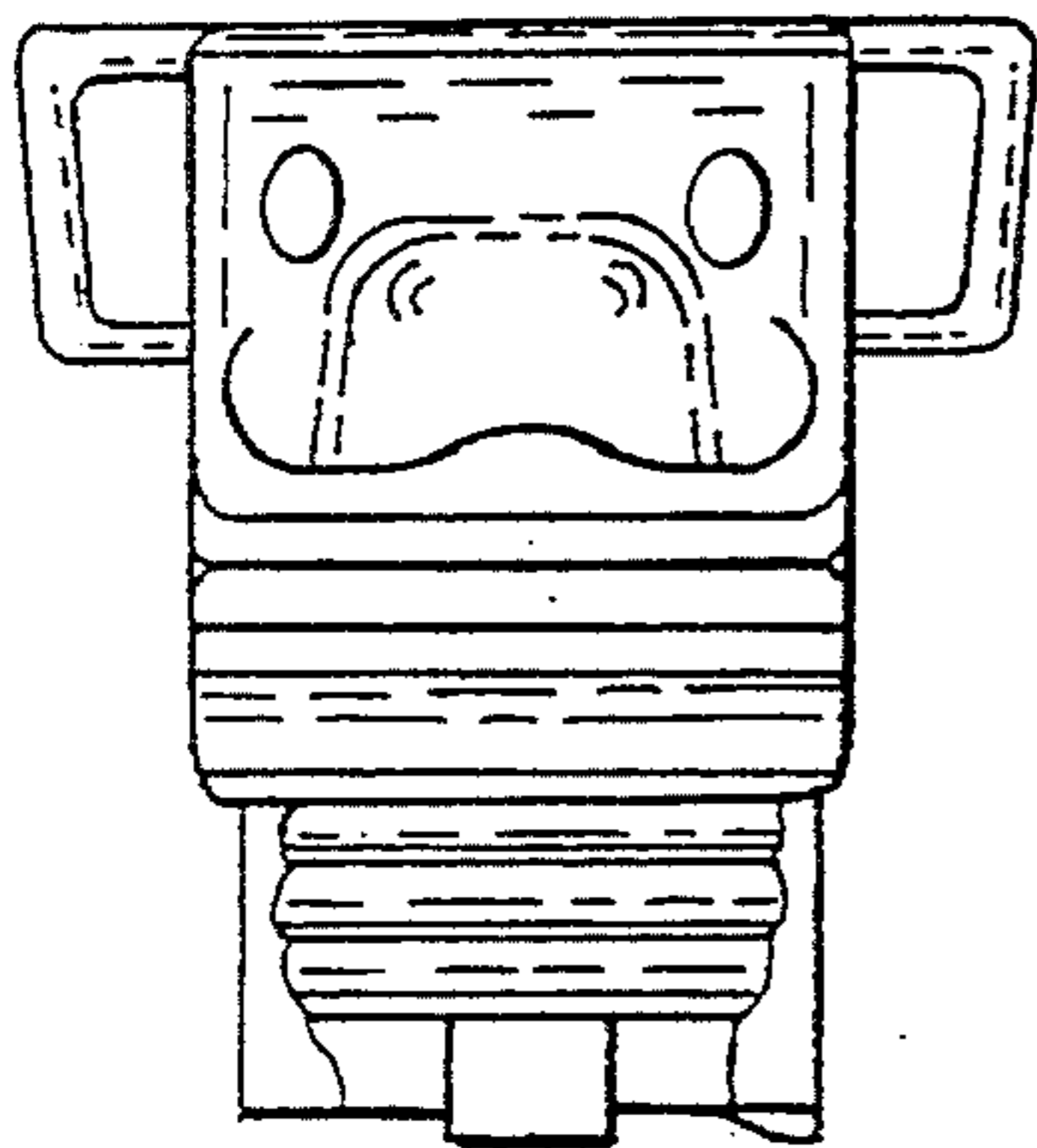


FIG - 3

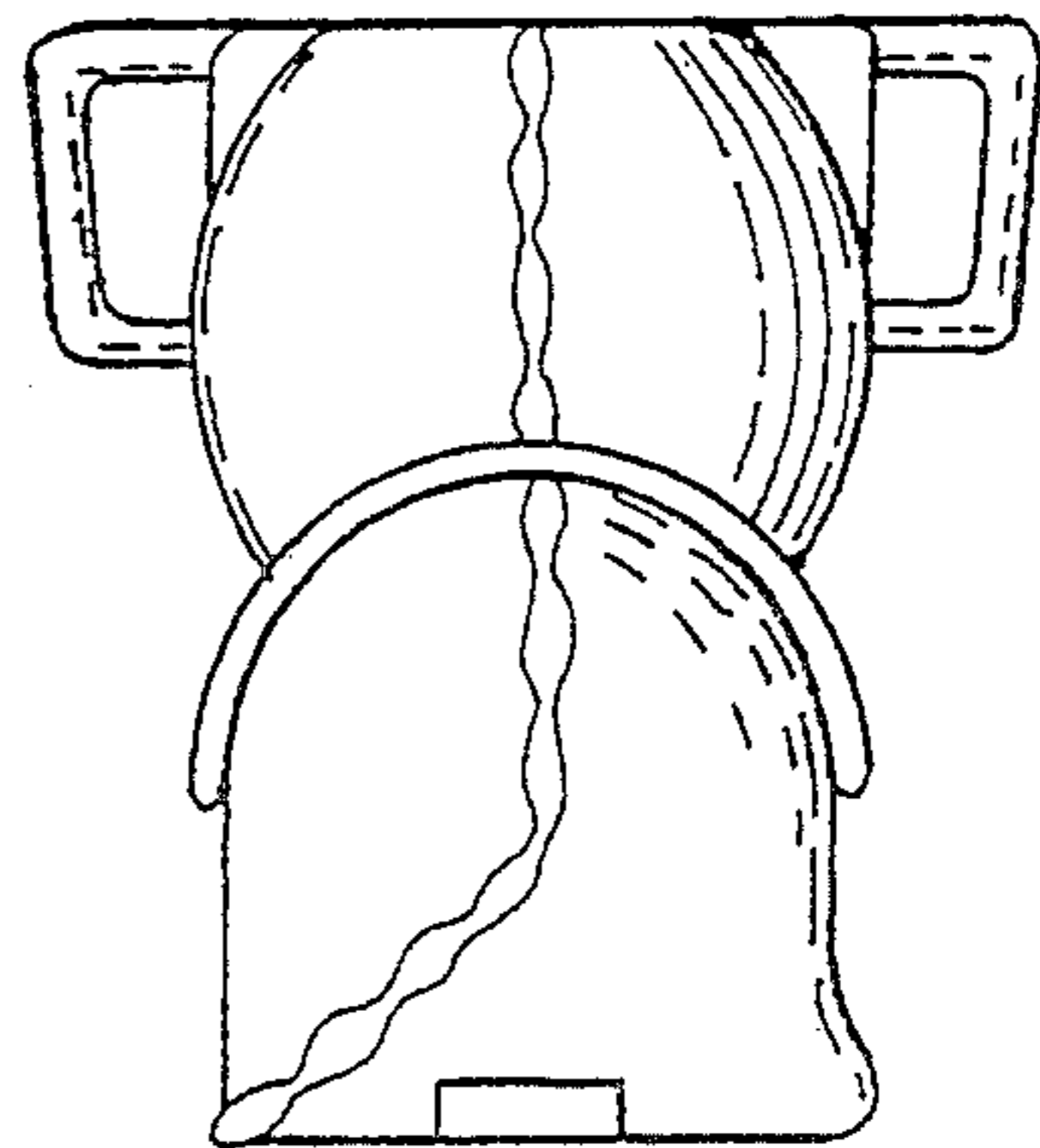


FIG - 4

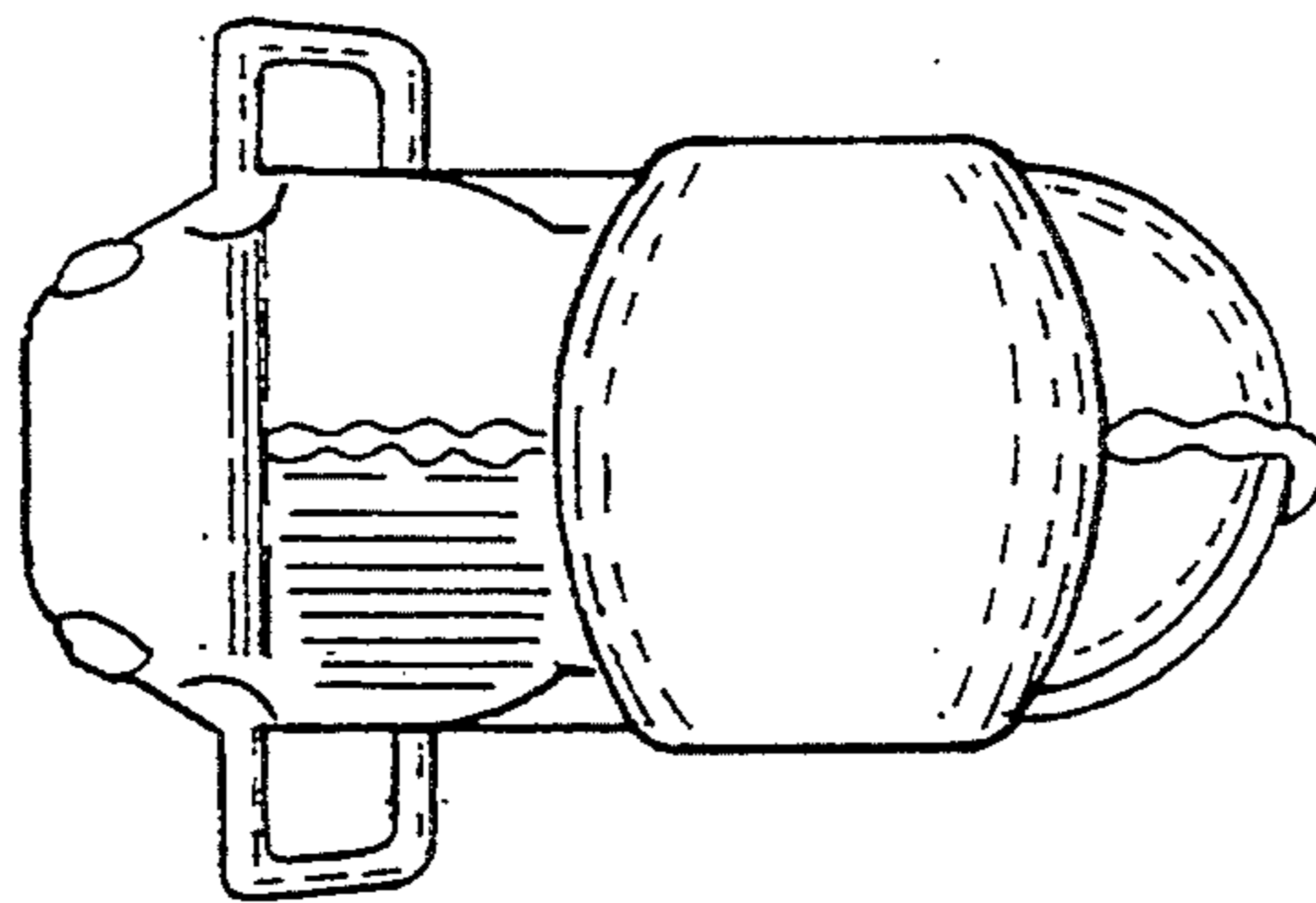


FIG - 5