



US00D361116S

United States Patent [19]

[11] Patent Number: **Des. 361,116**

Shaneour

[45] Date of Patent: **** Aug. 8, 1995**

[54] **COMBINED CLIMBER AND SLIDER**

[75] Inventor: **Dwight C. Shaneour, Hillsdale, Mich.**

[73] Assignee: **Recreation Creations, Inc., Hillsdale, Mich.**

[**] Term: **14 Years**

[21] Appl. No.: **18,464**

[22] Filed: **Feb. 7, 1994**

[52] U.S. Cl. **D21/244**

[58] Field of Search **D21/240-244, D21/109; 472/95, 116, 117, 130**

D. 268,858	5/1983	Works	D21/244
D. 334,040	3/1993	Chou et al.	D21/244
4,378,216	3/1983	Phillips	482/35 X
4,487,411	12/1984	Ahrens	472/116

Primary Examiner—Prabhakar G. Deshmukh

Assistant Examiner—Mitchell I. Siegel

Attorney, Agent, or Firm—Beaman & Beaman

[57] **CLAIM**

The ornamental design for a combined climber and slider, as shown.

DESCRIPTION

FIG. 1 is a perspective view of a combined climber and slider showing my new design;

FIG. 2 is a top plan view thereof;

FIG. 3 is a rear elevational view thereof;

FIG. 4 is a front elevational view thereof;

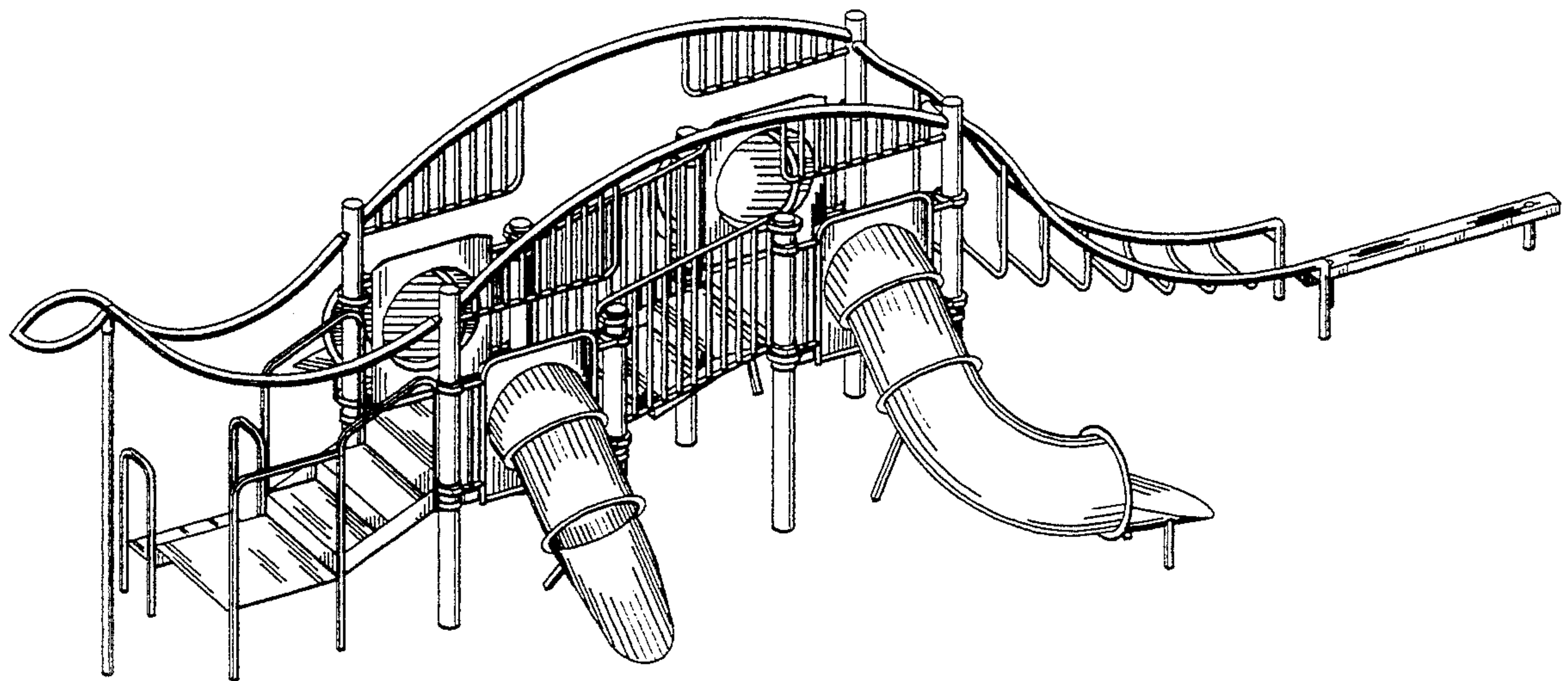
FIG. 5 is a left side elevational view thereof; and,

FIG. 6 is a right side elevational view thereof.

[56] **References Cited**

U.S. PATENT DOCUMENTS

D. 73,478	9/1927	Bezark	D21/244
D. 189,581	1/1961	Williams et al.	D21/244
D. 207,716	5/1967	Accorsi	D21/244
D. 212,484	10/1968	Harress	D21/244



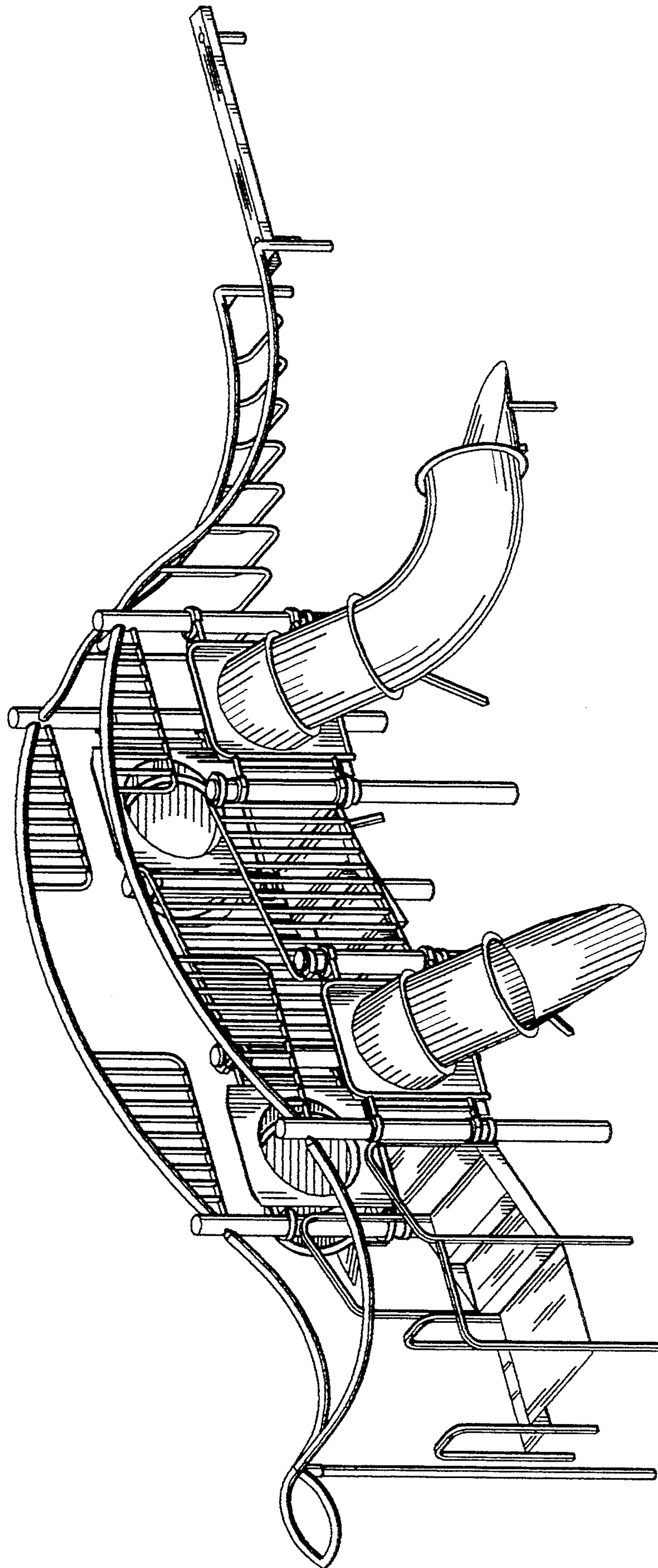


FIG. 1

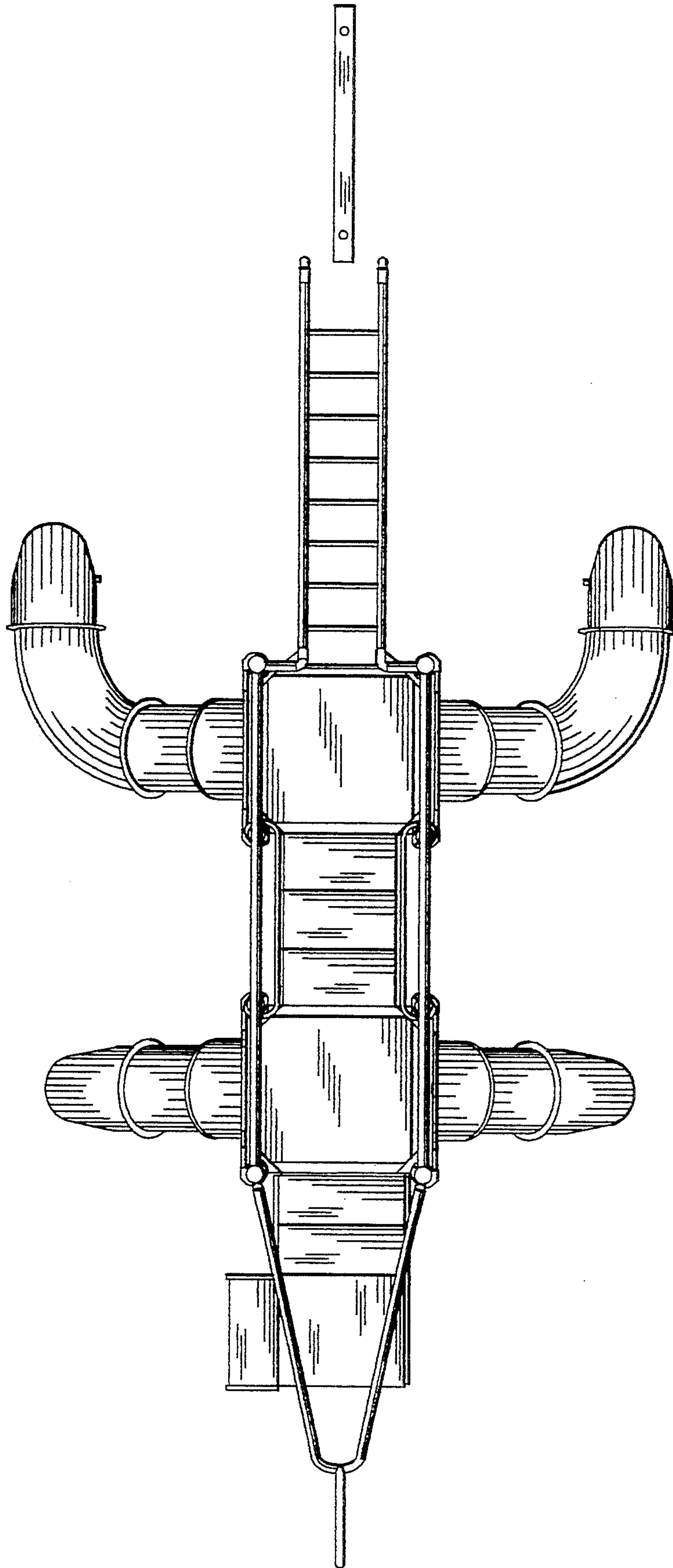


FIG. 2

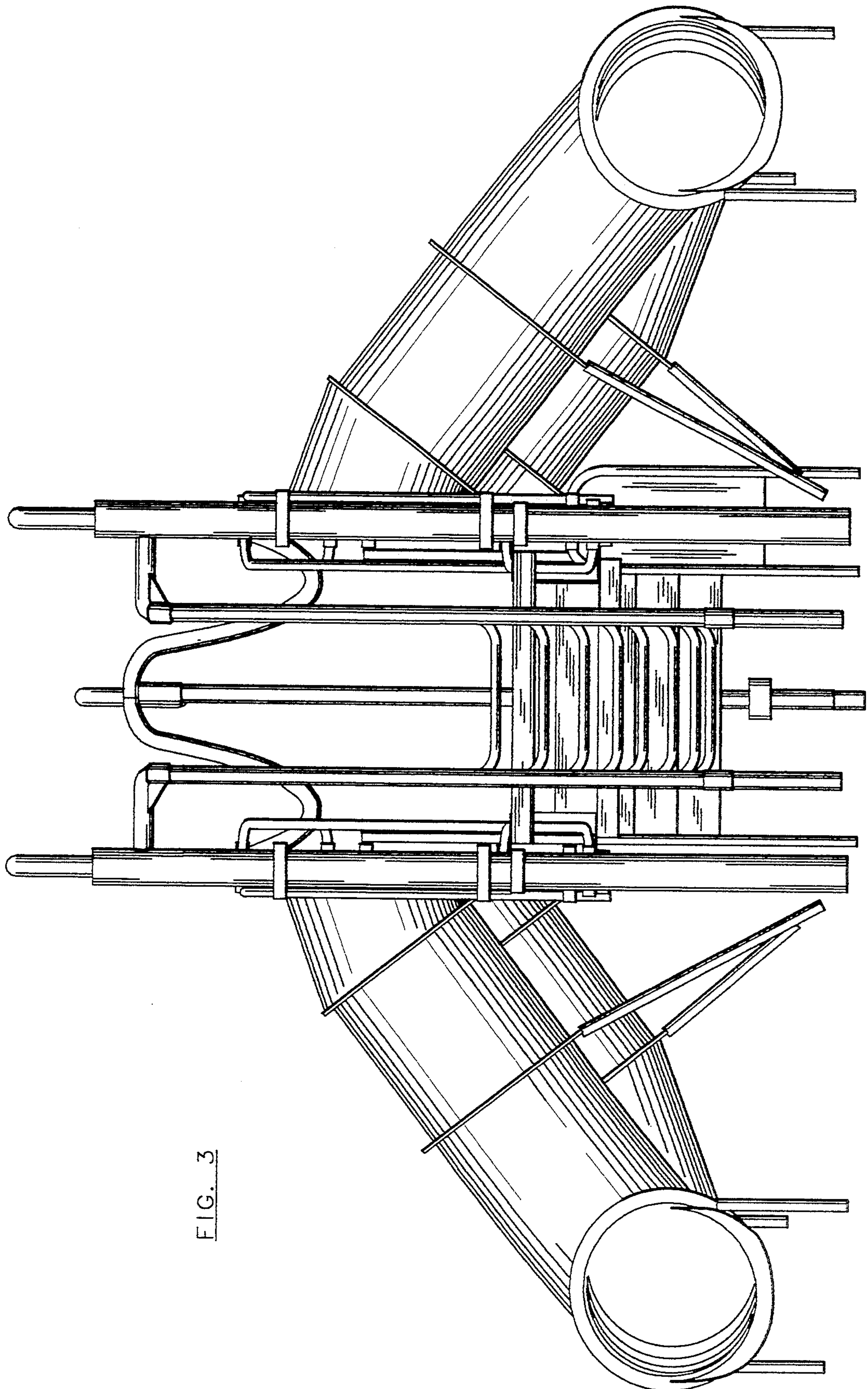


FIG. 3

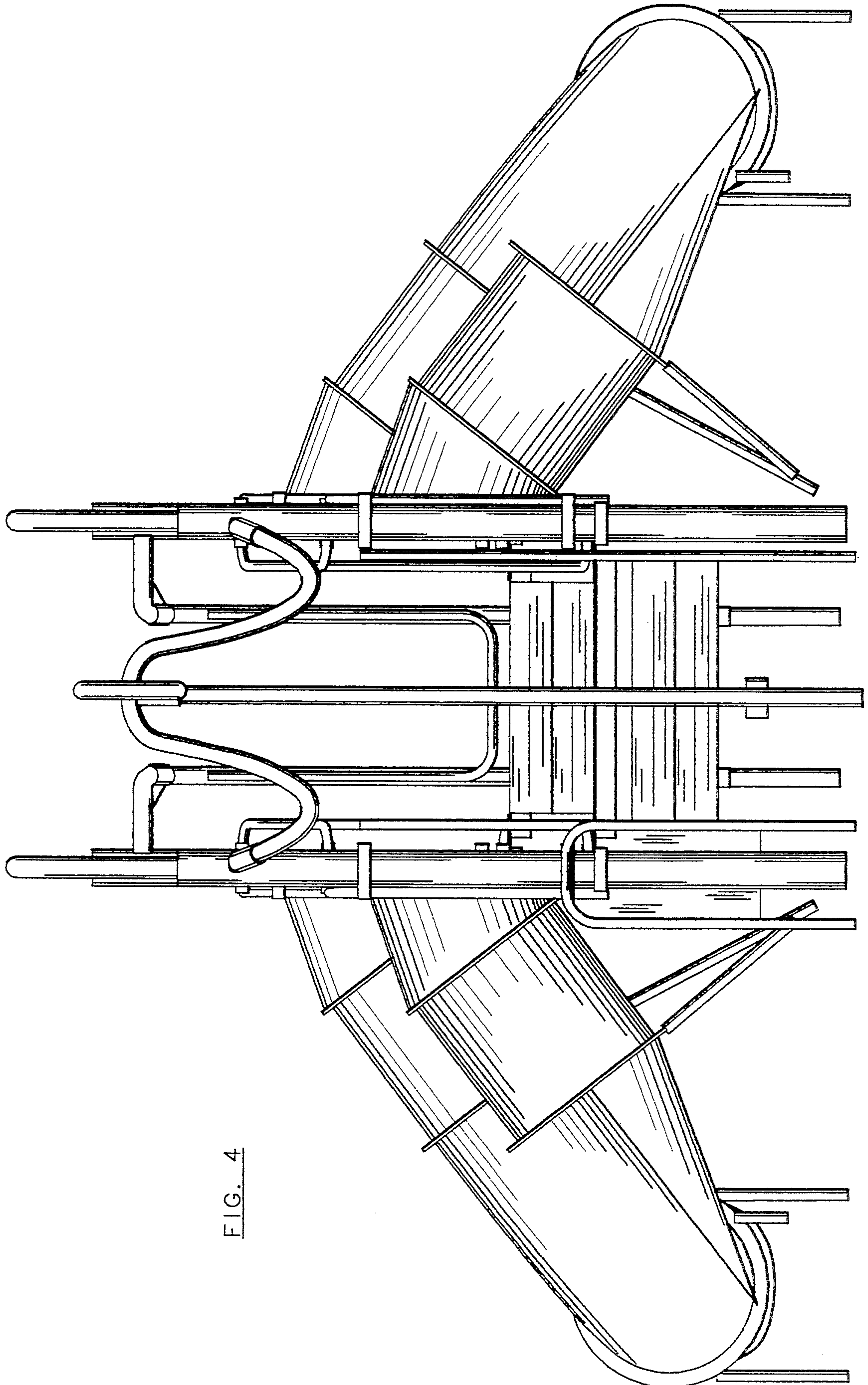


FIG. 4

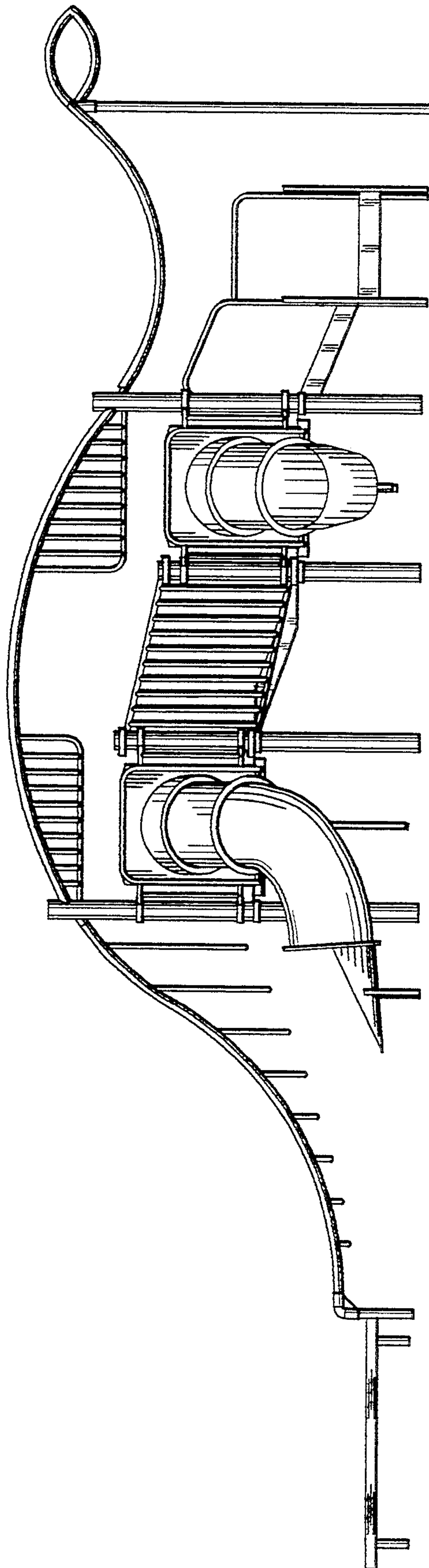


FIG. 5

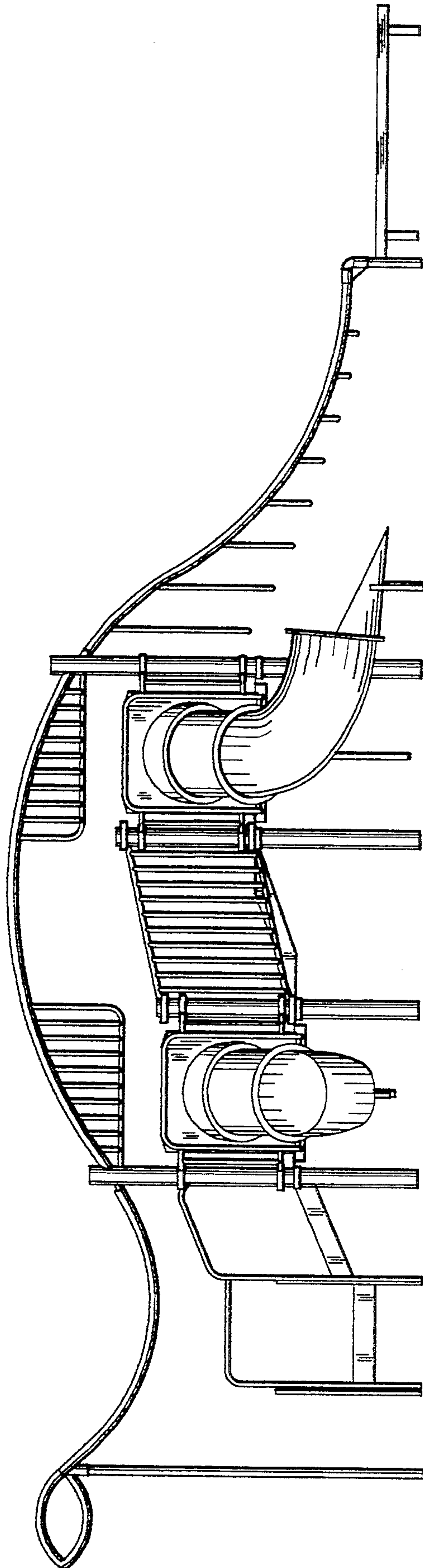


FIG. 6