



US00D361115S

United States Patent [19]

[11] Patent Number: **Des. 361,115**

Lucius

[45] Date of Patent: **** Aug. 8, 1995**

- [54] **LIFE VEST FOR WATER SKIERS**
- [75] Inventor: **John H. Lucius, Athens, Ga.**
- [73] Assignee: **Wellington Leisure Products, Inc.,
Madison, Ga.**
- [**] Term: **14 Years**
- [21] Appl. No.: **26,498**
- [22] Filed: **Jul. 29, 1994**
- [52] U.S. Cl. **D21/238; D2/829;
D2/830**
- [58] **Field of Search** **D2/868, 829, 830, 833,
D2/838, 839; D21/238; D29/100, 101; 2/94,
102; 441/115, 116, 129**

D. 352,816	11/1994	Kirn et al.	D2/829
3,626,530	12/1971	Ecklor et al.	441/111
3,646,626	3/1972	Frieder	441/115
4,498,882	2/1985	Evert	441/116
4,578,042	3/1986	Evert	441/117
4,799,908	1/1989	Lucius	441/115
4,840,591	6/1989	Dulin et al.	D21/129
4,871,338	10/1989	Hoffman	441/116

Primary Examiner—C. A. Murphy
Attorney, Agent, or Firm—Kennedy & Kennedy

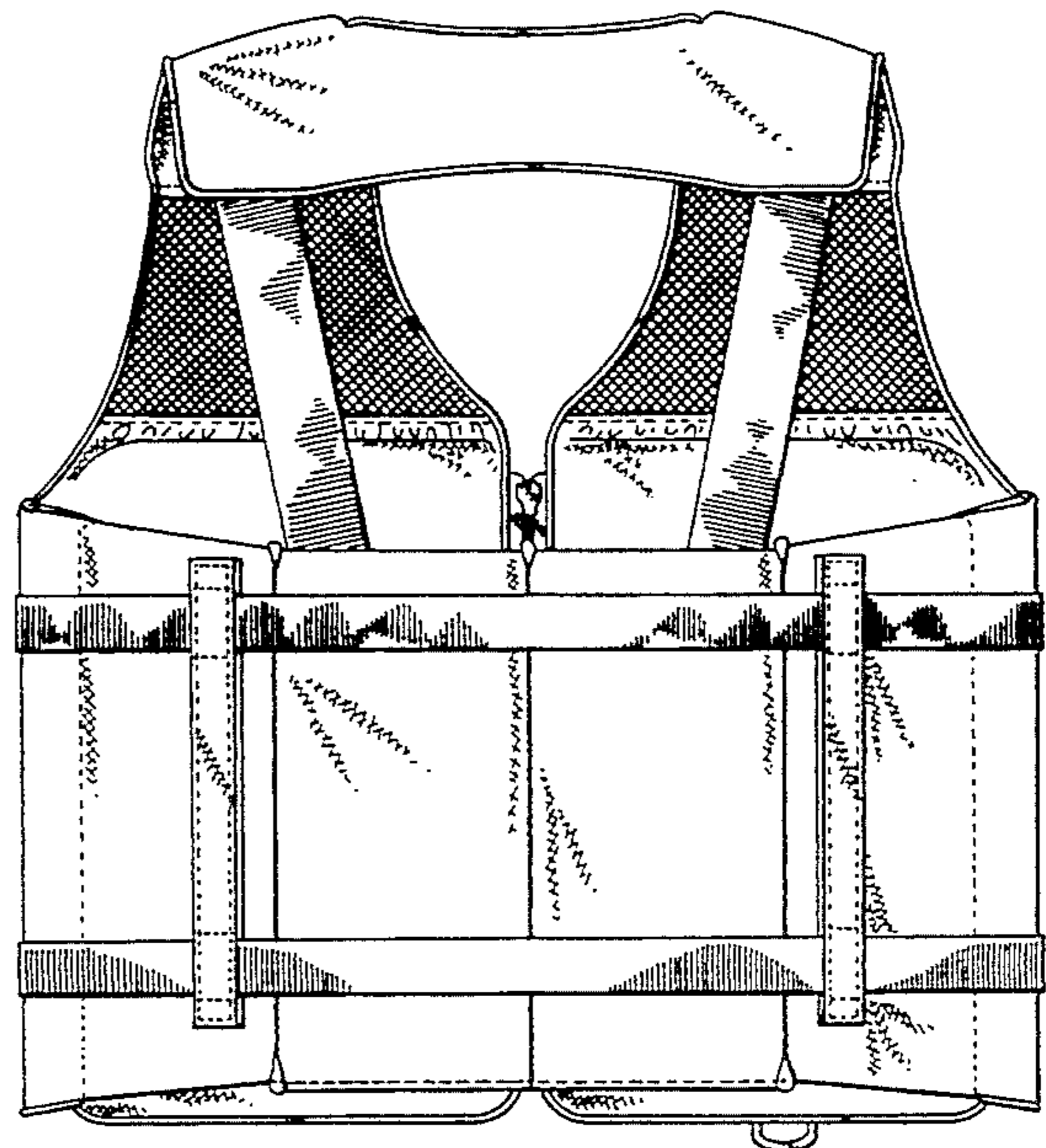
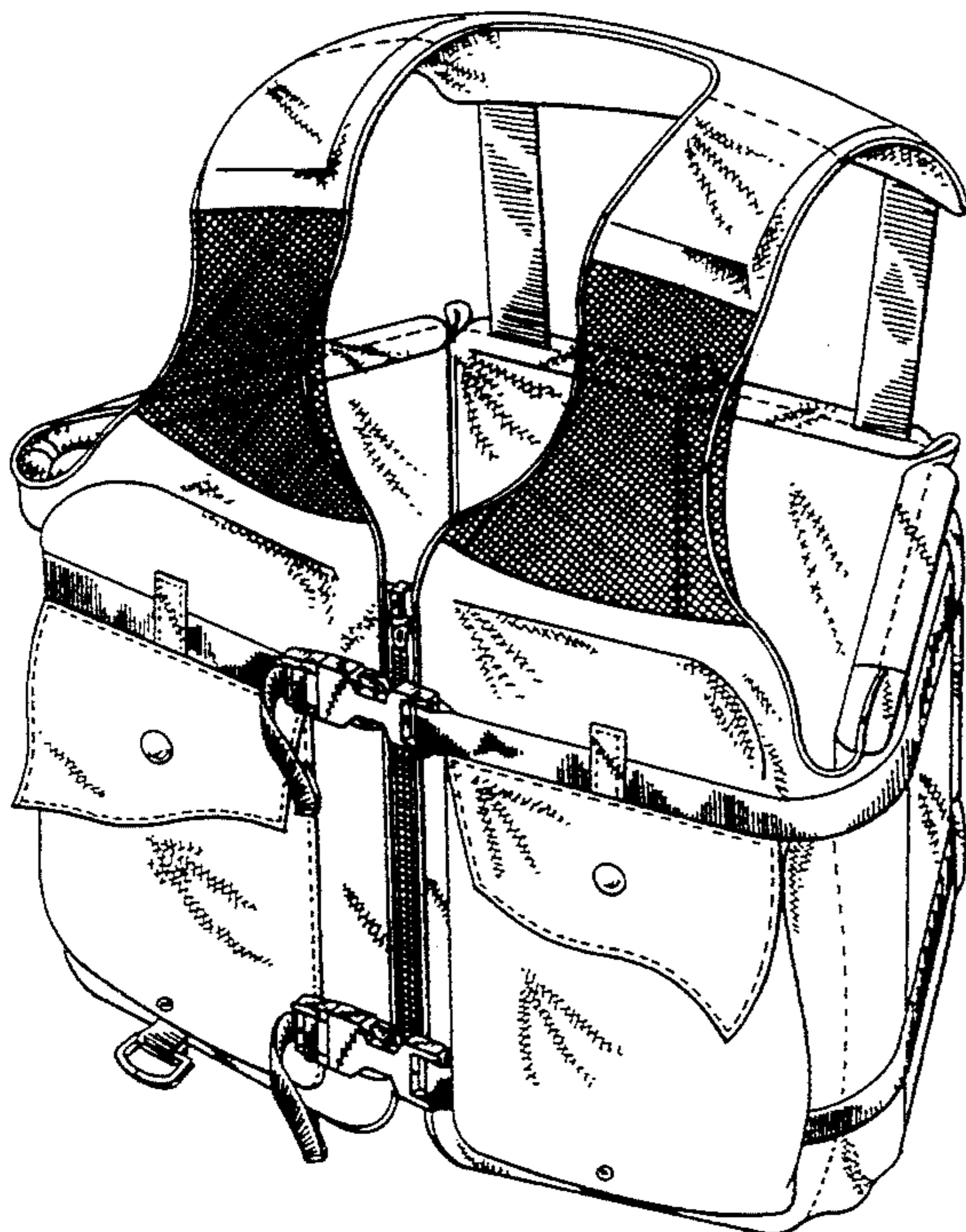
[57] **CLAIM**

The ornamental design for a life vest for water skiers, as shown and described.

DESCRIPTION

FIG 1 is a perspective view of a life vest for a life vest for water skiers showing my new design;
 FIG. 2 is a front elevational view thereof;
 FIG. 3 is a top view thereof;
 FIG. 4 is a back view thereof;
 FIG. 5 is a bottom view thereof;
 FIG. 6 is a left side view thereof; and,
 FIG. 7 is a right side view thereof.
 The broken lines shown throughout the views are understood to represent conventional stitching.

- [56] **References Cited**
- U.S. PATENT DOCUMENTS**
- D. 147,127 7/1947 Hutchinson D2/829
- D. 254,519 3/1980 Kramer et al. D2/829
- D. 280,845 10/1985 Evert D21/238
- D. 292,140 10/1987 Cahill et al. D2/829
- D. 300,548 4/1989 Steger D21/238
- D. 316,472 4/1991 Flannagan D2/829
- D. 332,172 1/1993 Lewis D2/829
- D. 352,165 11/1994 Covertson D2/830



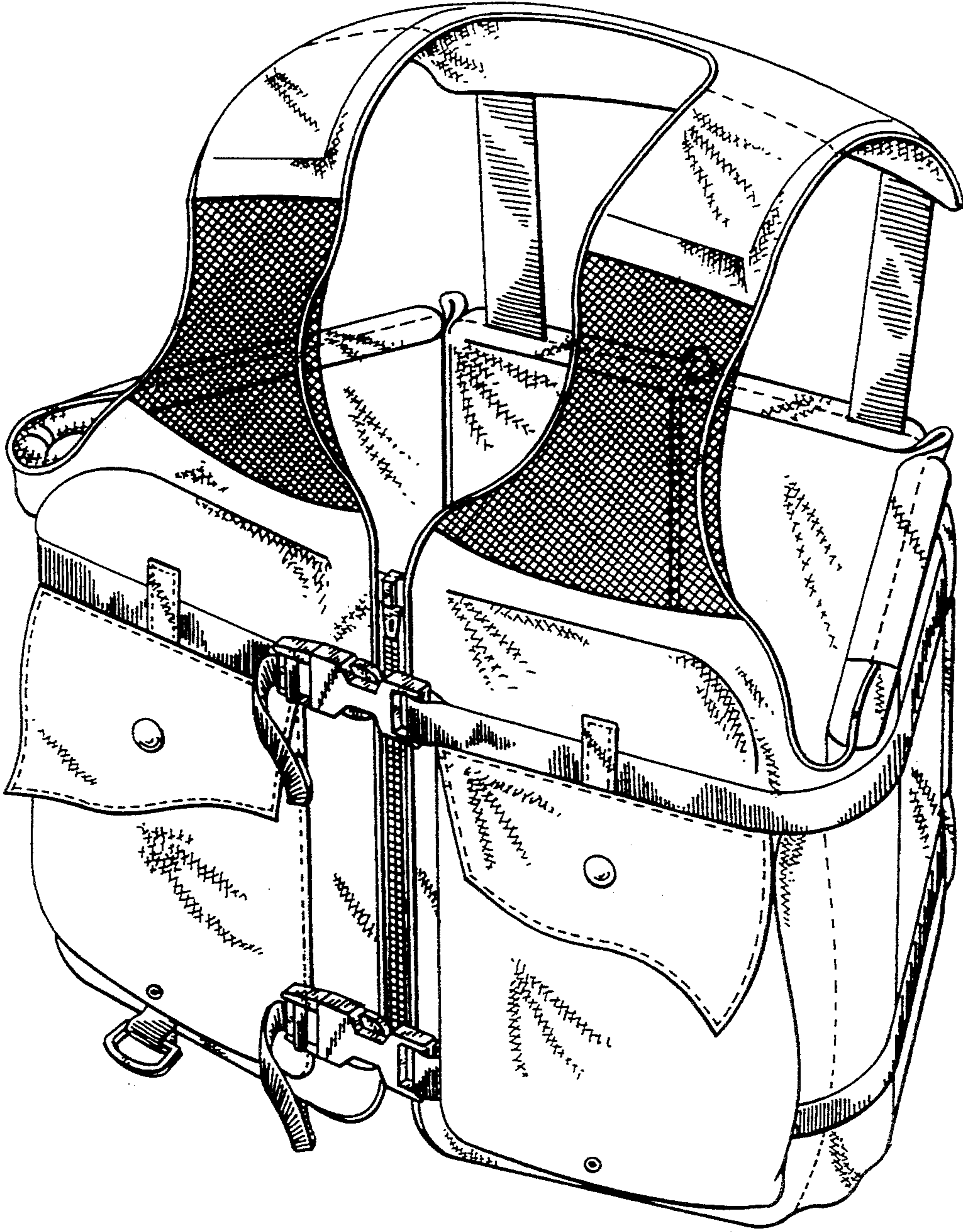


FIG 1

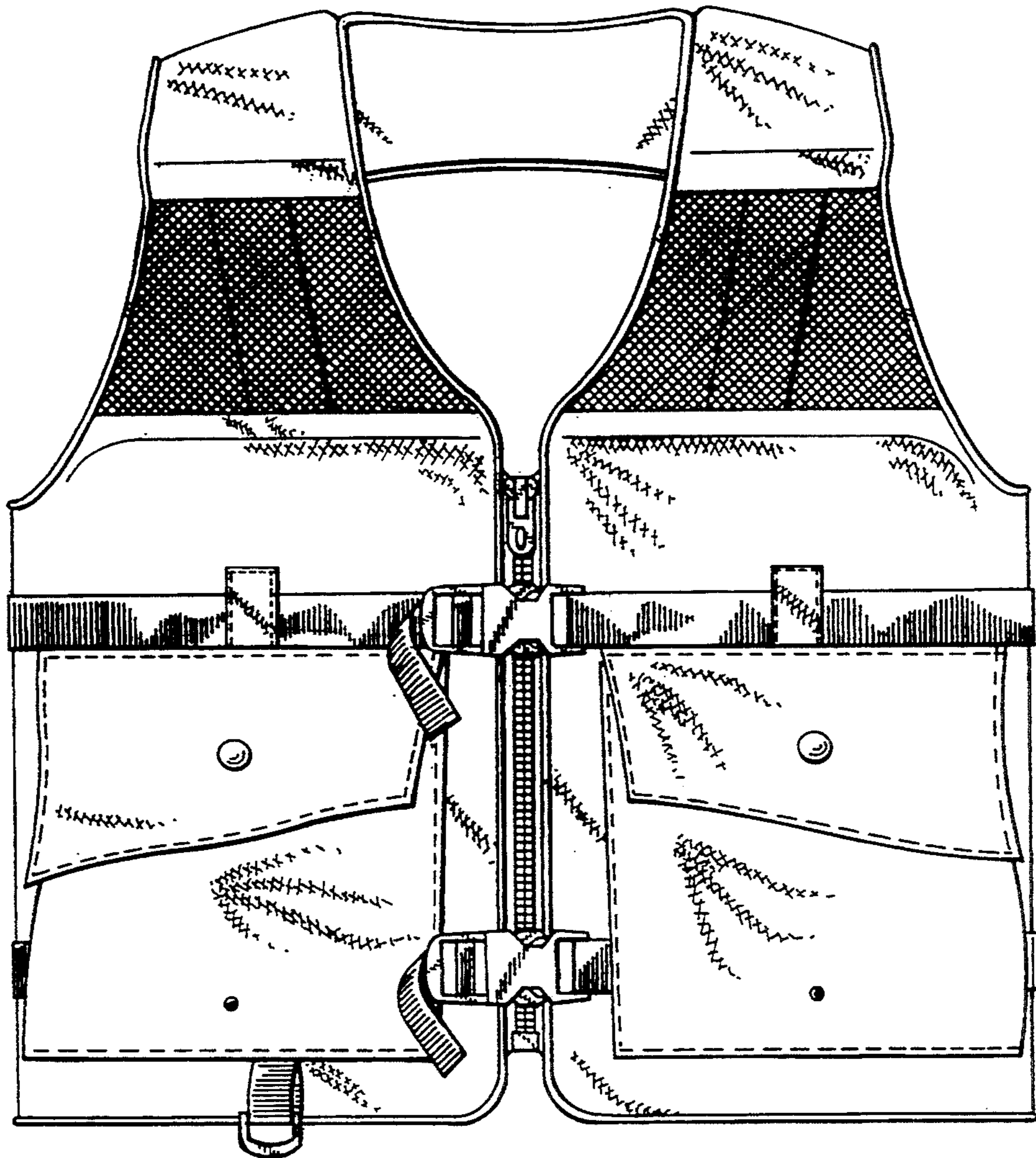


FIG 2

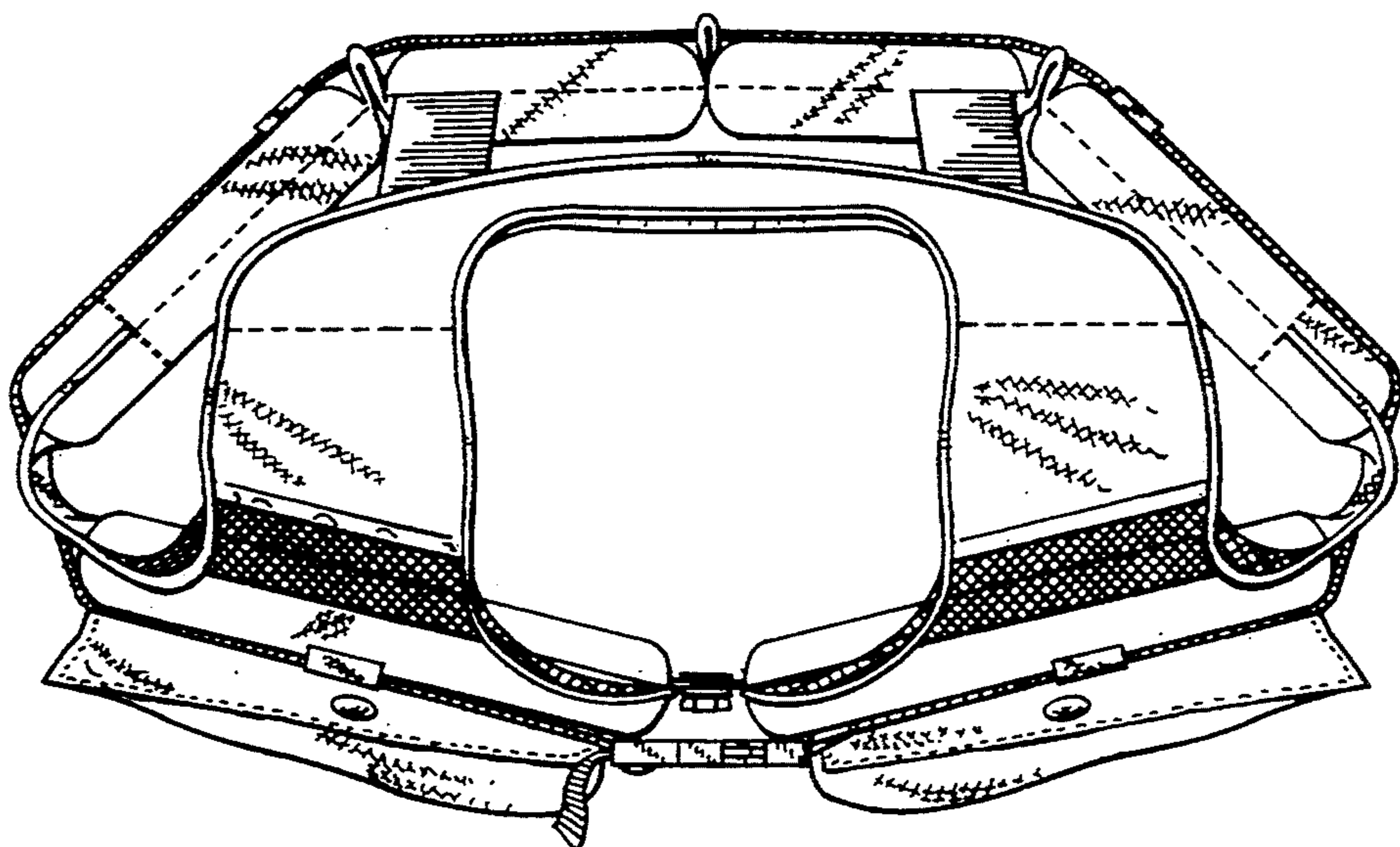


FIG 3

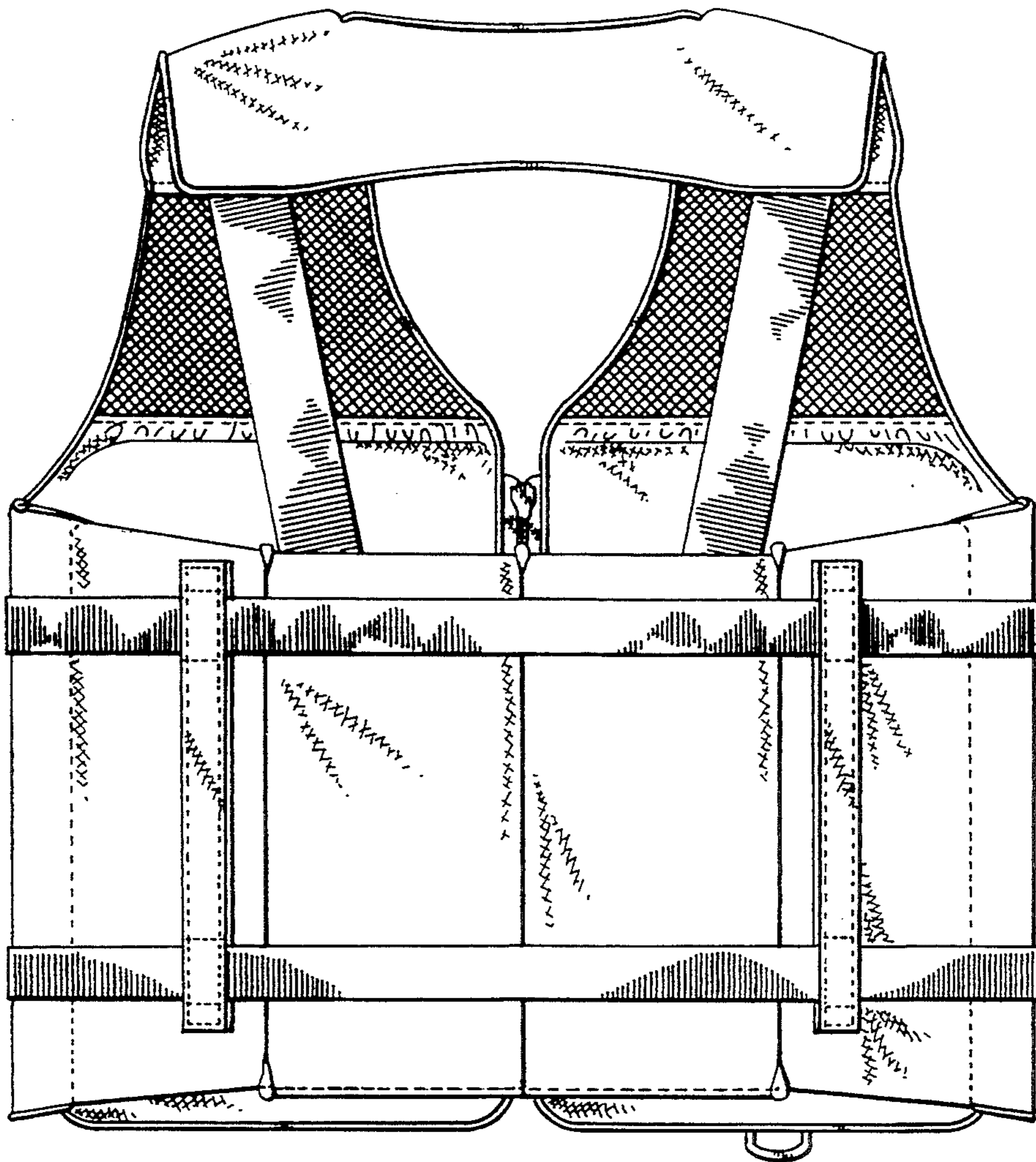


FIG 4

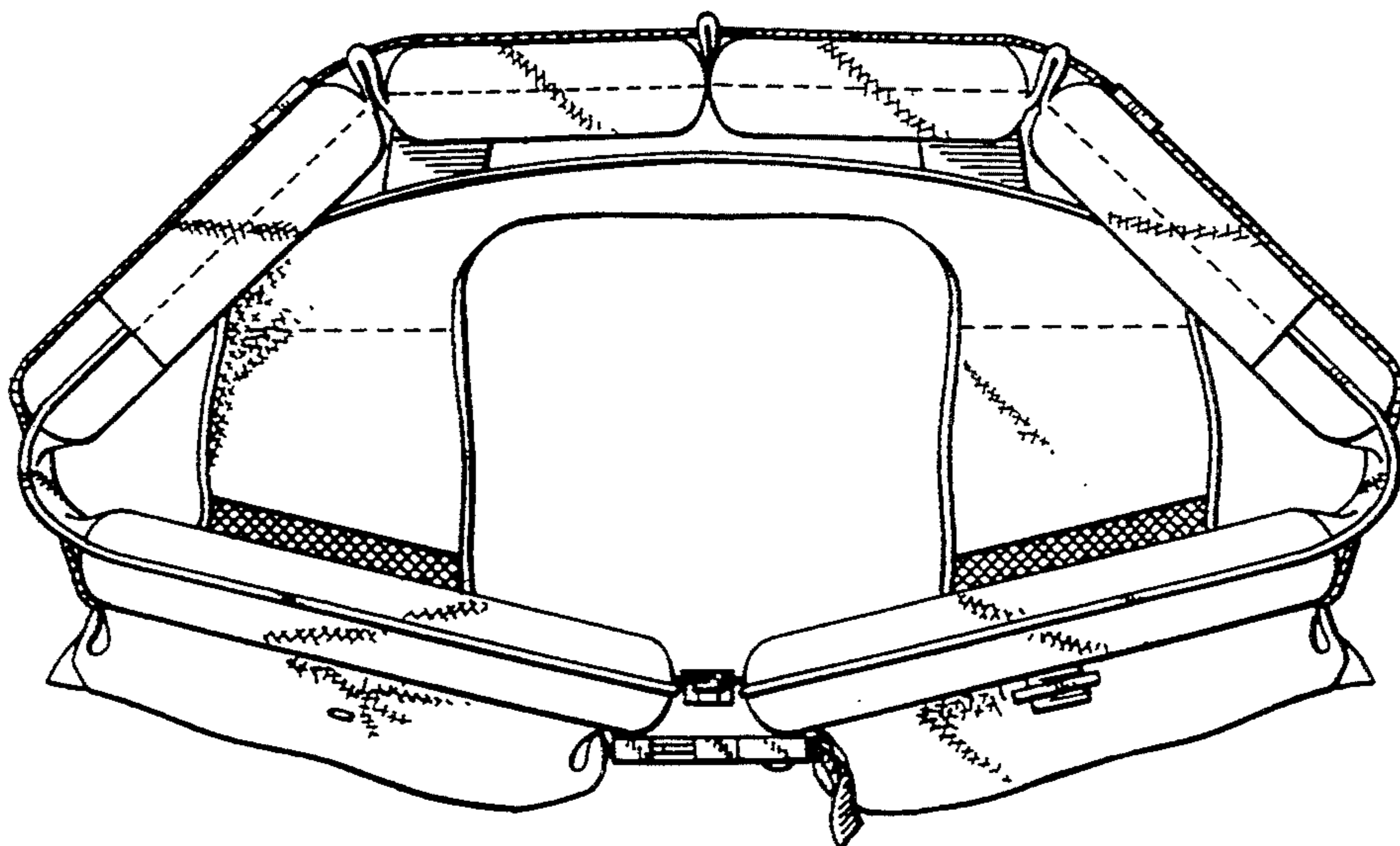


FIG 5

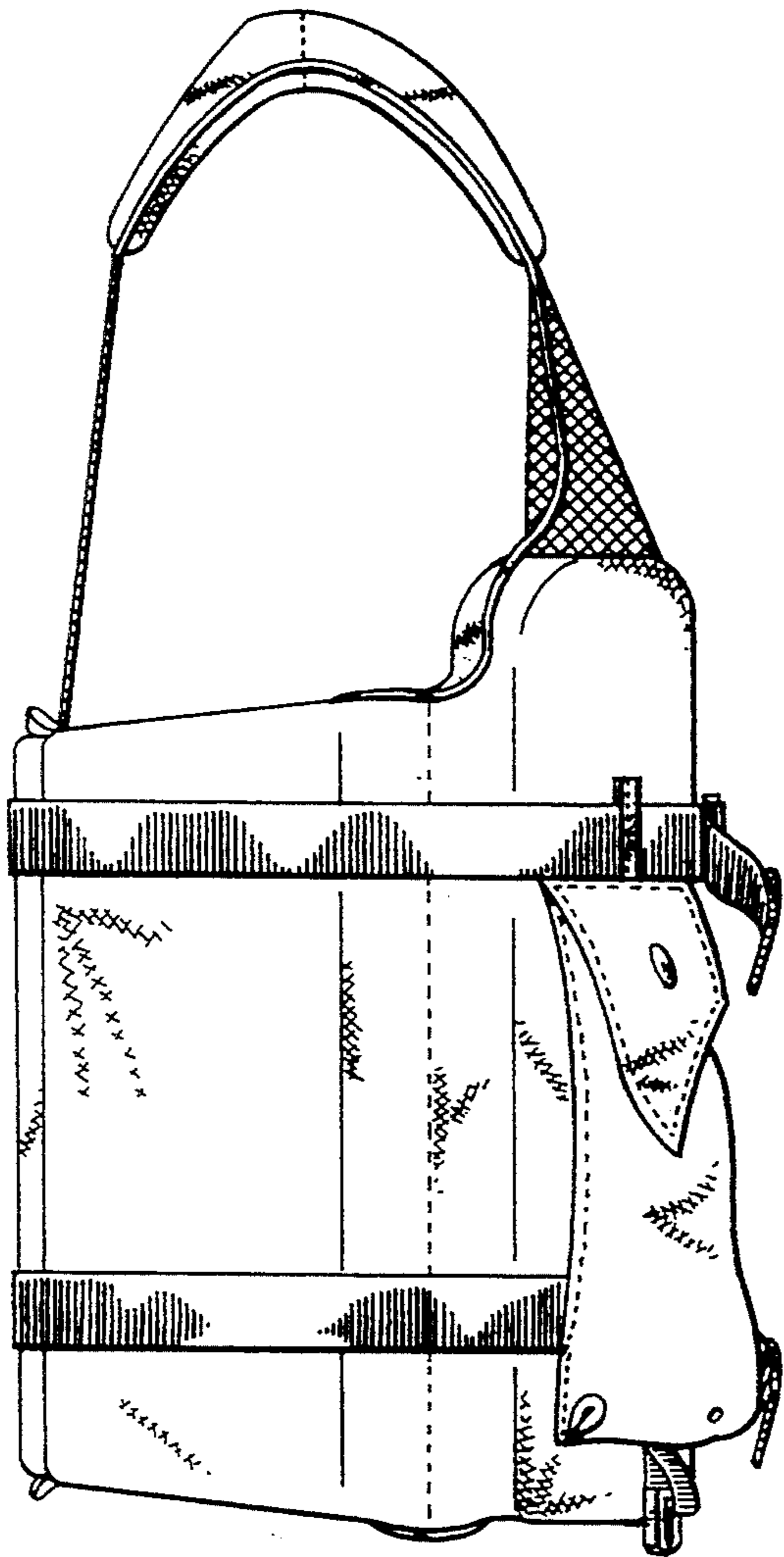


FIG 6

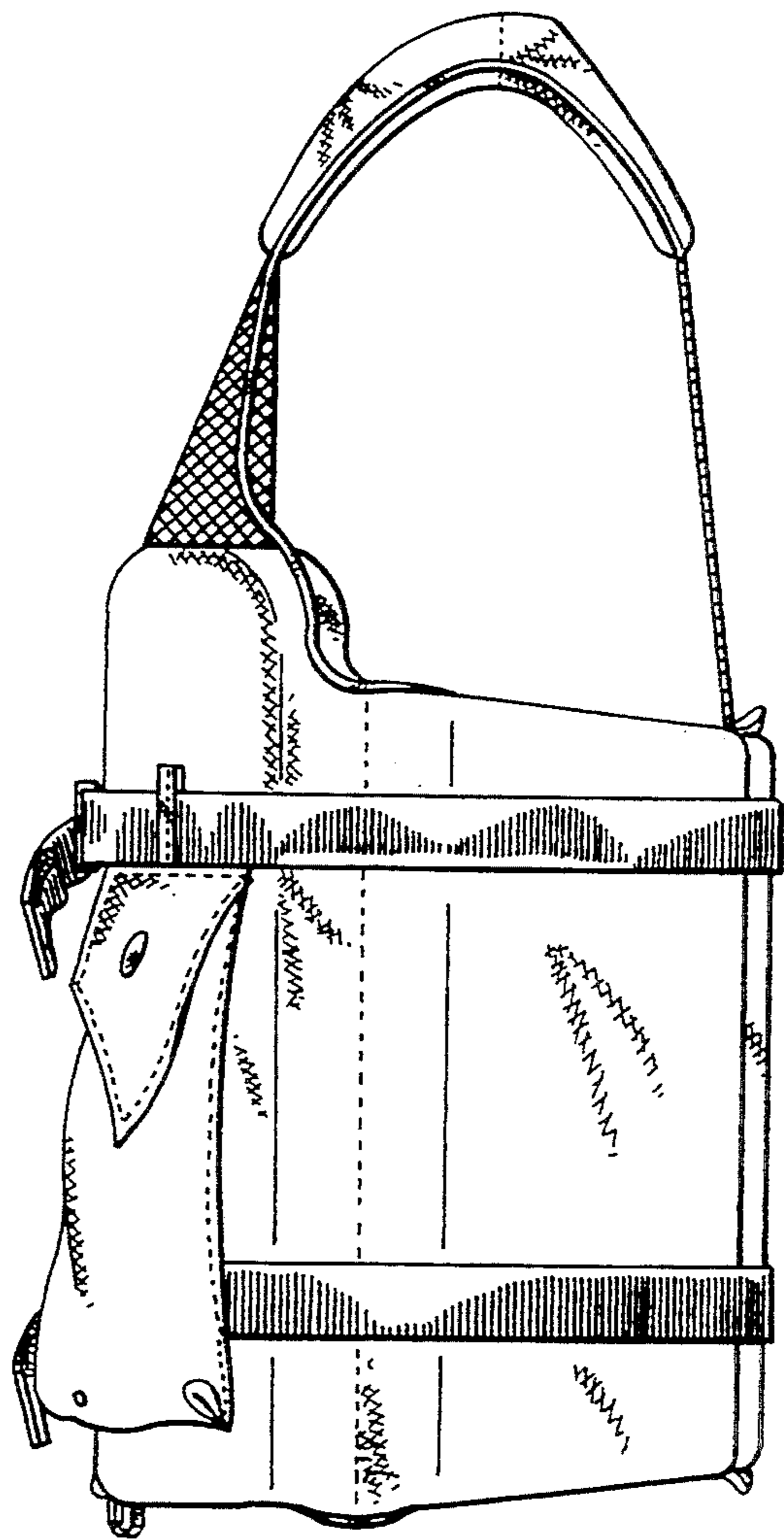


FIG 7