



US00D361114S

**United States Patent** [19]  
**Shepherd**

[11] **Patent Number: Des. 361,114**

[45] **Date of Patent: \*\* Aug. 8, 1995**

[54] **INNER TUBE INSERT**

5,297,978 3/1994 Ramsey ..... 441/131

[76] **Inventor: Clyde A. Shepherd, Box 277,  
Potlatch, Id. 83855**

*Primary Examiner*—Kay H. Chin  
*Attorney, Agent, or Firm*—Daryl C. Josephson; Kevin  
A. Sembrat

[\*\*] **Term: 14 Years**

[57] **CLAIM**

[21] **Appl. No.: 16,819**

The ornamental design for a inner tube insert, as shown  
and described.

[22] **Filed: Dec. 27, 1993**

[52] **U.S. Cl. .... D21/237; D21/236**

[58] **Field of Search ..... D21/236, 237; D12/316;  
441/131, 67**

**DESCRIPTION**

FIG. 1 is a top perspective view of the inner tube insert  
showing my new design, the broken lines are for illus-  
trative purposes only and form no part of the claimed  
design;

FIG. 2 is a side elevational view thereof, the opposite  
side view being a mirror image of that shown; and,  
FIG. 3 is a top plan view thereof, the bottom view being  
the same except that there are no handles.

[56] **References Cited**

**U.S. PATENT DOCUMENTS**

3,748,672	7/1973	Patrick et al. ....	441/131
5,046,978	9/1991	Howerton .....	441/181
5,295,885	3/1994	Karl .....	441/131

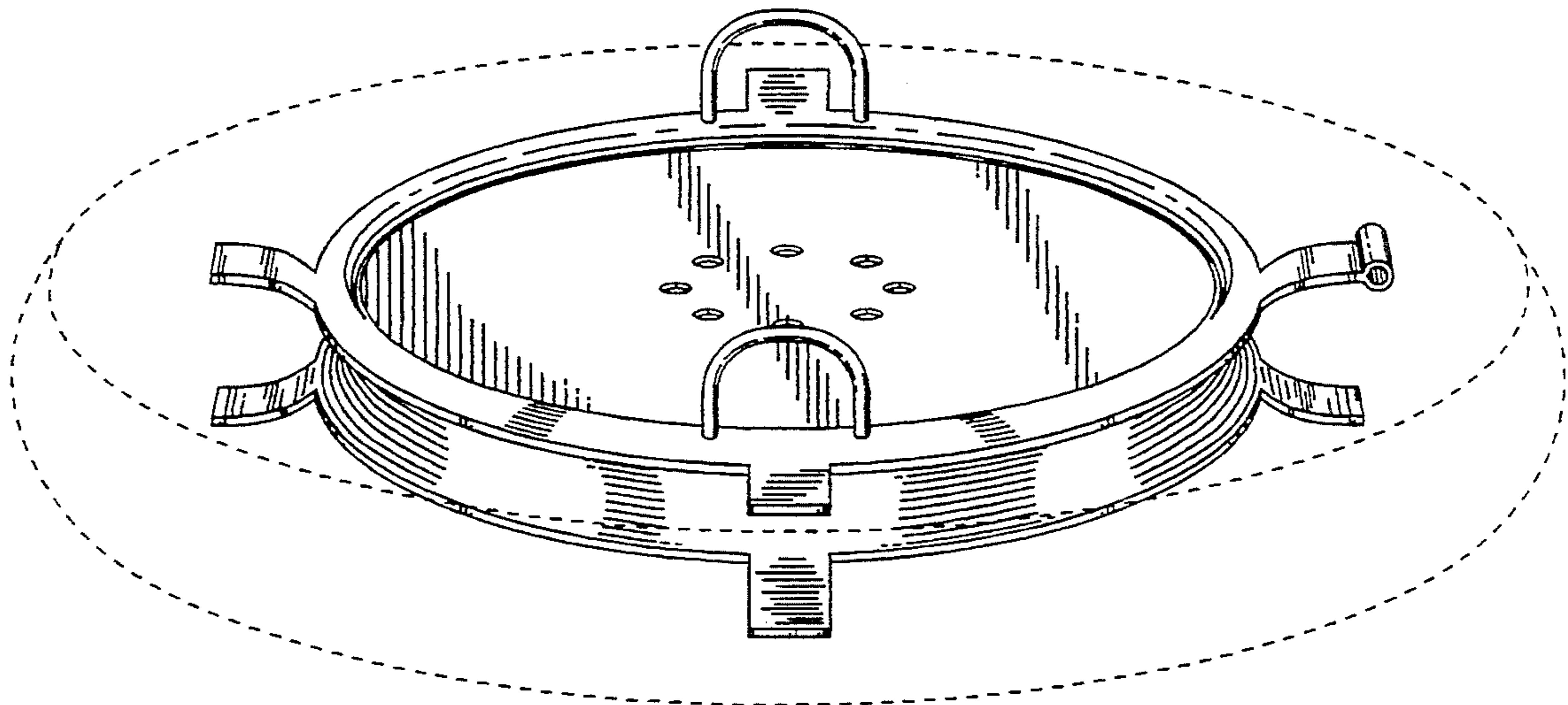


Fig.1

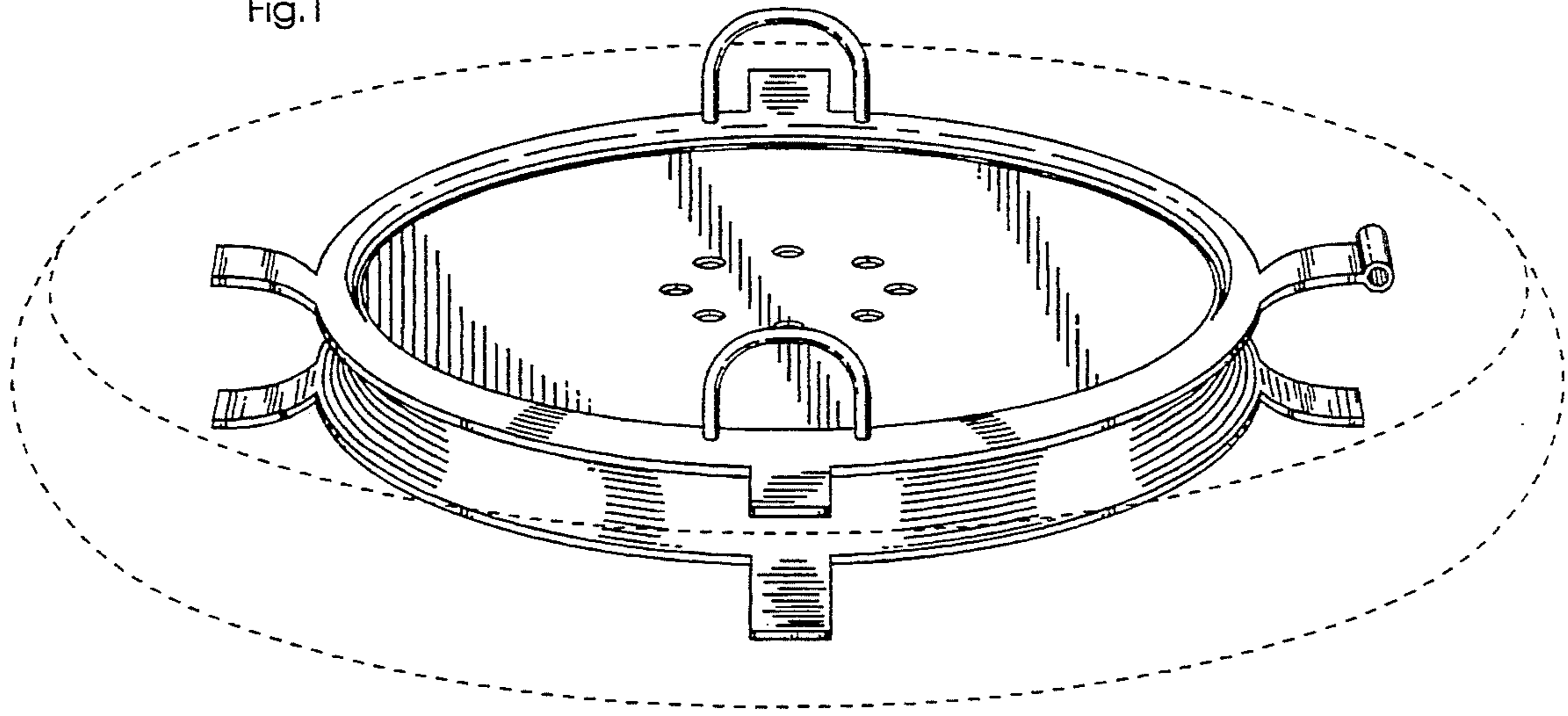


Fig.2

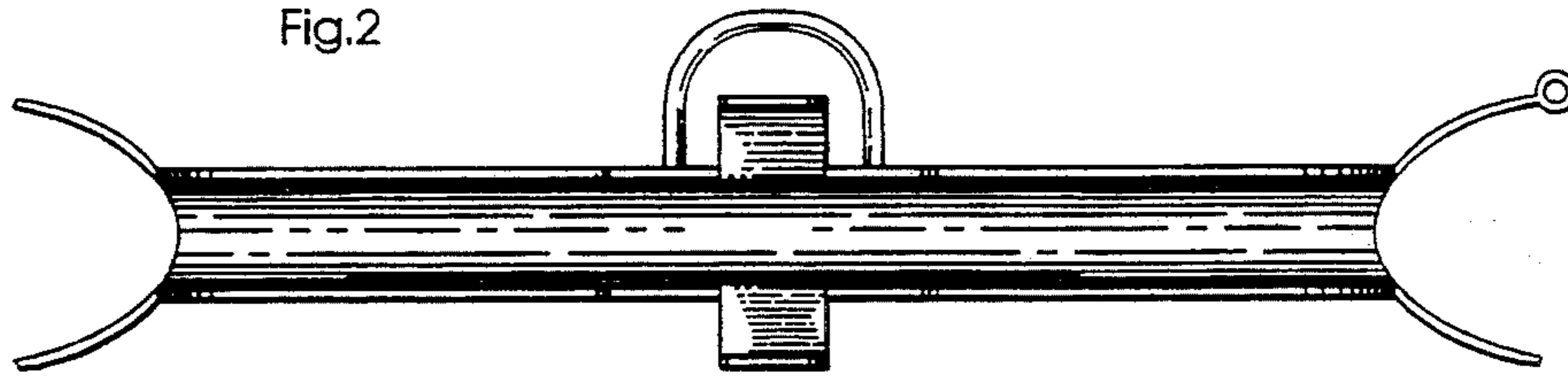


Fig.3

