



US00D361109S

# United States Patent [19]

[11] Patent Number: **Des. 361,109**

Davis, Jr.

[45] Date of Patent: **\*\* Aug. 8, 1995**

[54] TOILET CLEANER DISPENSER

[76] Inventor: **Herman Davis, Jr.**, 523 Hannon St., Petersburg, Va. 23803

[\*\*] Term: **14 Years**

[21] Appl. No.: **9,768**

[22] Filed: **Jun. 23, 1993**

[52] U.S. Cl. .... **D23/208**

[58] Field of Search ..... **D23/208, 207, 213; 4/223-228, 231**

4,261,957	4/1981	Schimanski .....	422/263
4,301,556	11/1981	Schimanski .....	4/231
4,555,819	12/1985	Weiss et al. ....	4/223
4,777,670	10/1988	Klinkhamner et al. ....	4/231
5,074,328	12/1991	Reinders .....	137/268

*Primary Examiner*—A. Hugo Word  
*Assistant Examiner*—M. Brown  
*Attorney, Agent, or Firm*—Richard C. Litman

### [57] CLAIM

The ornamental design for a toilet cleaner dispenser, as shown and described.

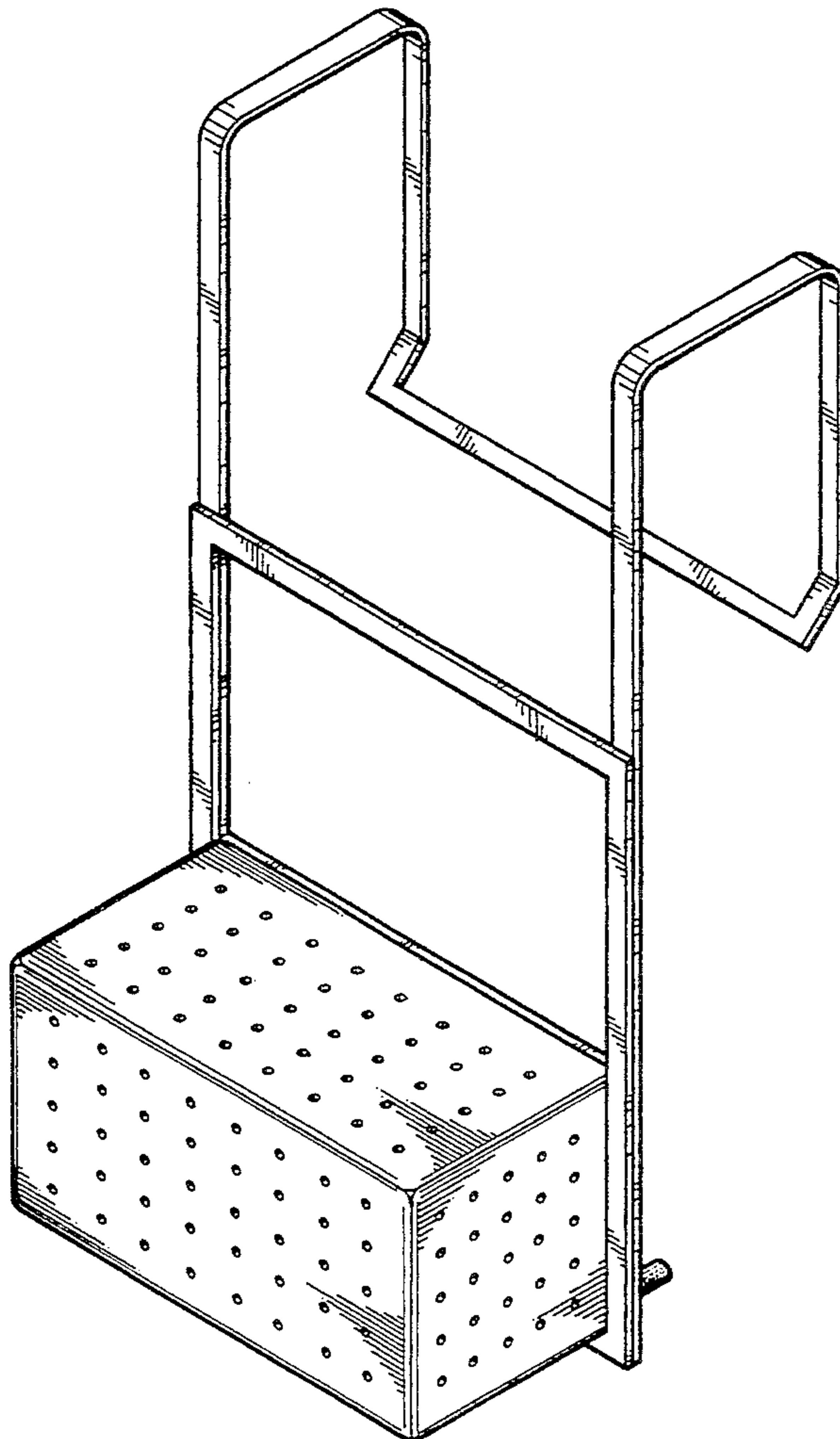
### DESCRIPTION

FIG. 1 is a front perspective view of a toilet cleaner dispenser showing my new design; FIG. 2 is a rear perspective view thereof, with the dispenser in partially open condition; FIG. 3 is a front elevational view thereof; FIG. 4 is a right side elevational view thereof, the left side being a mirror image; FIG. 5 is a top plan view thereof; FIG. 6 is a rear elevational view thereof; and, FIG. 7 is a bottom view thereof.

### [56] References Cited

#### U.S. PATENT DOCUMENTS

D. 104,077	4/1937	Miller .....	D23/208
D. 210,724	4/1968	Rosenheim .....	D23/208
D. 211,575	7/1968	Weinstein et al. ....	D23/208
D. 273,607	4/1984	Joyaux et al. ....	D23/208
D. 307,624	5/1990	Wefler .....	D23/208
D. 308,409	6/1990	Hoyt et al. ....	D23/208
3,423,182	1/1969	Klasky .....	4/228
3,604,020	9/1971	Moisa .....	4/228
3,943,582	3/1976	Daeninckx et al. ....	4/227



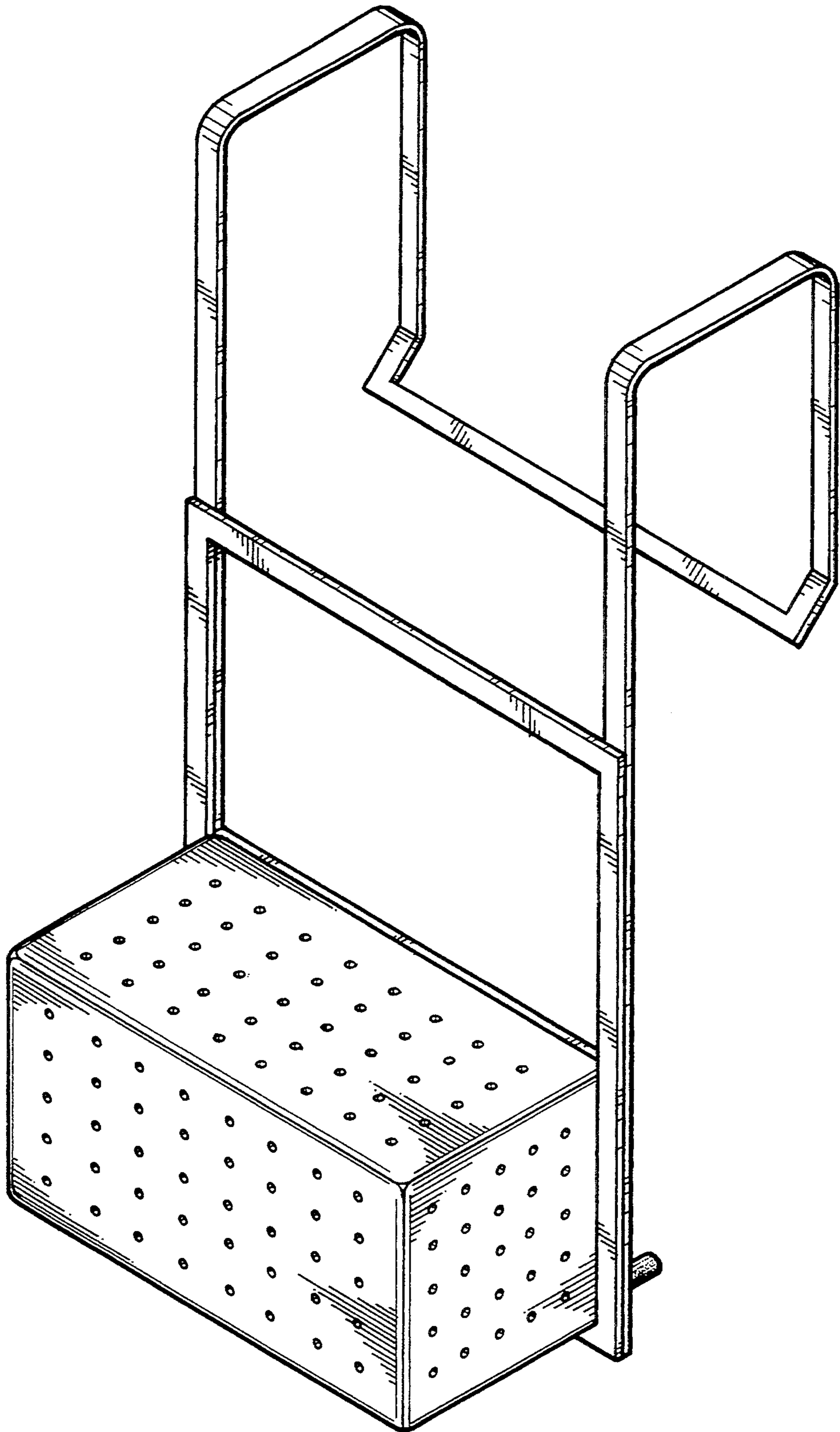


FIG. 1

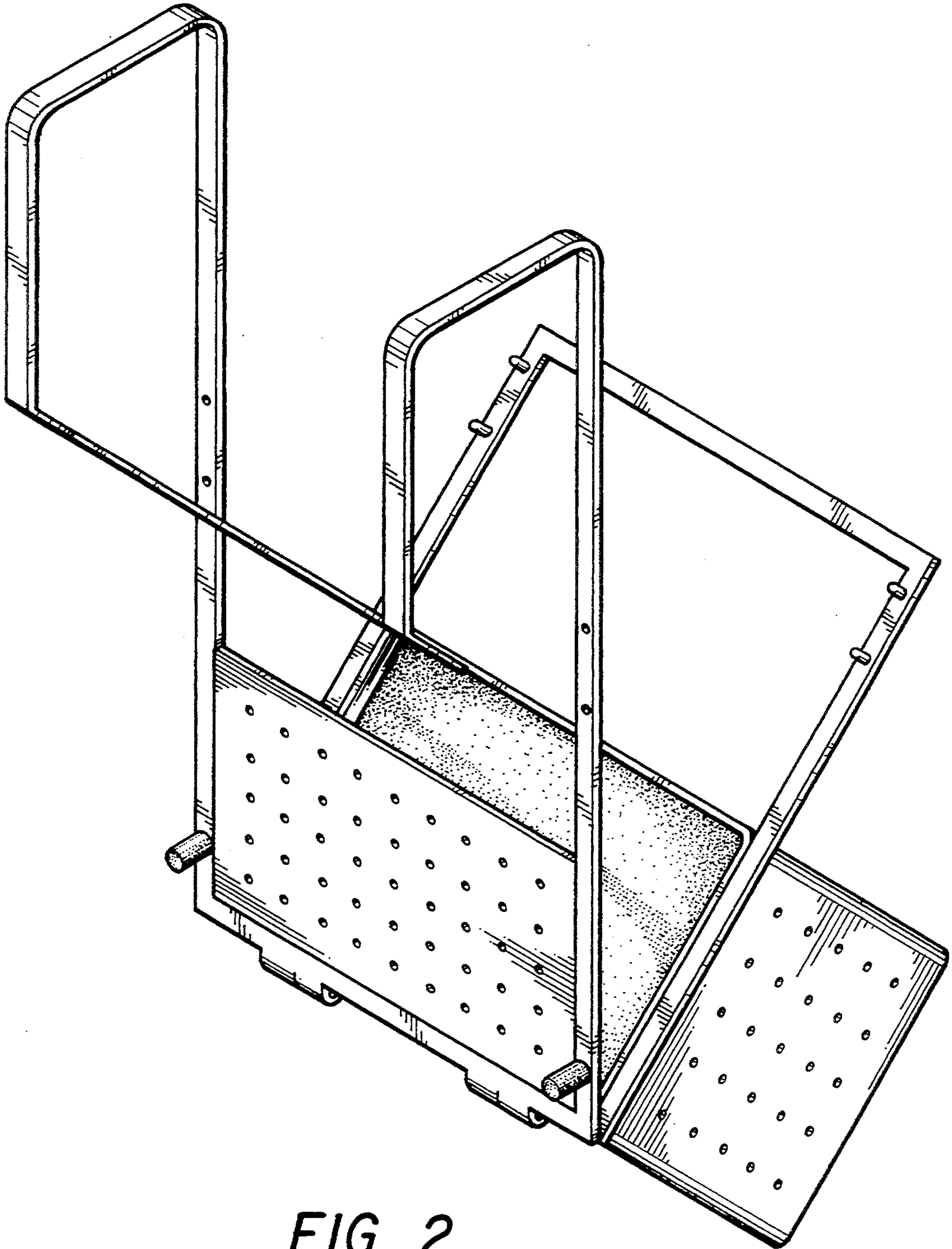


FIG. 2

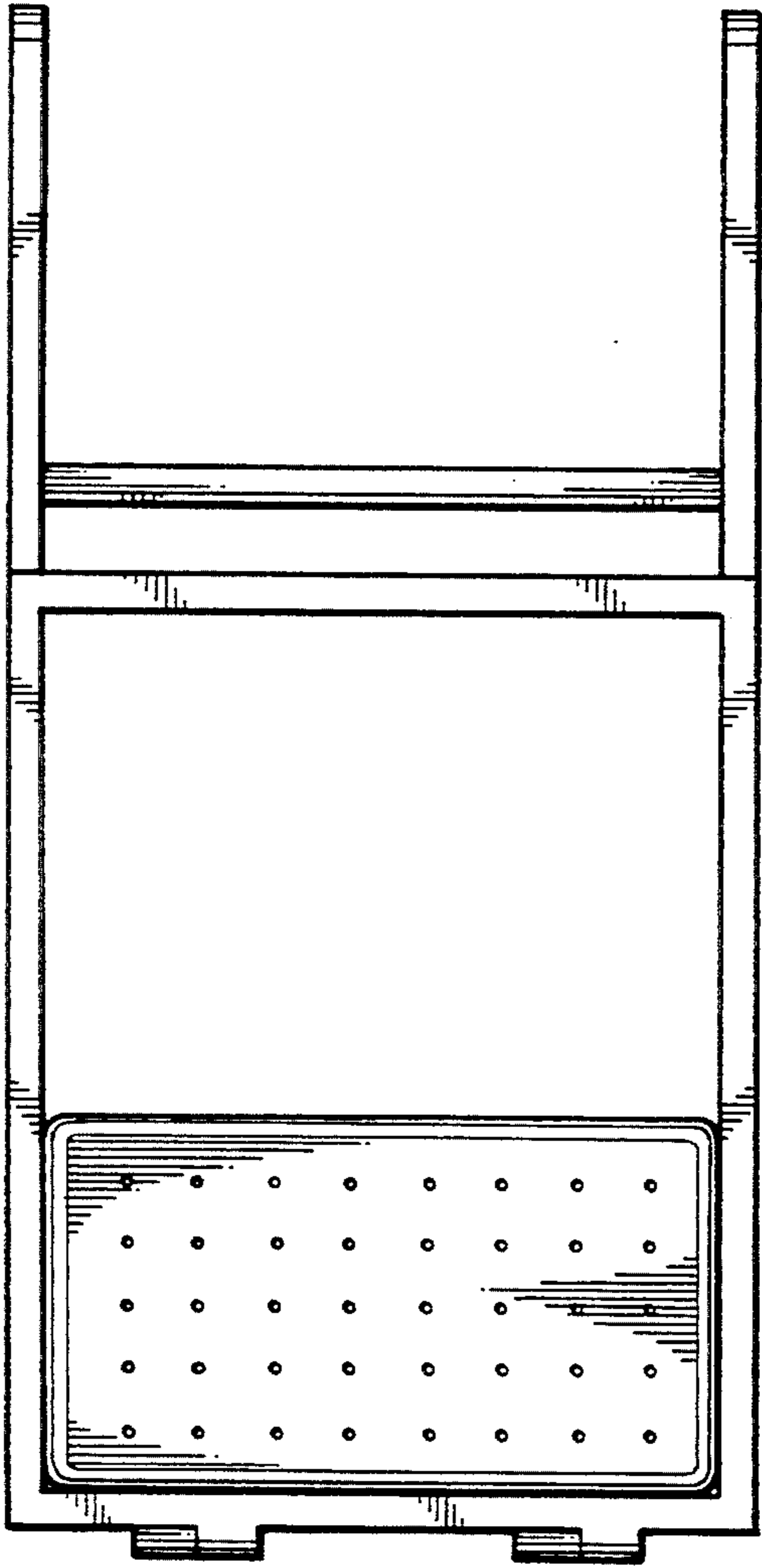


FIG. 3

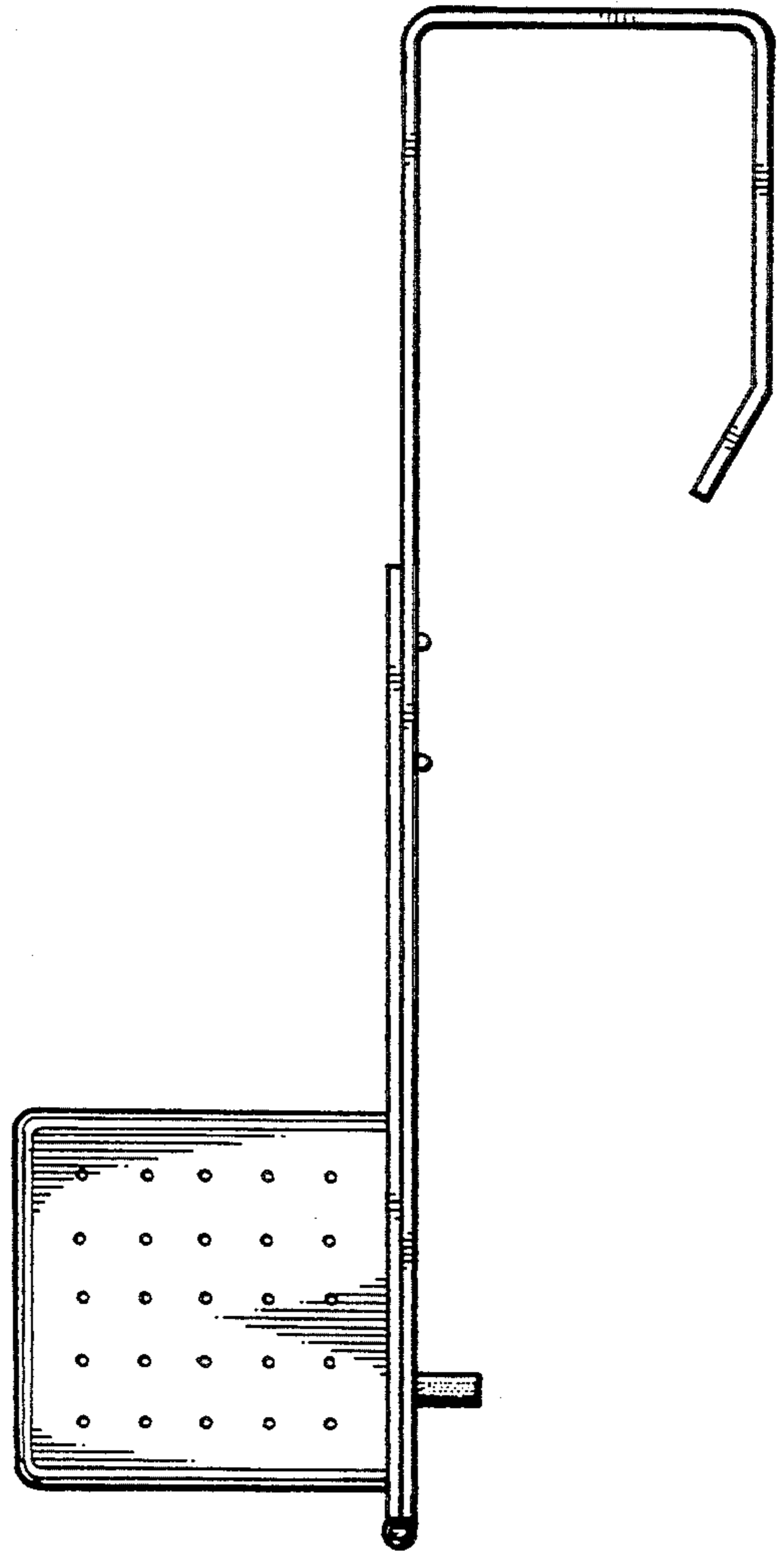


FIG. 4

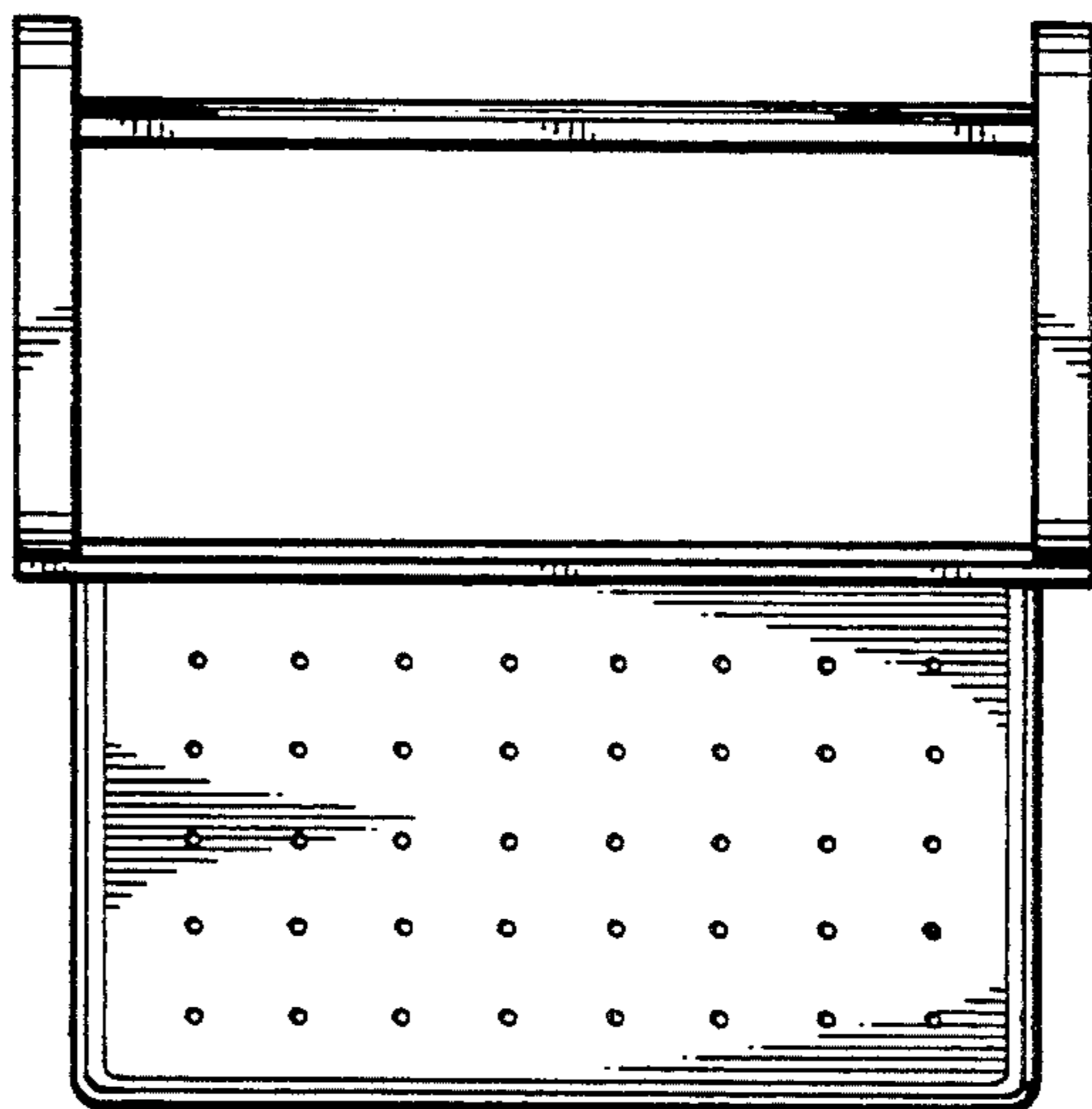


FIG. 5

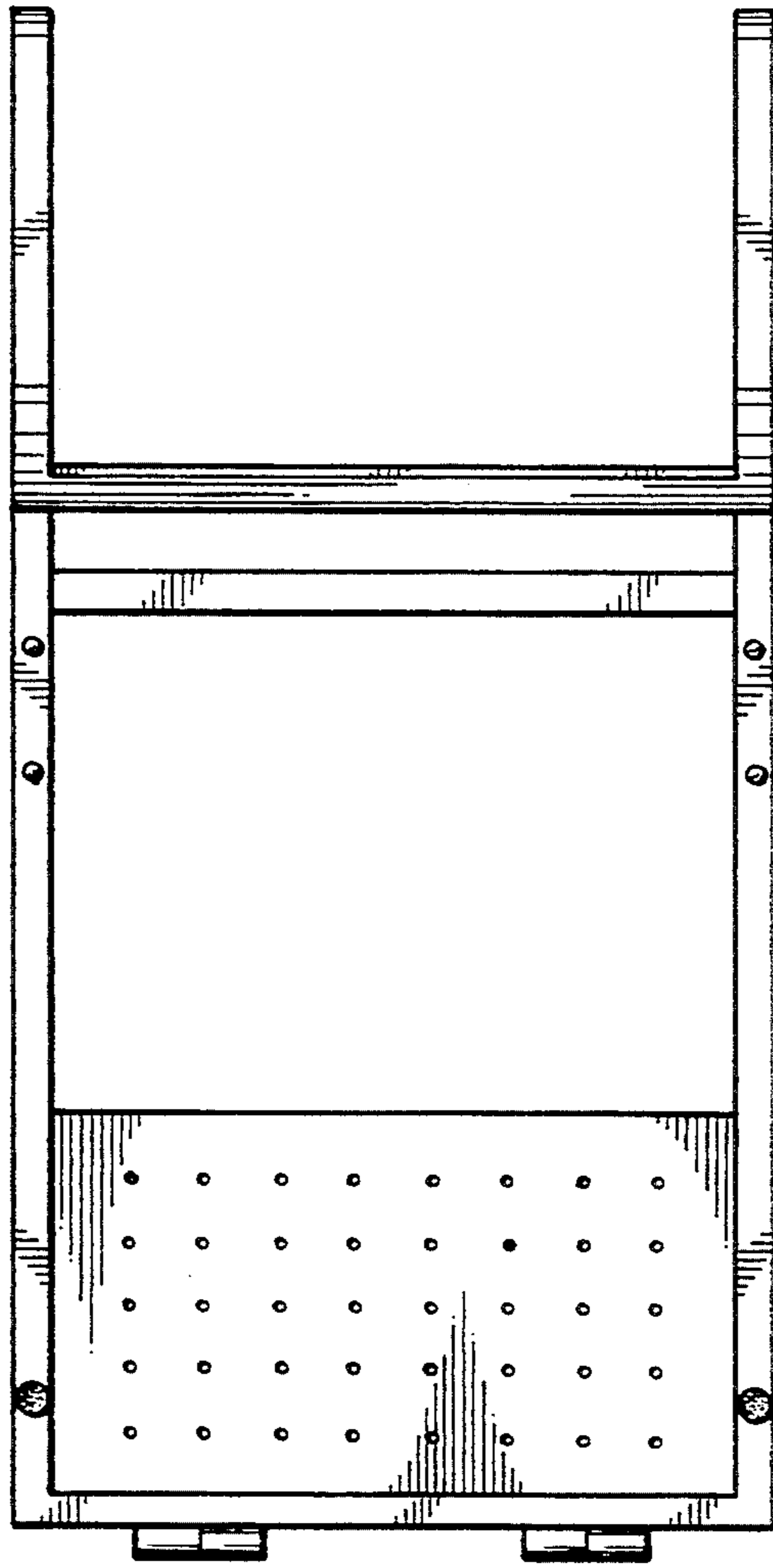


FIG. 6

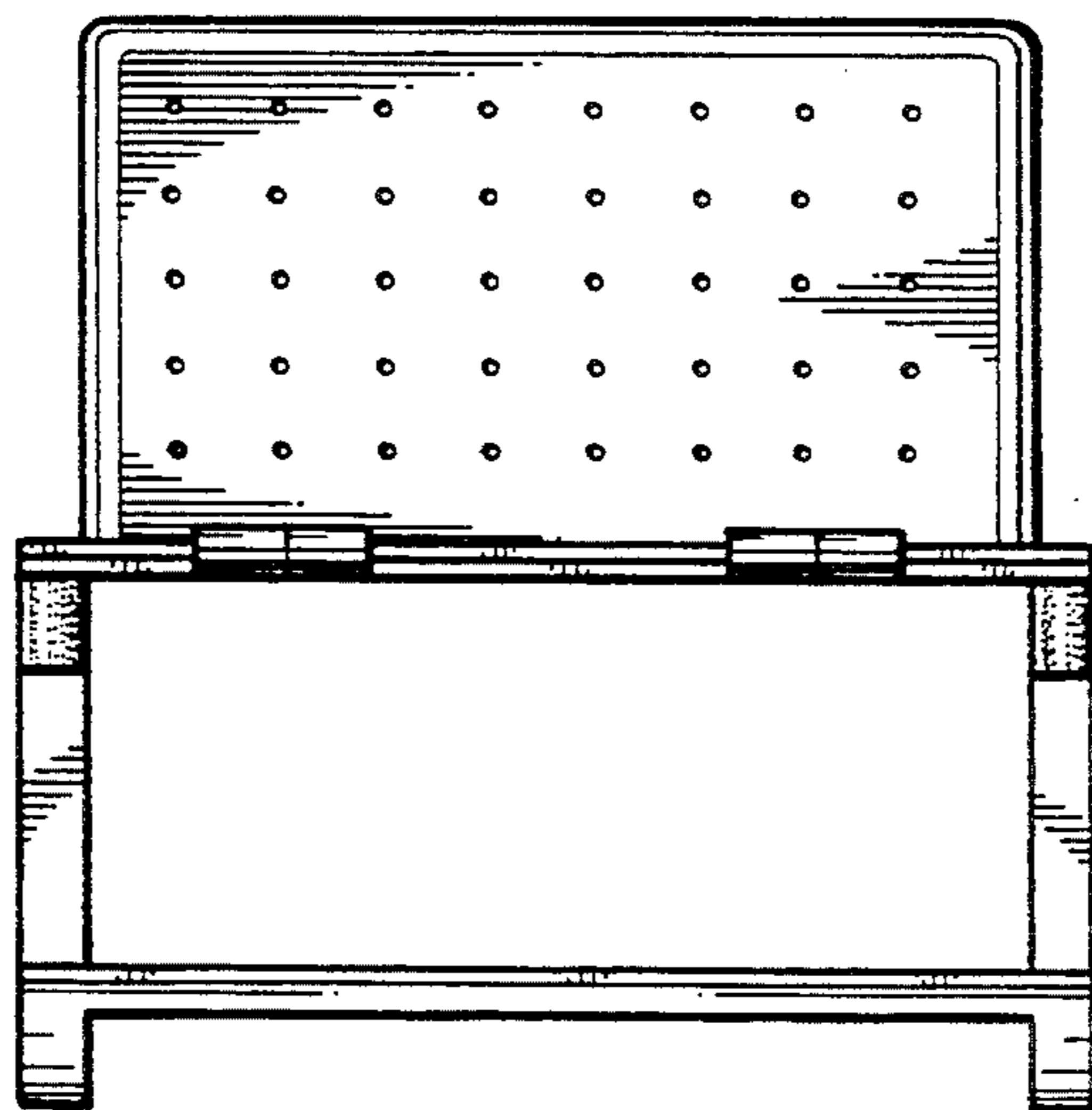


FIG. 7