



US00D361107S

United States Patent [19] Meyer

[11] Patent Number: **Des. 361,107**

[45] Date of Patent: **** Aug. 8, 1995**

[54] **PHYSICAL EXERCISE APPARATUS**

4,799,667 1/1989 Suchy 482/78

[75] Inventor: **Pio Meyer**, Wald, Switzerland

FOREIGN PATENT DOCUMENTS

[73] Assignee: **Bioengineering AG**, Wald, Switzerland

463933 8/1928 Germany 482/78
500000 12/1970 Switzerland .

[**] Term: **14 Years**

Primary Examiner—Theodore M. Shooman
Assistant Examiner—Philip Hyder
Attorney, Agent, or Firm—Jenkins & Gilchrist

[21] Appl. No.: **19,351**

[22] Filed: **Jan. 12, 1994**

[57] CLAIM

The ornamental design for physical exercise apparatus, as shown and described.

Related U.S. Application Data

[63] Continuation of Ser. No. 873,730, Apr. 27, 1992, abandoned.

DESCRIPTION

[30] Foreign Application Priority Data

Dec. 6, 1991 [XH] Hague Agreement DM/021,368

[52] U.S. Cl. **D21/191**

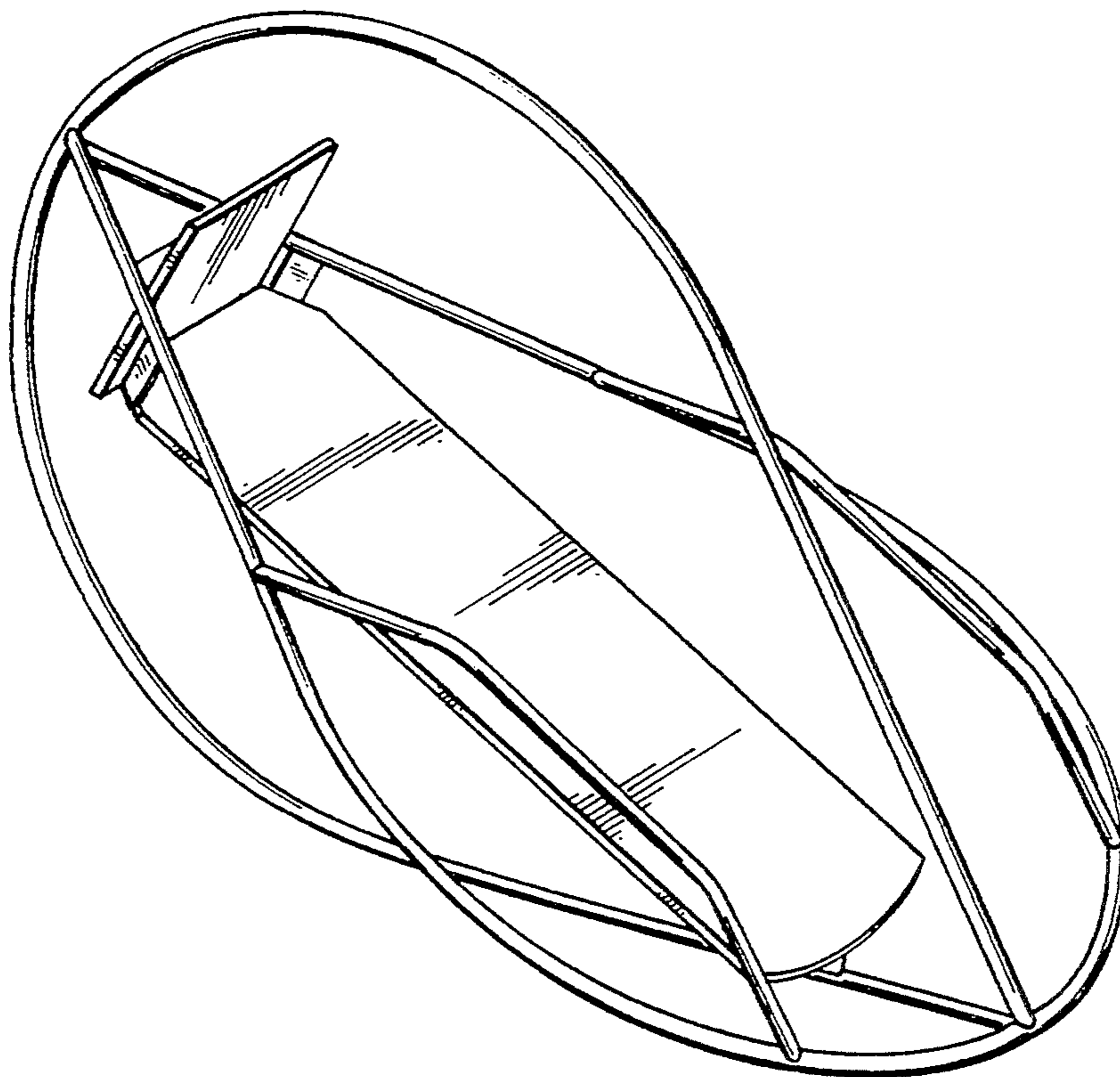
[58] Field of Search D21/191, 242; 482/144, 482/68, 78; 472/135

FIG. 1 is a top plan view of a physical exercise apparatus showing my new design;
FIG. 2 is a right side elevational view thereof, the left side view being a mirror image thereof;
FIG. 3 is a perspective view of the physical exercise apparatus of FIG. 1;
FIG. 4 is a perspective view thereof, the broken line showing of the person being for illustrative purposes only and forming no part of the claimed design;
FIG. 5 is a front elevational view of the physical exercise apparatus of FIG. 1; and,
FIG. 6 is a rear elevational view of the physical exercise apparatus of FIG. 1.

[56] References Cited

U.S. PATENT DOCUMENTS

D. 317,488 6/1991 Inada D21/191
3,826,488 7/1974 Hall, Jr. 482/78
4,458,895 7/1984 Turcotte 482/78
4,579,336 4/1986 Morin 482/78



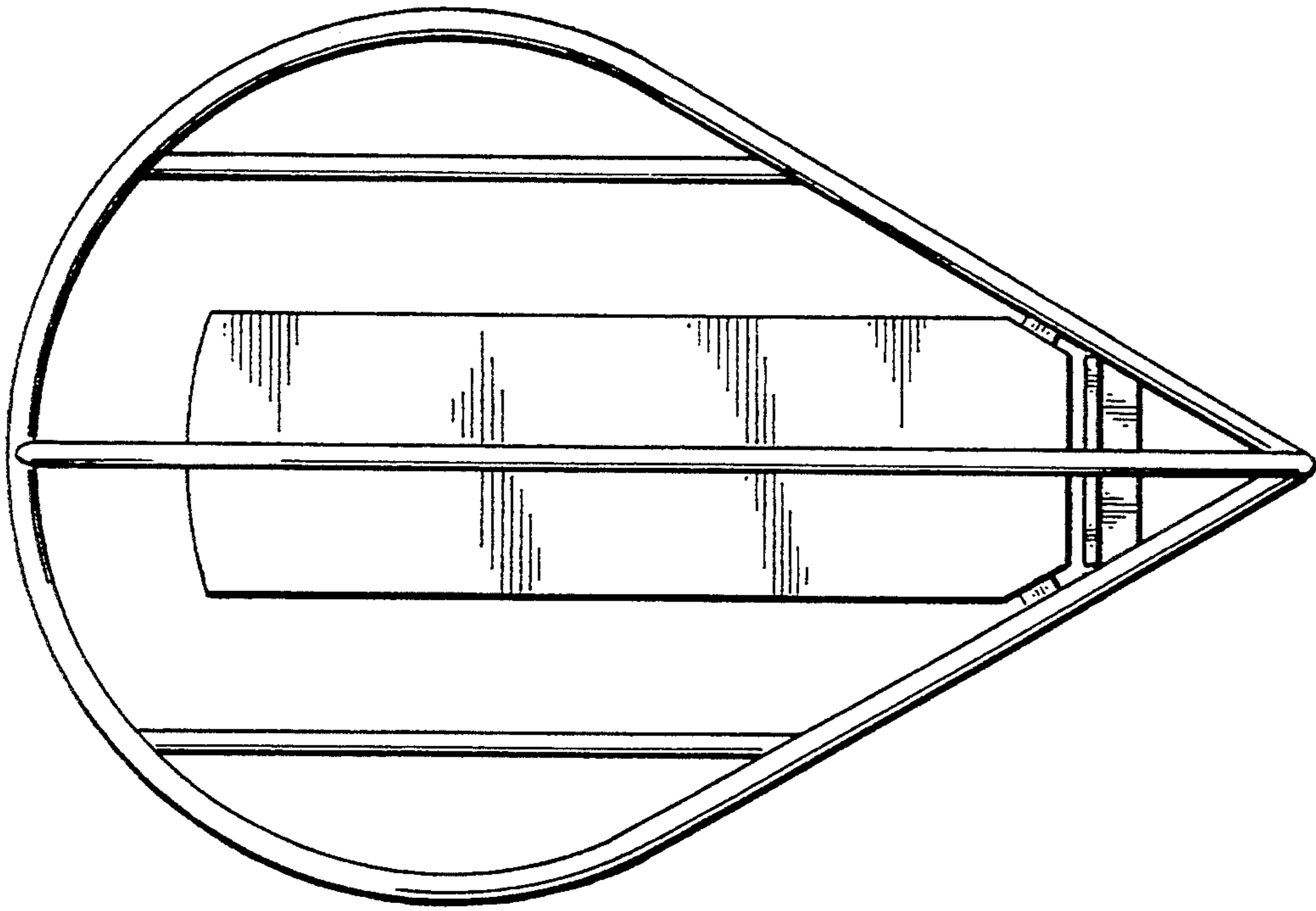


FIG. 1

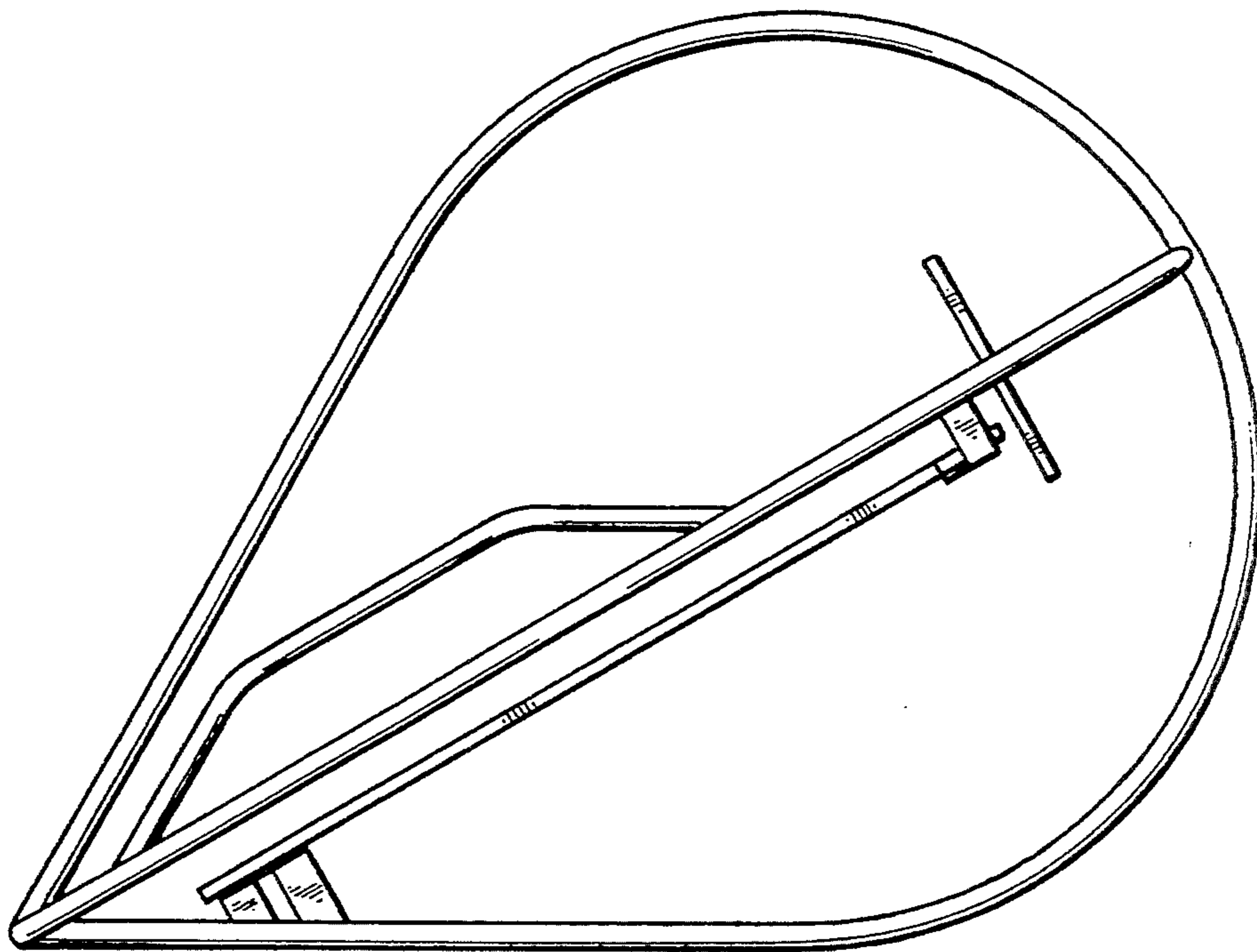


FIG. 2

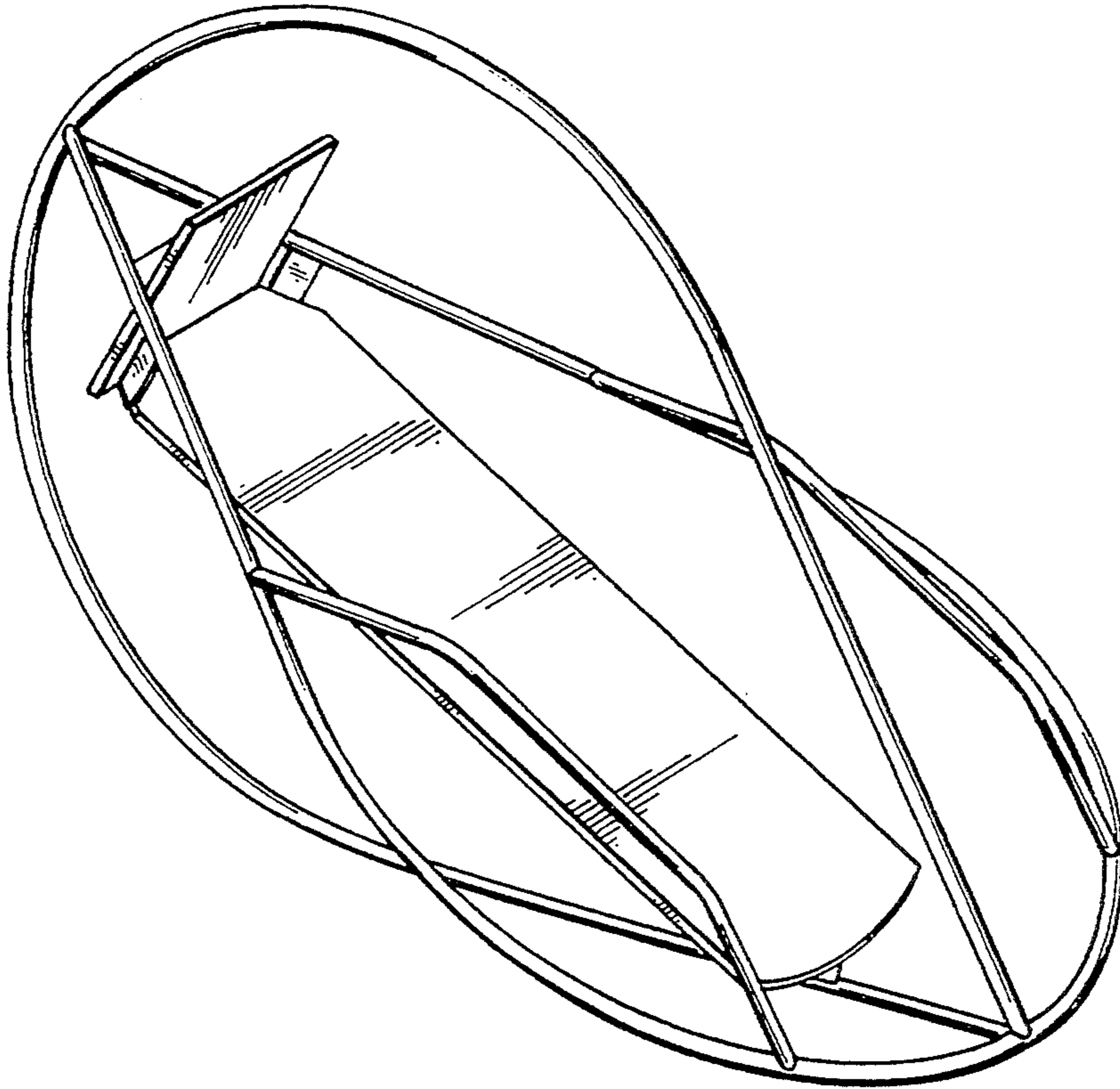


FIG. 3

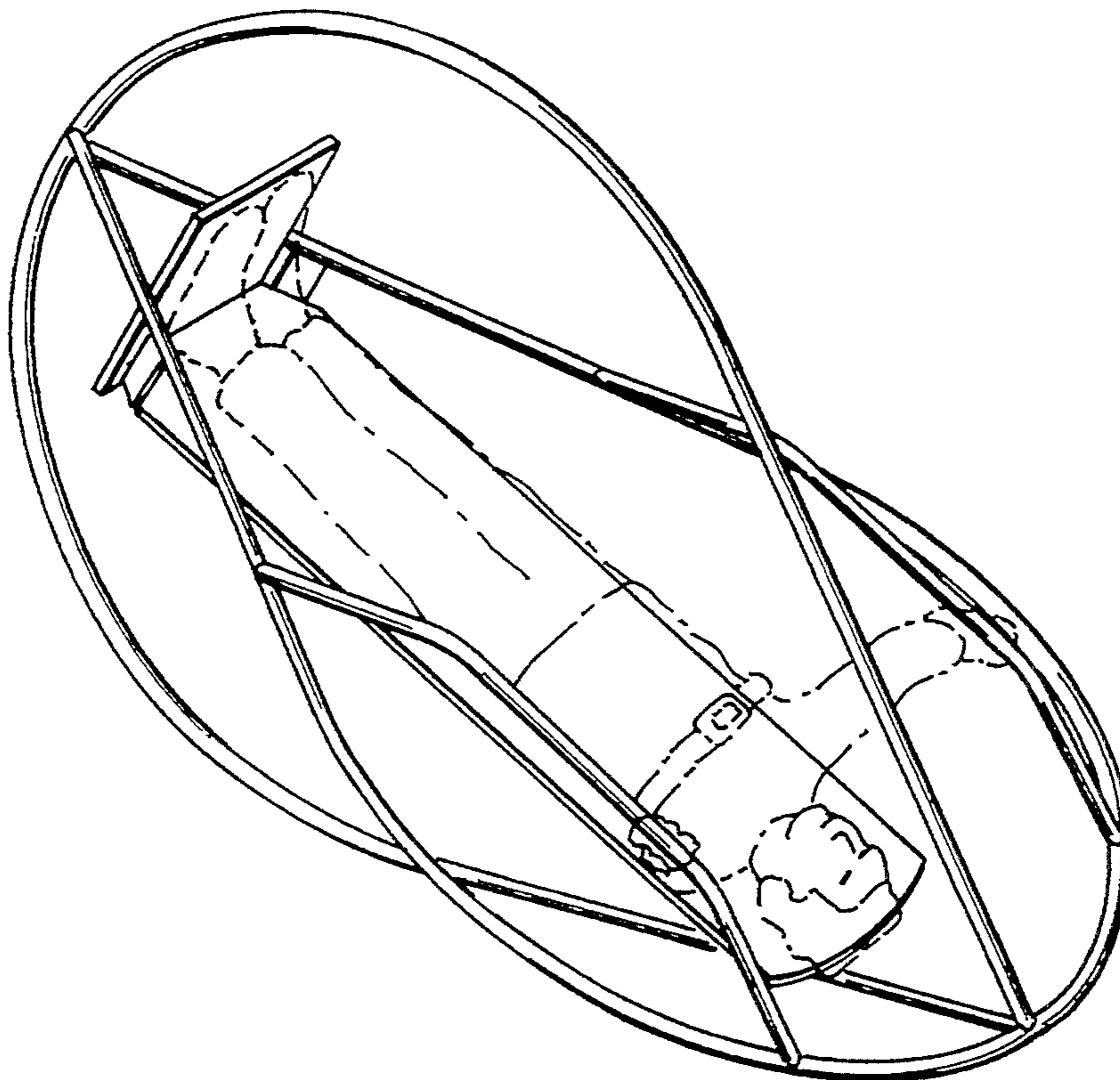


FIG. 4

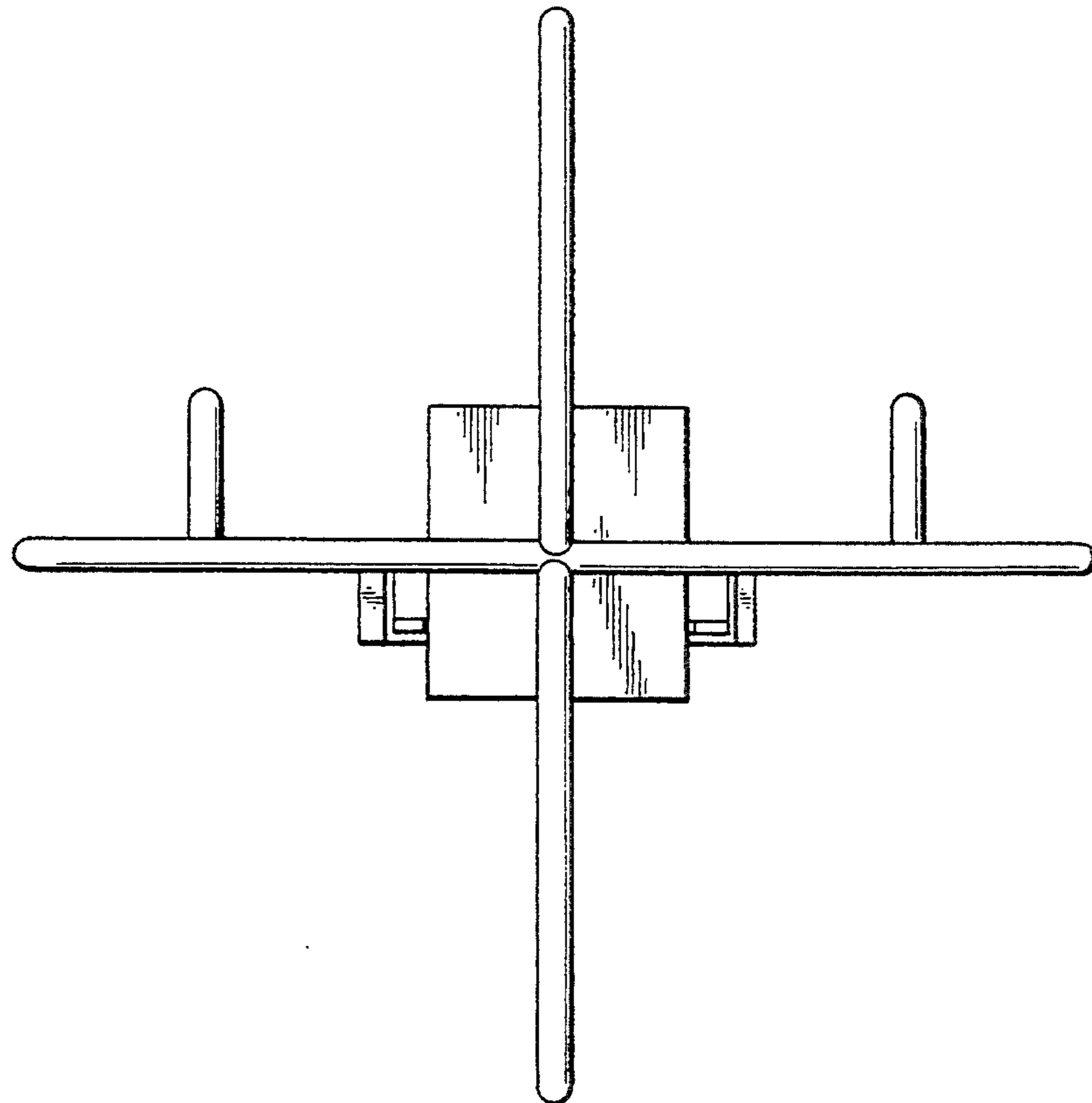


FIG. 5

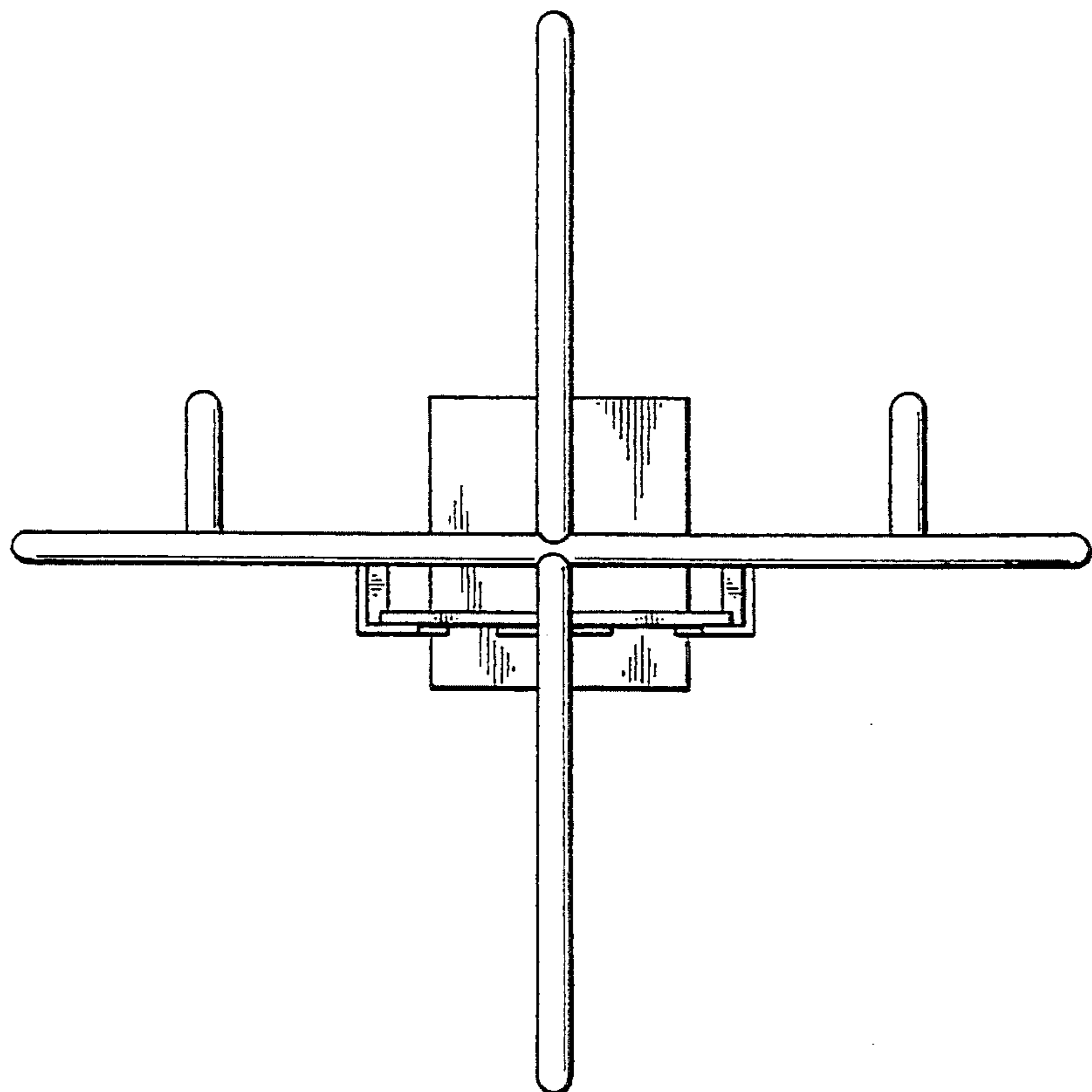


FIG. 6