



US00D361105S

United States Patent [19]

[11] Patent Number: **Des. 361,105**

Griffin

[45] Date of Patent: **** Aug. 8, 1995**

[54] REPEAT FIRING TOY PROJECTILE LAUNCHER

4,569,666 2/1986 Wolf 446/473

[75] Inventor: **David R. Griffin**, Morning View, Ky.

OTHER PUBLICATIONS

Hong Kong Toys, 2/91 p. 348 Dart Gun #531.

[73] Assignee: **Tonka Corporation**, Pawtucket, R.I.

Primary Examiner—Terry A. Wallace

[**] Term: **14 Years**

Assistant Examiner—R. Barkai

Attorney, Agent, or Firm—Kurt R. Benson

[21] Appl. No.: **22,261**

[57] CLAIM

[22] Filed: **May 2, 1994**

The ornamental design for a repeat firing toy projectile launcher, as shown and described.

[52] U.S. Cl. **D21/147**

[58] Field of Search D21/3, 13, 127, 145-147; D22/100, 103, 113; D23/223-227; D14/116; 446/28, 175, 267, 473; 222/78, 79; 239/211, 329, 332, 337, 373; 127/21, 27, 56, 65-67

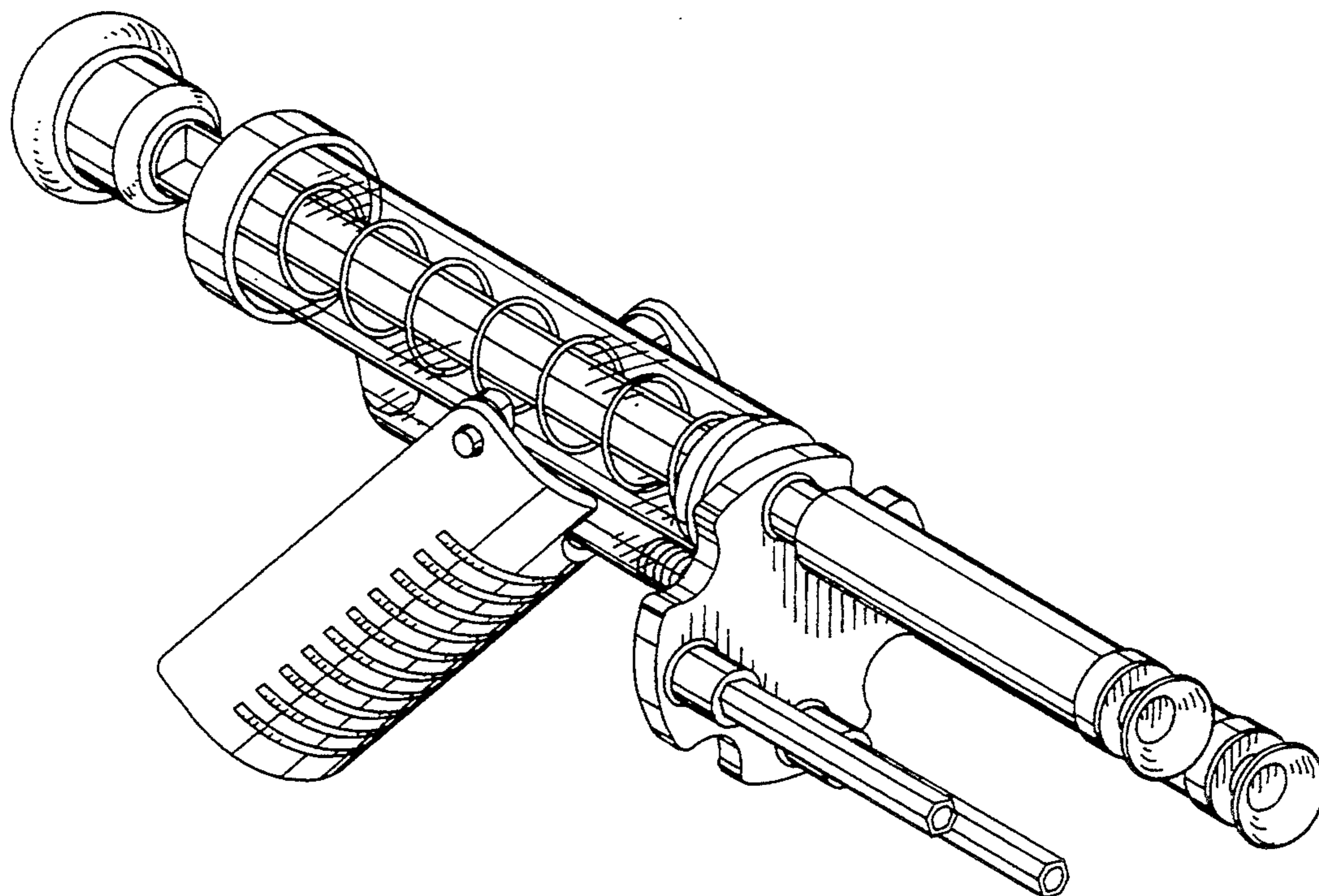
DESCRIPTION

FIG. 1 is a perspective view of a repeat firing toy projectile launcher embodying my new design; FIG. 2 is a right side elevational view thereof; FIG. 3 is a left side elevational view thereof; FIG. 4 is a top plan view thereof; FIG. 5 is a bottom plan view thereof; FIG. 6 is a front elevational view thereof; FIG. 7 is a rear elevational view thereof; FIG. 8 is a perspective view thereof in a collapsed position; and, FIG. 9 is a perspective view thereof in a loaded and cocked position.

[56] References Cited

U.S. PATENT DOCUMENTS

D. 286,900	11/1986	Barthropp	D21/147
D. 346,837	5/1994	Sun	D21/147
2,871,617	2/1959	West	446/267
2,888,004	5/1959	Steiner	D21/147
3,026,864	3/1962	Gray	124/27
3,919,799	11/1975	Austin et al.	D21/146
4,016,854	4/1977	Lehman	124/27



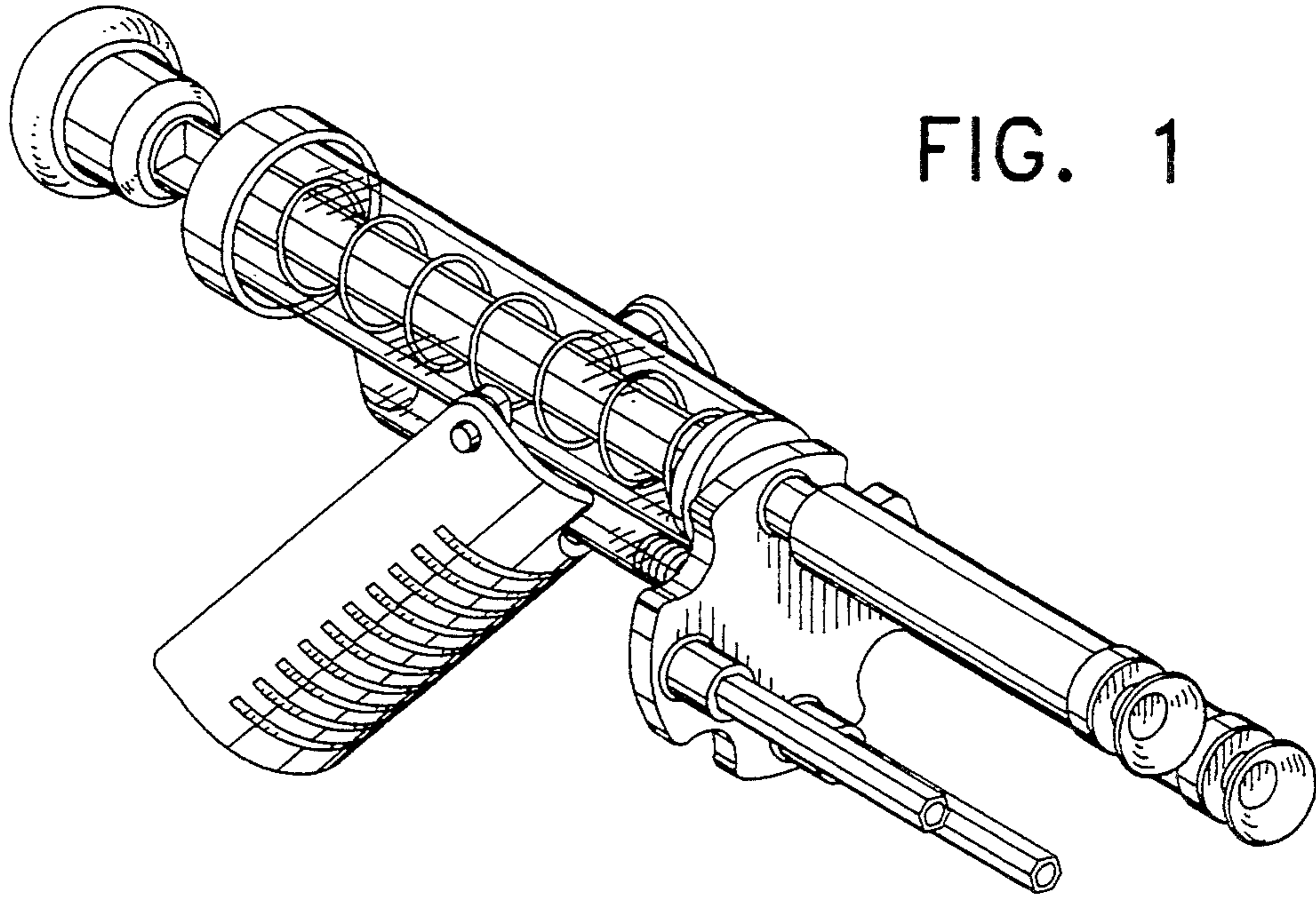


FIG. 1

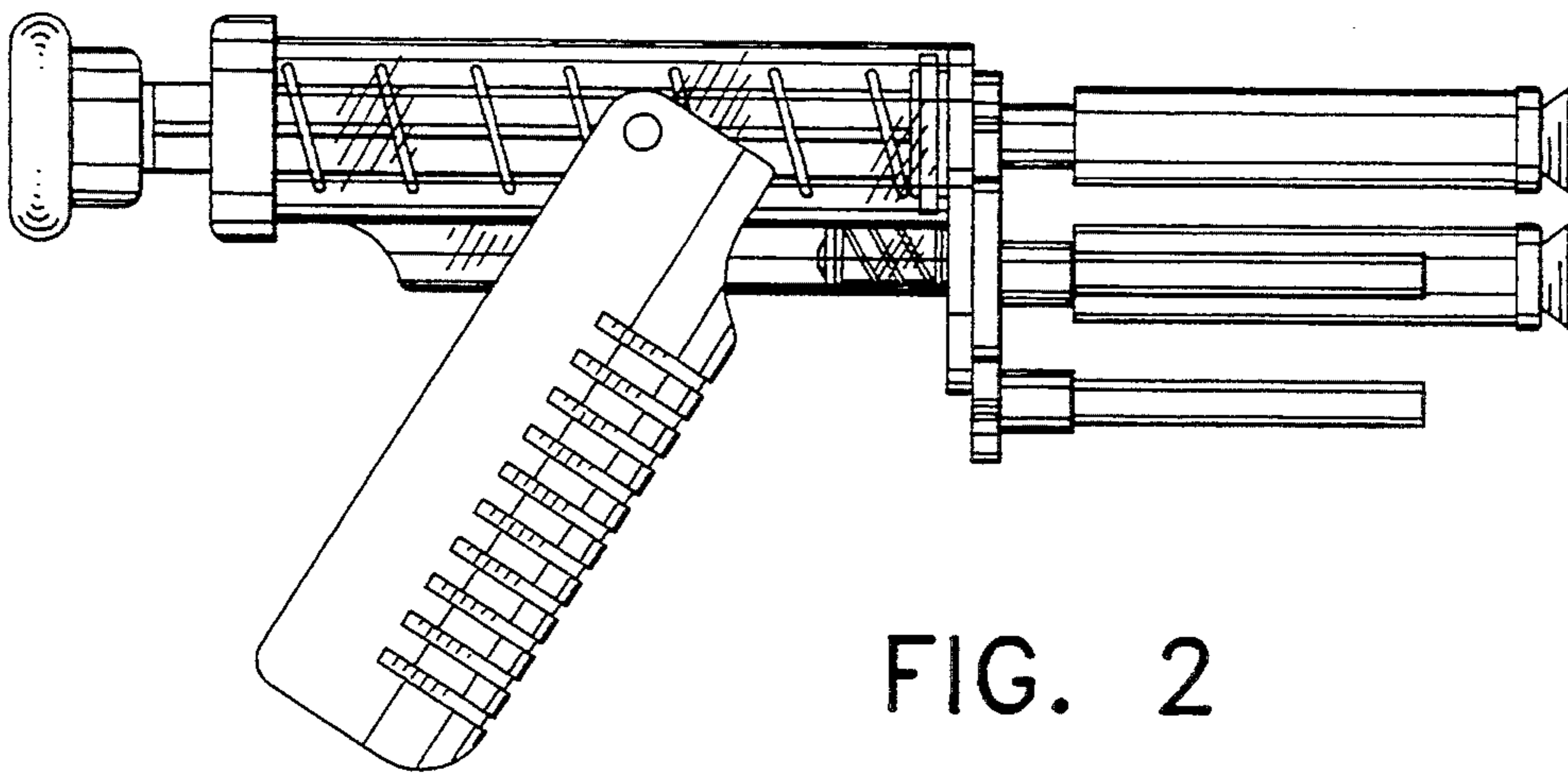


FIG. 2

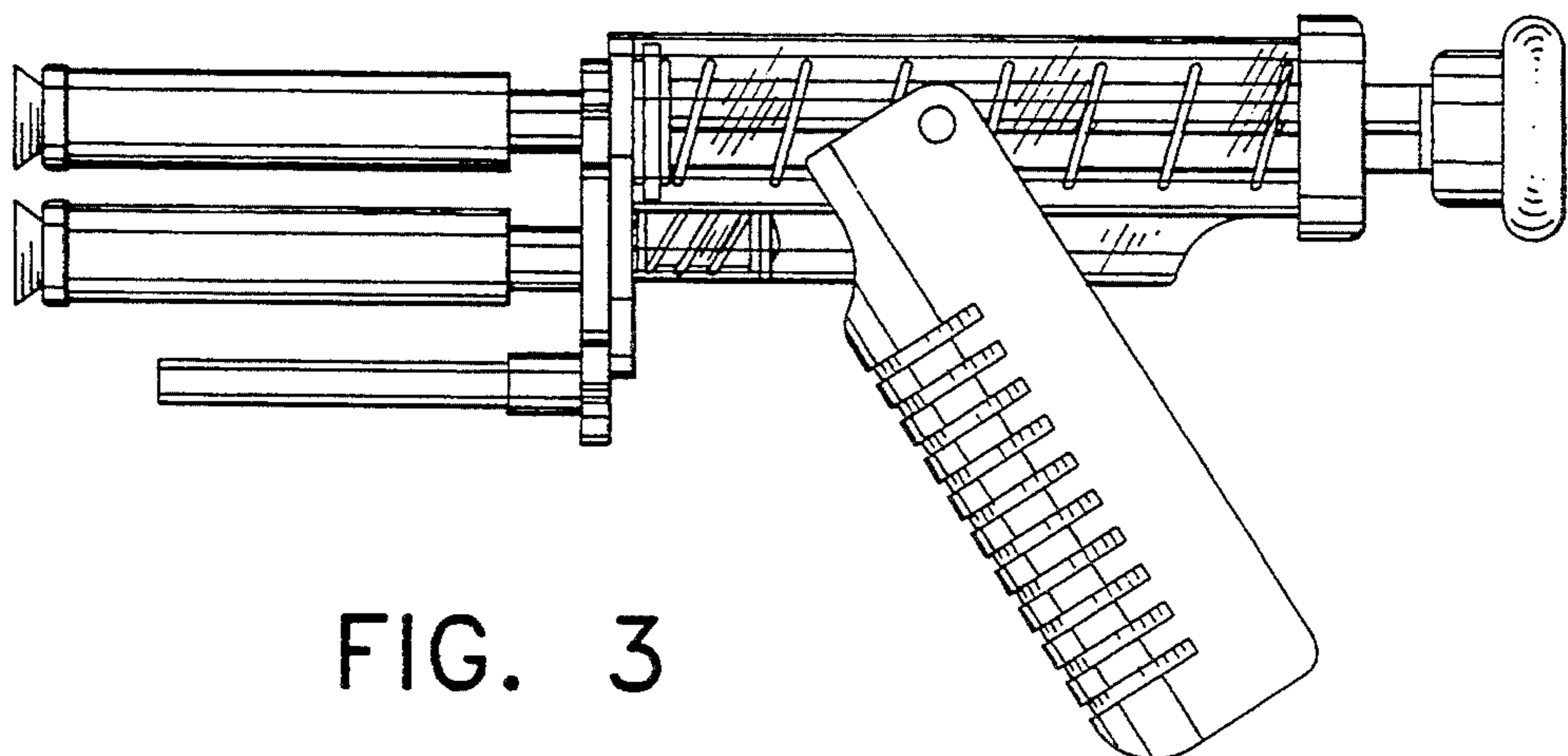


FIG. 3

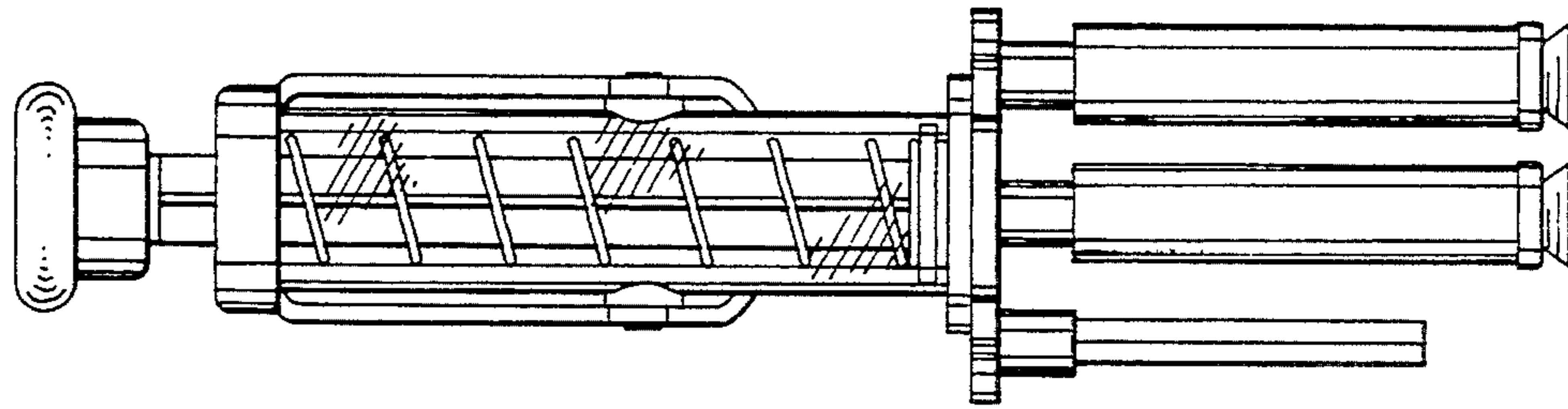


FIG. 4

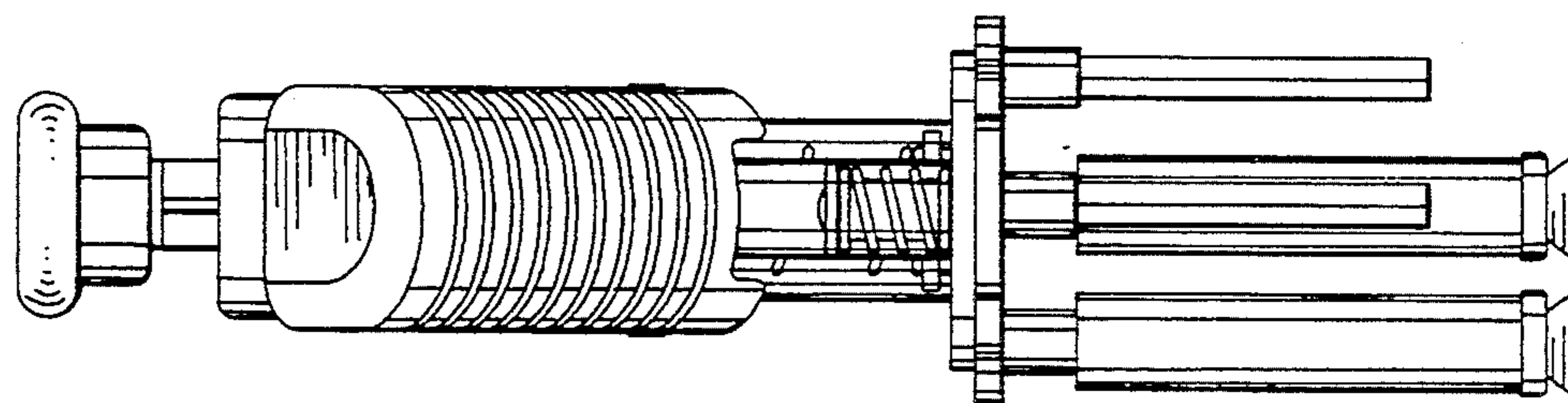


FIG. 5

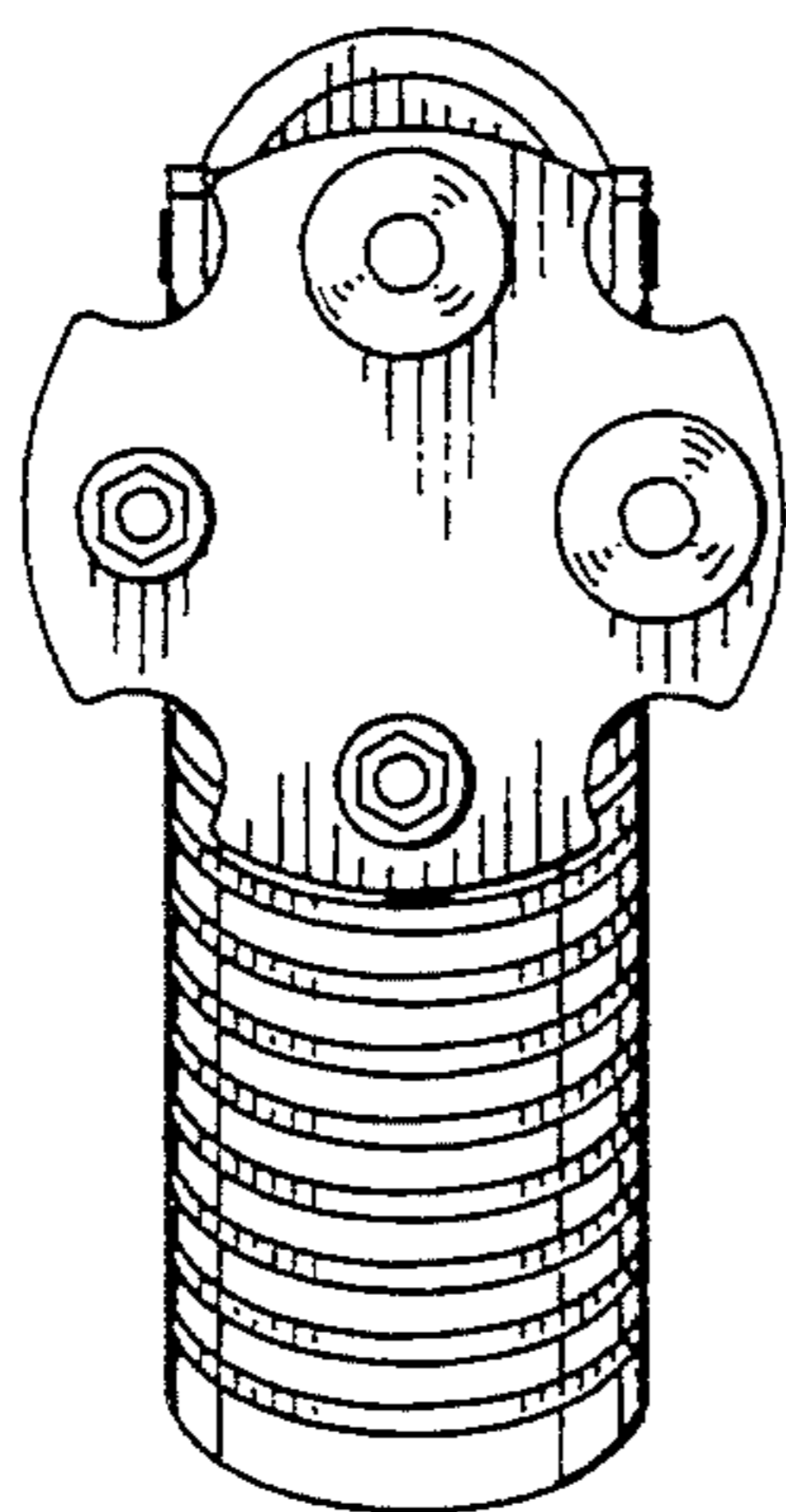


FIG. 6

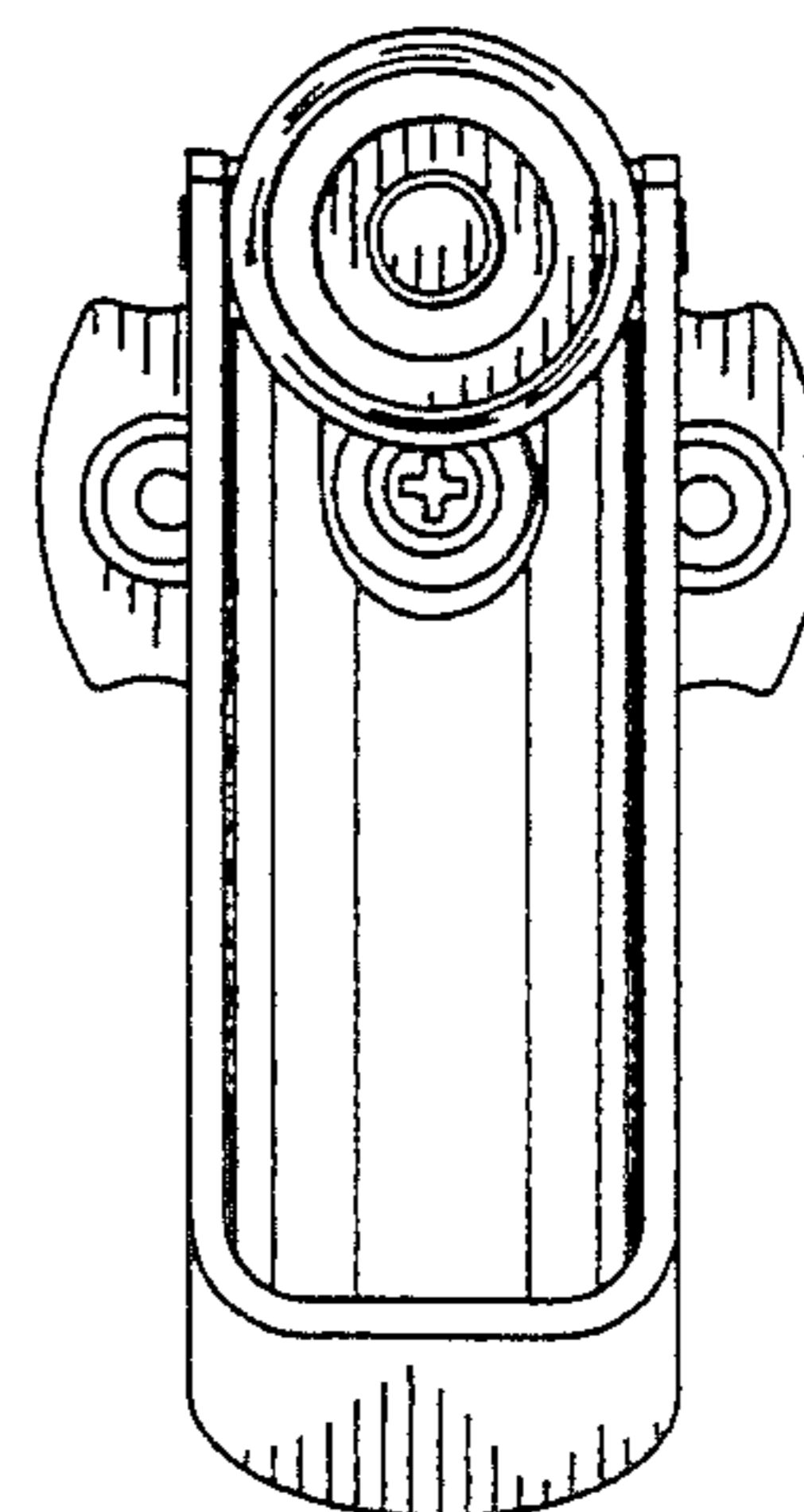


FIG. 7

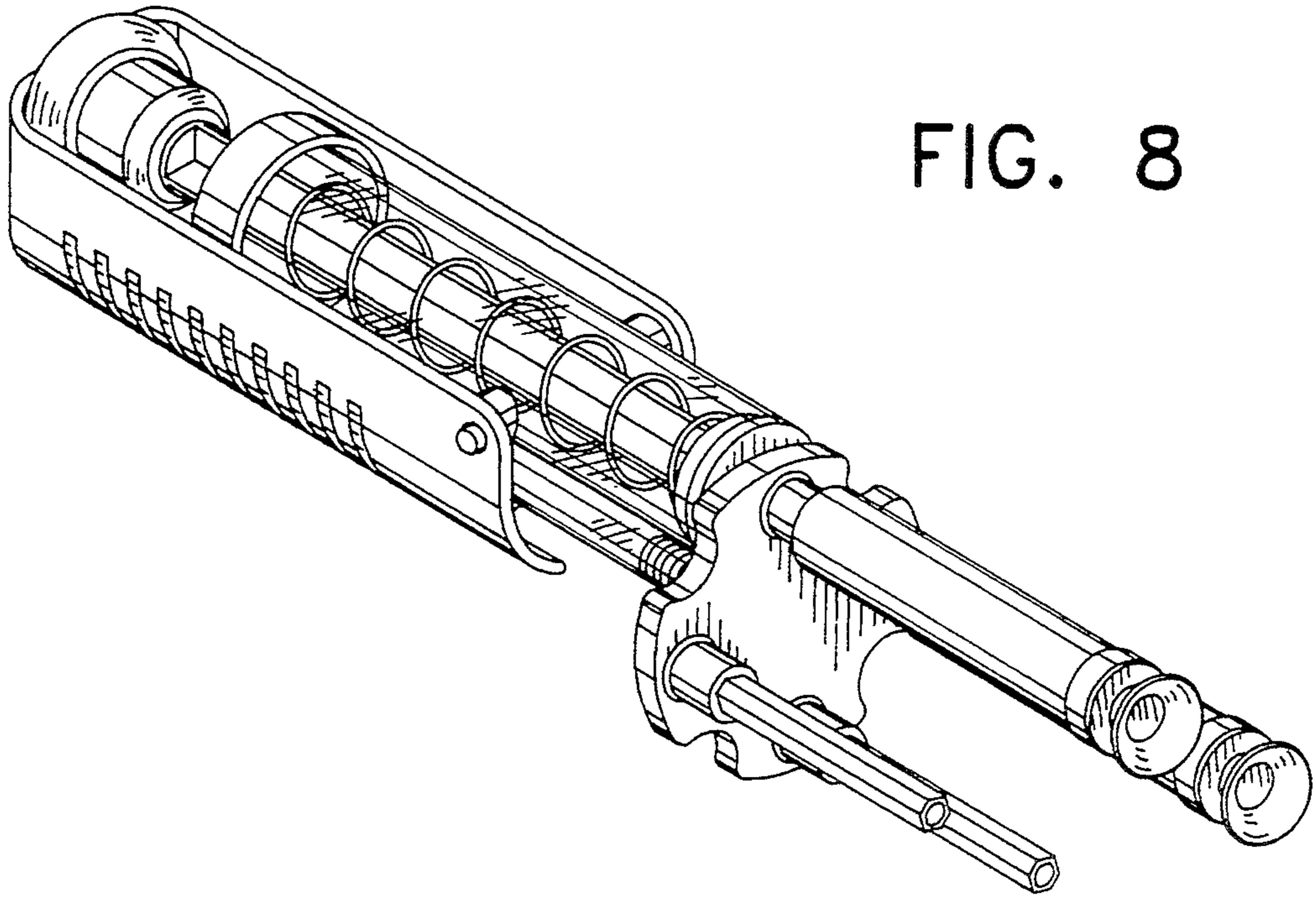


FIG. 8

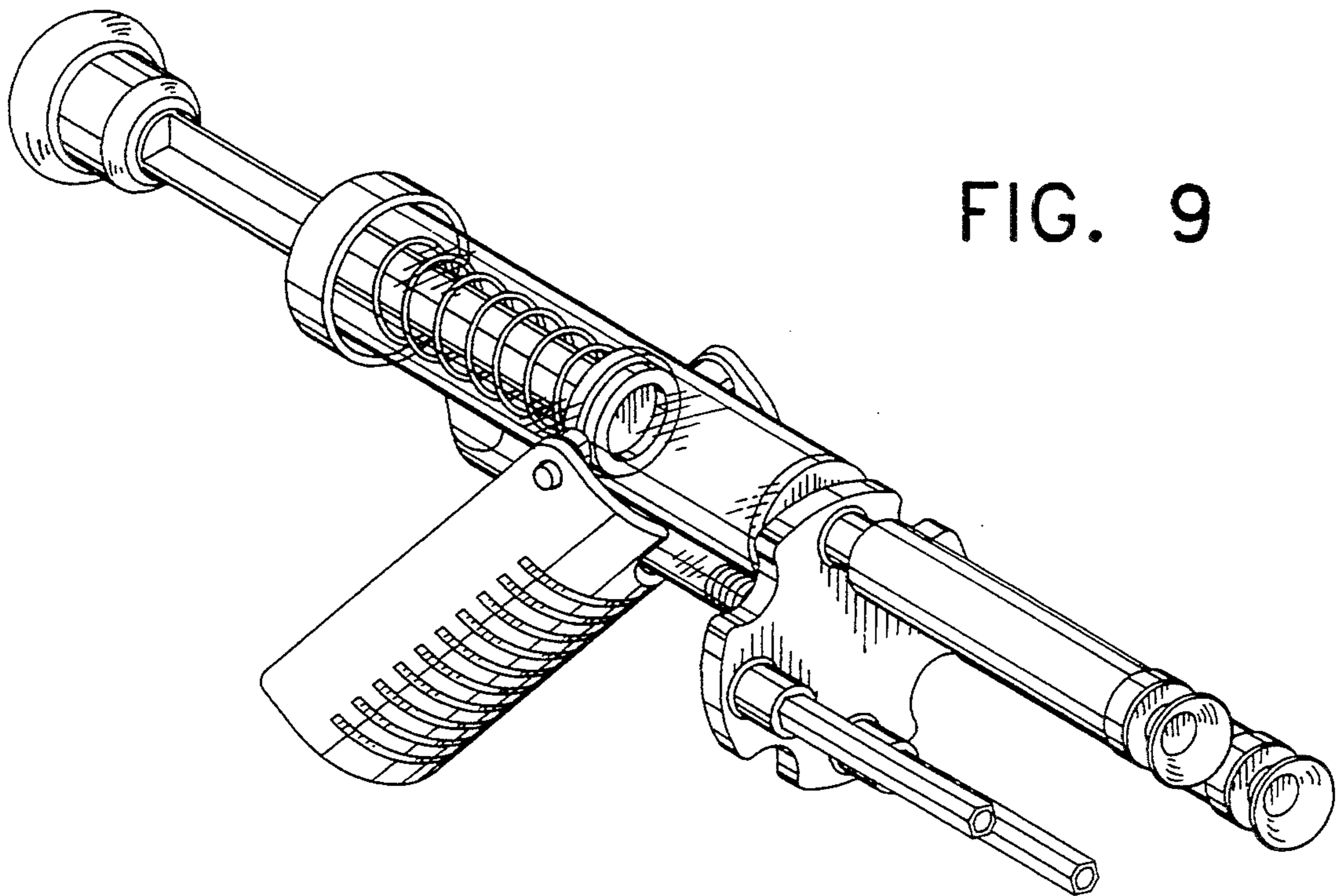


FIG. 9