



US00D361102S

United States Patent [19]

[11] Patent Number: **Des. 361,102**

Larsen

[45] Date of Patent: **** Aug. 8, 1995**

[54] **TOY WRENCH**

[75] Inventor: **Jorgen H. Larsen**, Store Heddinge, Denmark

[73] Assignee: **Interlego AG**, Baar, Switzerland

[**] Term: **14 Years**

[21] Appl. No.: **29,138**

[22] Filed: **Sep. 29, 1994**

[52] U.S. Cl. **D21/120**

[58] Field of Search **D21/120, 109, 59;**
D8/61, 1, 17, 21; 446/86, 144, 145, 166, 167,
168

[56] **References Cited**

U.S. PATENT DOCUMENTS

D. 338,816	8/1993	Maldonado	D8/21
D. 341,172	11/1993	Olsen	446/144
D. 344,551	2/1994	McJunkin	D21/59
2,161,163	6/1939	Hedgpeth	D8/21
3,039,340	6/1962	Livermont	D8/21
3,736,696	6/1973	Laird et al.	446/86

OTHER PUBLICATIONS

Fisher Price Catalog '92 p. 37 Wrench #7155.

Primary Examiner—Terry A. Wallace

Assistant Examiner—R. Barkai

Attorney, Agent, or Firm—Kane, Dalsimer, Sullivan, Kurucz, Levy, Eisele and Richard

[57] **CLAIM**

The ornamental design for a toy wrench, as shown and described.

DESCRIPTION

FIG. 1 is a top perspective view of the toy wrench, showing my new design;

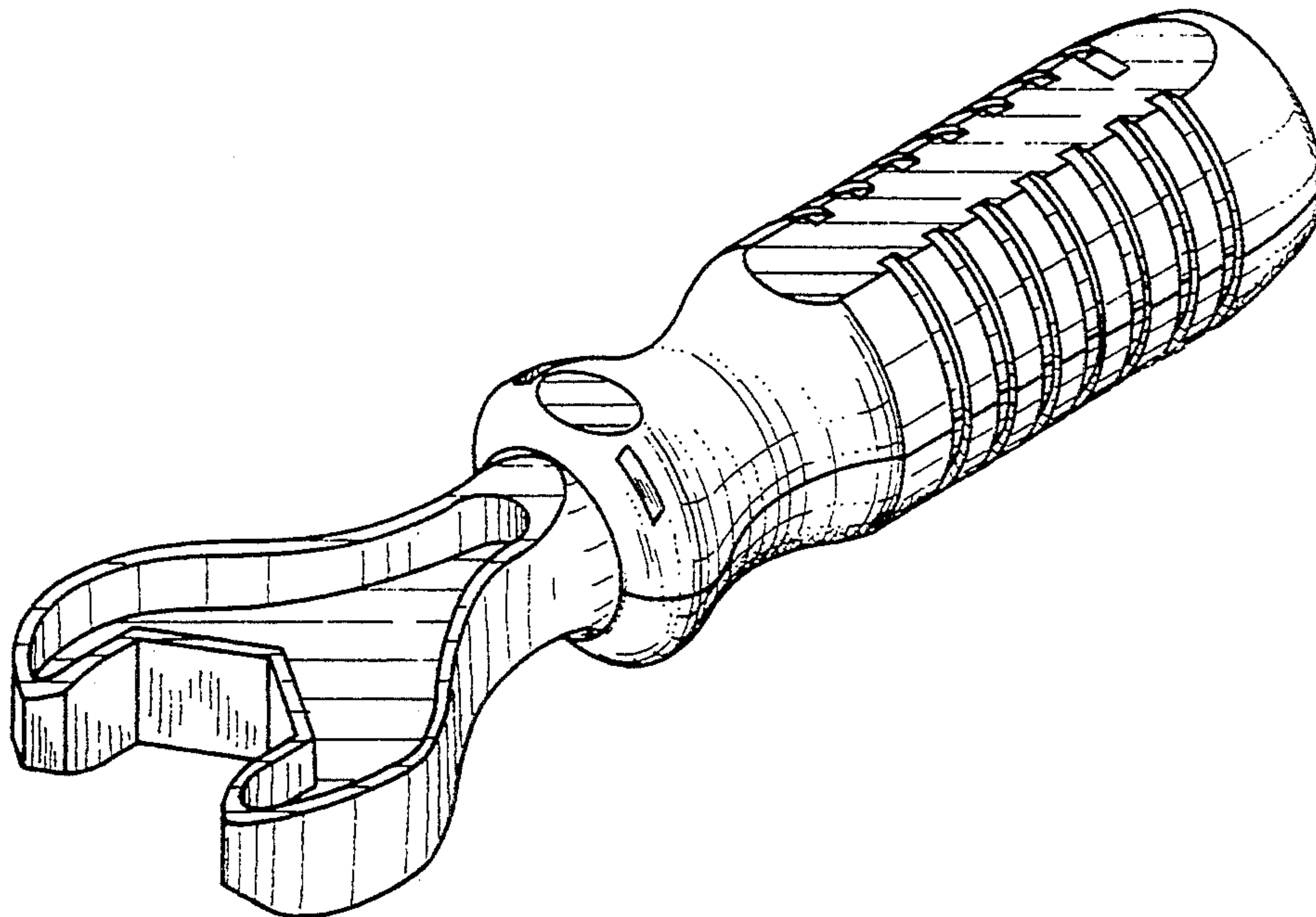
FIG. 2 is a bottom perspective view thereof;

FIG. 3 is a front elevational view thereof;

FIG. 4 is a bottom plan view thereof, the top plan view being identical;

FIG. 5 is a rear elevational view thereof; and,

FIG. 6 is a side plan view thereof the other side being identical.



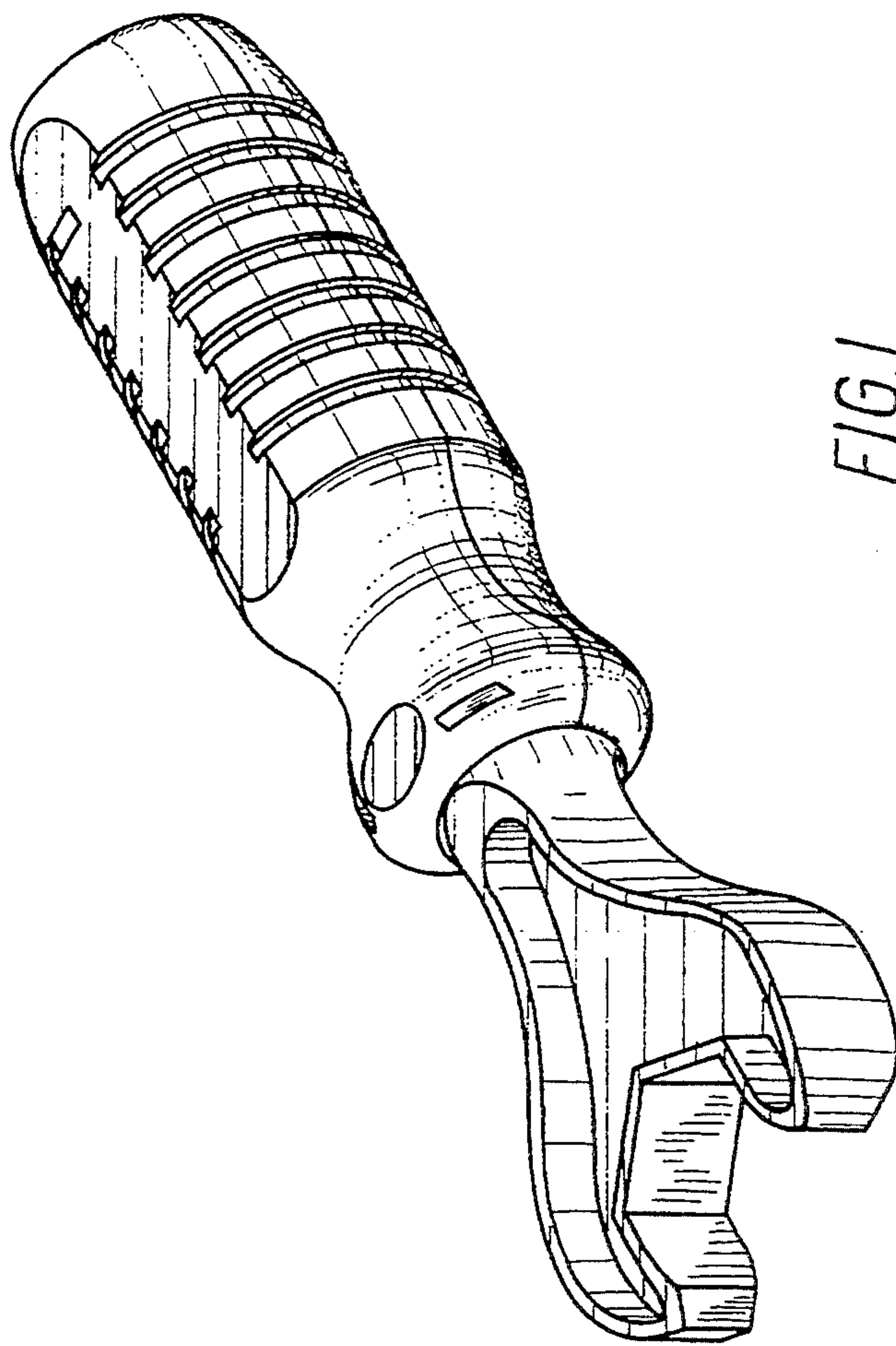


FIG. 1

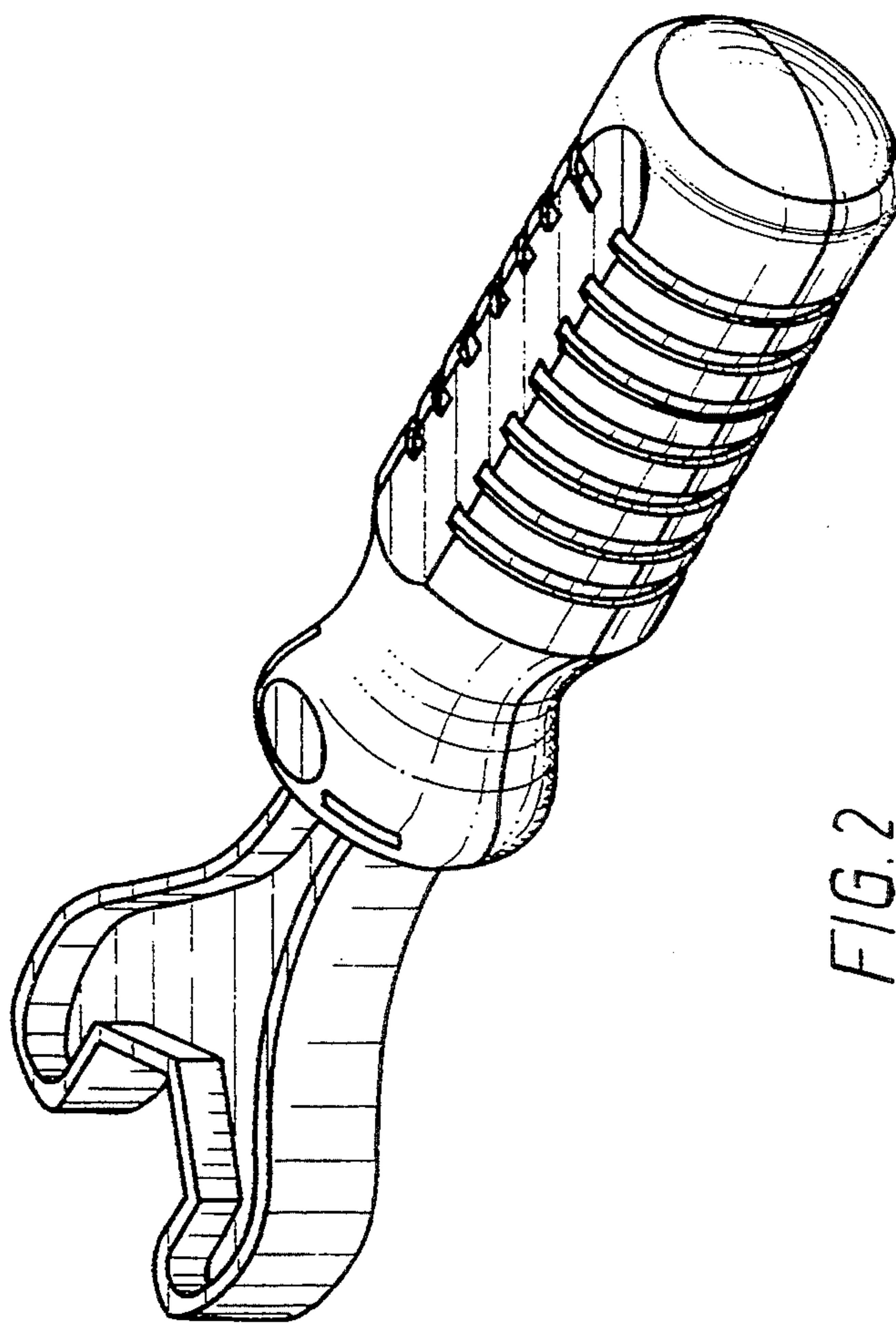


FIG. 2

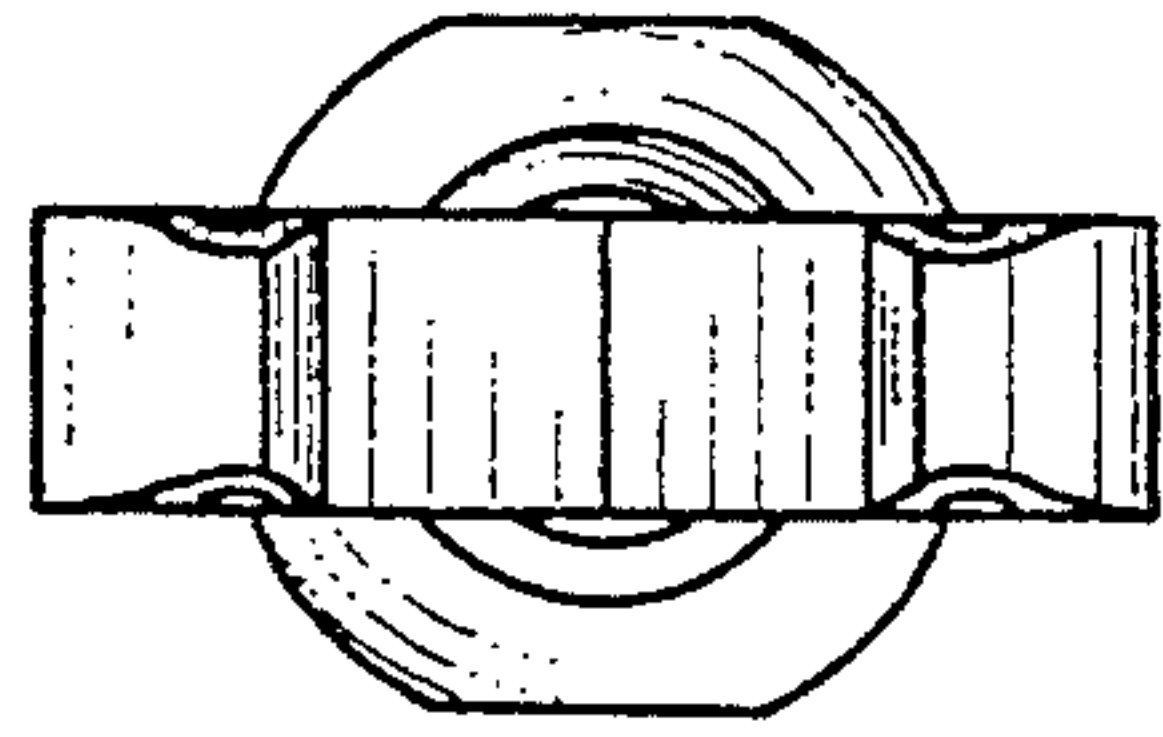


FIG. 3

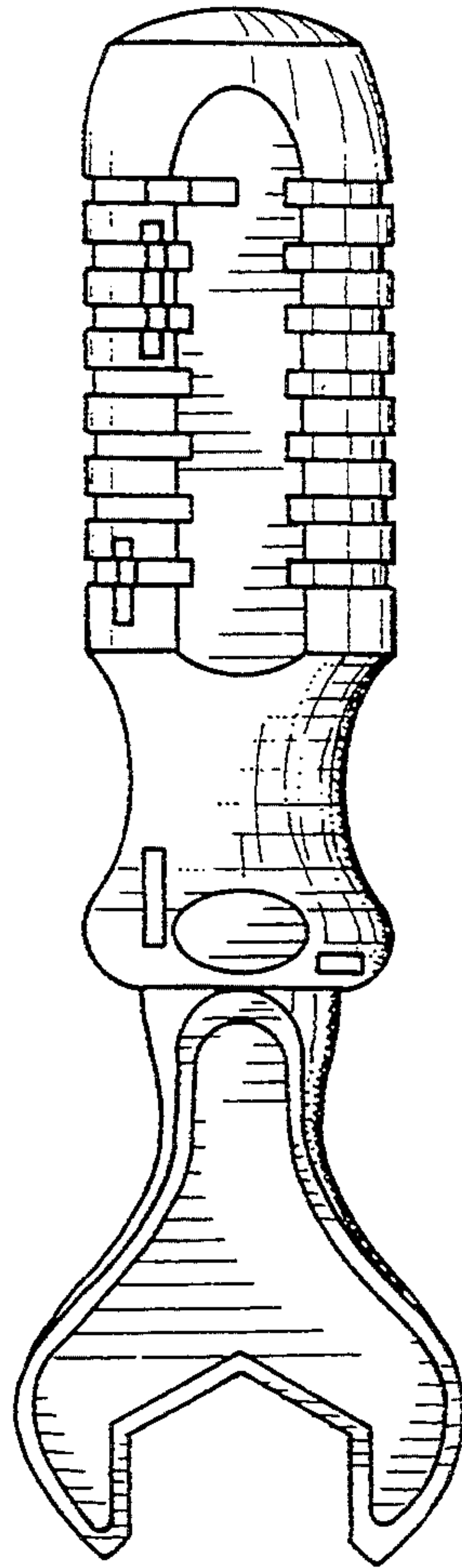


FIG. 4

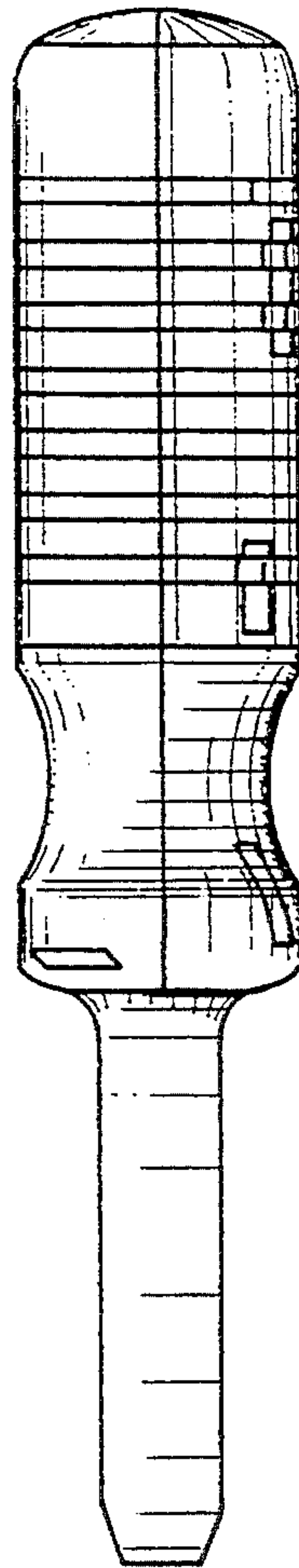


FIG. 6

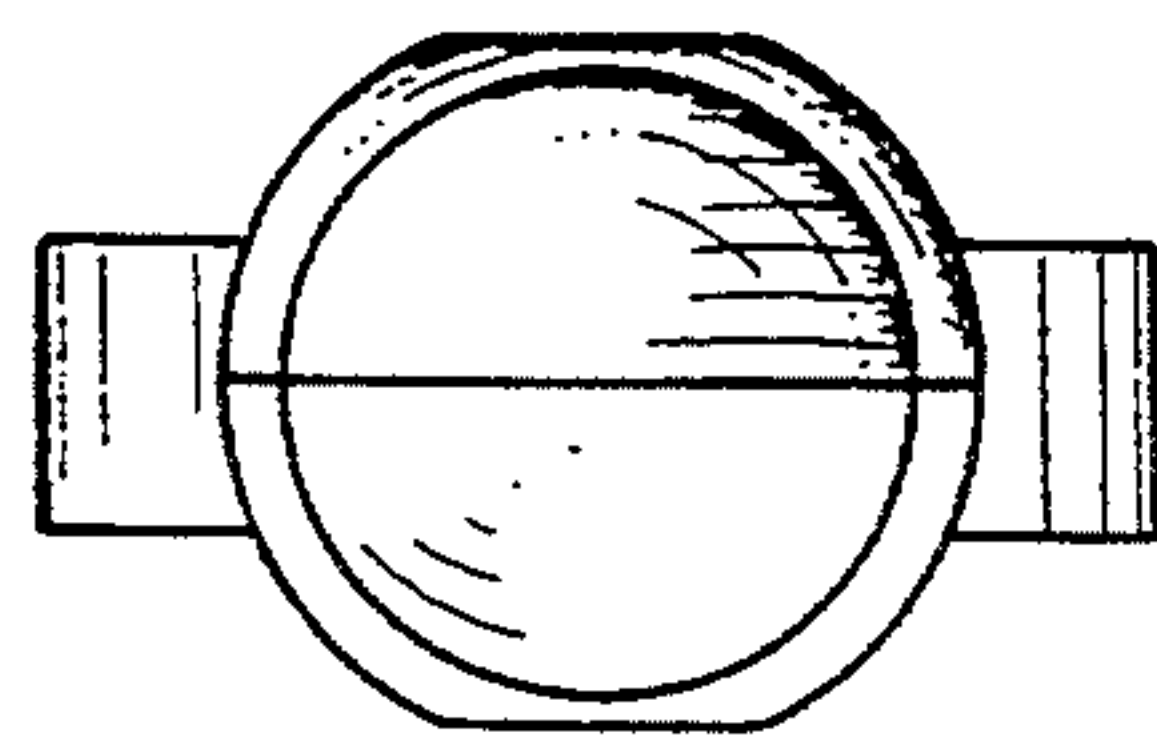


FIG. 5