



US00D361099S

United States Patent [19] Skov

[11] Patent Number: **Des. 361,099**

[45] Date of Patent: **** Aug. 8, 1995**

[54] TOY BUILDING ELEMENT

[75] Inventor: **Ib T. Skov**, Billund, Denmark

[73] Assignee: **Interlego AG**, Baar, Switzerland

[**] Term: **14 Years**

[21] Appl. No.: **29,102**

[22] Filed: **Sep. 29, 1994**

[52] U.S. Cl. **D21/108**

[58] Field of Search D21/108, 109, 114, 141;
D25/52, 58, 62, 63; 446/104, 110, 121, 128, 476,
479

D. 332,641 1/1993 Skov D21/108
 D. 353,629 12/1994 Skov D21/108
 D. 354,529 1/1995 Skov D21/108

Primary Examiner—Theodore M. Shooman
Assistant Examiner—R. Barkai
Attorney, Agent, or Firm—Kane, Dalsimer, Sullivan,
 Kurucz, Levy, Eisele and Richard

[57] CLAIM

The ornamental design for a toy building element, as shown and described.

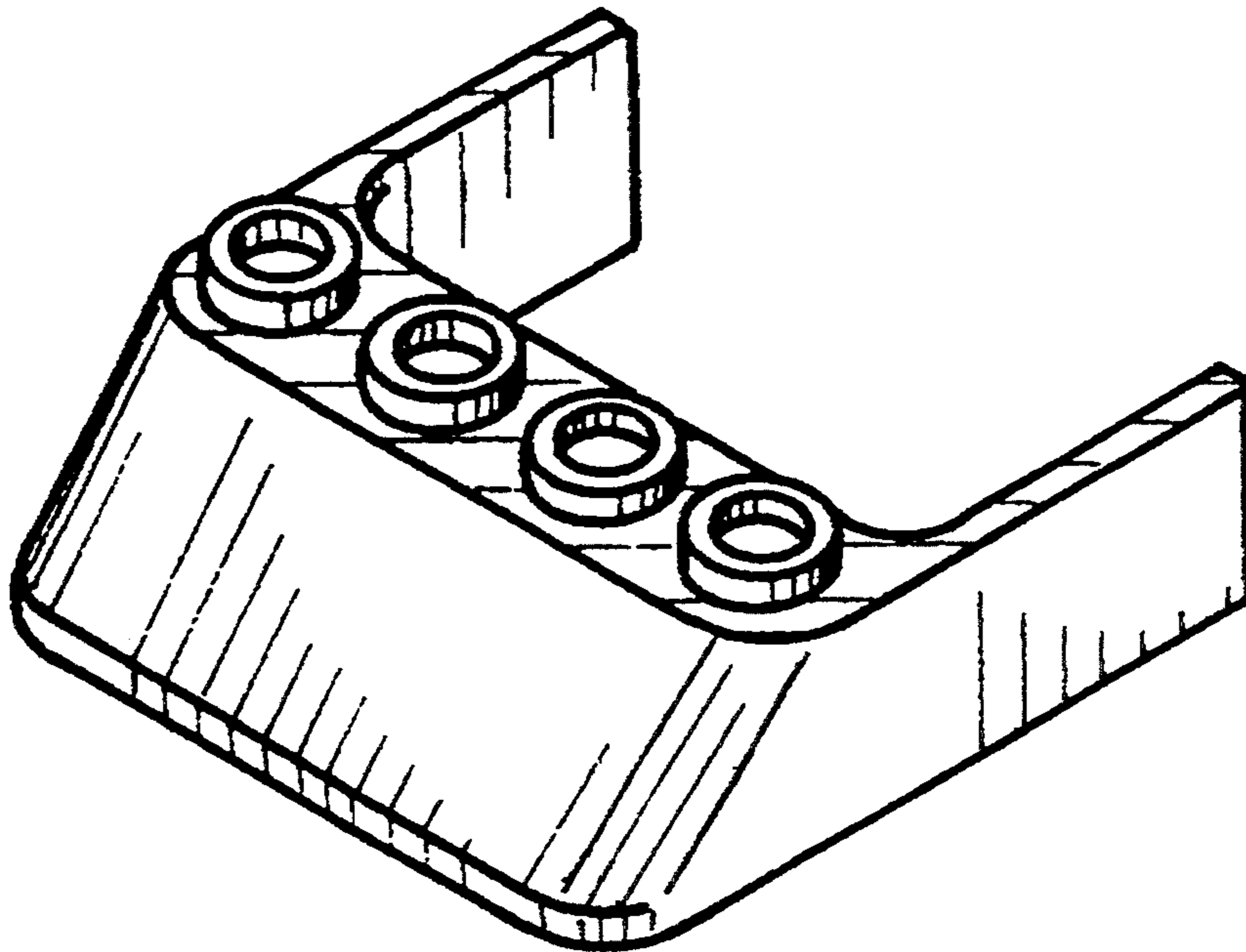
DESCRIPTION

FIG. 1 is a top perspective view of the toy building element showing my new design;
 FIG. 2 is a bottom perspective view thereof;
 FIG. 3 is a front elevational view thereof;
 FIG. 4 is a left side elevational view thereof, the right side being identical;
 FIG. 5 is a rear side elevational view thereof;
 FIG. 6 is a bottom plan view thereof; and,
 FIG. 7 is a top plan view thereof.

[56] References Cited

U.S. PATENT DOCUMENTS

D. 318,077 7/1991 Larsen et al. D21/108
 D. 328,928 8/1992 Jarnros D21/108
 D. 328,930 8/1992 Jarnros D21/108
 D. 330,056 10/1992 Pagel D21/108
 D. 331,432 12/1992 Jarnros D21/108



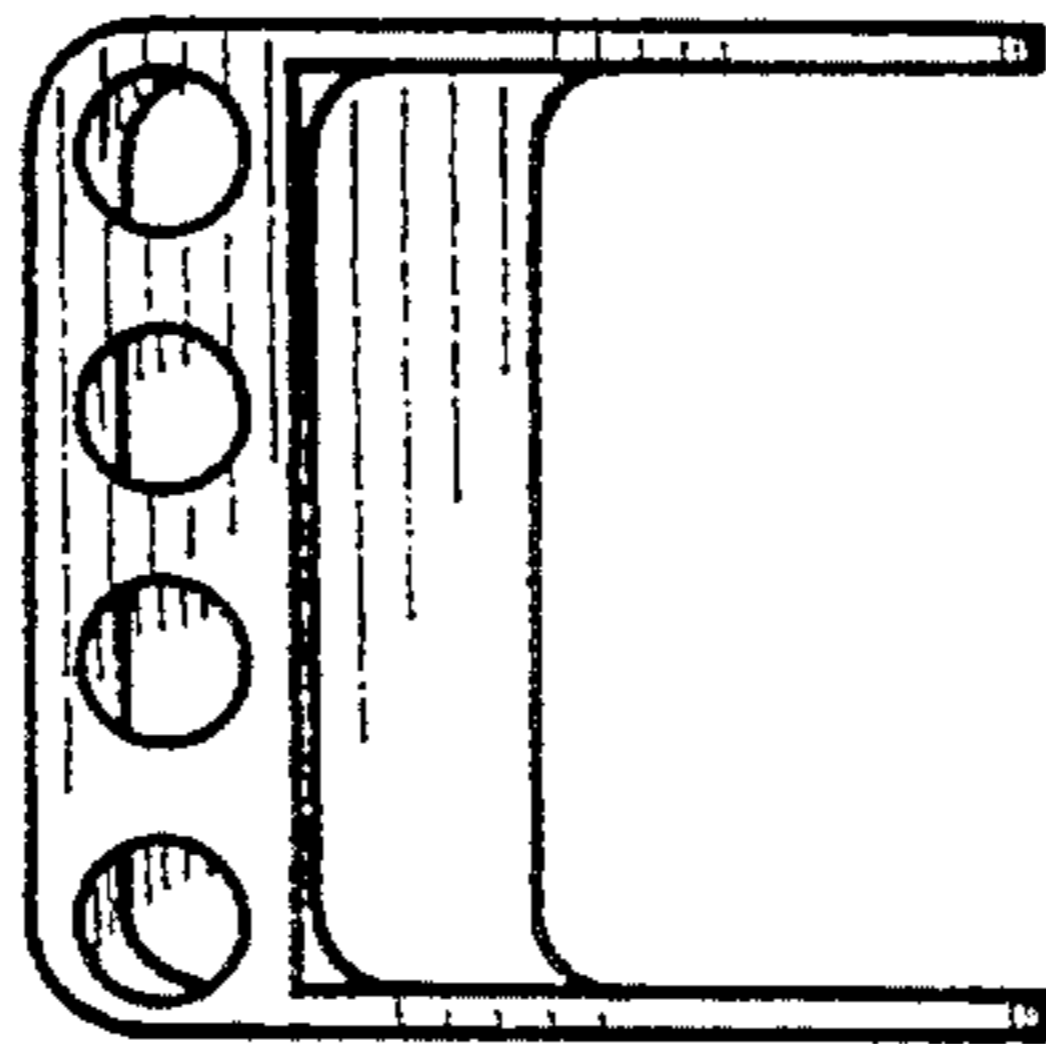


FIG. 6

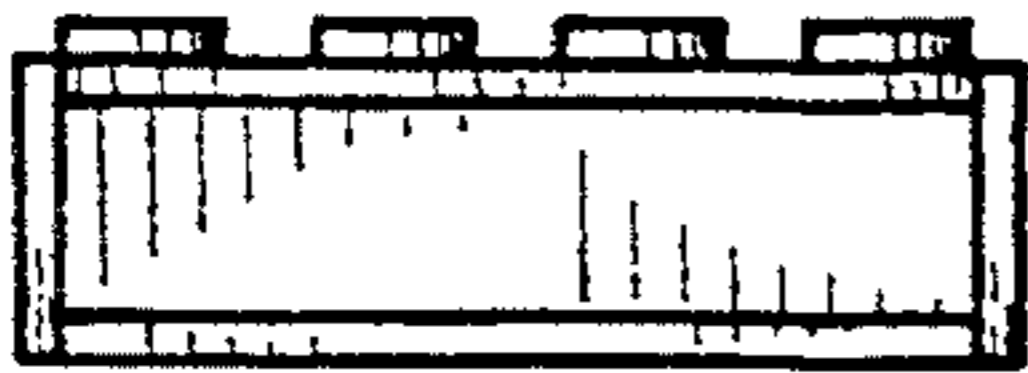


FIG. 5

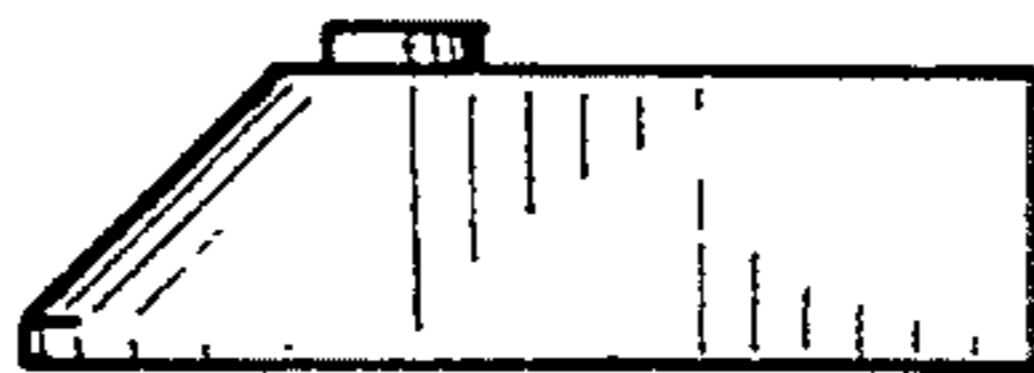


FIG. 4

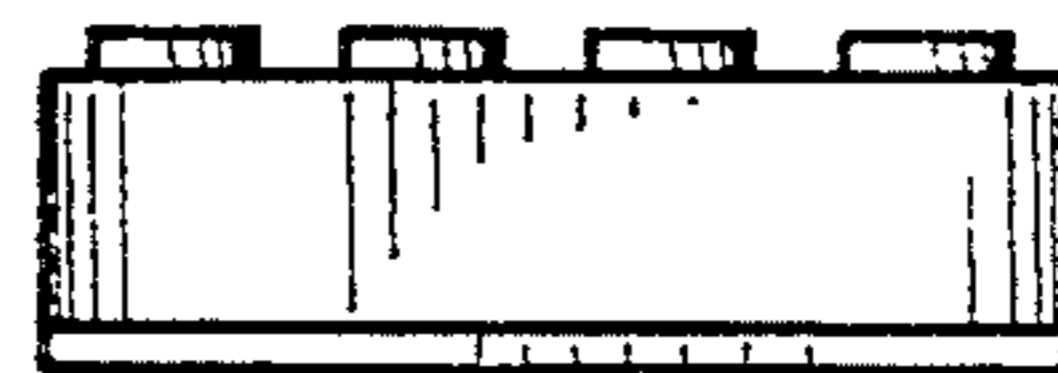


FIG. 3

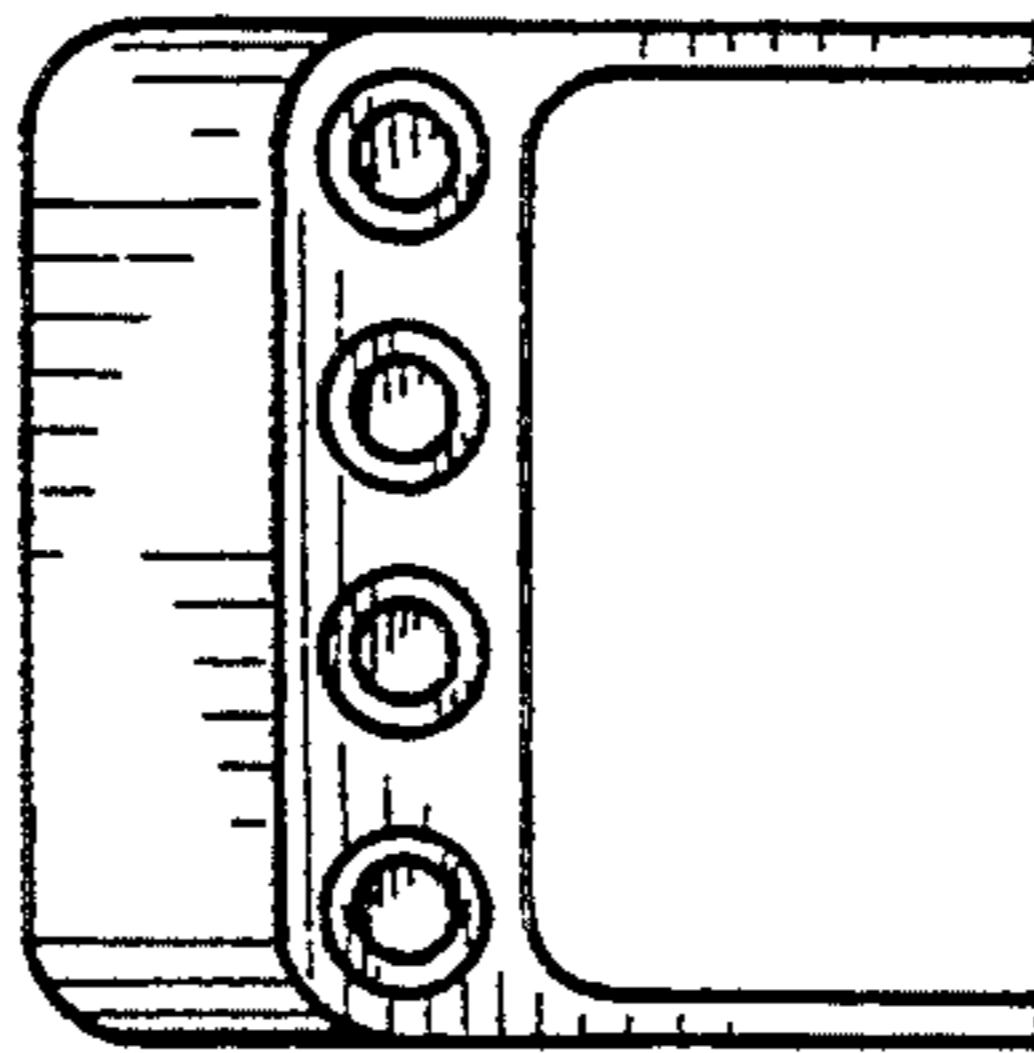


FIG. 7

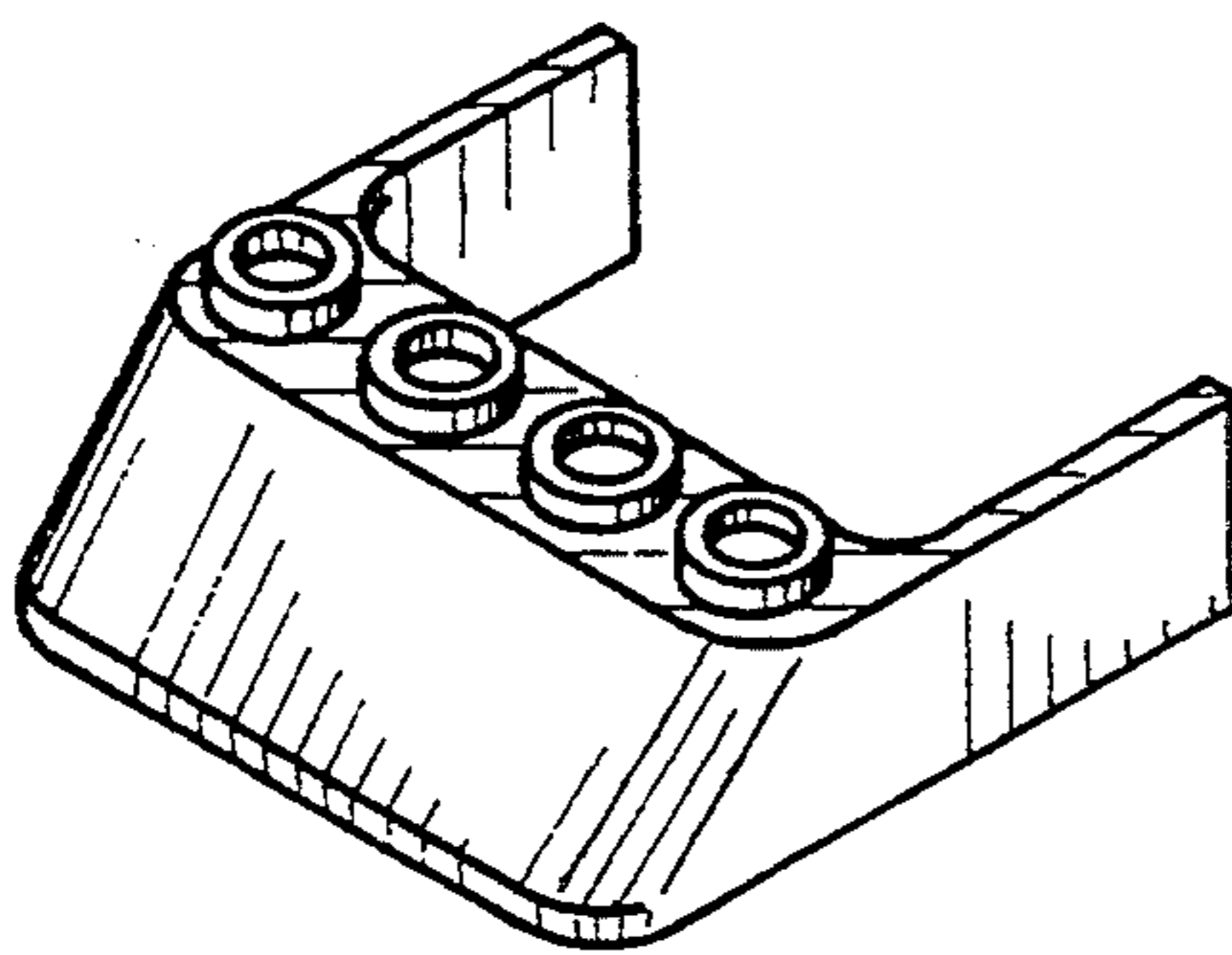


FIG. 1

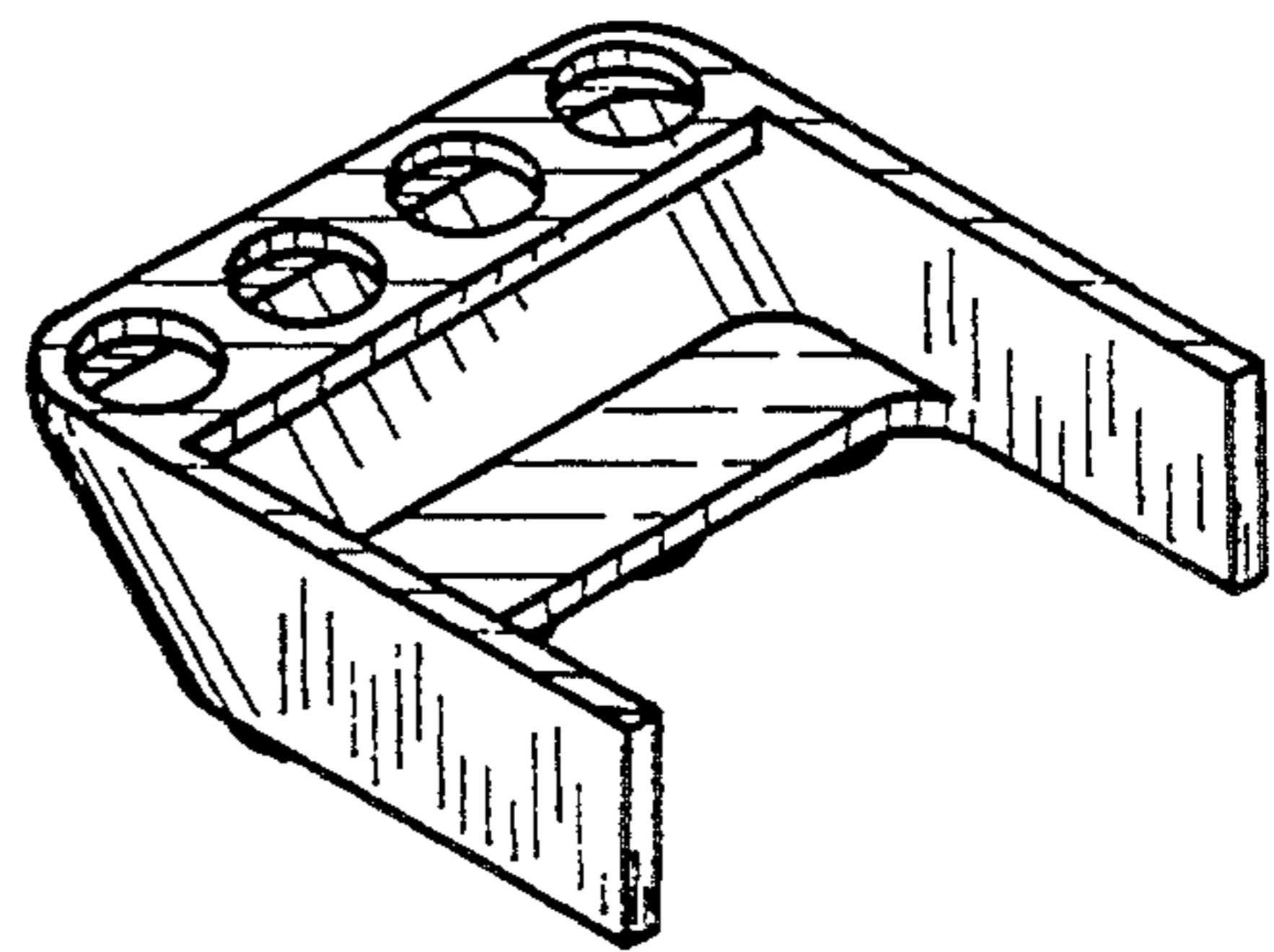


FIG. 2