



US00D361096S

# United States Patent [19]

[11] Patent Number: **Des. 361,096**

**Shenk et al.**

[45] Date of Patent: **\*\* Aug. 8, 1995**

[54] **DICE TUMBLER**

[75] Inventors: **Glenn P. Shenk**, 5222 La Luna, La Palma, Calif. 90623; **Thomas L. Starbard**, Redlands, Calif.

[73] Assignee: **Glenn P. Shenk**, La Palma, Calif.

[\*\*] Term: **14 Years**

[21] Appl. No.: **24,425**

[22] Filed: **Jun. 14, 1994**

[52] U.S. Cl. .... **D21/41**

[58] Field of Search ..... **D21/39, 41; 273/145 A, 273/145 B, 146, 268**

[56] **References Cited**

**U.S. PATENT DOCUMENTS**

D. 102,025 11/1936 Coles ..... **D21/41**

**FOREIGN PATENT DOCUMENTS**

561934 8/1958 Canada ..... 273/145 B  
2228206 8/1990 United Kingdom ..... 273/146

*Primary Examiner*—Terry A. Wallace  
*Attorney, Agent, or Firm*—Roy A. Ekstrand

[57] **CLAIM**

The ornamental design for a dice tumbler, as shown and described.

**DESCRIPTION**

FIG. 1 is a top plan view of a dice tumbler showing our new design;

FIG. 2 is a bottom view thereof;

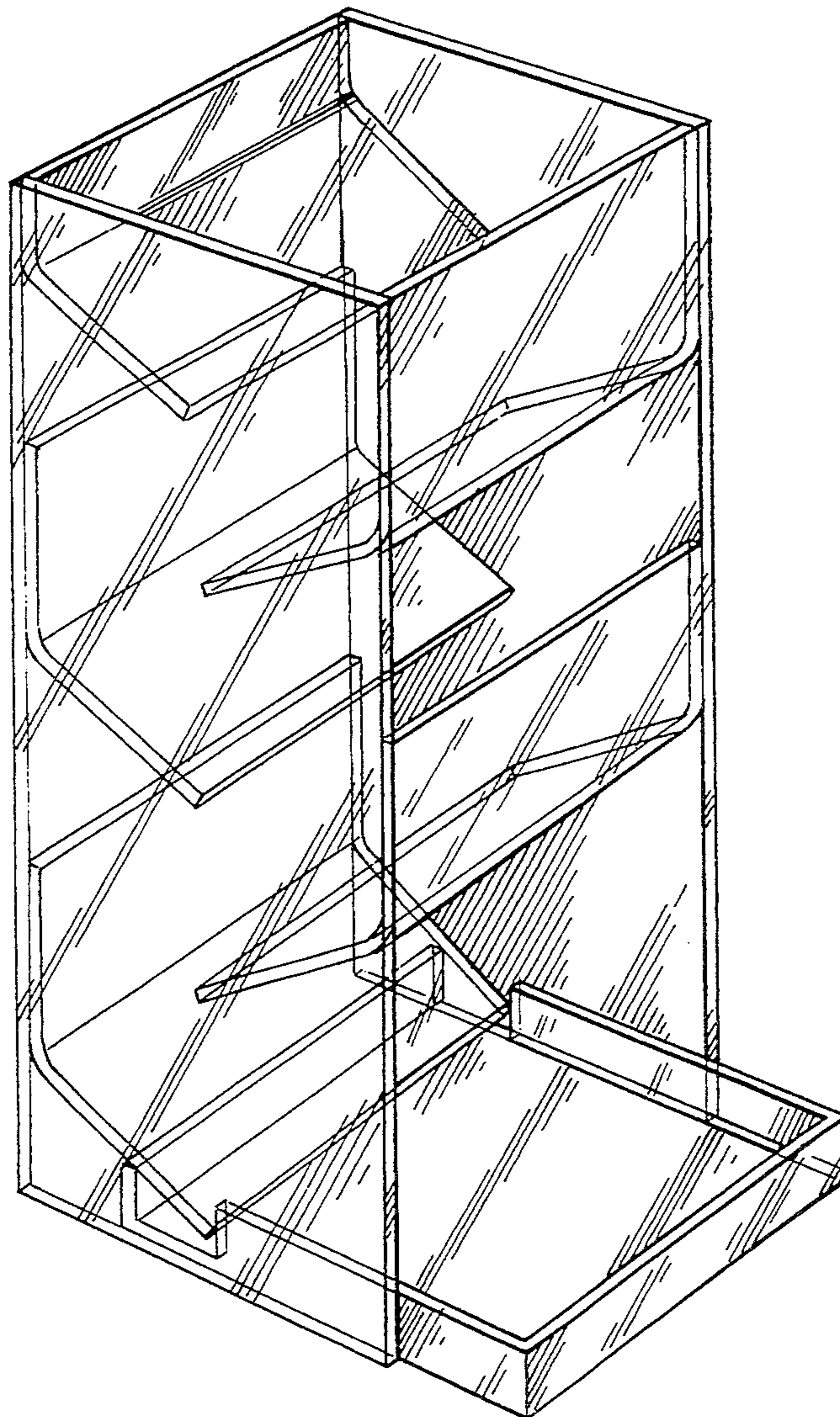
FIG. 3 is a left side view thereof;

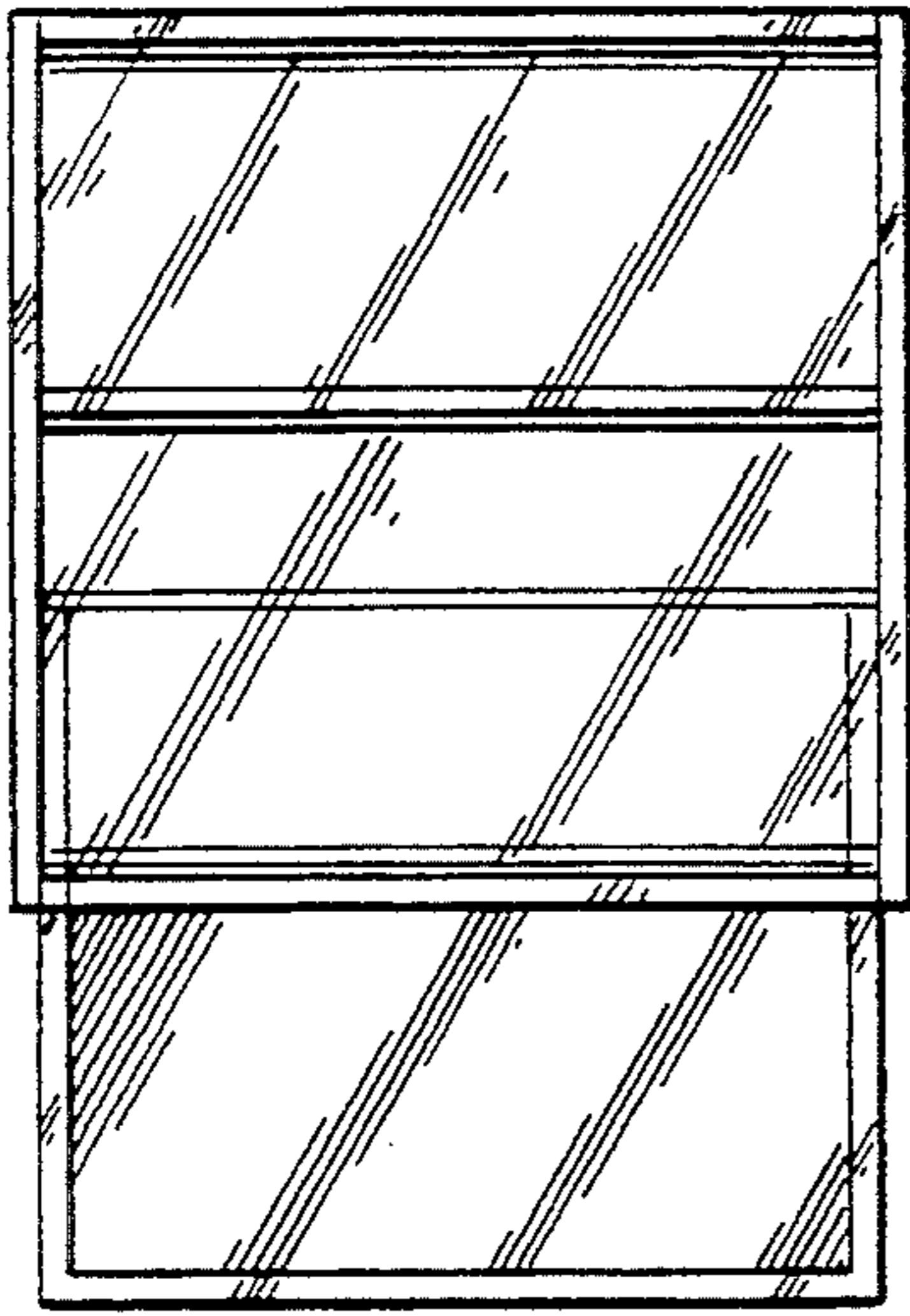
FIG. 4 is a front view thereof;

FIG. 5 is a rear view thereof;

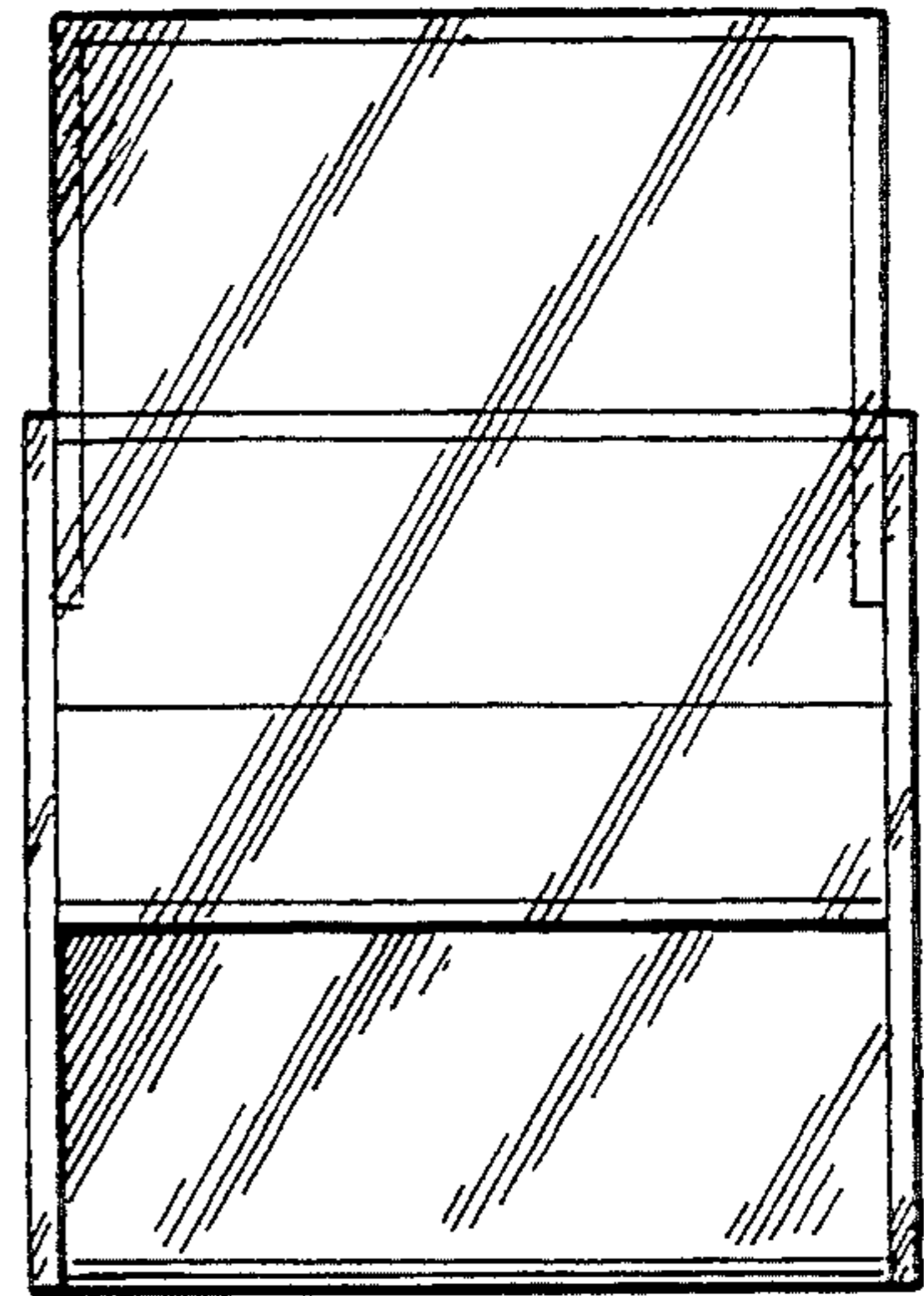
FIG. 6 is a right side view thereof; and,

FIG. 7 is a perspective view thereof.

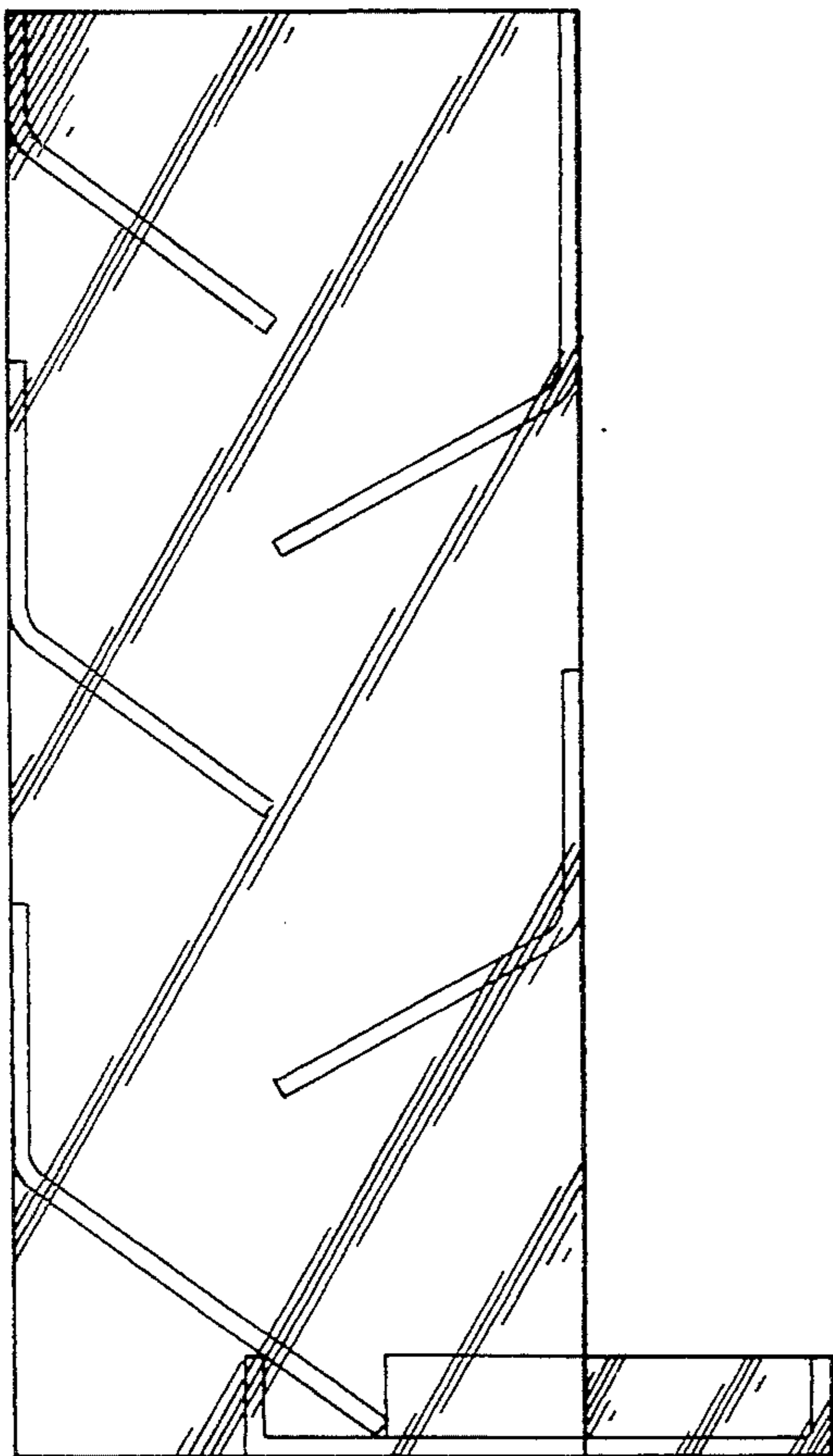




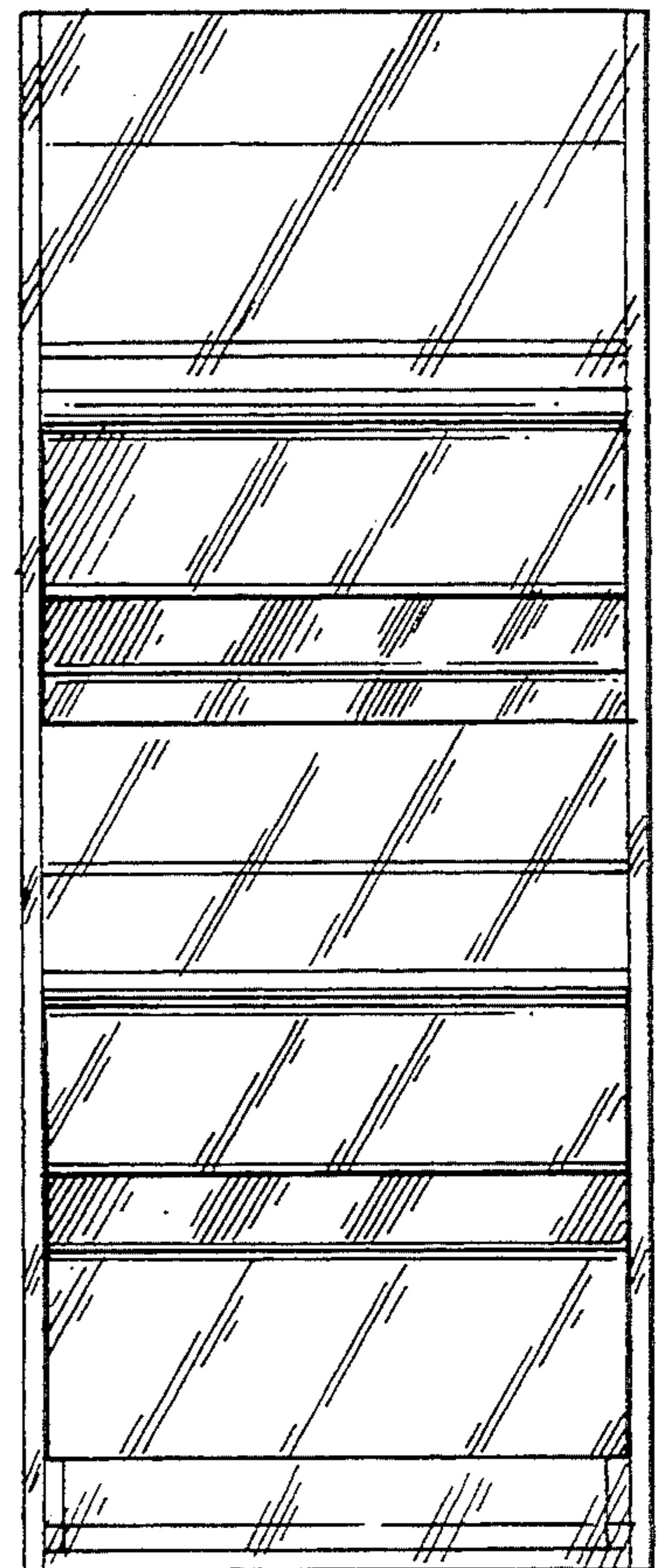
*FIG. 1*



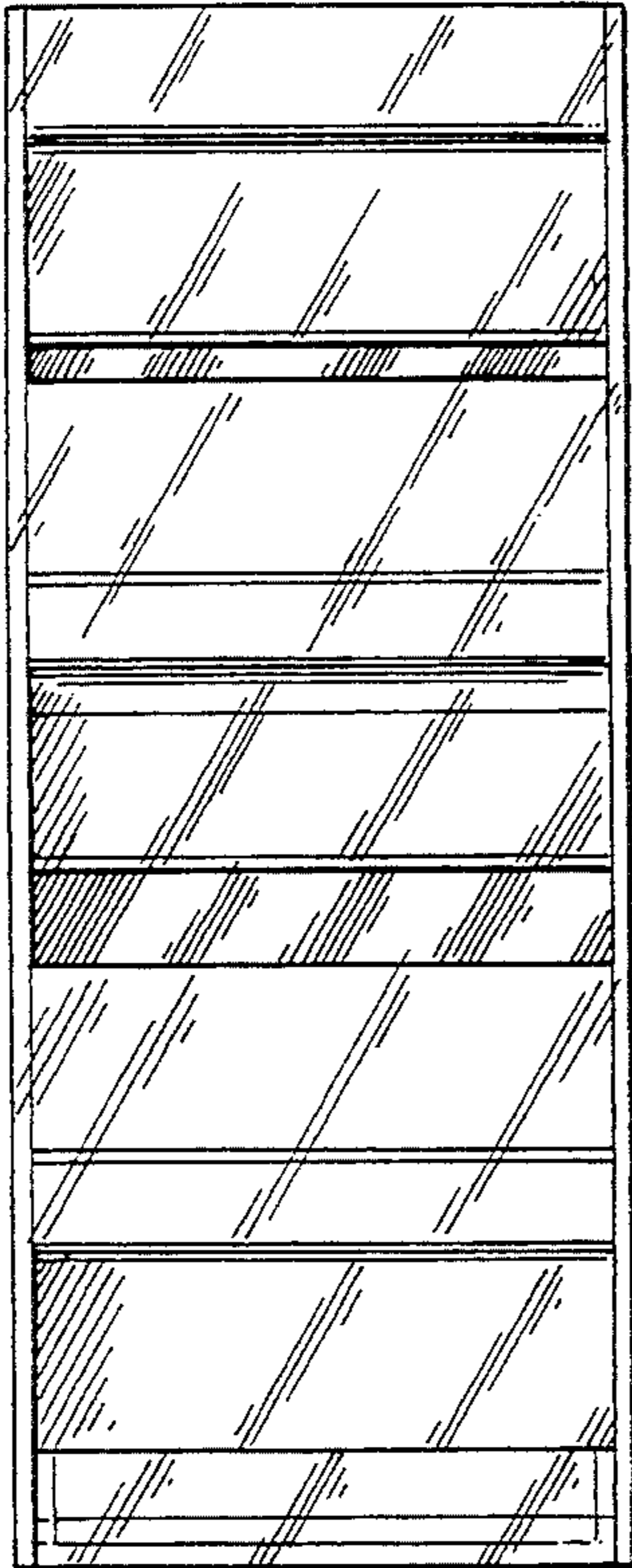
*FIG. 2*



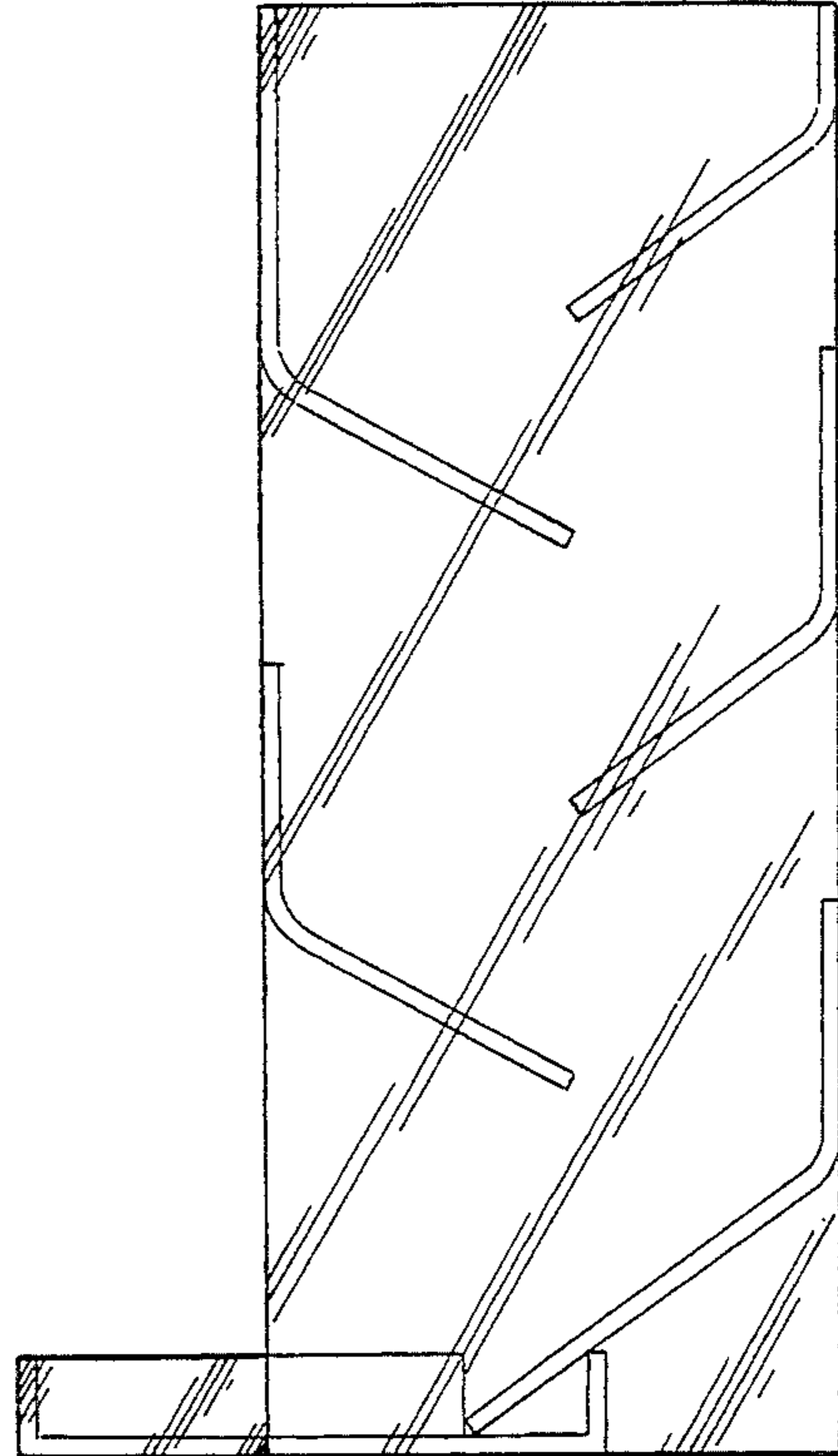
*FIG. 3*



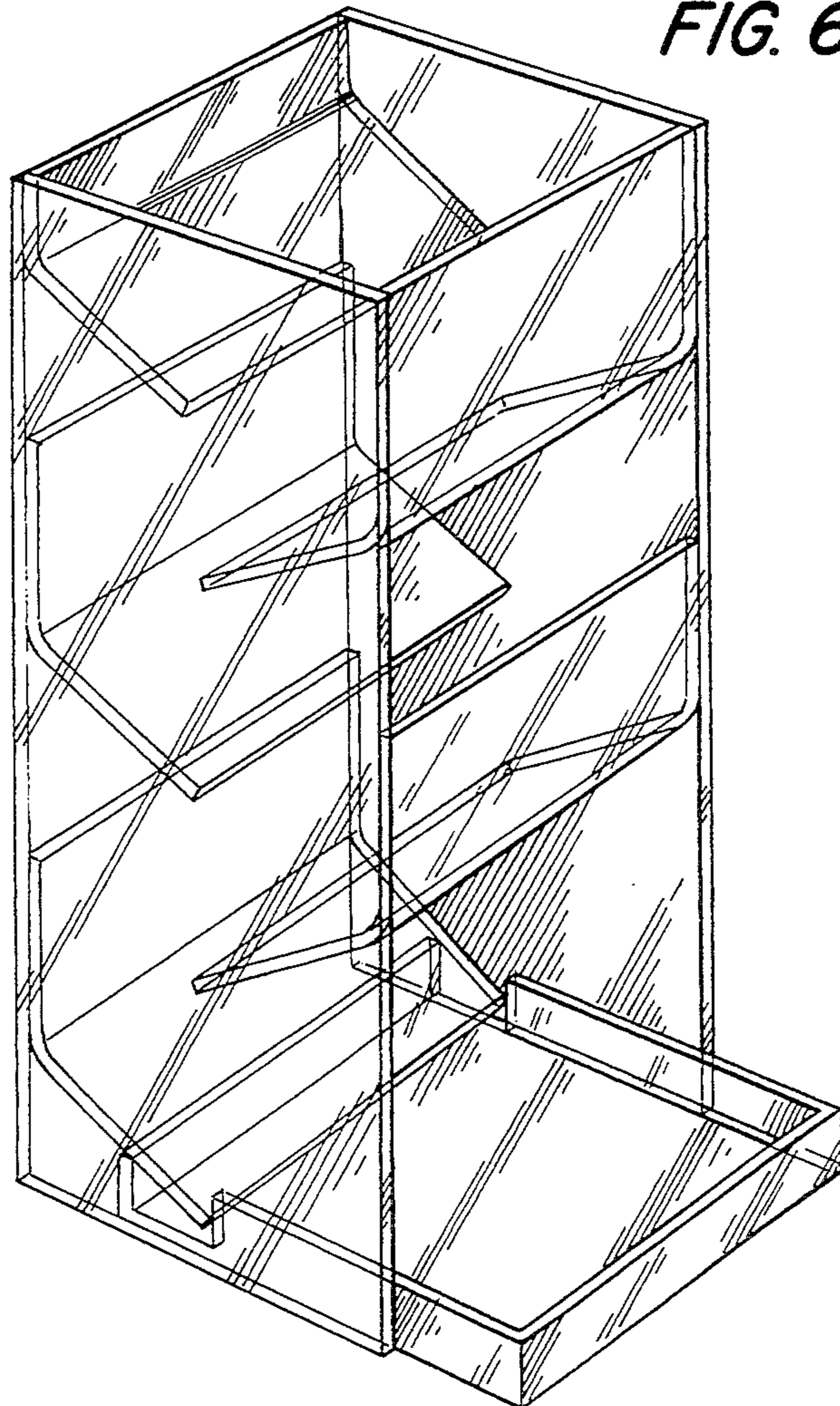
*FIG. 4*



**FIG. 5**



**FIG. 6**



**FIG. 7**