



US00D361092S

United States Patent [19]

[11] Patent Number: **Des. 361,092**

Batson

[45] Date of Patent: **** Aug. 8, 1995**

[54] **BOOK HOLDER**

[76] Inventor: **Jay D. Batson**, 1849 E. Rhea Rd.,
Tempe, Ariz. 85284

[**] Term: **14 Years**

[21] Appl. No.: **6,218**

[22] Filed: **Mar. 19, 1993**

[52] U.S. Cl. **D19/91; D19/88;**
D19/65; D8/395

[58] Field of Search **D19/65, 75, 86, 88,**
D19/90, 91, 99, 100; D8/395; 24/67.5, 459,
530, 565; 248/441.1, 444.1, 445, 446, 450, 451,
453; 281/45, 51

[56] **References Cited**

U.S. PATENT DOCUMENTS

- D. 287,914 1/1987 Woolf D19/91
- D. 292,249 10/1987 Stade D19/91 X
- 953,409 3/1910 Connies 281/42

- 4,145,022 3/1979 Comfort 248/451 X
- 4,512,603 4/1985 Williams 248/451 X
- 4,593,934 6/1986 Lehman 281/45
- 4,620,687 11/1986 Bishop 248/447.2
- 5,069,409 12/1991 Batson 248/451
- 5,165,648 11/1992 Quigley 248/444 X

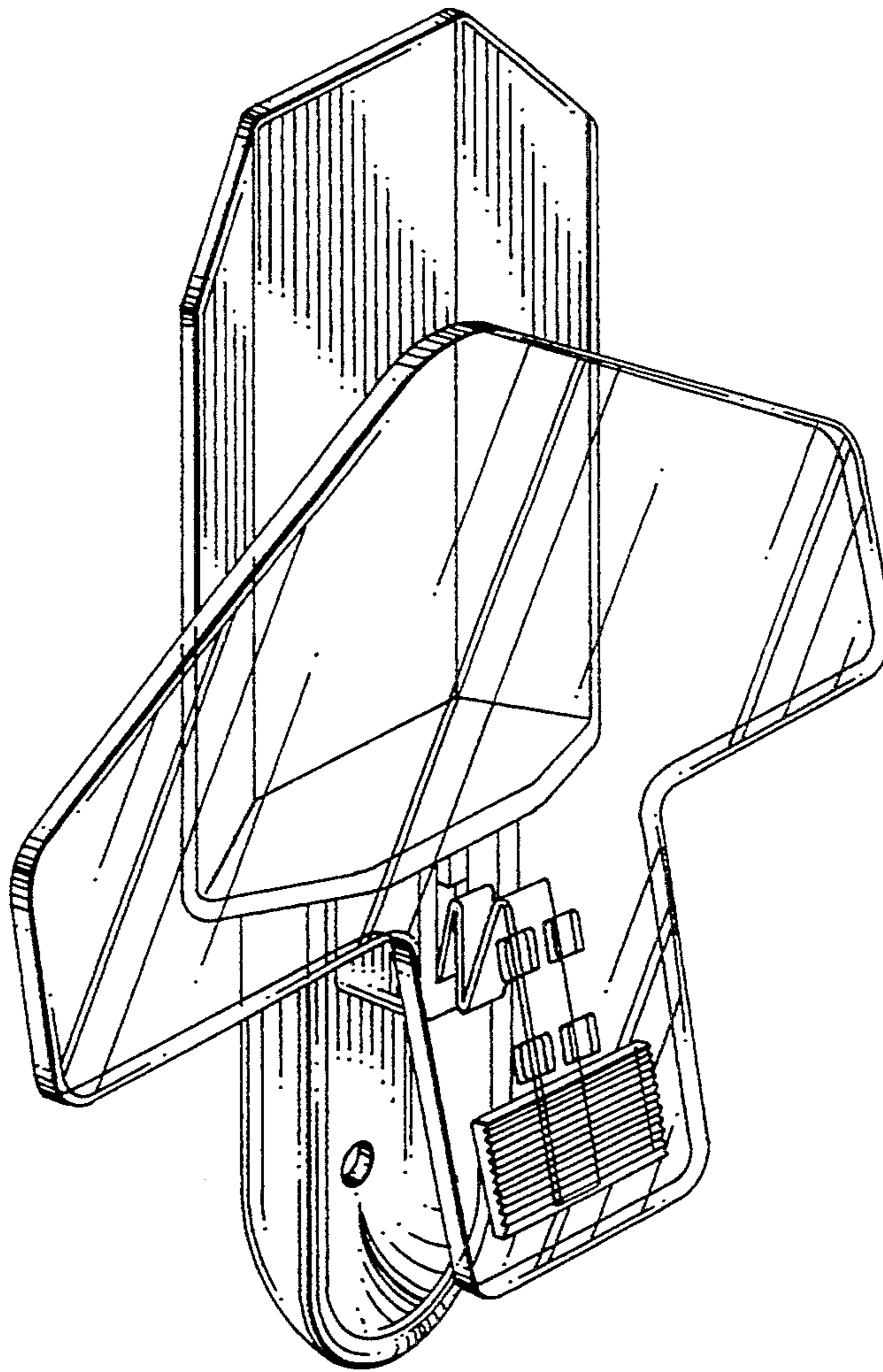
Primary Examiner—Martie Thompson
Attorney, Agent, or Firm—Warren F. B. Lindsley

[57] **CLAIM**

The ornamental design for a book holder, as shown and described.

DESCRIPTION

FIG. 1 is a top, left front perspective view of a book holder showing my new design; FIG. 2 is a front elevational view; FIG. 3 is a rear elevational view; FIG. 4 is a right side elevational view; FIG. 5 is a left side elevational view; FIG. 6 is a bottom plan view; and, FIG. 7 is a top plan view thereof.



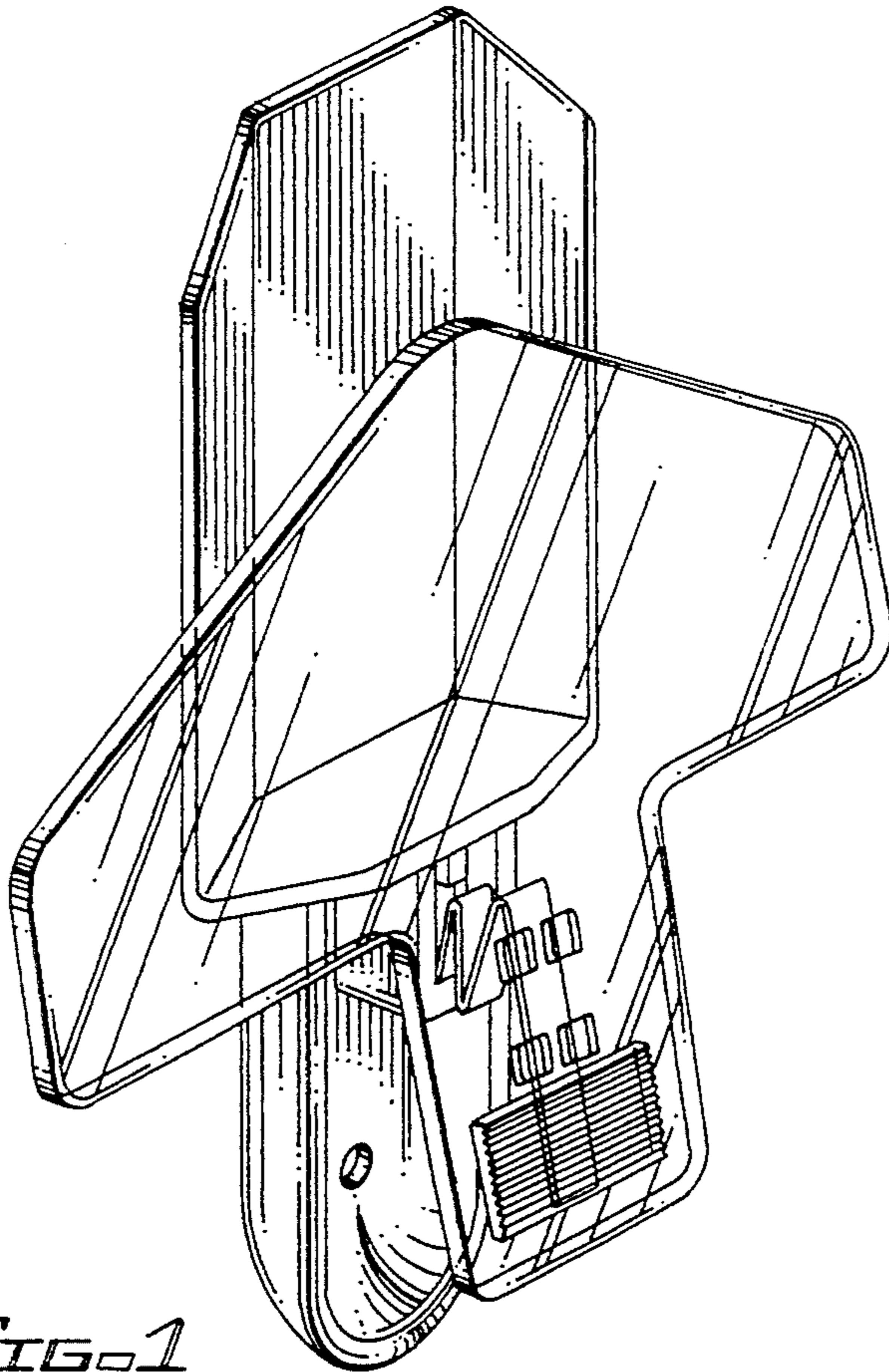


FIG. 1

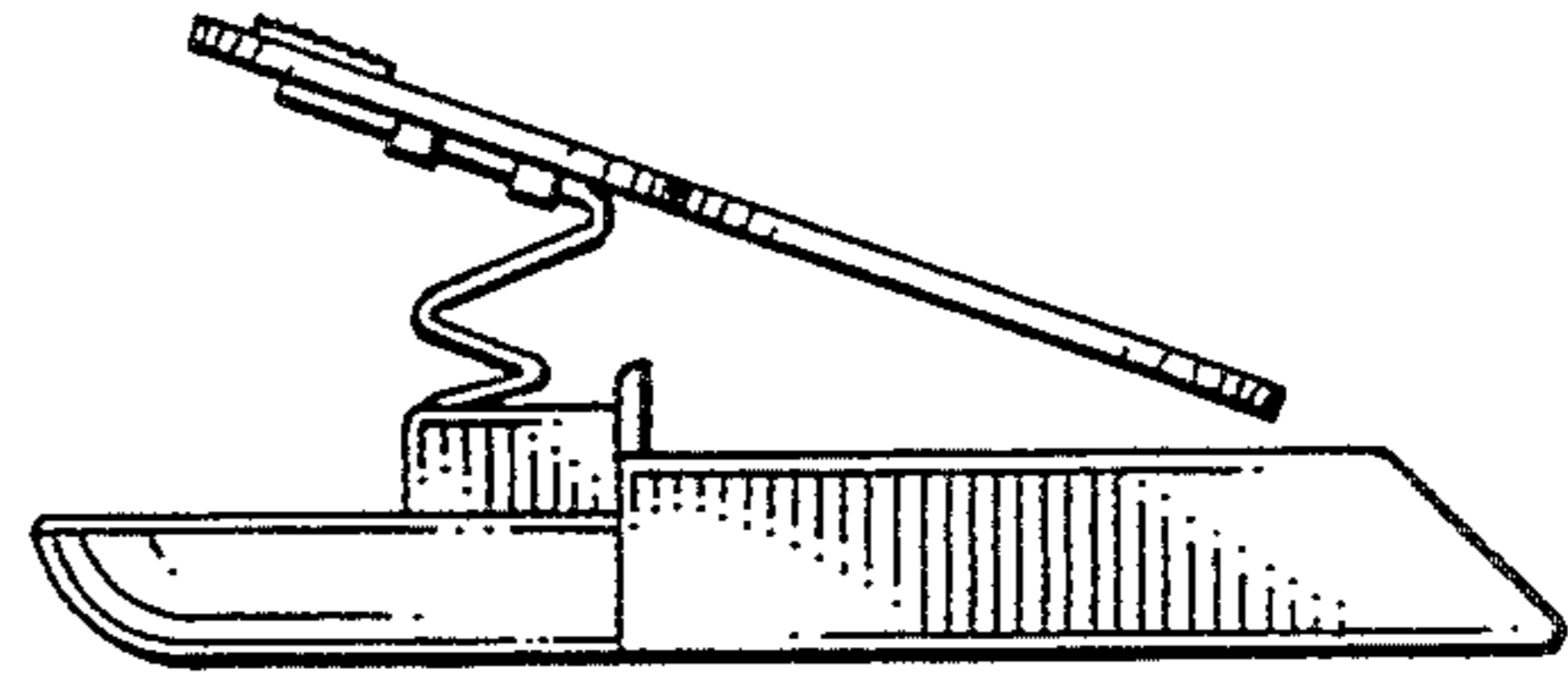


FIG. 4

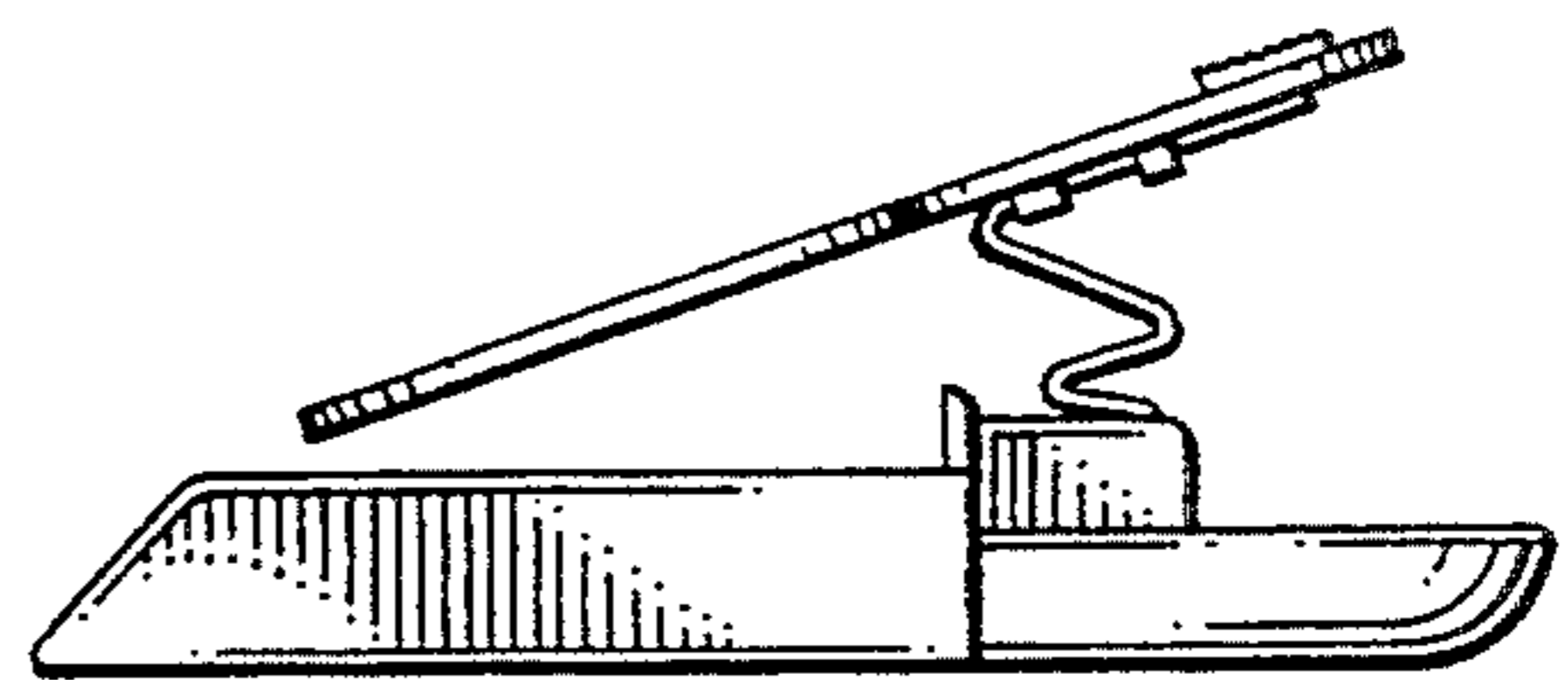


FIG. 5

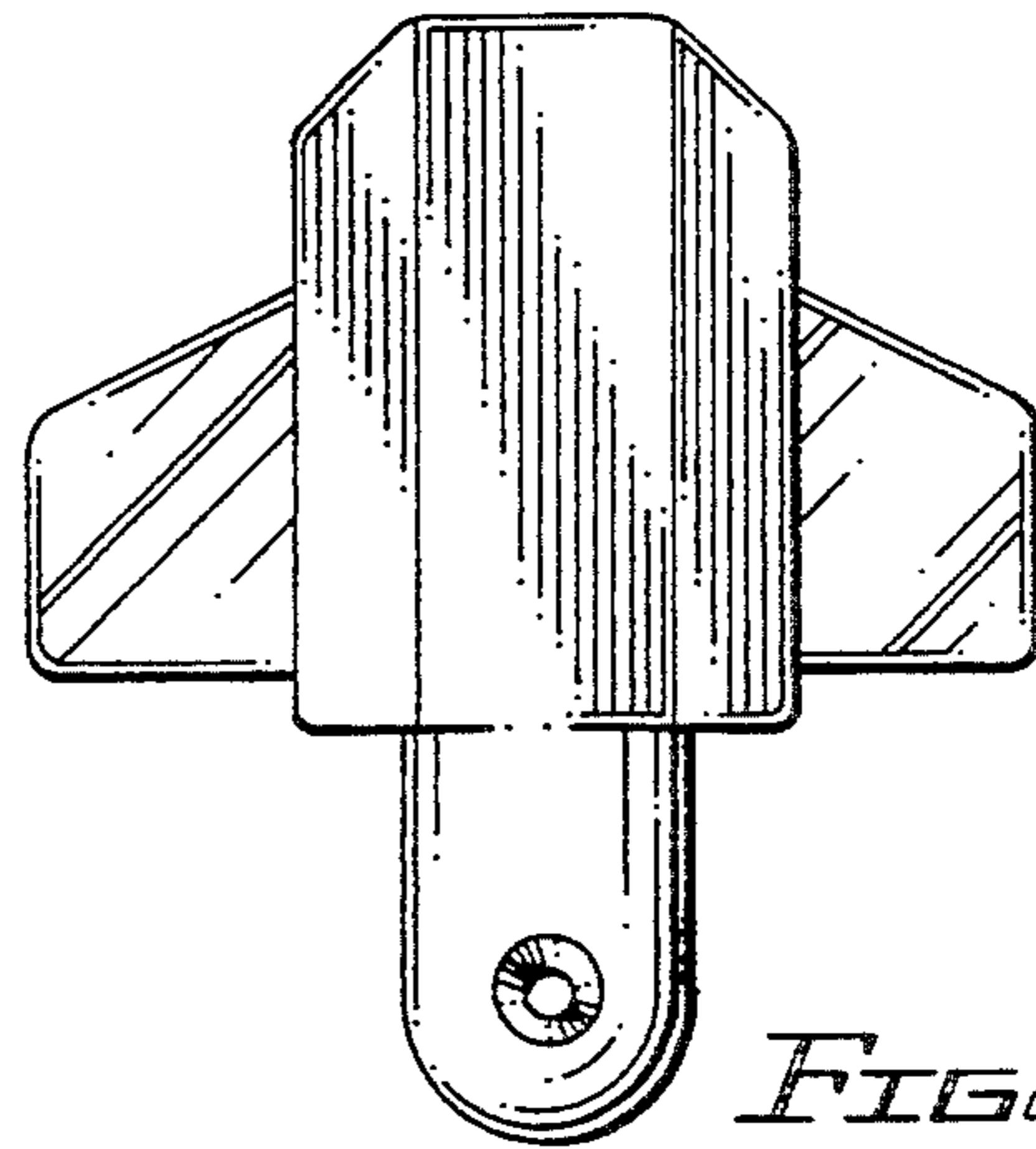


FIG. 3

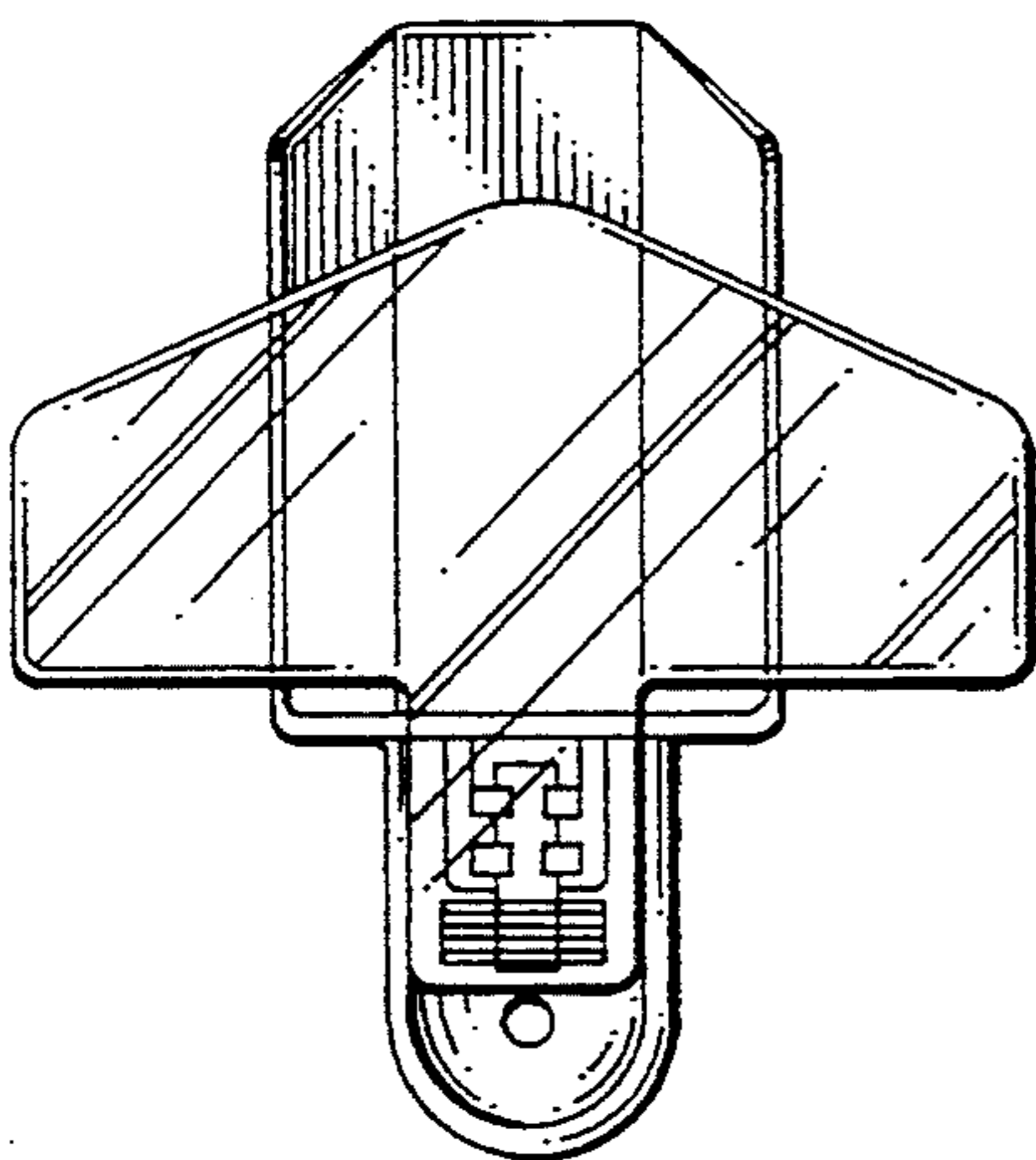


FIG. 2

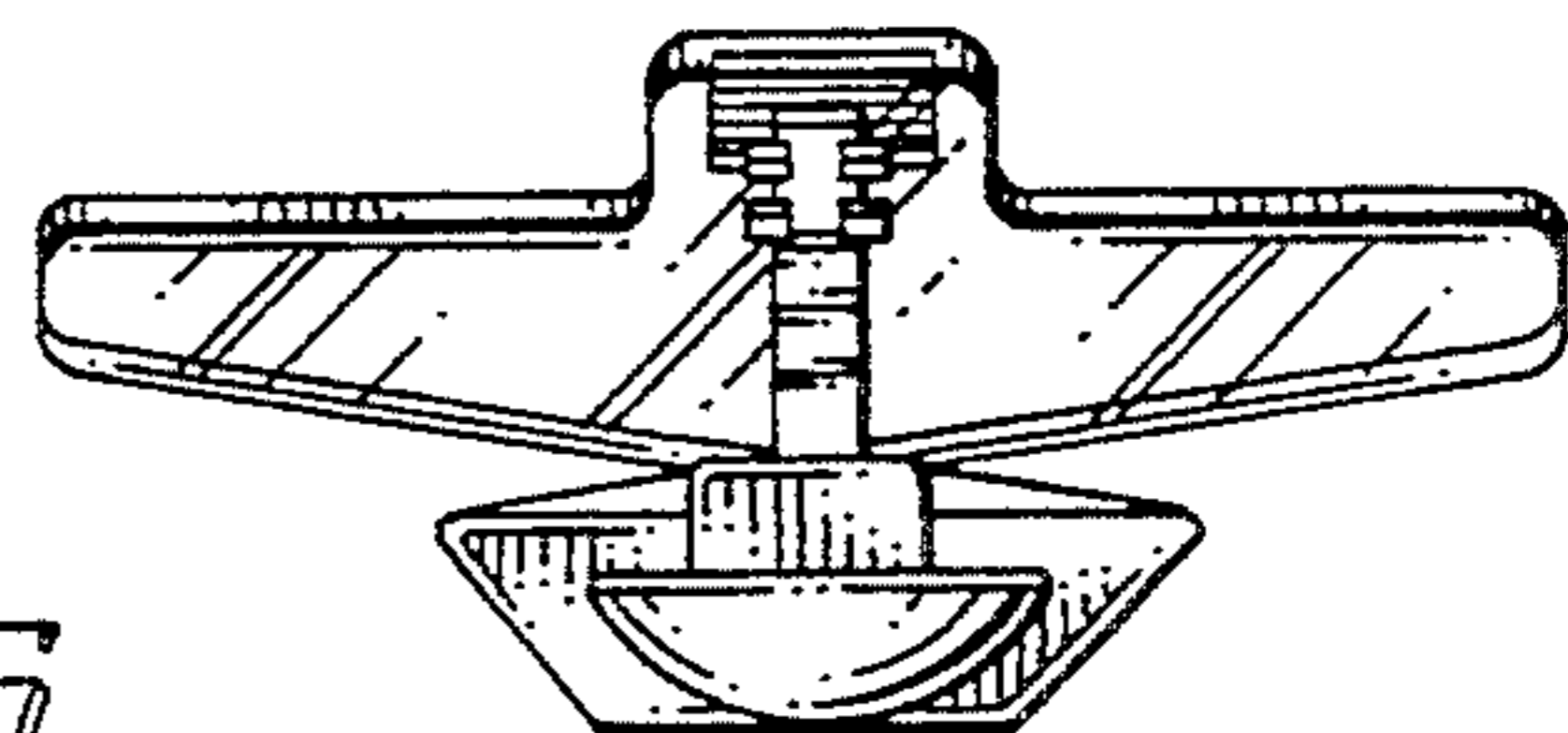


FIG. 6

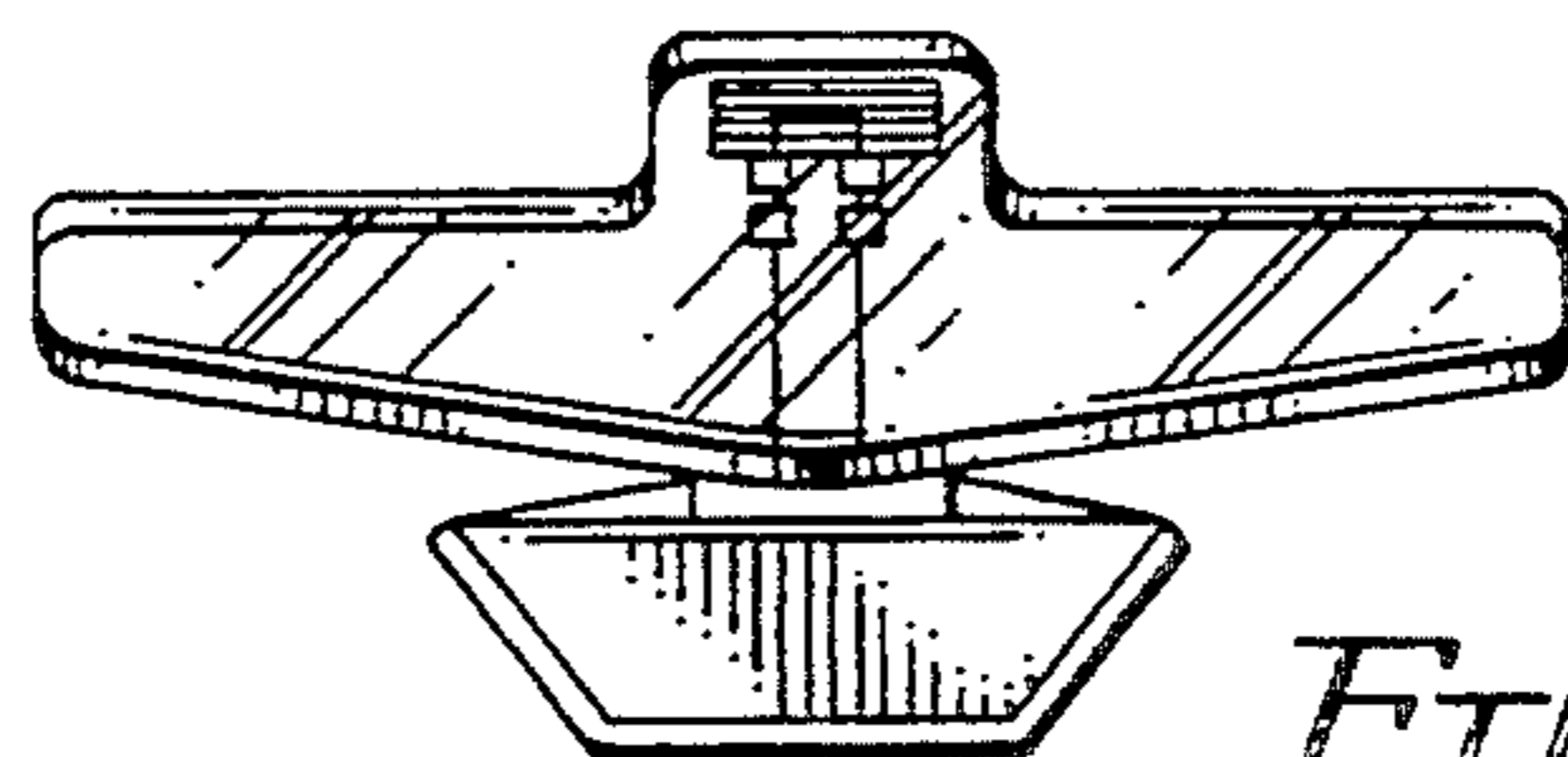


FIG. 7