



US00D361090S

United States Patent [19]

[11] Patent Number: **Des. 361,090**

Murphy

[45] Date of Patent: **** Aug. 8, 1995**

[54] FILE BOX

[75] Inventor: **Kent W. Murphy, Wooster, Ohio**

[73] Assignee: **Berol Corporation, Brentwood, Tenn.**

[**] Term: **14 Years**

[21] Appl. No.: **16,010**

[22] Filed: **Dec. 3, 1993**

[52] U.S. Cl. **D19/75; D19/76; D19/90; D19/634**

[58] Field of Search **D6/632, 634; D9/423, D9/425, 420, 424, 428; D19/65, 75, 76, 78, 86, 90, 91, 95, 99, 100; 206/215, 444, 425, 387, 56; 211/10, 11, 45, 50, 55**

[56] **References Cited**

U.S. PATENT DOCUMENTS

- D. 172,296 5/1954 Nelson D9/423
- D. 289,262 4/1987 Goetz et al. D9/423 X
- D. 313,817 1/1991 Thomas D19/75
- D. 327,705 7/1992 Aaldenberg et al. D19/90 X

- D. 328,313 7/1992 Evenson et al. D19/75
- D. 335,575 5/1993 Suwa D19/90 X

Primary Examiner—Martie Thompson
Attorney, Agent, or Firm—Paul J. Sutton

[57] **CLAIM**

The ornamental design for a file box, as shown and described.

DESCRIPTION

FIG. 1 is a top right front perspective view of the file box design of the present invention;
 FIG. 2 is a front elevational view of the file box design of the present invention;
 FIG. 3 is a top plan view of the file box design of the present invention;
 FIG. 4 is a left side elevational view of the file box design of the present invention, the right side elevational view being a mirror image of this view;
 FIG. 5 is a rear elevational view of the file box design of the present invention; and,
 FIG. 6 is a bottom plan view of the file box design of the present invention.

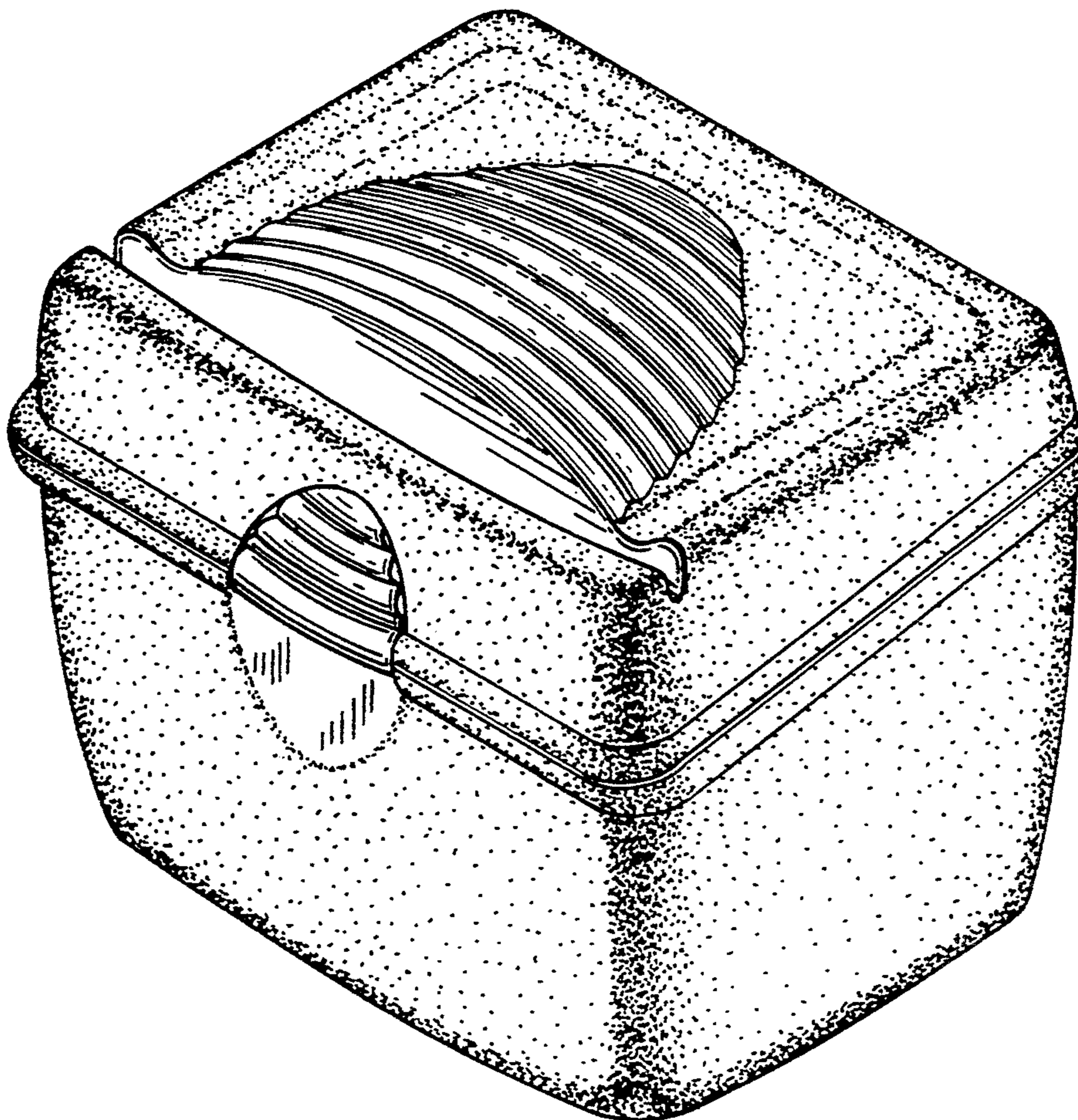


FIG. 1

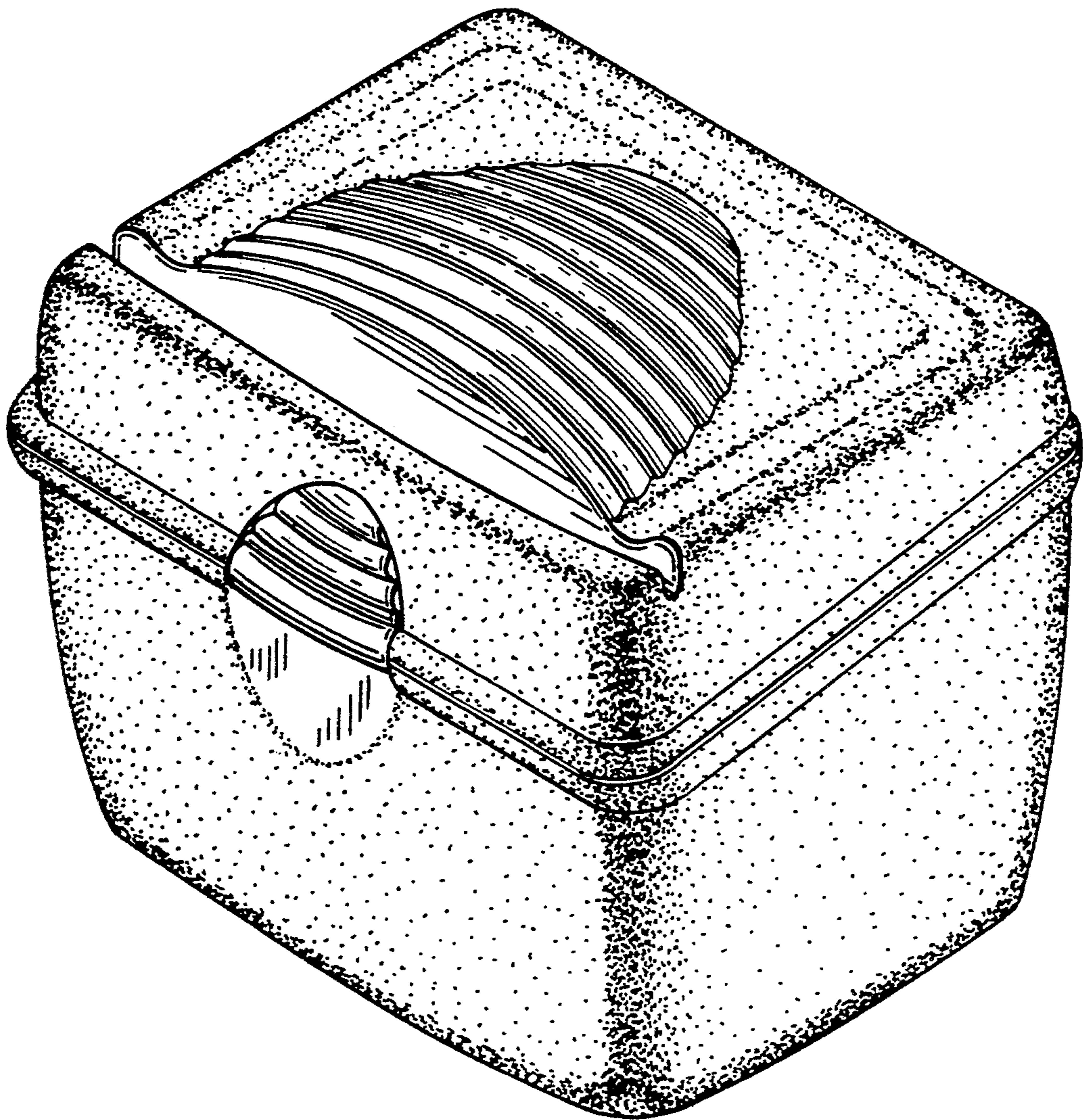


FIG. 2

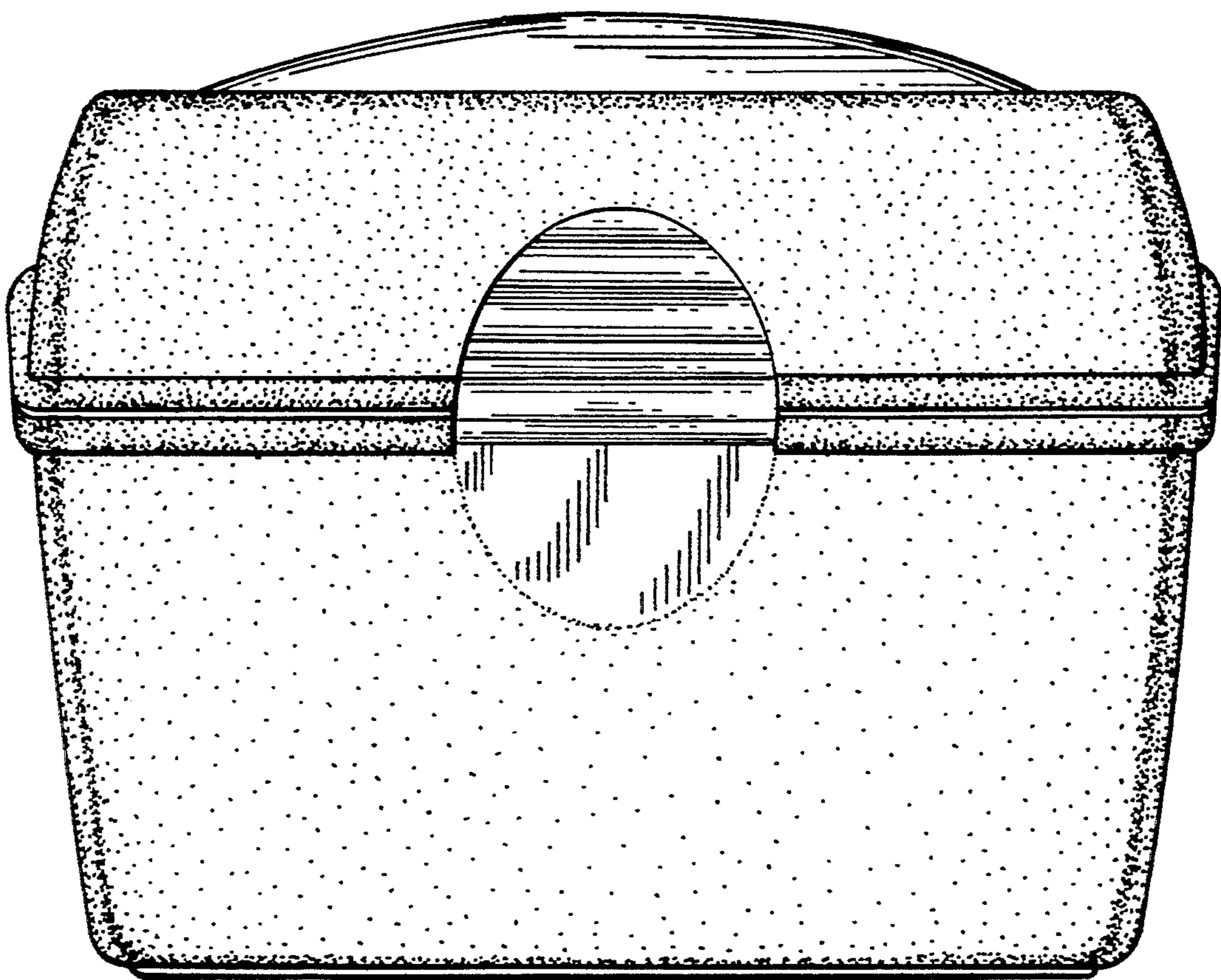


FIG. 3

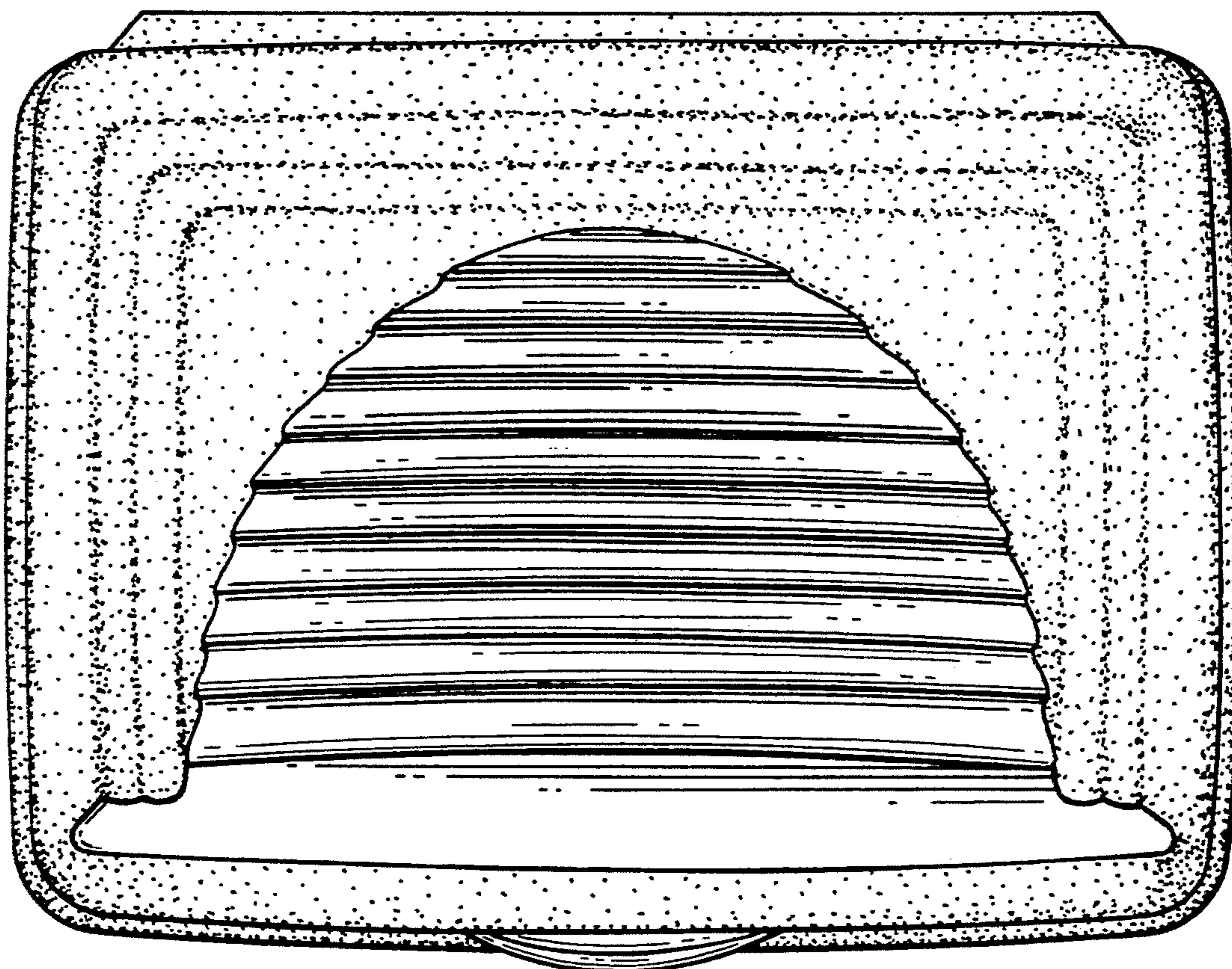


FIG. 4

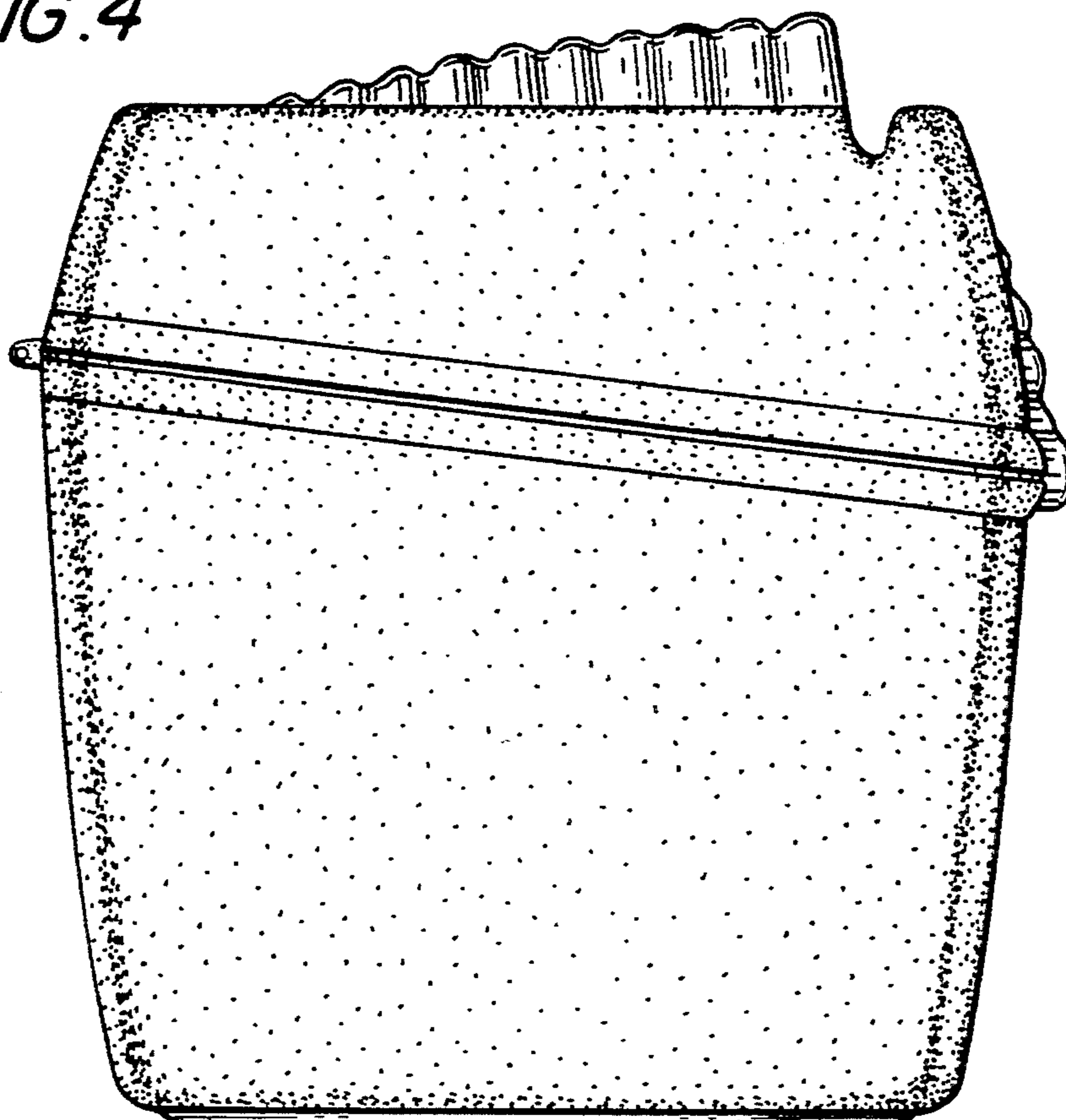


FIG. 5

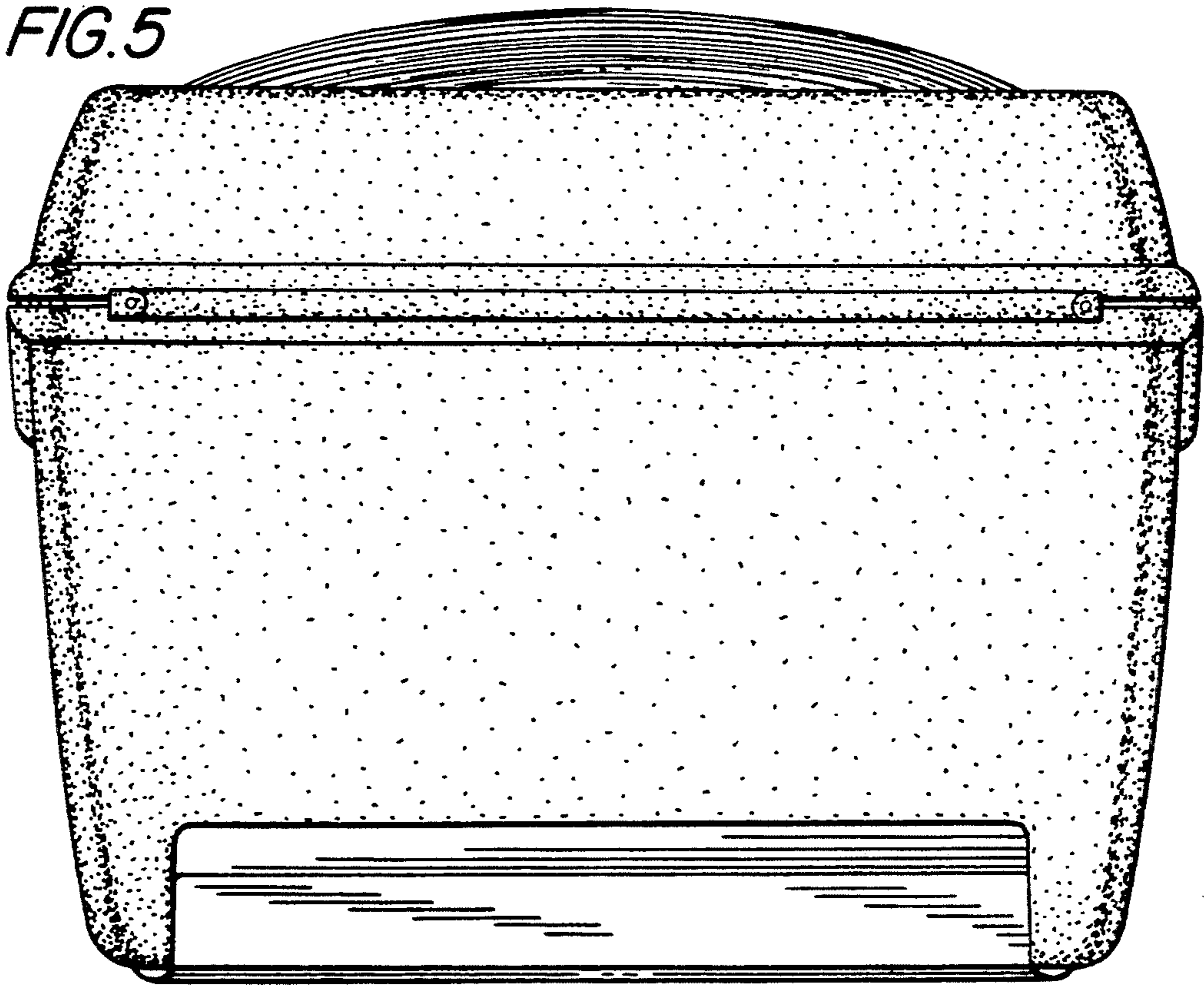


FIG. 6

