



US00D361089S

United States Patent [19]

[11] Patent Number: **Des. 361,089**

Teng

[45] Date of Patent: **** Aug. 8, 1995**

- [54] **ADHESIVE TAPE DISPENSER**
- [76] Inventor: **Wen-cheng Teng, 45 Ming-teh Rd.,
Chung-li, Taoyuan, Taiwan**
- [**] Term: **14 Years**
- [21] Appl. No.: **25,897**
- [22] Filed: **Jul. 15, 1994**
- [52] U.S. Cl. **D19/69; D19/67**
- [58] **Field of Search** **D19/65, 67, 68, 69,
D19/75, 95, 89, 99, 100; 225/6, 7, 19, 24, 25, 34,
35, 36, 45-47, 56, 65, 77, 89; 156/523, 527;
312/38, 39; 242/55.53; 224/218**

- 2,275,408 3/1942 Alliss D25/25
- 4,447,281 5/1984 Joy 156/523 X
- 4,729,518 3/1988 Mathna et al. 242/55.53
- 5,215,236 6/1993 Waddell 224/218

Primary Examiner—Martie Thompson
Attorney, Agent, or Firm—DeGrandi, Weilacher &
Young Beveridge

[56] **References Cited**

U.S. PATENT DOCUMENTS

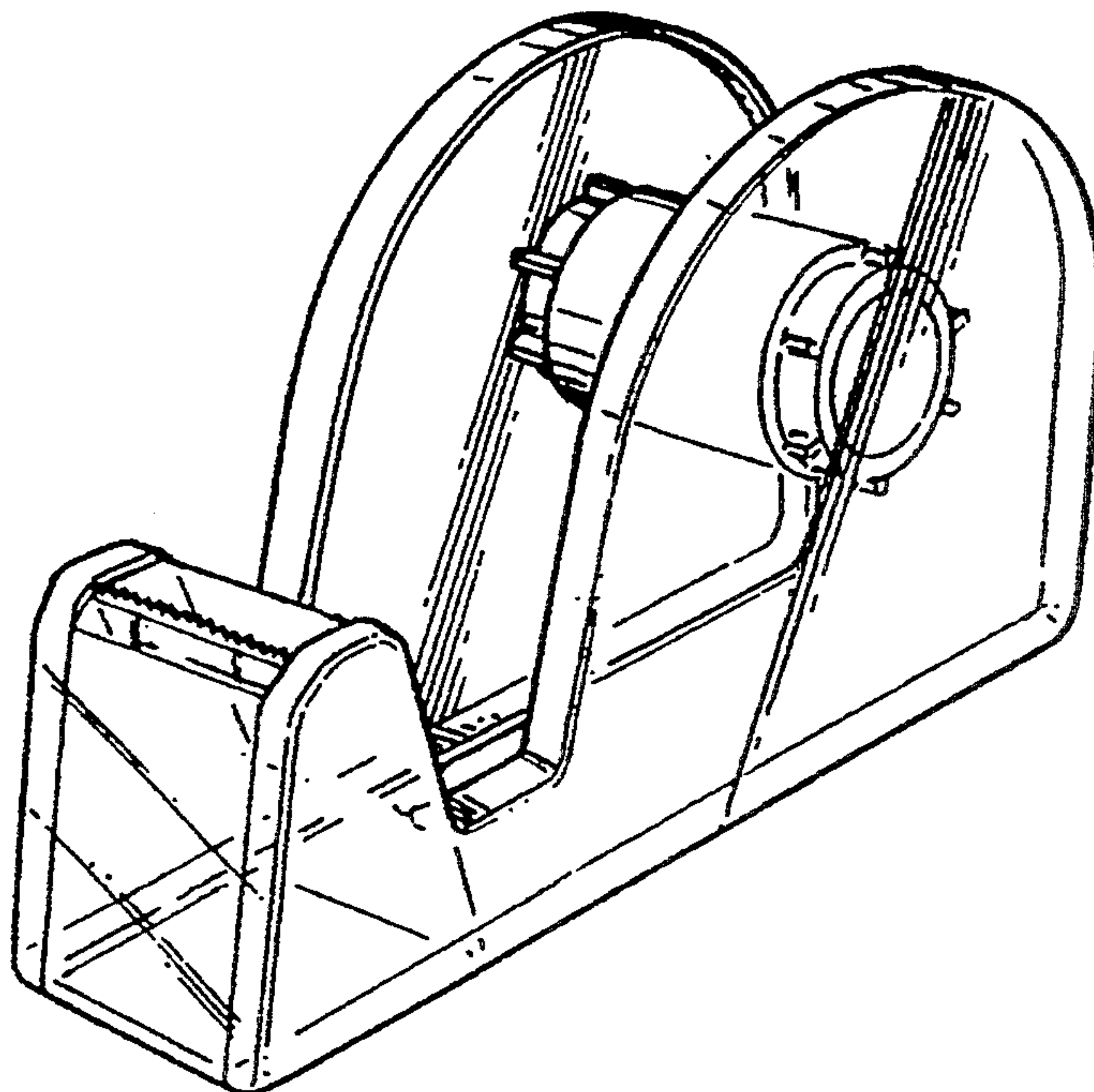
- D. 118,629 1/1940 Reinecke D19/69
- D. 177,224 3/1986 Gershen D19/69
- D. 330,727 11/1992 Wehrle D19/67 X
- D. 331,262 11/1992 O'Brien D19/69
- D. 342,093 12/1993 Samuelson D19/69

[57] **CLAIM**

The ornamental design for an adhesive tape dispenser, as shown and described.

DESCRIPTION

FIG. 1 is a perspective view of an adhesive tape dispenser showing my new design;
 FIG. 2 is the front elevational view thereof;
 FIG. 3 is the rear elevational view thereof;
 FIG. 4 is the left side elevational view thereof;
 FIG. 5 is the right side elevational view thereof;
 FIG. 6 is the top plan view thereof; and,
 FIG. 7 is the bottom plan view thereof.



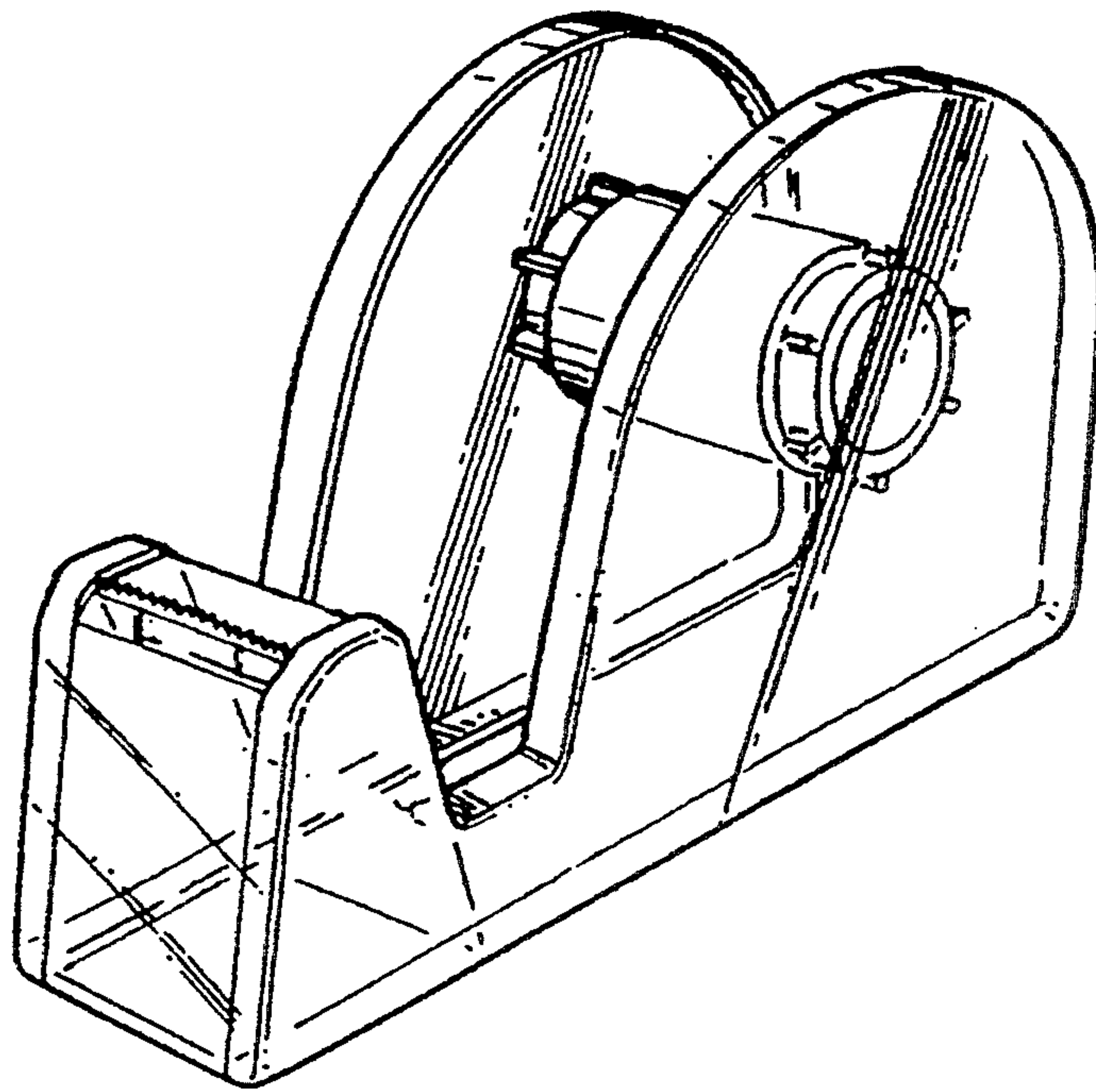


FIG.1

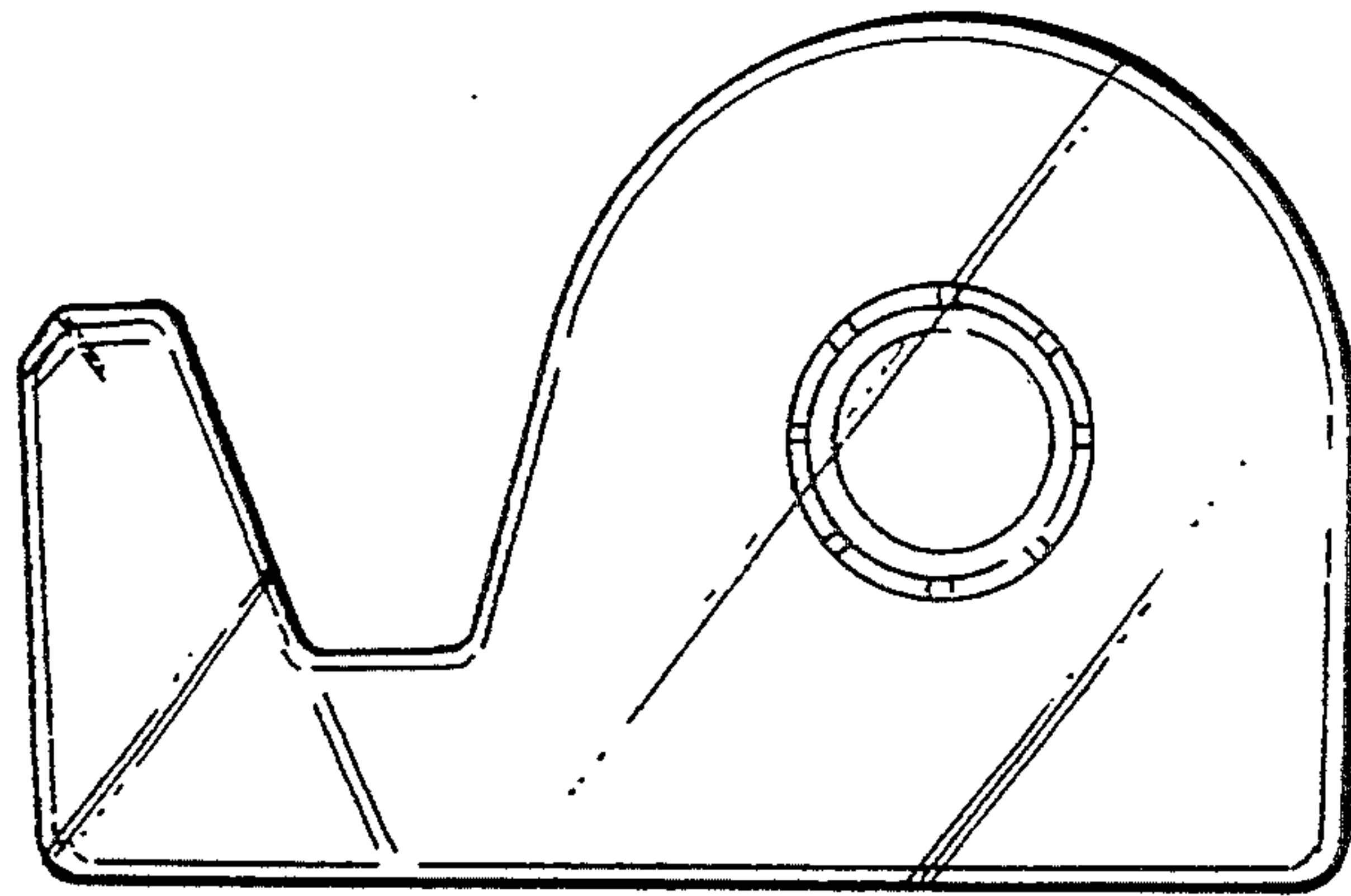


FIG. 2

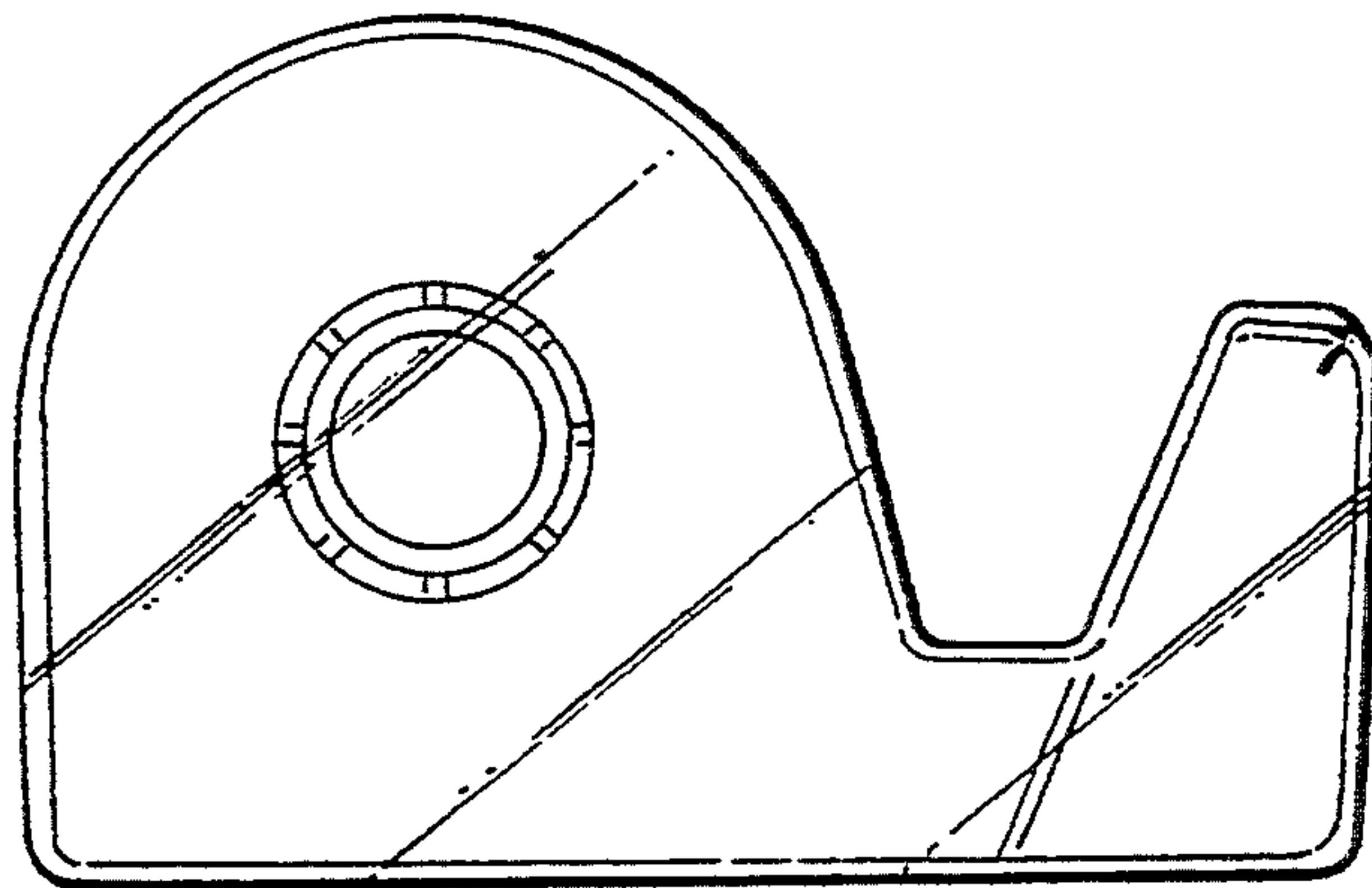


FIG. 3

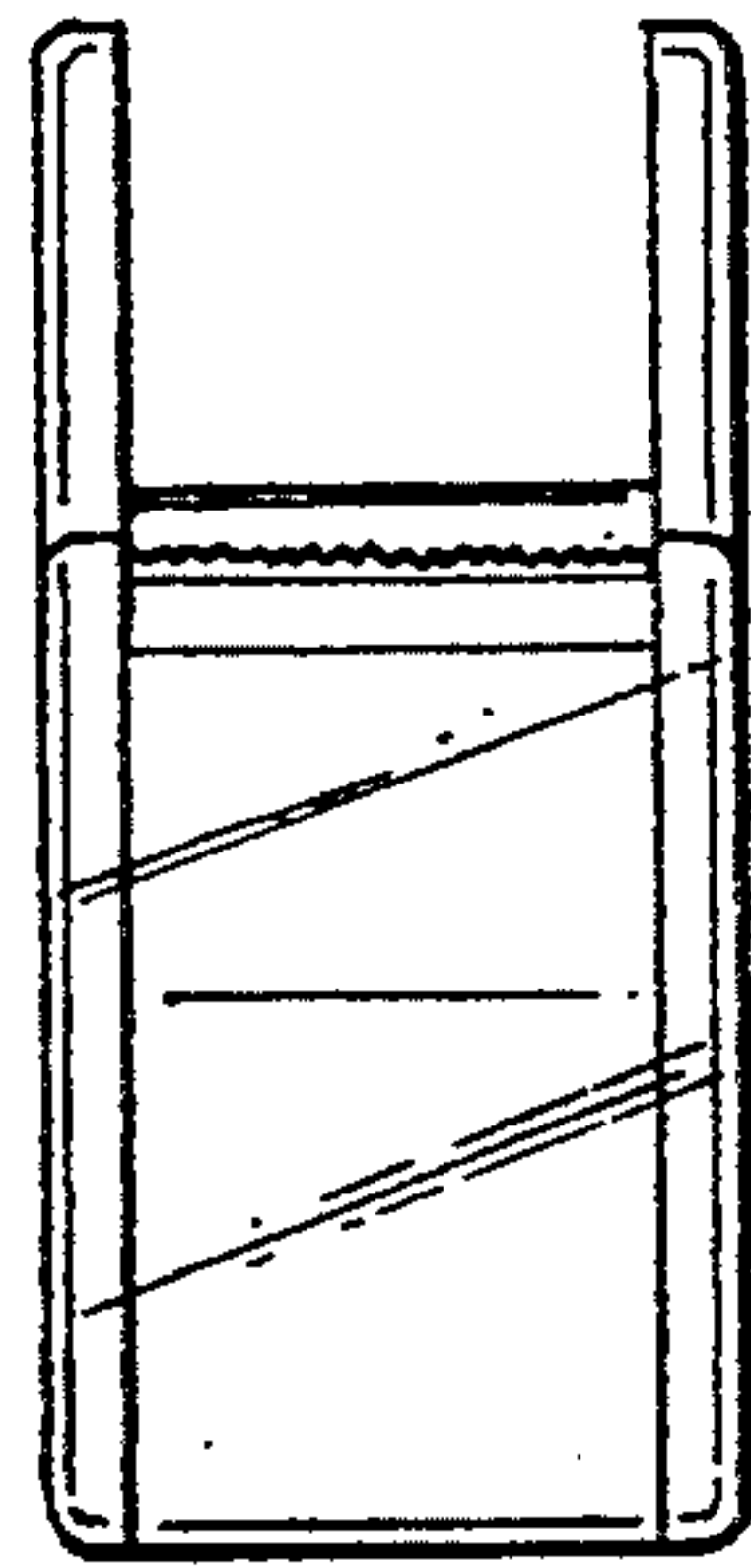


FIG.4

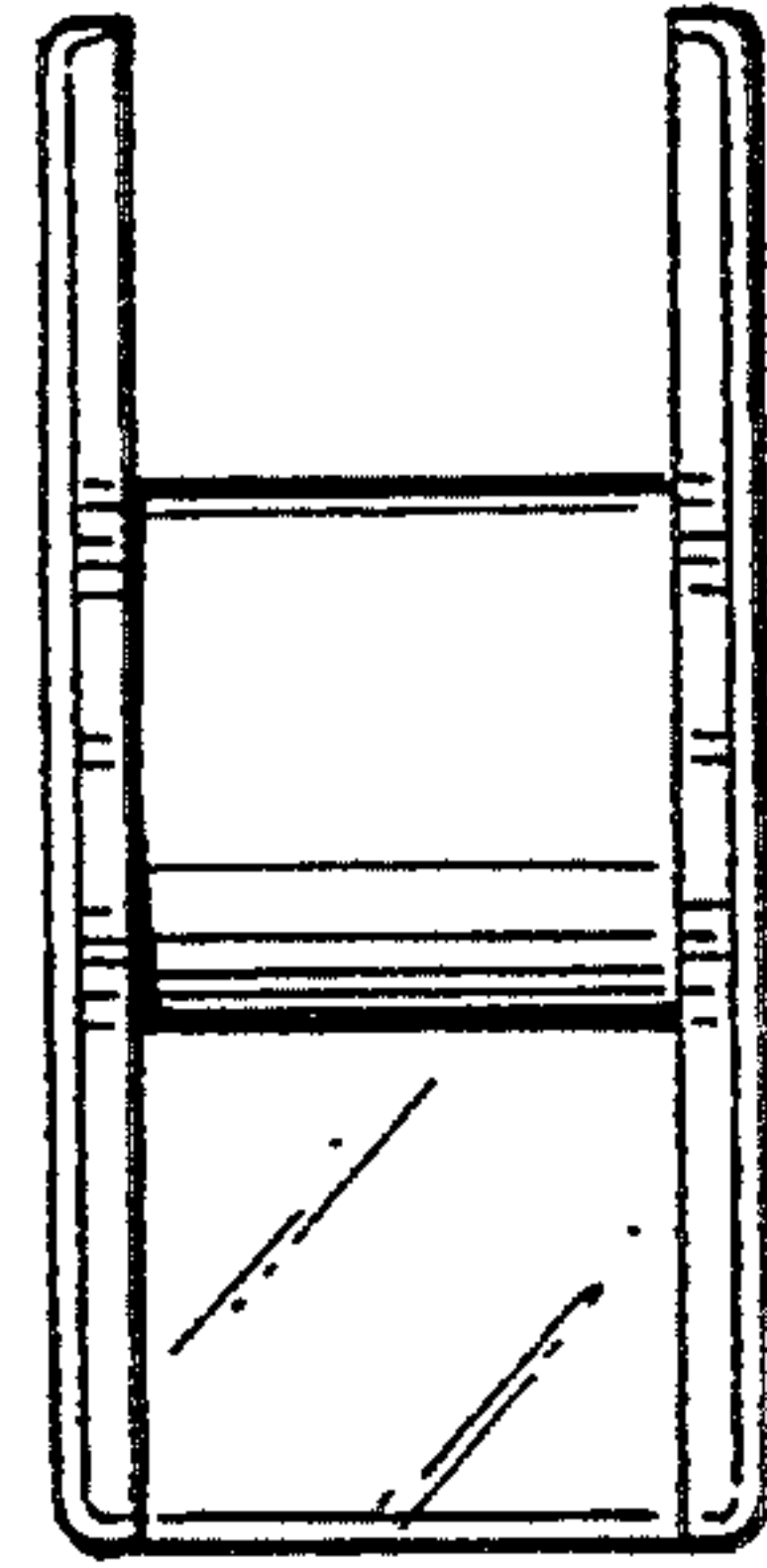


FIG.5

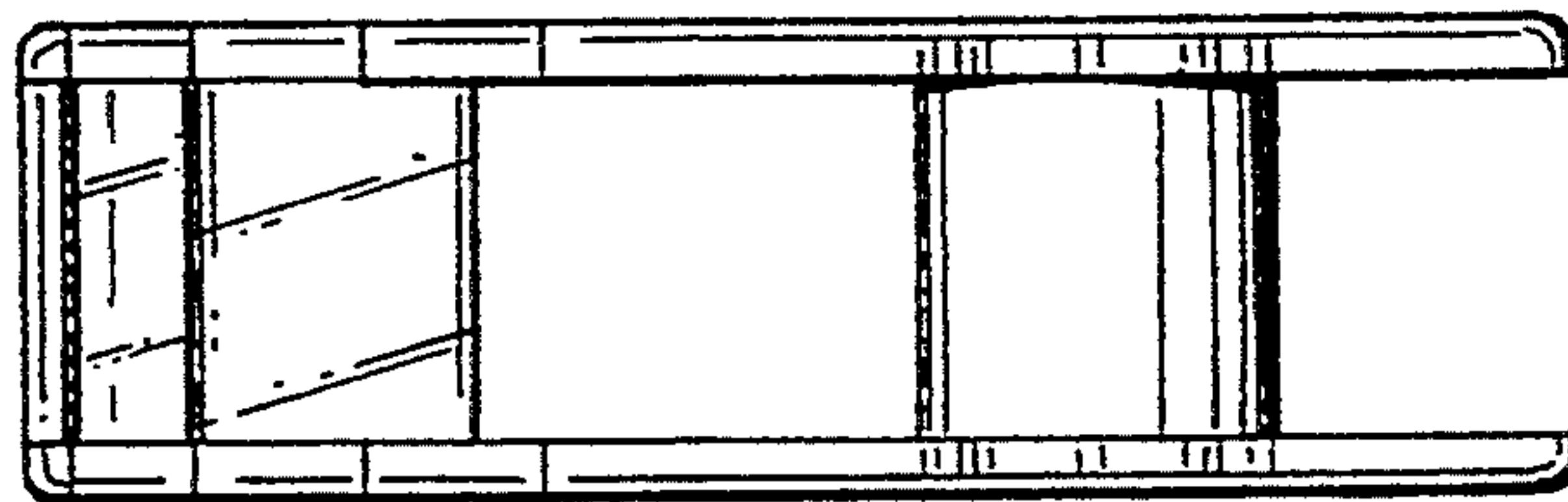


FIG.6

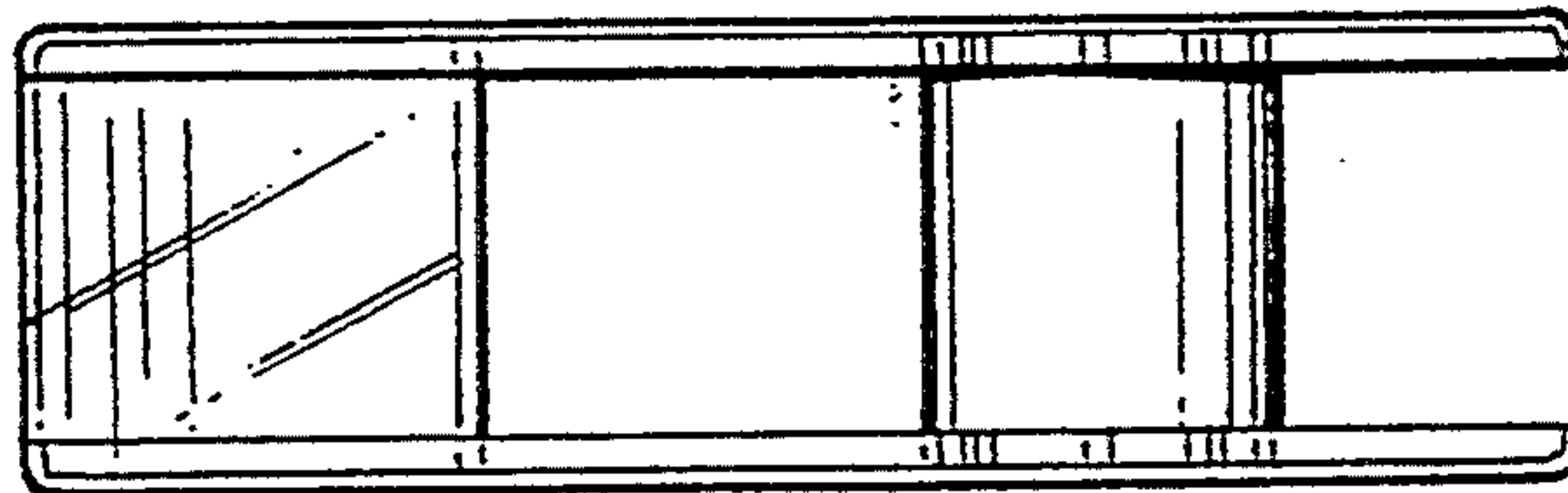


FIG.7