



US00D361088S

# United States Patent [19]

Poole

[11] Patent Number: **Des. 361,088**

[45] Date of Patent: **\*\* Aug. 8, 1995**

[54] **HAND HELD MASKING MACHINE**

3,553,060	1/1971	Waltz .....	156/554
4,096,021	6/1978	Pool et al. ....	156/527
4,379,019	4/1983	Pool .....	156/527

[76] Inventor: **Dan B. Poole**, 14645 N. 15 Dr., Phoenix, Ariz. 85029

[\*\*] Term: **14 Years**

*Primary Examiner*—Martie Thompson  
*Attorney, Agent, or Firm*—Parsons & Associates; Don J. Flickinger; Robert A. Parsons

[21] Appl. No.: **18,020**

[57] **CLAIM**

[22] Filed: **Jan. 27, 1994**

The ornamental design for a hand held masking machine, as shown and described.

[52] U.S. Cl. .... **D19/69; D19/67**

[58] Field of Search ..... **D19/65, 67, 68, 69; 225/6, 7, 12, 19, 25, 34, 35, 445, 56, 65, 77, 89; 156/510, 527, 523, 554**

**DESCRIPTION**

[56] **References Cited**

**U.S. PATENT DOCUMENTS**

D. 175,505	9/1955	Larsen .....	D19/69
D. 180,488	6/1957	Larsen .....	D19/69
D. 180,527	6/1957	Polster .....	D19/69
D. 241,244	8/1976	Archer .....	D19/69
2,374,103	4/1945	Johnson .....	156/554

FIG. 1 is a perspective view of a hand held masking machine, showing my new design therefor;  
FIG. 2 is another perspective view taken from the side opposite the view of FIG. 1;  
FIG. 3 is a top plan view;  
FIG. 4 is a rear elevational view;  
FIG. 5 is a right side elevational view;  
FIG. 6 is a front elevational view; and,  
FIG. 7 is a left side elevational view.

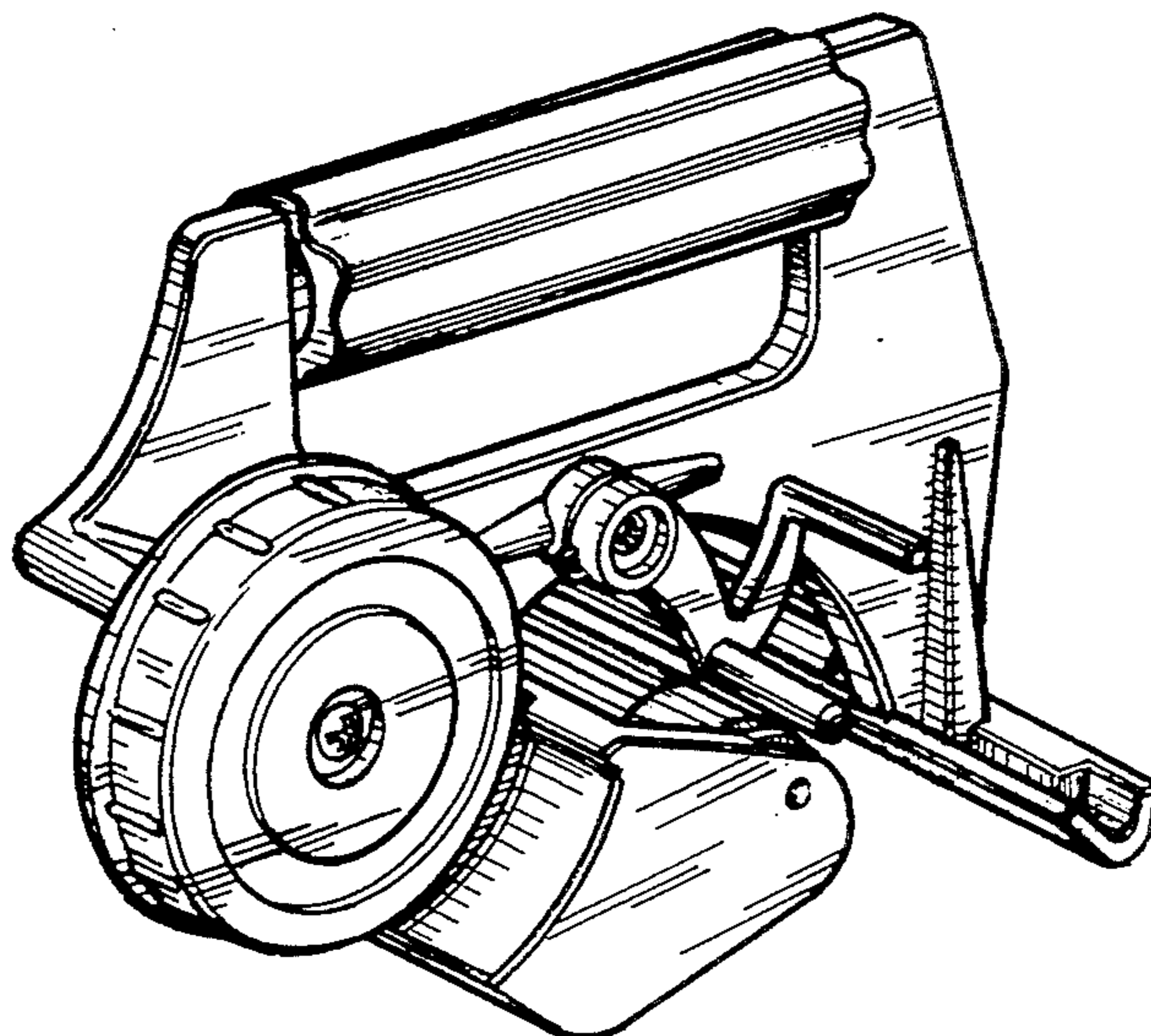
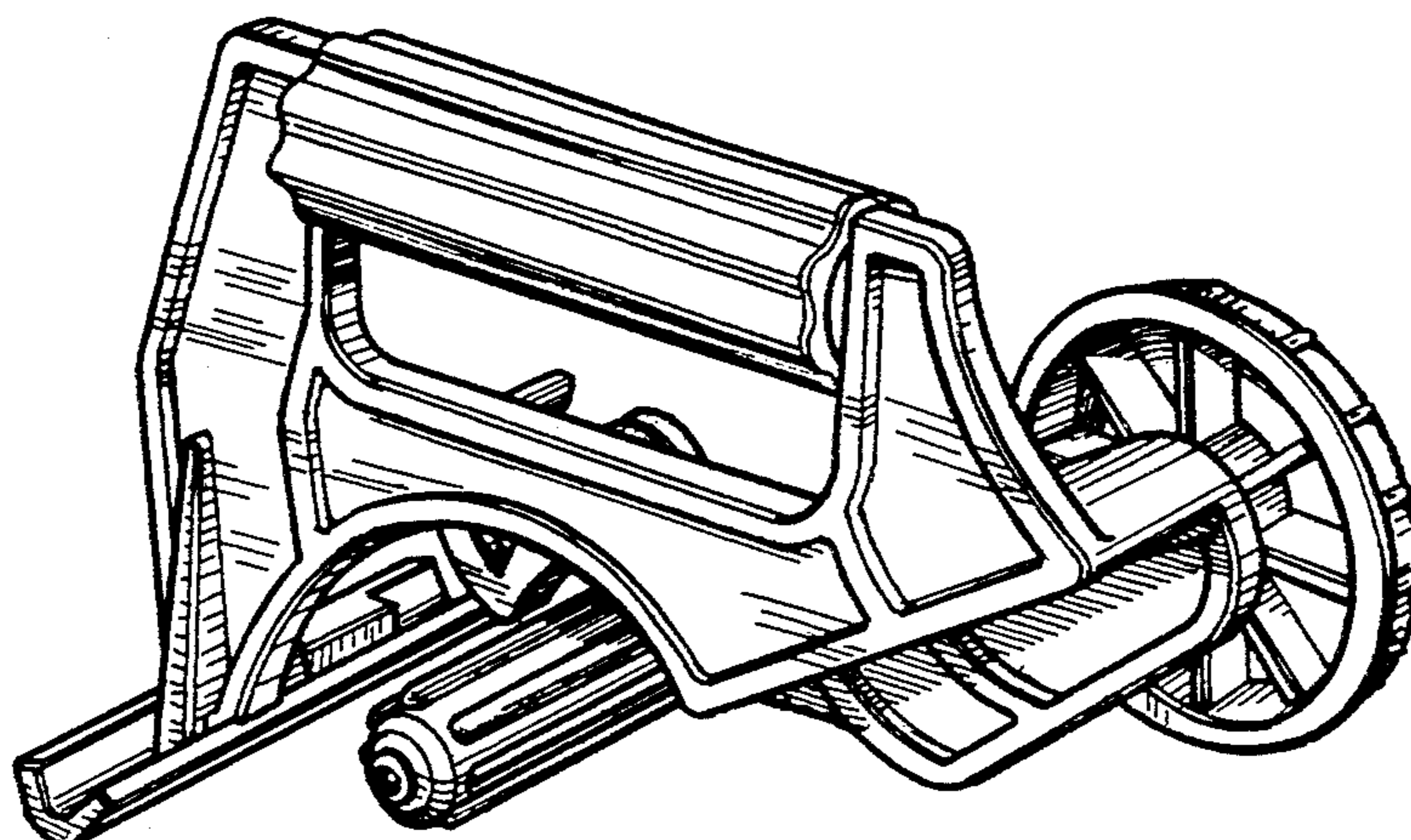


FIG. 1

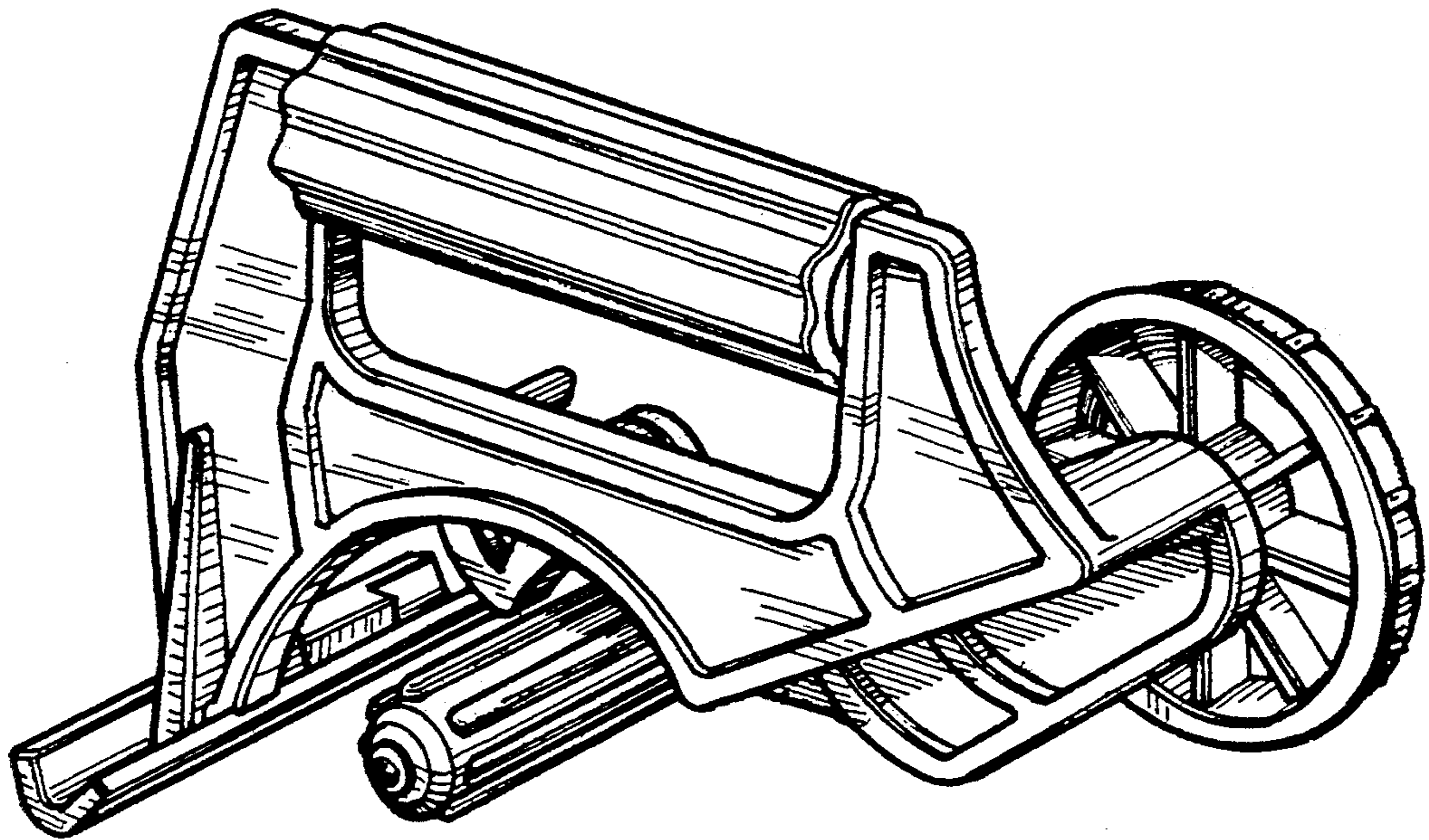


FIG. 2

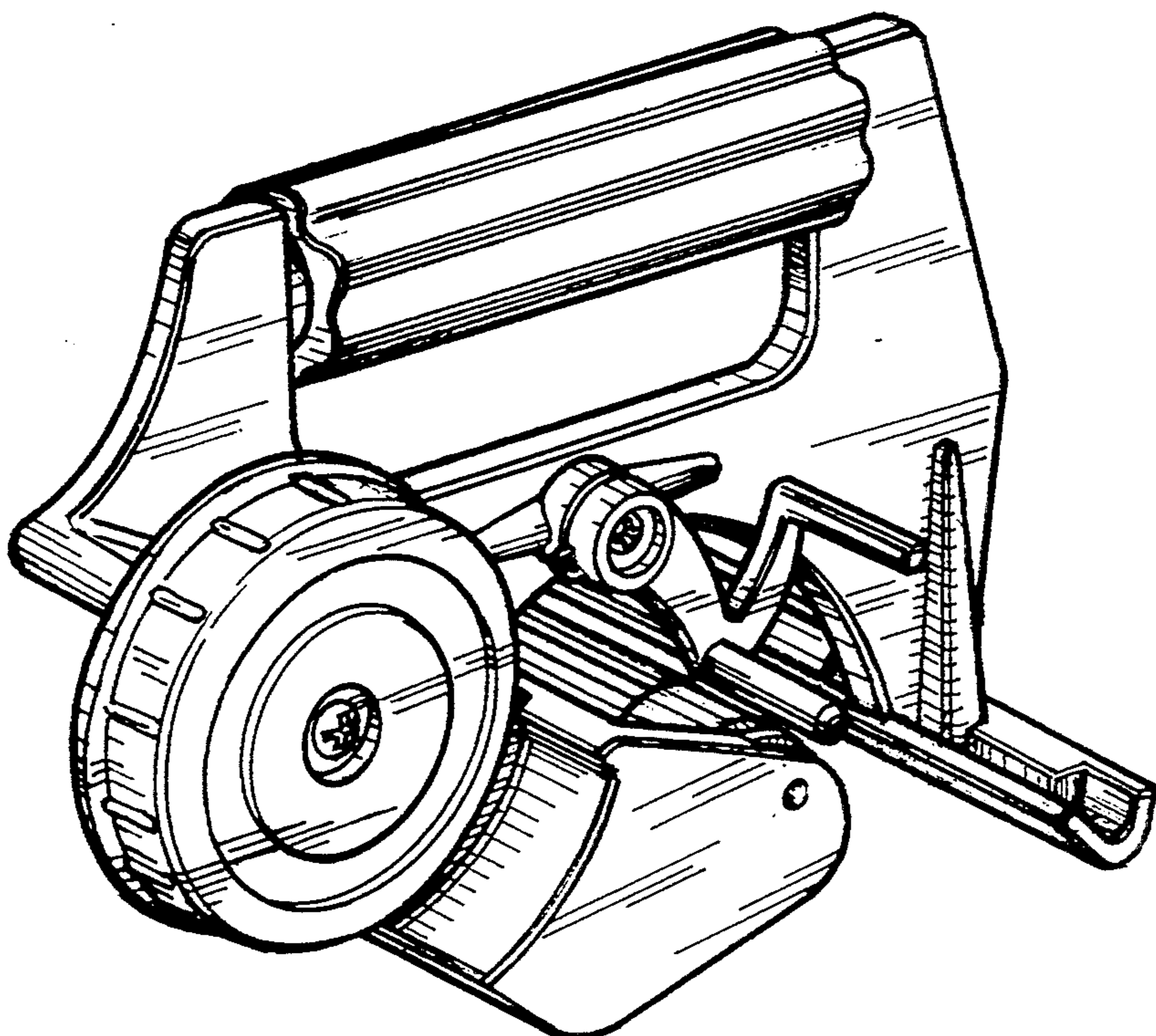


FIG. 3

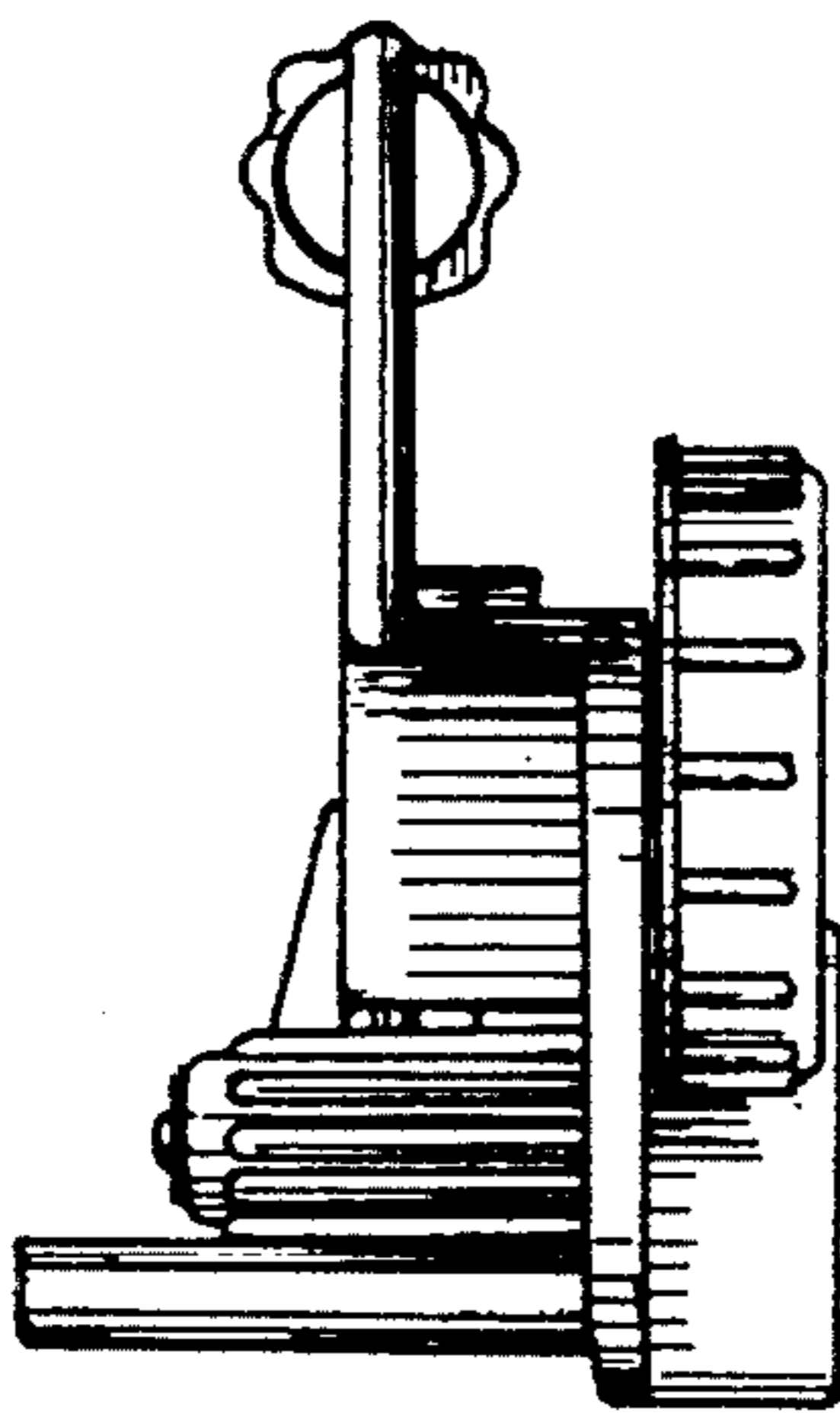
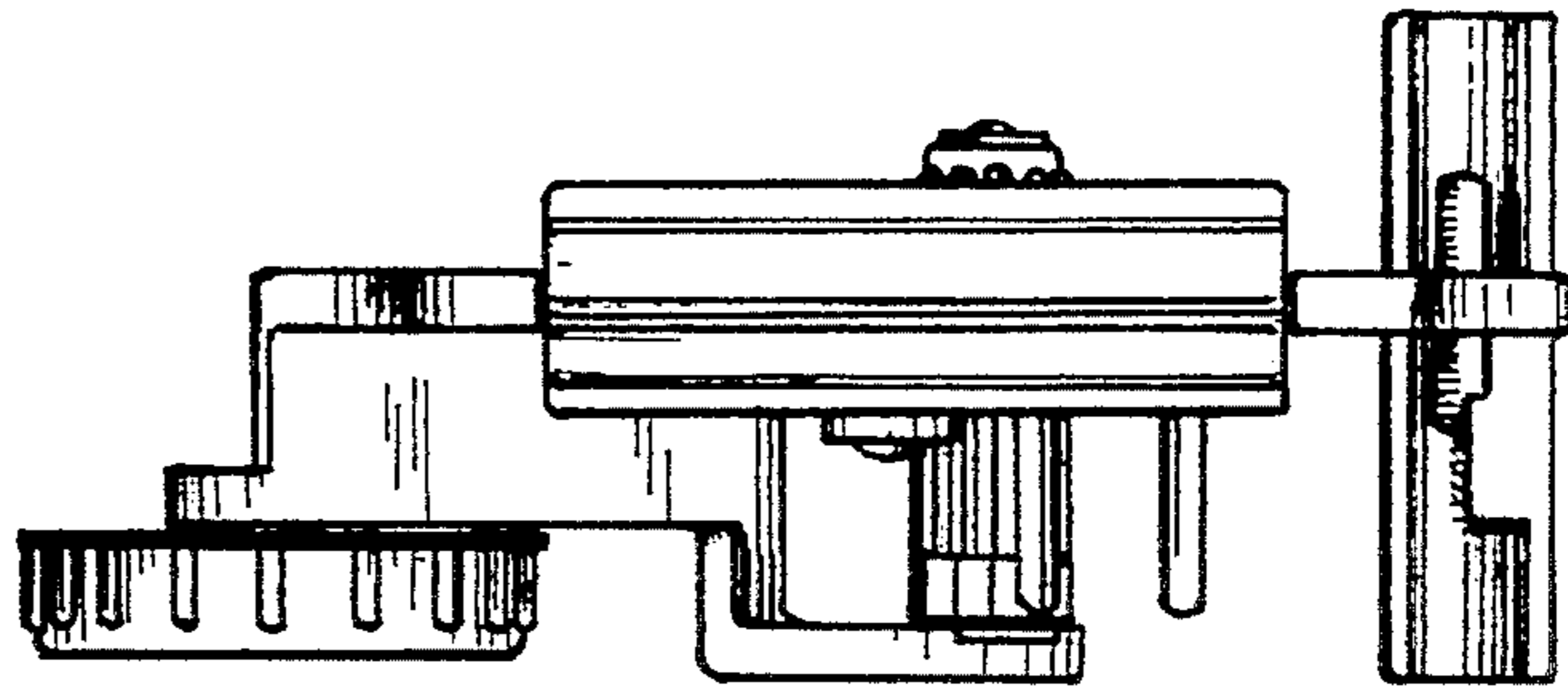


FIG. 4.

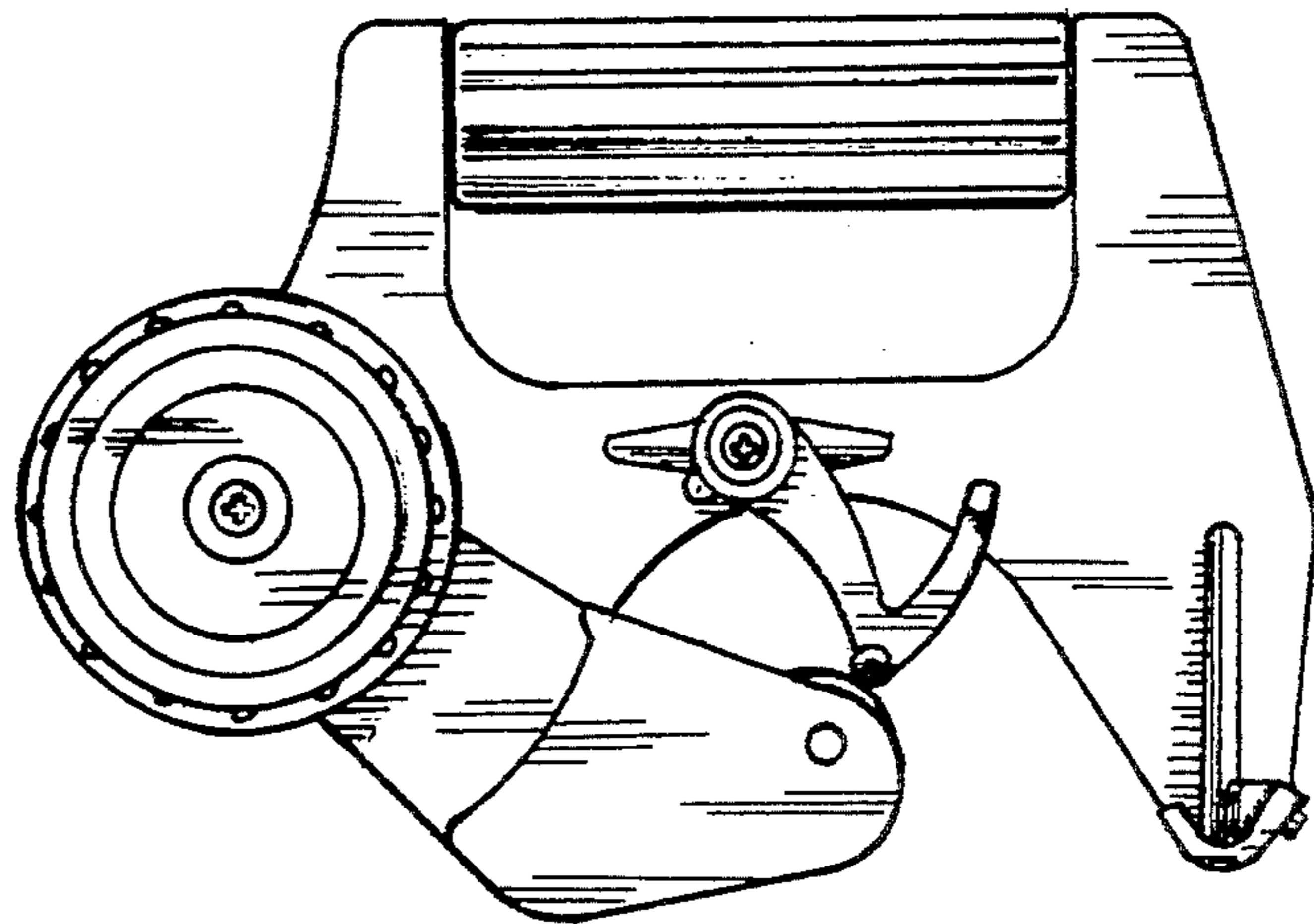


FIG 5

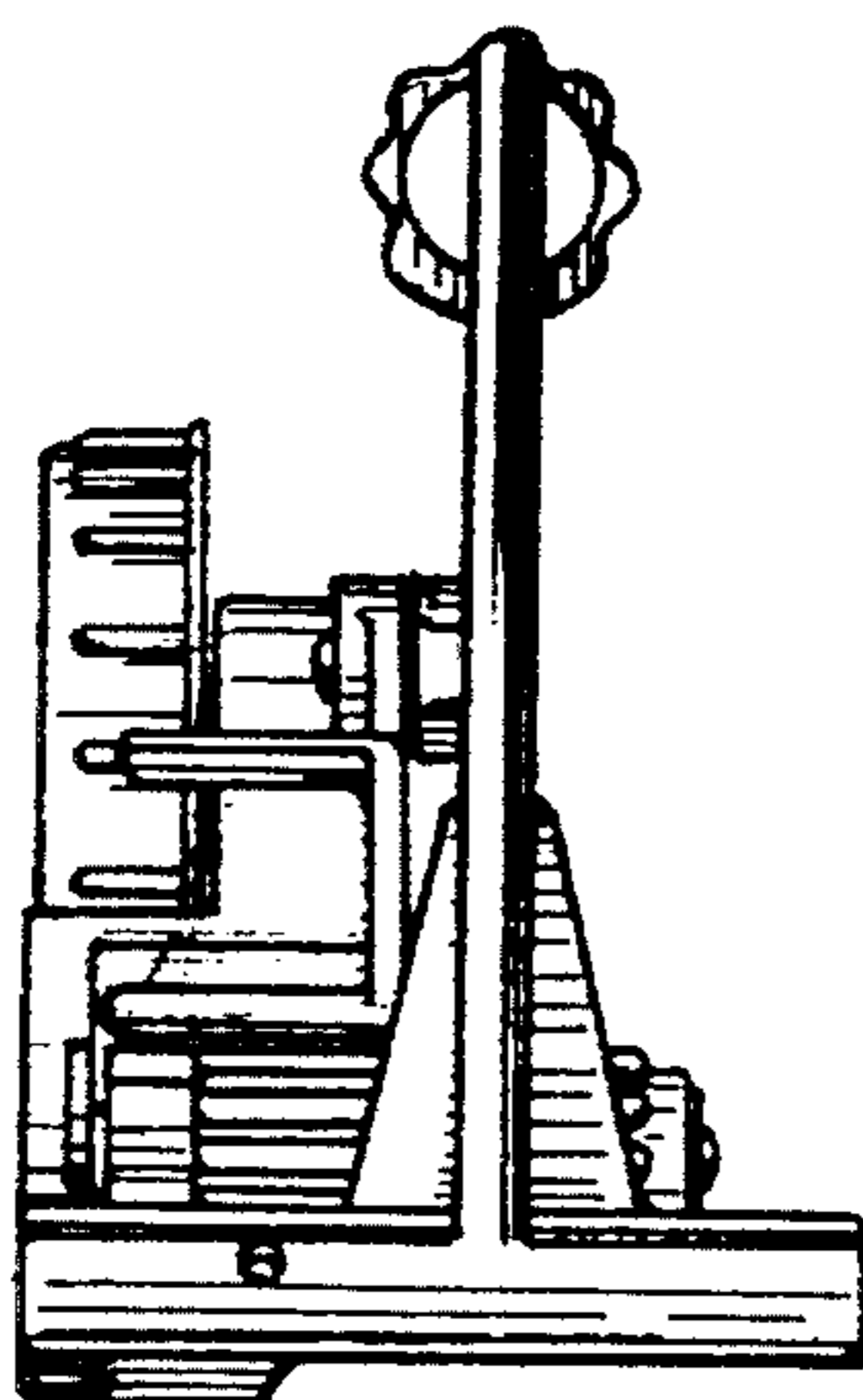


FIG. 6

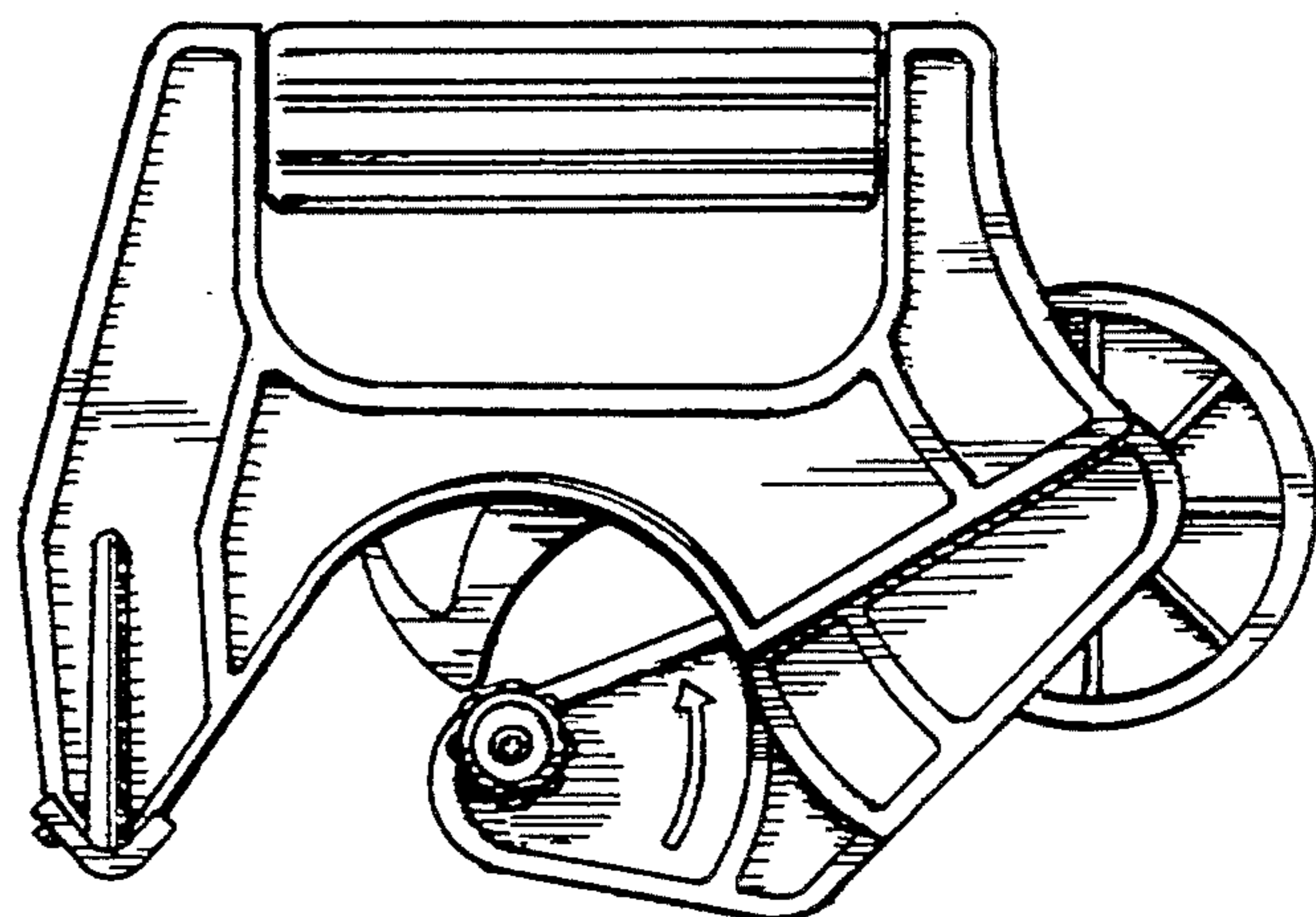


FIG. 7.