



US00D361087S

United States Patent [19]

[11] Patent Number: **Des. 361,087**

van Eijben et al.

[45] Date of Patent: **** Aug. 8, 1995**

[54] **TAPE DISPENSER**

D. 194,756	3/1963	Norman	D19/69 X
D. 194,819	3/1963	Lausa	D19/69
D. 289,862	5/1987	Reisgies et al.	D9/521 X
1,837,180	12/1931	Bennett, Jr. et al.	D19/69 X

[75] Inventors: **Bruno N. van Eijben, Delft; Wolfram Peters; Peter Krouwel**, both of Leiden, all of Netherlands

Primary Examiner—Martie Thompson
Attorney, Agent, or Firm—Diller, Ramik & Wight

[73] Assignee: **Randstad Dienstengroep Nederland B.V.**, Netherlands

[57] **CLAIM**

[**] Term: **14 Years**

The ornamental design for a tape dispenser, as shown and described.

[21] Appl. No.: **14,214**

DESCRIPTION

[22] Filed: **Oct. 15, 1993**

[30] **Foreign Application Priority Data**

May 17, 1993 [XH] Hague Agreement DM/026166

[52] U.S. Cl. **D19/69; D19/67**

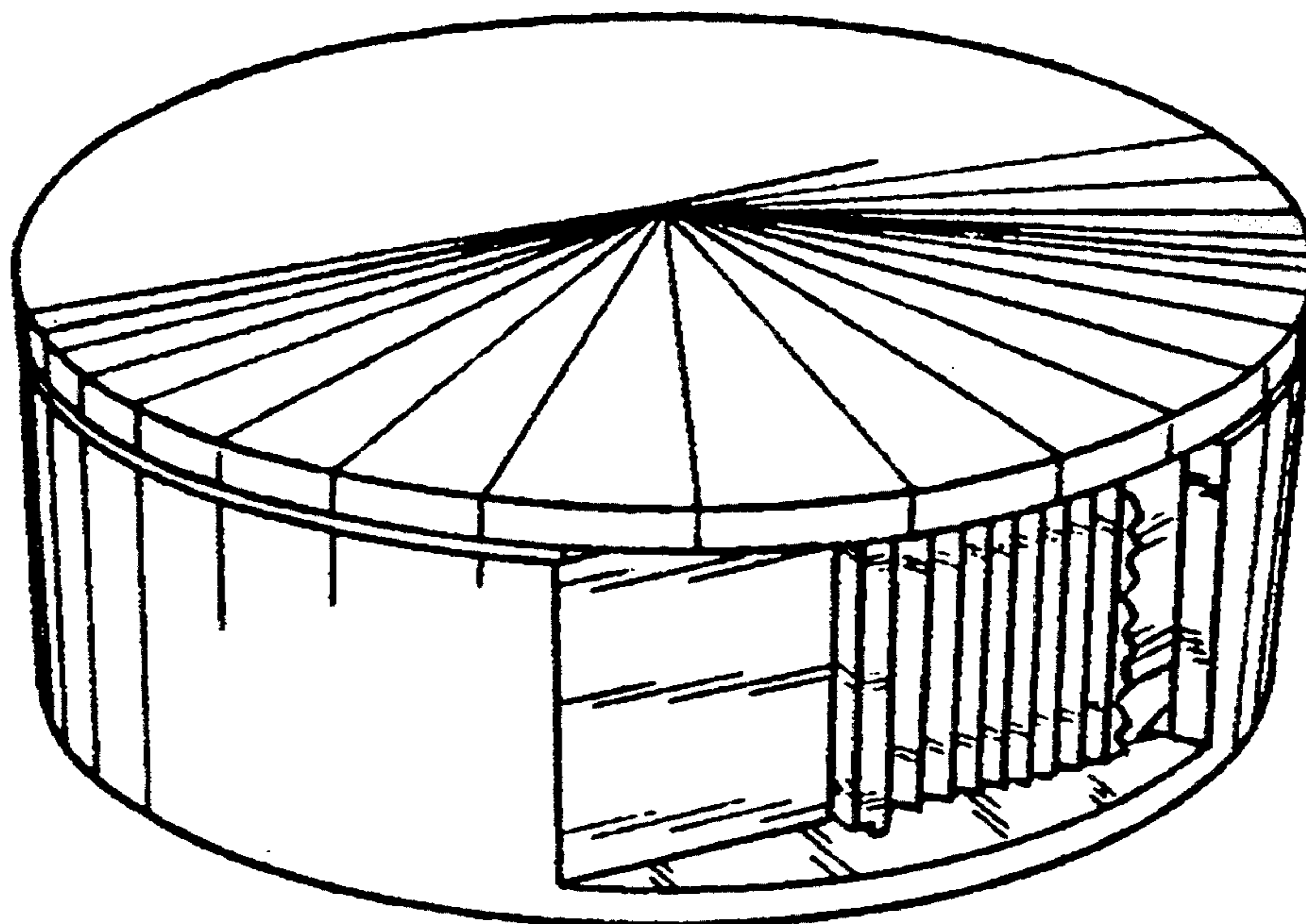
[58] Field of Search D9/521; D19/65, 67, D19/68, 69, 95, 99, 100; 225/6, 7, 19, 24, 25, 34, 35, 45, 56, 65, 77, 89; 156/327, 510, 523, 527

FIG. 1 is a side and top perspective view of a tape dispenser showing our new design;
 FIG. 2 is a side and bottom perspective view thereof;
 FIG. 3 is a top plan view thereof;
 FIG. 4 is a bottom plan view thereof;
 FIG. 5 is a side elevational view of one side thereof;
 FIG. 6 is a side elevational view of the other side thereof;
 FIG. 7 is a top cross-sectional view thereof;
 FIG. 8 is a top cross-sectional view taken in the direction of arrows 8—8 in FIG. 10;
 FIG. 9 is a cross-sectional view taken in the direction of arrows 9—9 in FIG. 7; and,
 FIG. 10 is a cross-sectional view taken in the direction of arrows 10—10 in FIG. 8.

[56] **References Cited**

U.S. PATENT DOCUMENTS

D. 134,545	12/1942	Fischer	D19/69
D. 139,665	12/1944	Kahn	D19/69
D. 186,343	10/1959	Gershen	D19/69
D. 188,519	8/1960	Gershen	D19/69



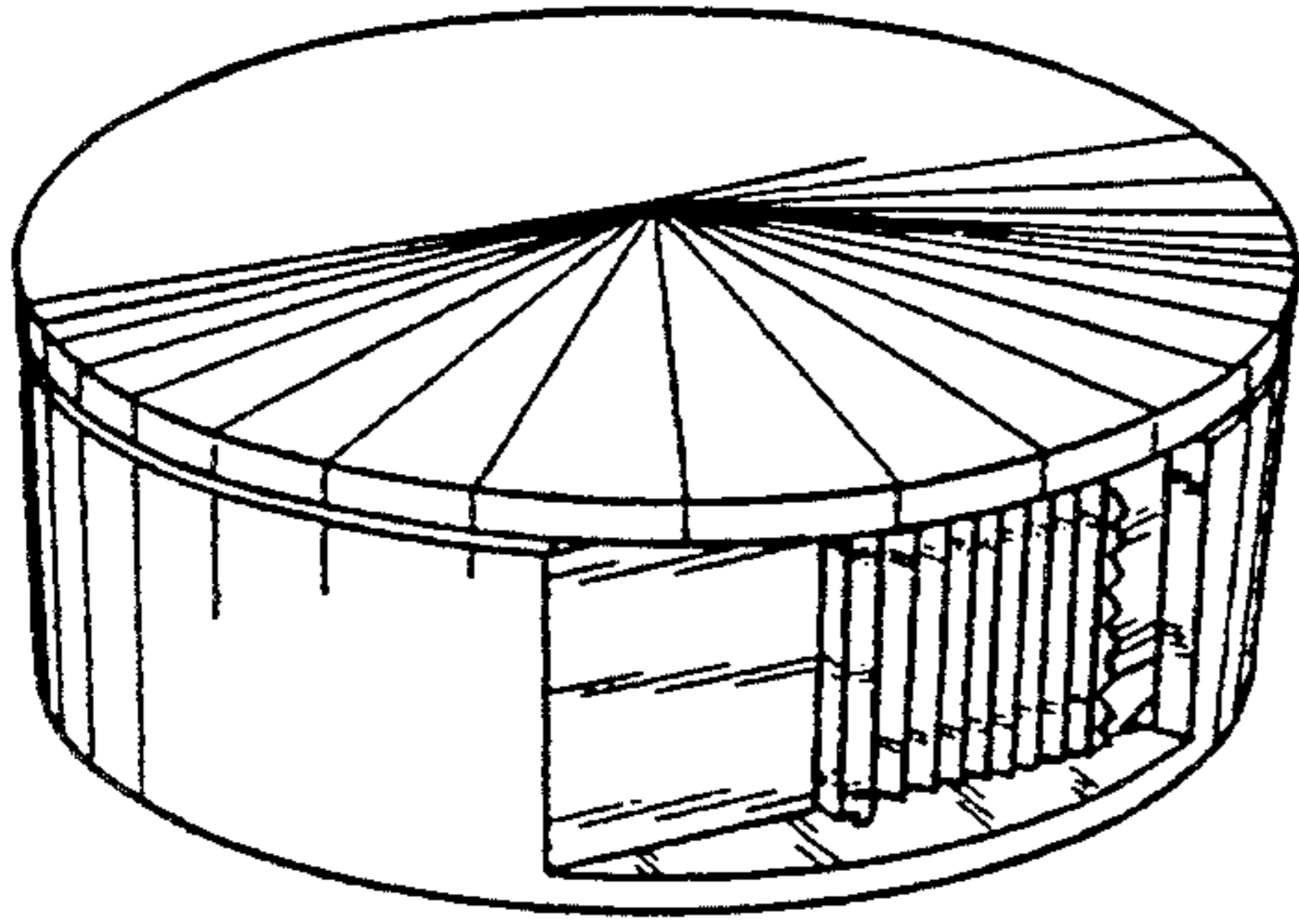


FIG. 1

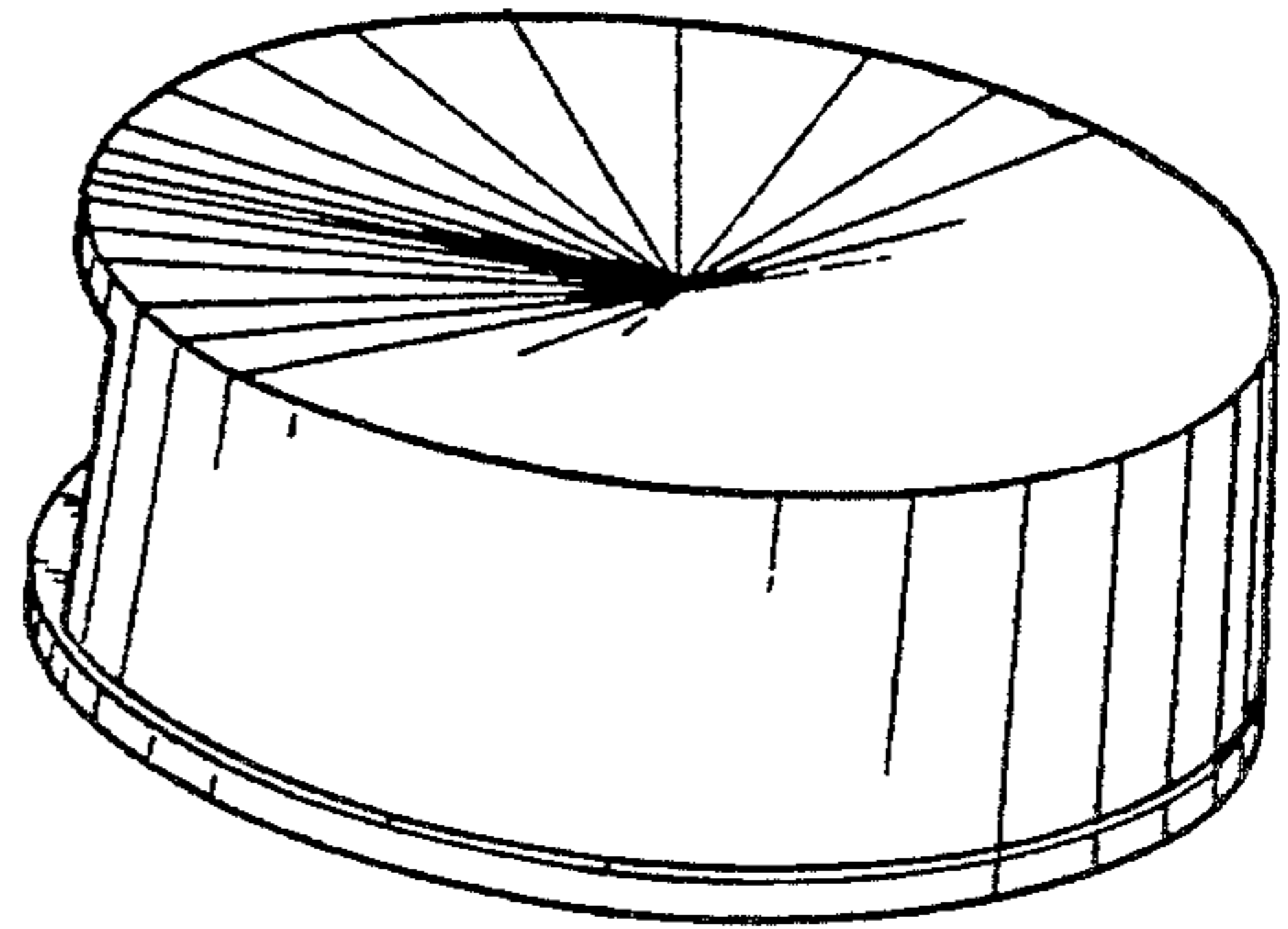


FIG. 2

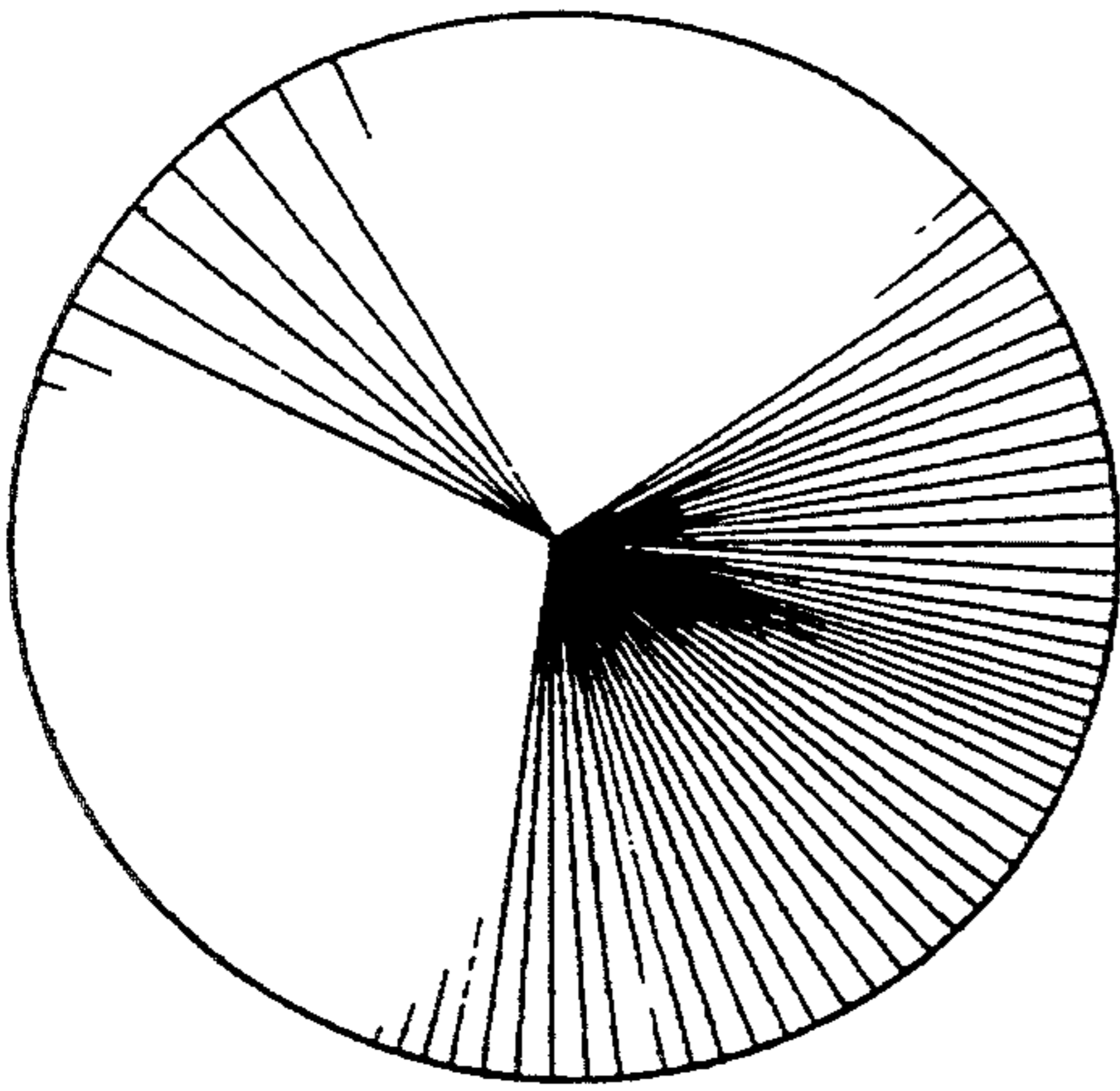


FIG. 3

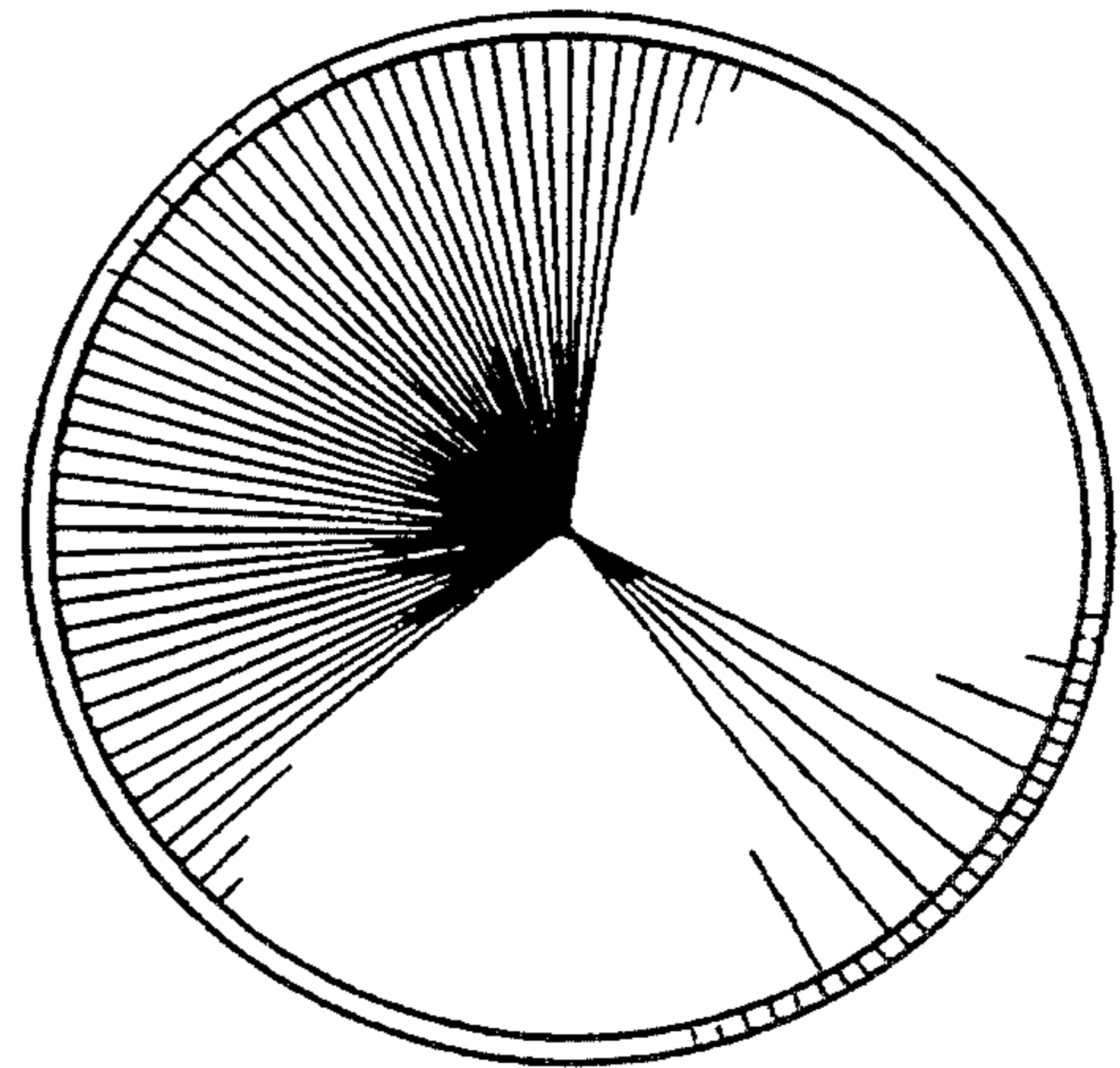


FIG. 4

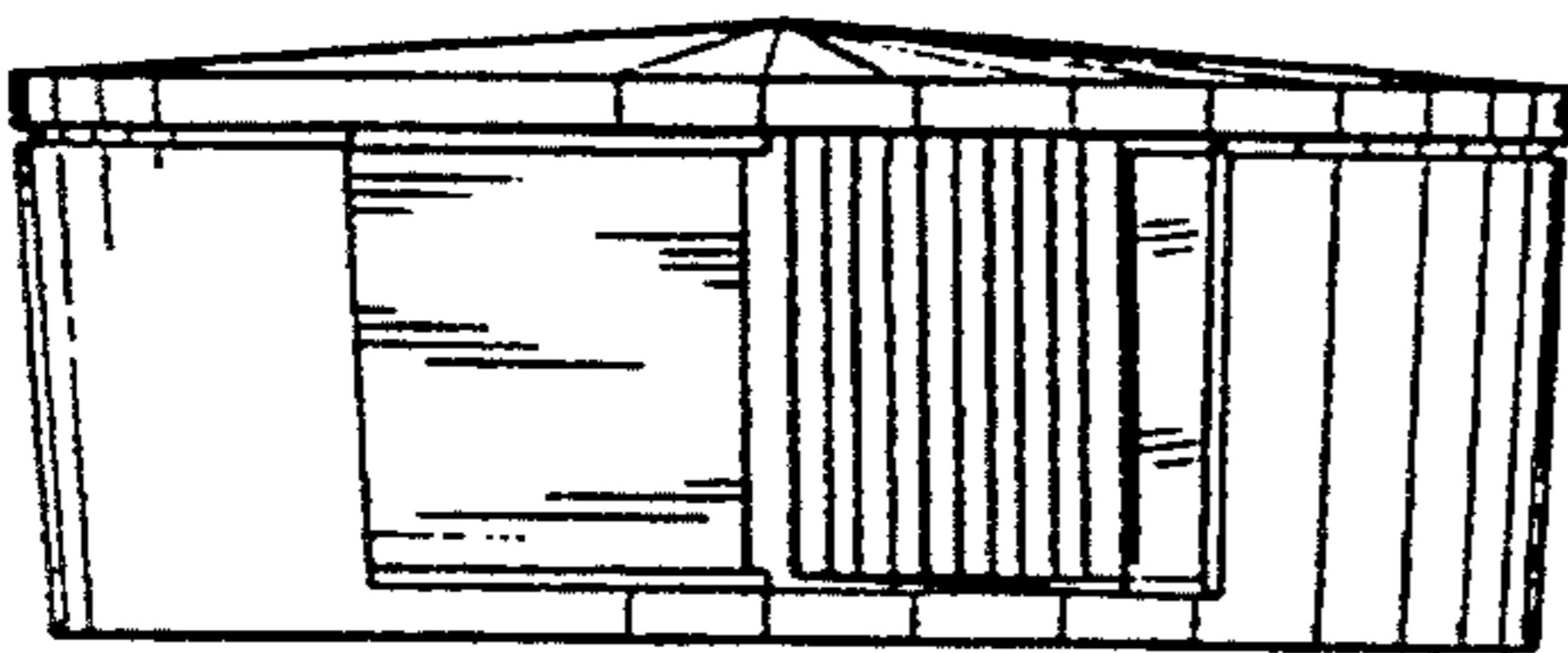


FIG. 5

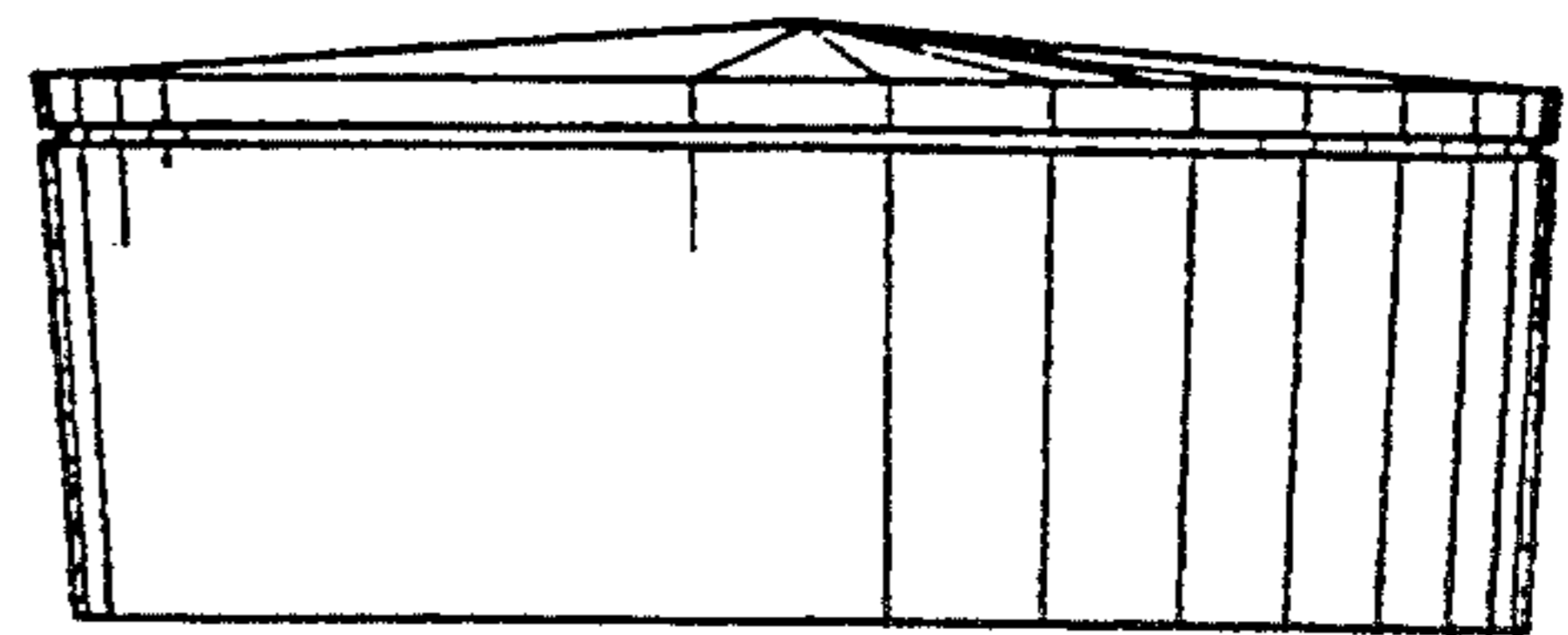


FIG. 6

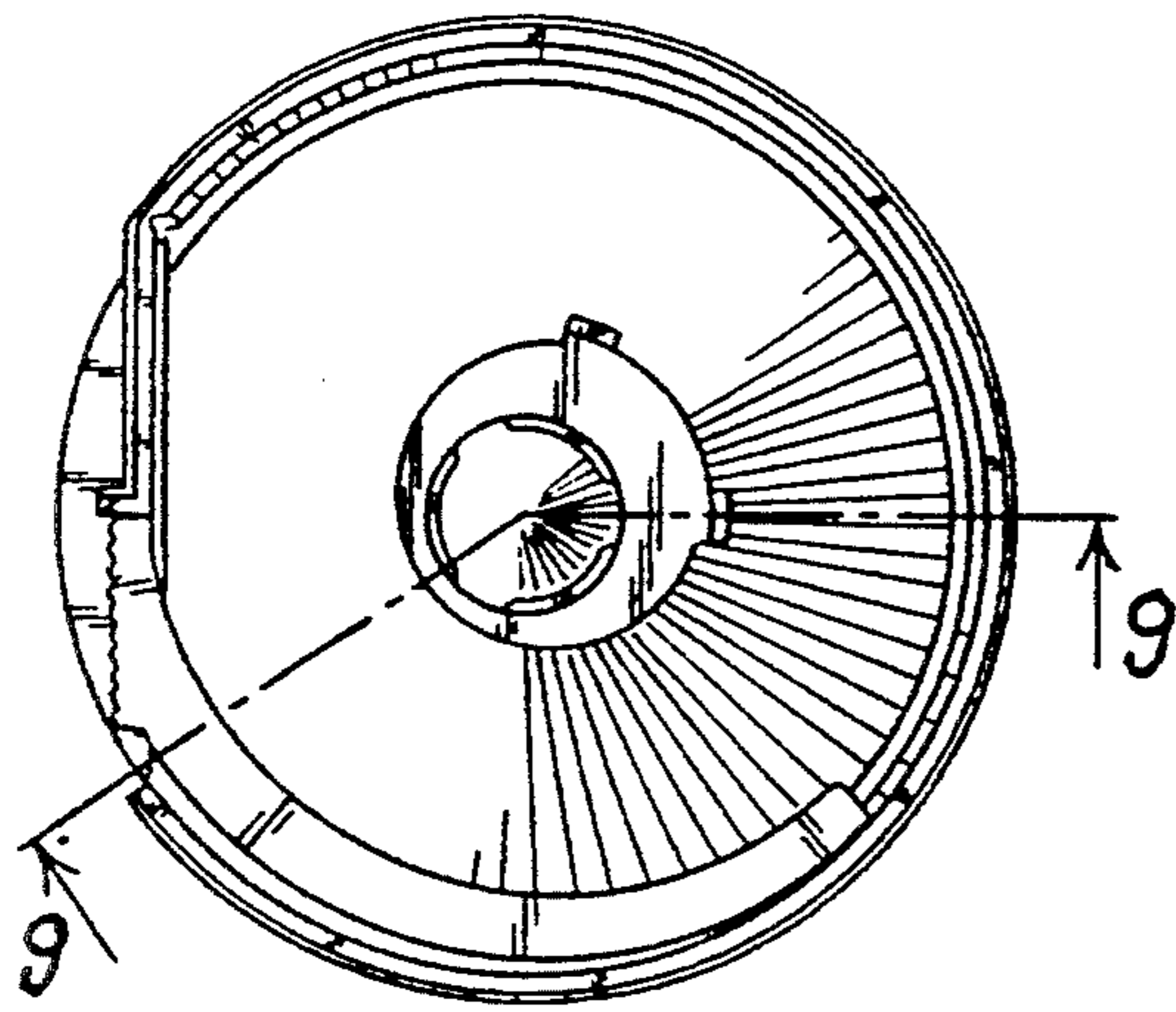


FIG. 7

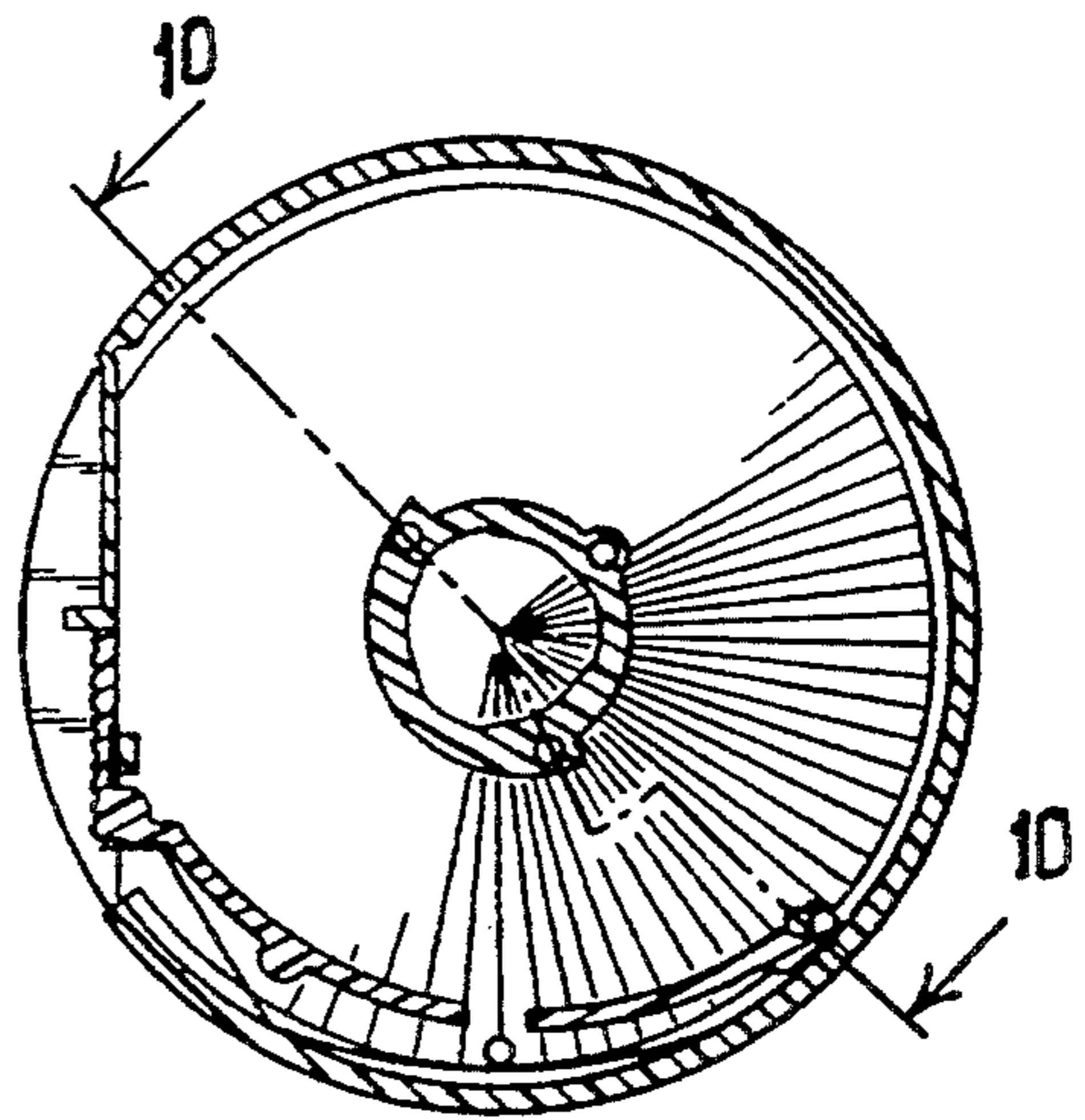


FIG. 8

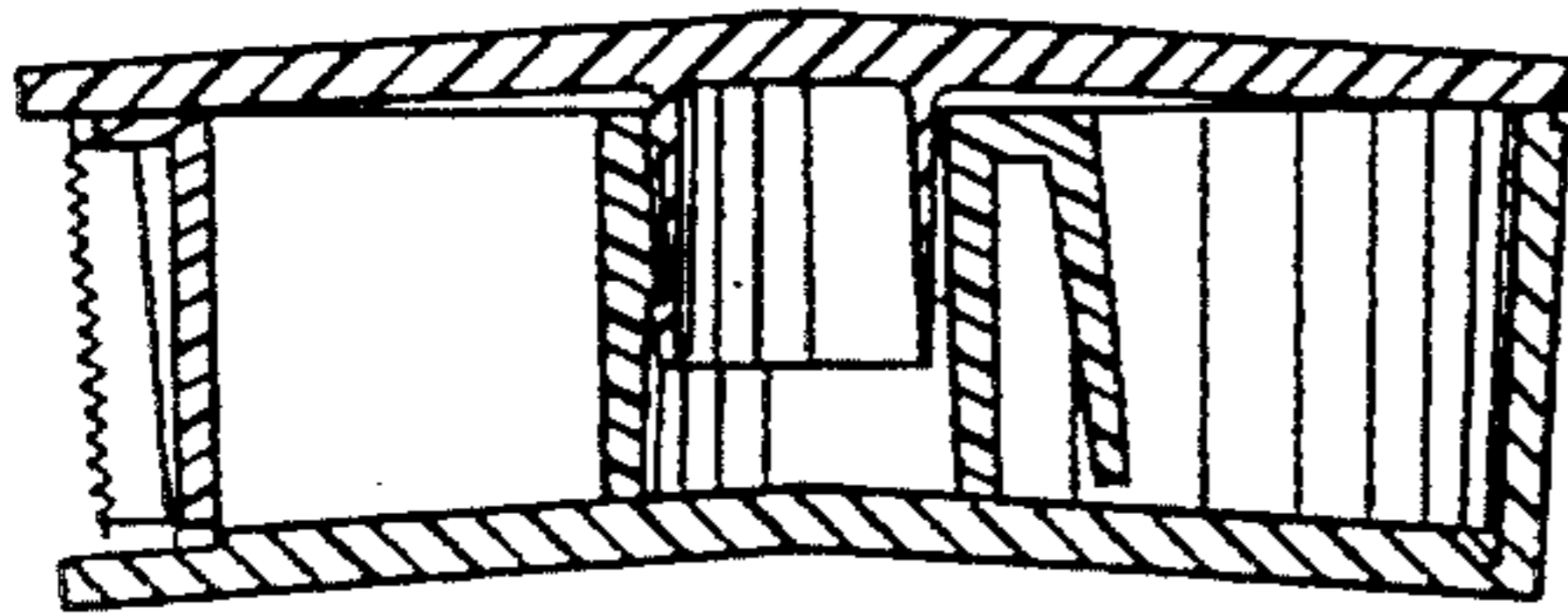


FIG. 9

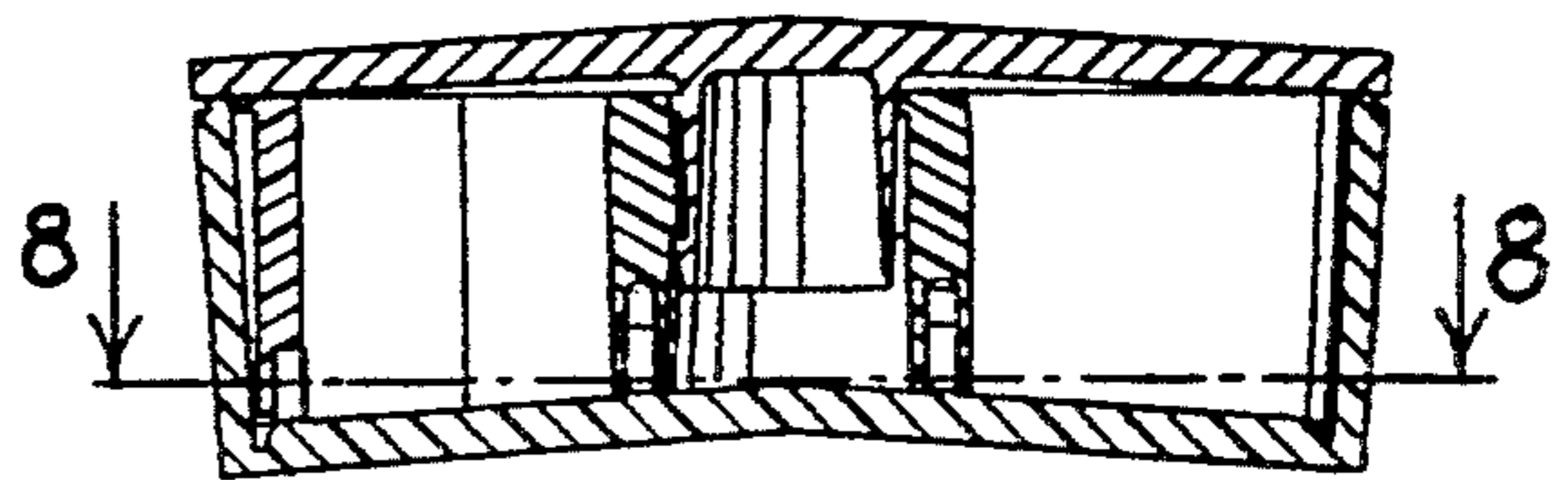


FIG. 10

UNITED STATES PATENT AND TRADEMARK OFFICE
CERTIFICATE OF CORRECTION

PATENT NO. : Des. 361,087
DATED : August 8, 1995
INVENTOR(S) : Bruno NINABER VAN EIJBEN et al.

It is certified that error appears in the above-identified patent and that said Letters Patent is hereby corrected as shown below:

On the title page, items [75] and [19], first inventor name should read

-- Bruno Ninaber van Eijben --,

Signed and Sealed this
Twenty-fifth Day of June, 1996

Attest:



BRUCE LEHMAN

Attesting Officer

Commissioner of Patents and Trademarks