



US00D361085S

United States Patent [19]

[11] Patent Number: **Des. 361,085**

Rose

[45] Date of Patent: **** Aug. 8, 1995**

[54] **SPINDLE FOR AN ENGRAVING MACHINE**

5,277,435 1/1994 Kramer et al. 409/234

[75] Inventor: **Stanley E. Rose, Phoenix, Ariz.**

5,305,525 4/1994 Susnjara et al. 409/231

5,342,155 8/1994 Harroun 409/131

[73] Assignee: **Western Engravers Supply, Inc., Phoenix, Ariz.**

FOREIGN PATENT DOCUMENTS

[**] Term: **14 Years**

48458 3/1982 European Pat. Off. 409/234

3603384 8/1987 Germany 409/234

2021464 12/1992 WIPO 409/234

[21] Appl. No.: **14,704**

OTHER PUBLICATIONS

[22] Filed: **Oct. 29, 1993**

Dapra Corporation brochure for Multi Bore tool of Wohlhaupter; ©1984.

[52] U.S. Cl. **D18/57; D15/140**

[58] Field of Search **D18/57; 279/83, 145; 409/232, 234, 231; 408/239 A, 239 R; D15/140**

Primary Examiner—Cathy Anne MacCormac
Attorney, Agent, or Firm—Cahill, Sutton & Thomas

[56] References Cited

[57] CLAIM

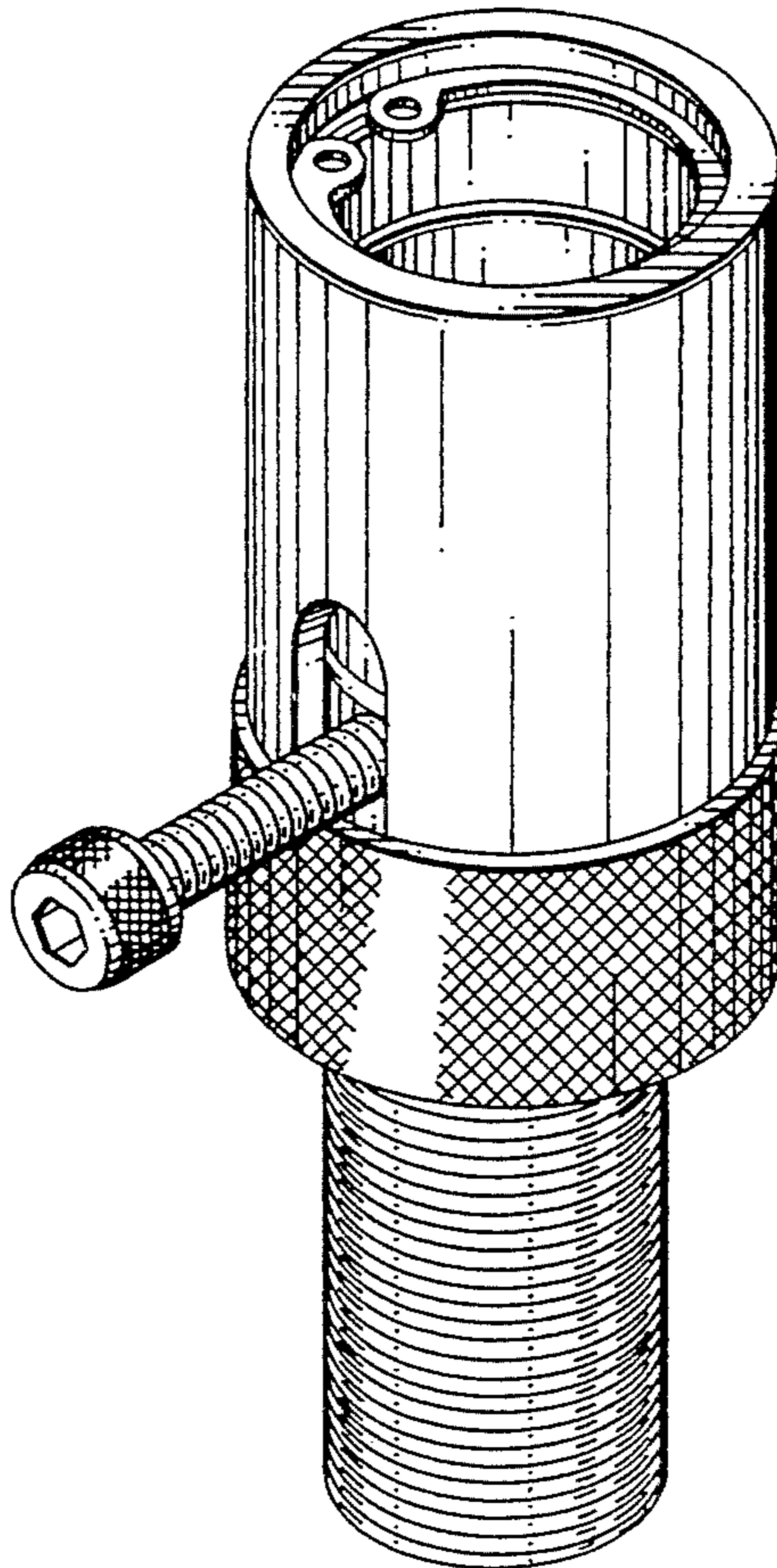
U.S. PATENT DOCUMENTS

The ornamental design for a spindle for an engraving machine, as shown and described.

D. 289,405	4/1987	Nyström	D15/140
D. 291,811	9/1987	Jen	D18/57
D. 330,207	10/1992	Andrews	D15/140
3,144,736	8/1964	Rusk et al.	409/232
3,295,211	1/1967	Nisenson	D18/57
3,298,254	1/1967	Vassallo	D15/140
3,762,827	10/1973	Ziegelmeier	409/231
4,611,960	9/1986	Qenneville et al.	409/234
4,749,316	6/1988	Hendricks	408/239 R
4,834,596	5/1989	Hallifield et al.	409/234
4,874,181	10/1989	Hsu	408/239 A

DESCRIPTION

FIG. 1 is an upper front perspective view of a spindle for an engraving machine showing my new design; FIG. 2 is a rear elevational view thereof; FIG. 3 is a left side elevational view thereof, the right side elevational view being a mirror image thereof; FIG. 4 is a top plan view thereof; and, FIG. 5 is a bottom plan view thereof.



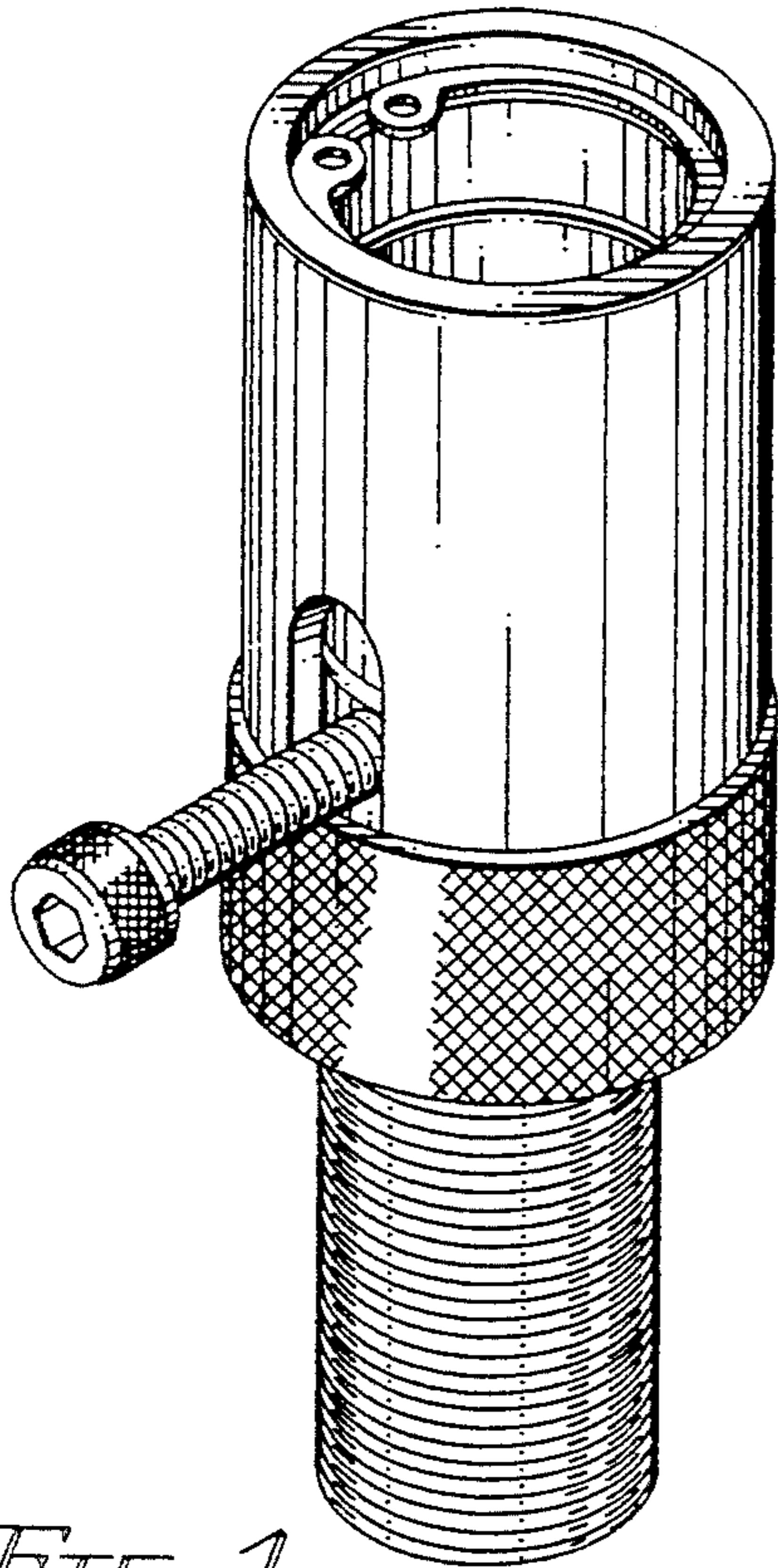


FIG. 1

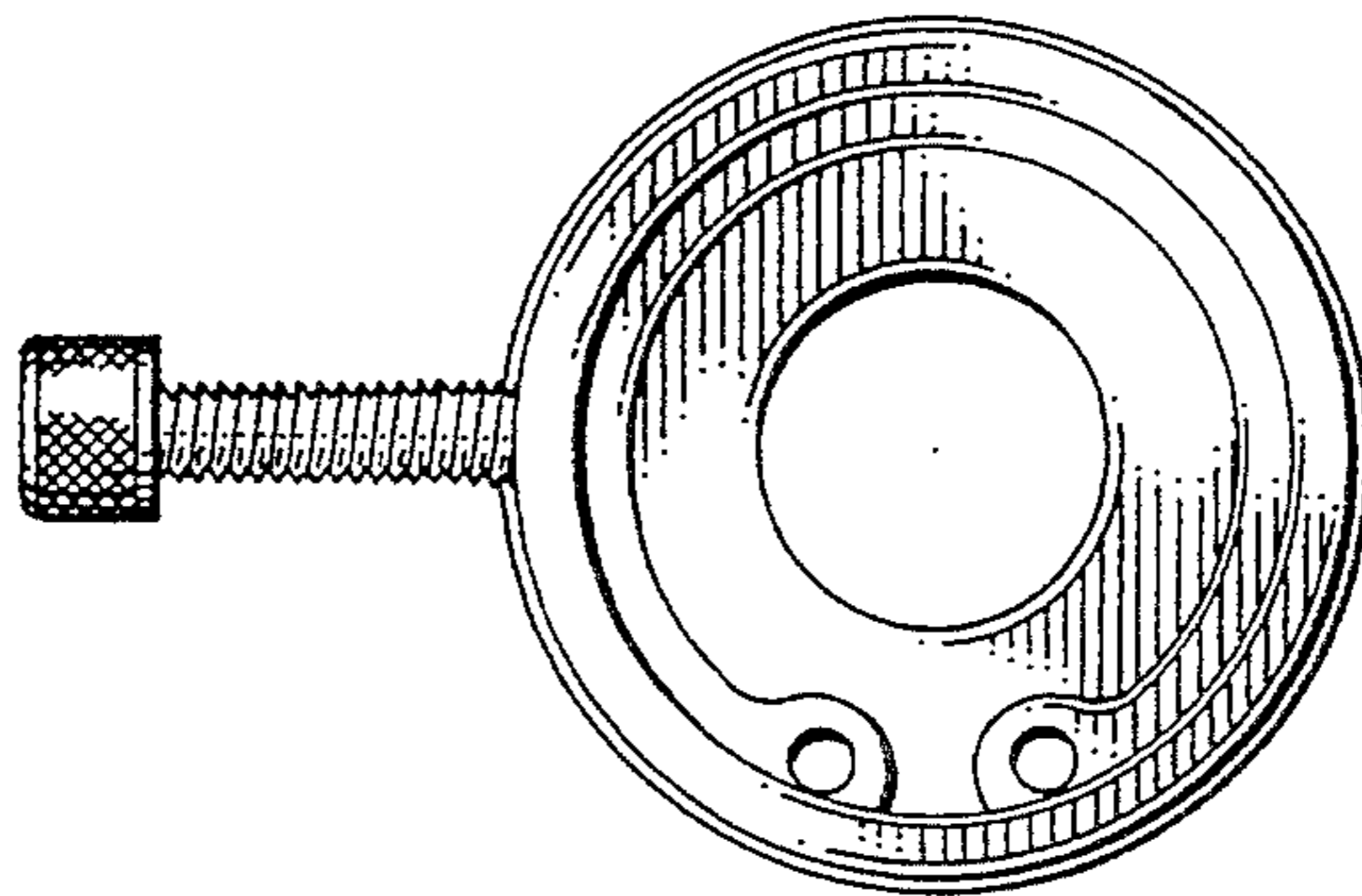


FIG. 4

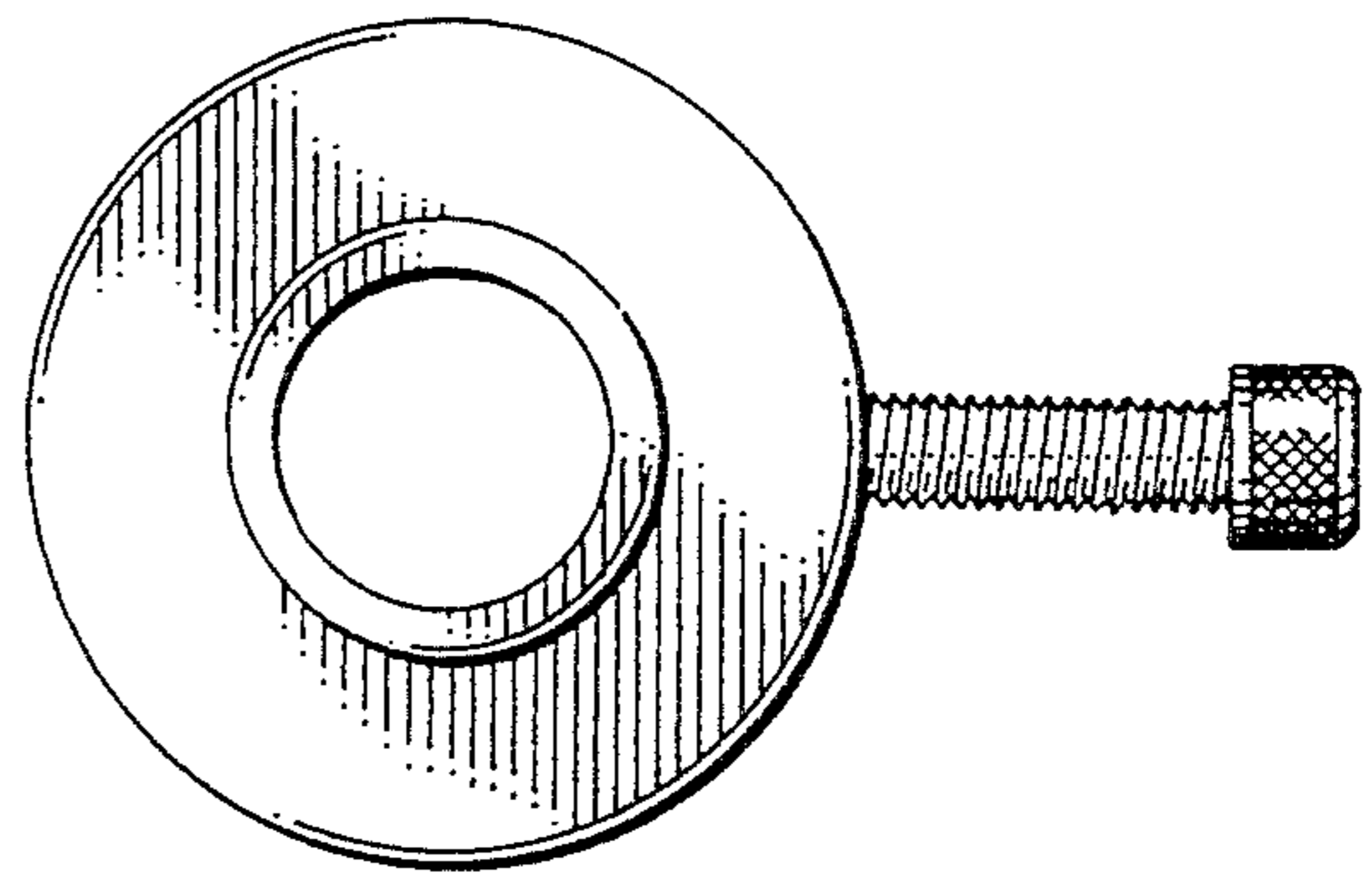


FIG. 5

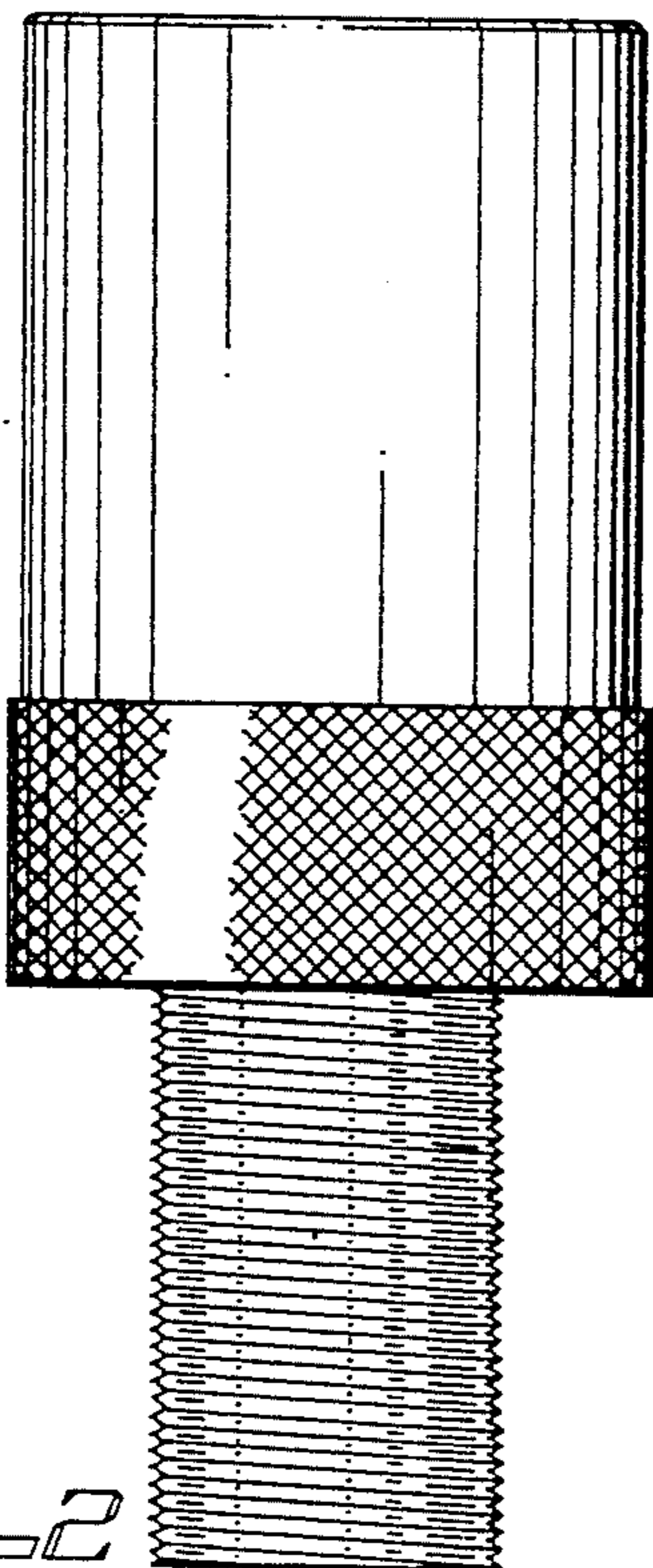


FIG. 2

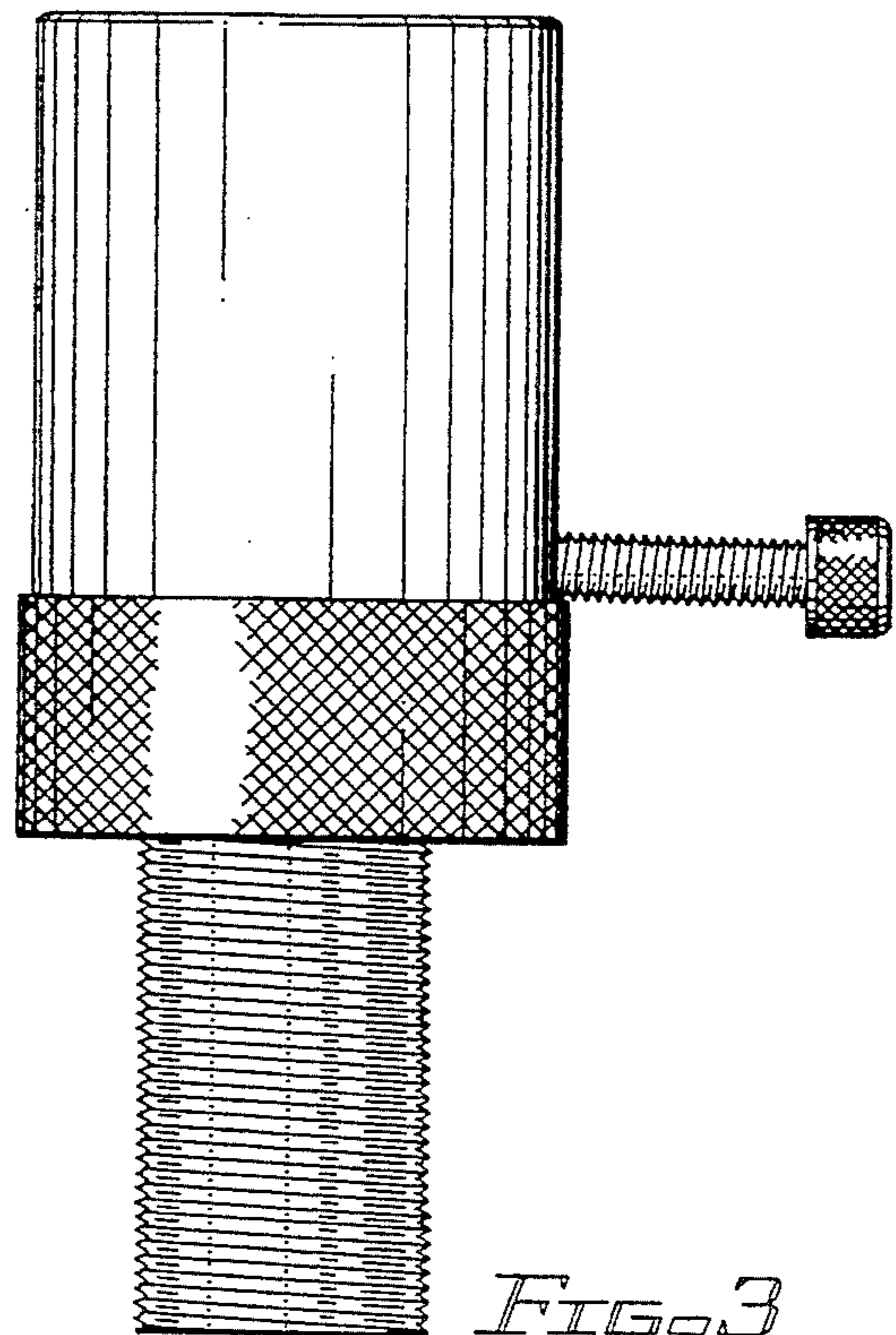


FIG. 3