



US00D361080S

United States Patent [19]

[11] Patent Number: **Des. 361,080**

Collins et al.

[45] Date of Patent: **** Aug. 8, 1995**

[54] **TRANSPARENCY ILLUMINATOR**

[56] **References Cited**

[75] Inventors: **Frederick Collins**, London; **Roger L. Beale**, Ruislip; **Sidney Grant**, London, all of United Kingdom

U.S. PATENT DOCUMENTS

D. 269,350	6/1983	Lermann et al.	D16/225
D. 280,517	9/1985	Alsup, Jr. et al.	D16/225
2,755,585	7/1956	Lubow	40/367

[73] Assignee: **Medivance Instruments Limited**, London, England

Primary Examiner—Susan J. Lucas
Attorney, Agent, or Firm—Flynn, Thiel, Boutell & Tanis

[**] Term: **14 Years**

[57] CLAIM

The ornamental design for a transparency illuminator, as shown.

[21] Appl. No.: **17,141**

DESCRIPTION

[22] Filed: **Jan. 5, 1994**

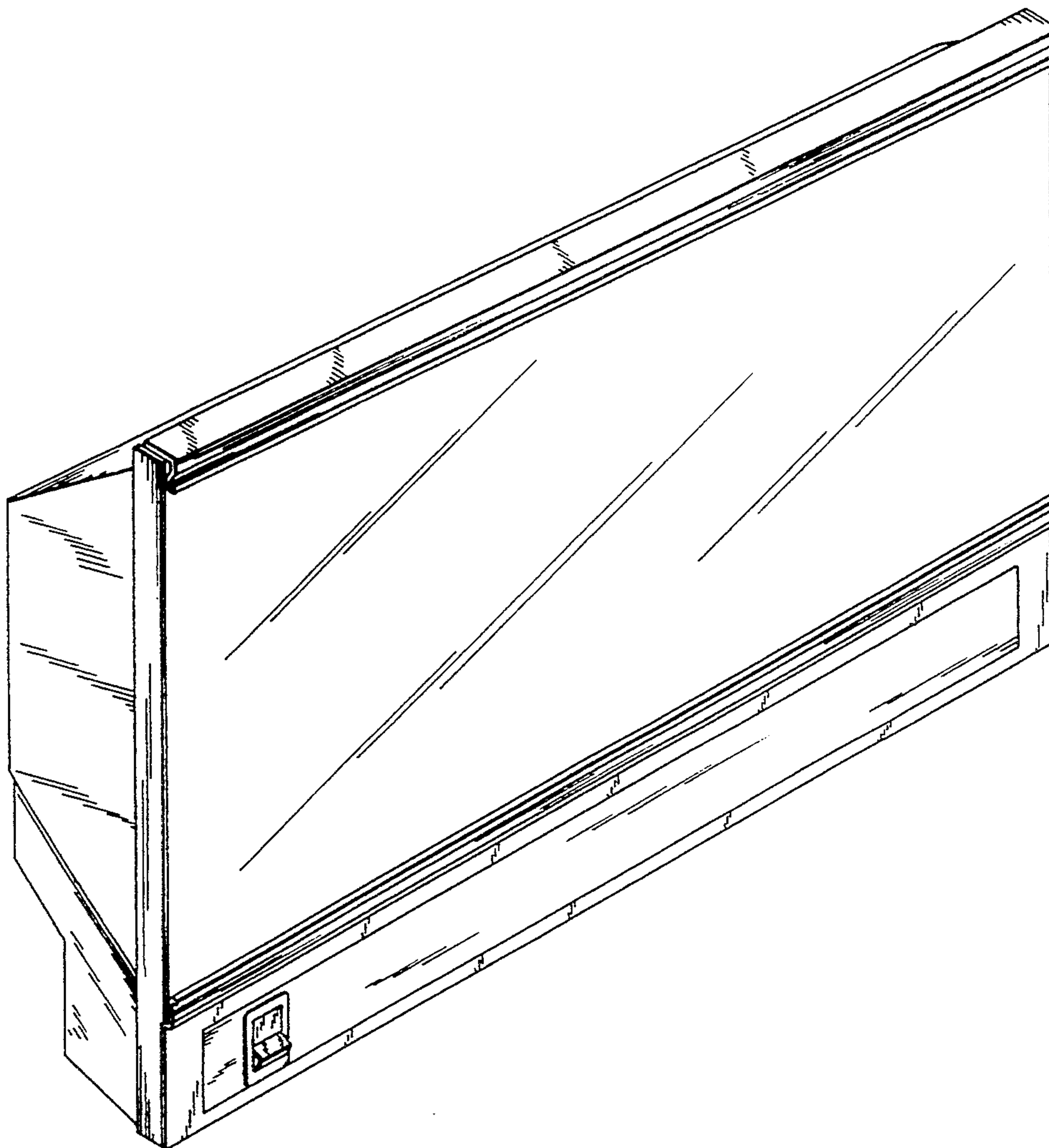
FIG. 1 is a front perspective view of a transparency illuminator embodying the new design; FIG. 2 is a rear perspective view of the transparency illuminator shown in FIG. 1; FIG. 3 is a view of the underside of the transparency illuminator shown in FIG. 1; and, FIG. 4 is a view of one side of the transparency illuminator shown in FIG. 1.

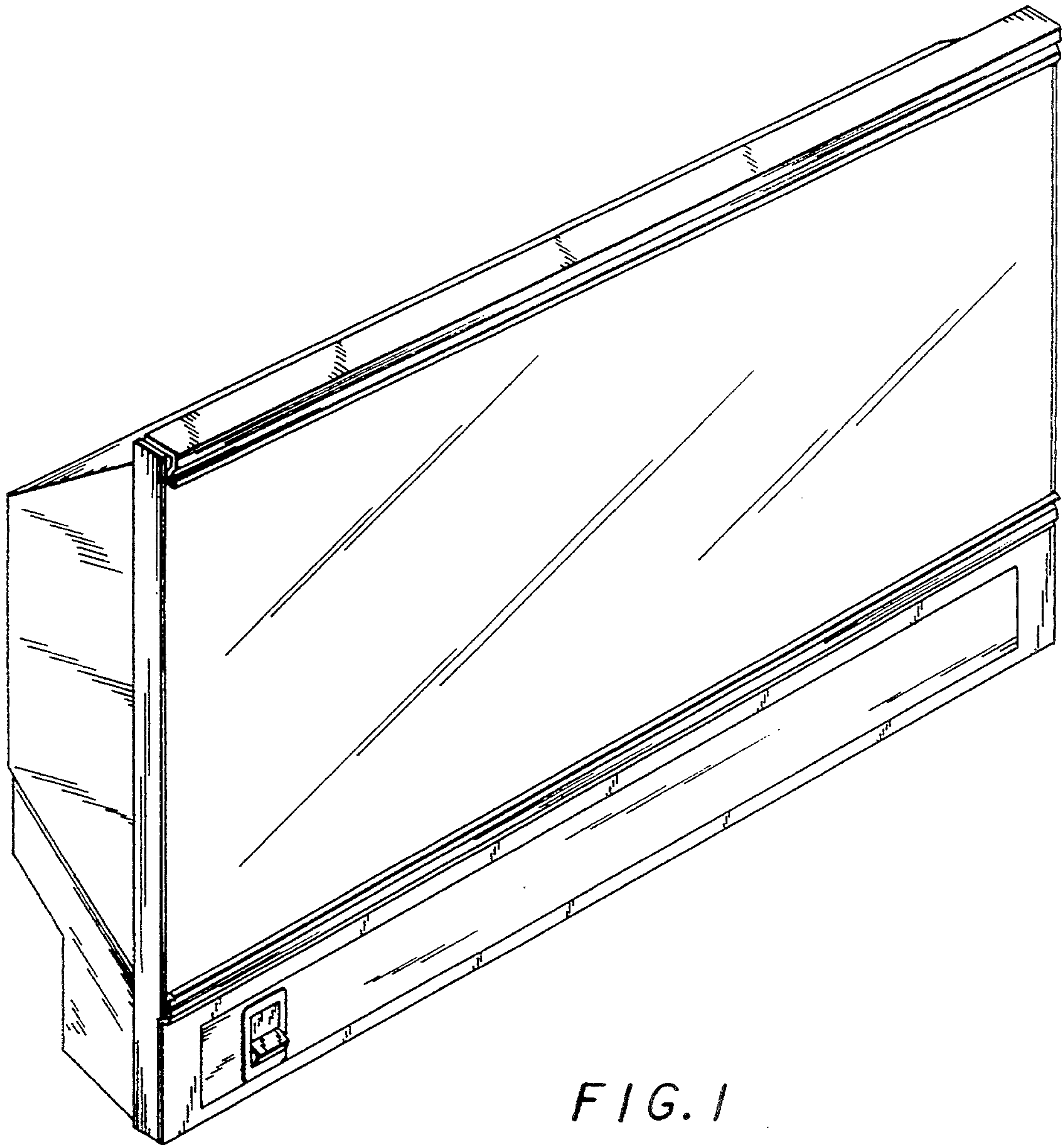
[30] Foreign Application Priority Data

Jul. 5, 1993 [GB] United Kingdom 2032160

[52] U.S. Cl. **D16/225**

[58] Field of Search D16/221, 225; D20/10; 40/361-367; 362/97





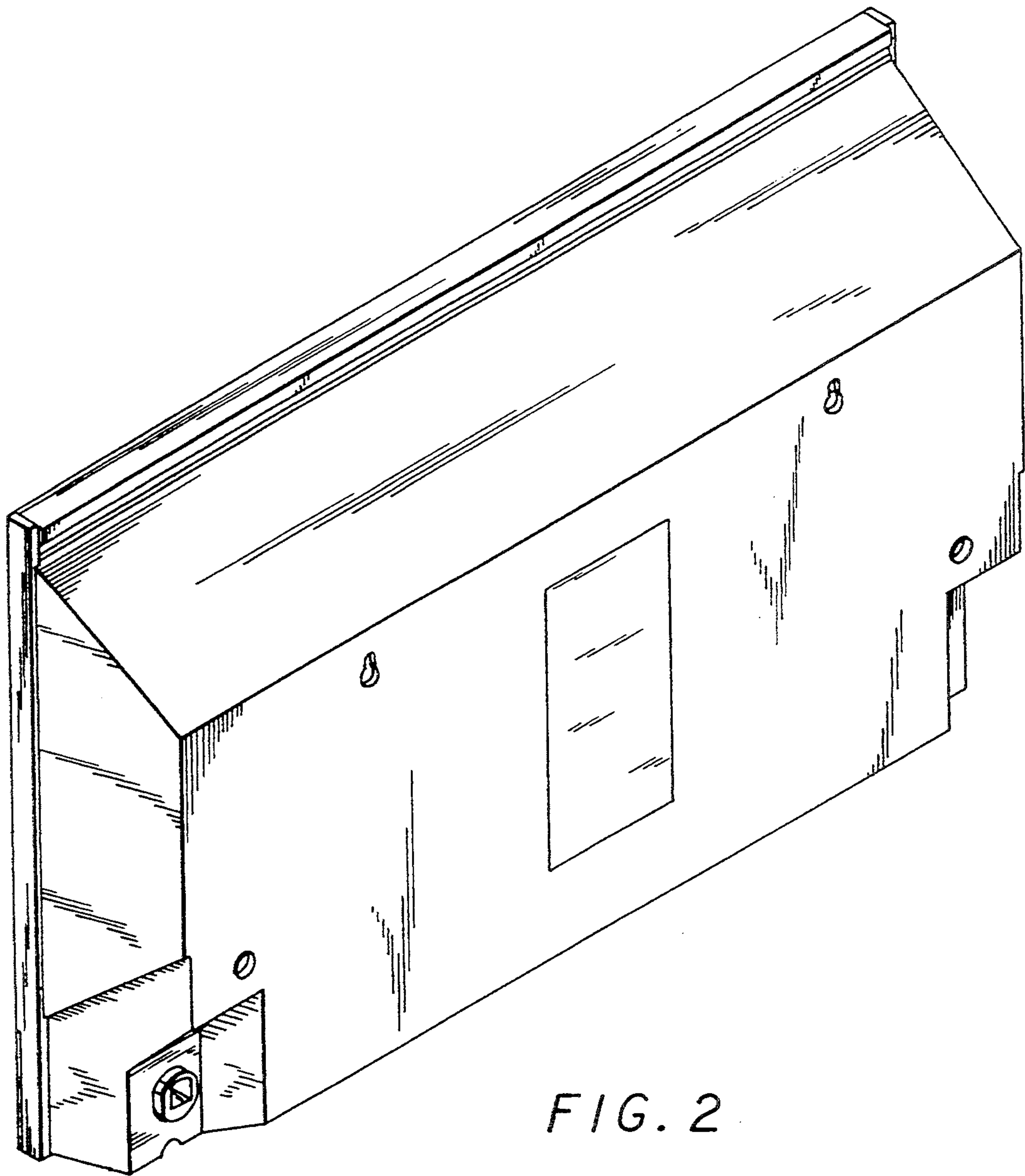


FIG. 2

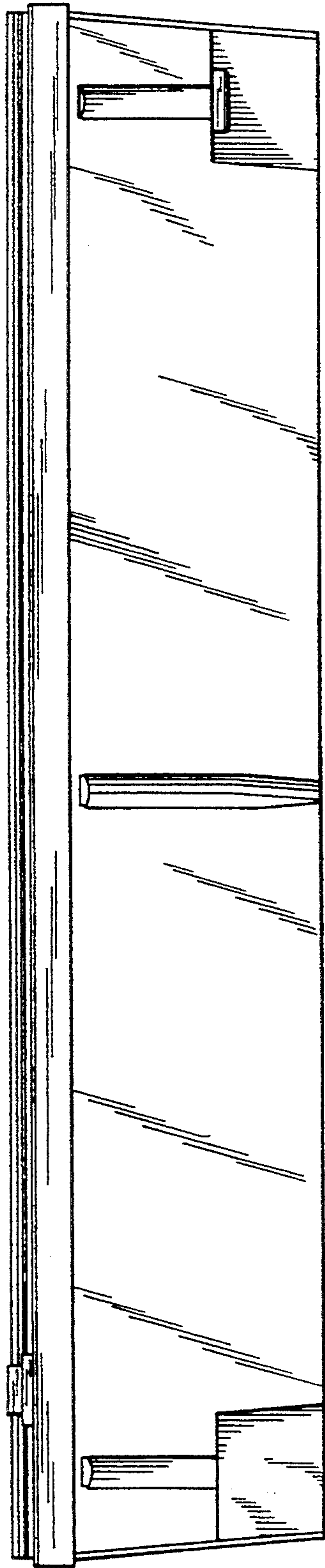


FIG. 3

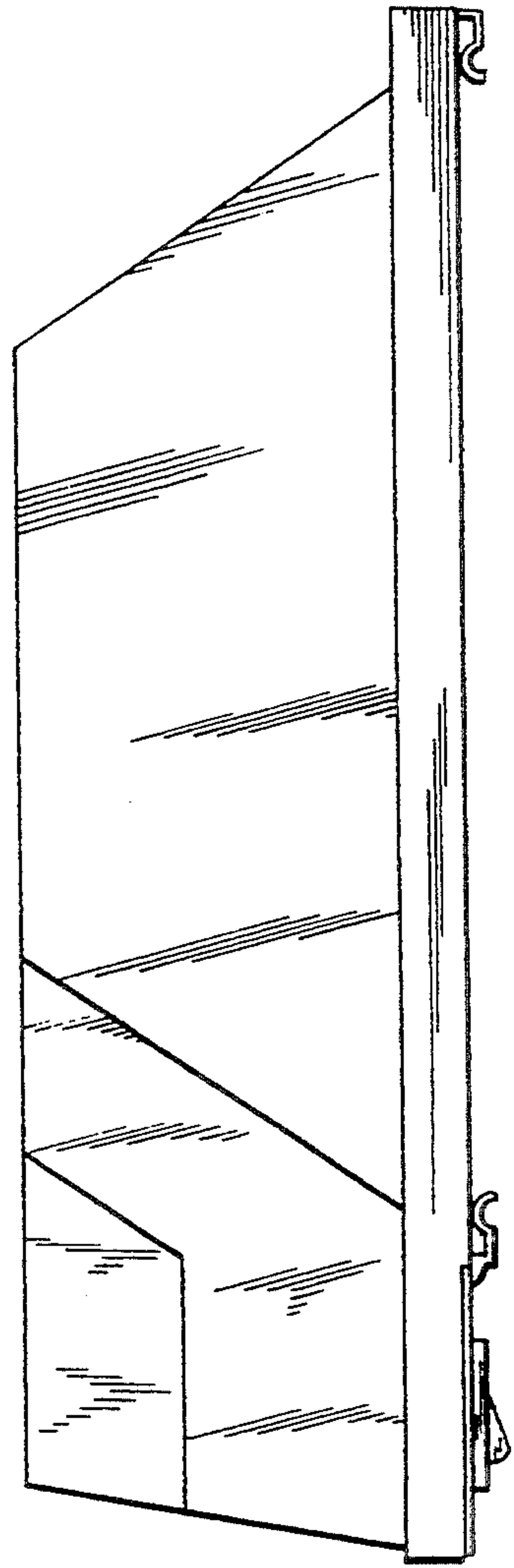


FIG. 4