



US00D361078S

United States Patent [19]

[11] Patent Number: **Des. 361,078**

Atamian

[45] Date of Patent: **** Aug. 8, 1995**

[54] **HAND-HELD MICROSCOPE**

[75] Inventor: **George C. Atamian, Upland, Calif.**

[73] Assignee: **Educational Insights, Inc.,
Dominguez Hills, Calif.**

[**] Term: **14 Years**

[21] Appl. No.: **16,917**

[22] Filed: **Dec. 29, 1993**

[52] U.S. Cl. **D16/131**

[58] Field of Search **D16/131, 130; 359/799,
359/801, 823, 817, 396, 391**

4,729,635 3/1988 Saferstein et al. D16/131 X
4,737,016 4/1988 Russell et al. 359/801
5,062,697 11/1991 Mitchell D16/131 X

Primary Examiner—Doris V. Coles
Attorney, Agent, or Firm—Blakely, Sokoloff, Taylor & Zafman

[57] **CLAIM**

The ornamental design for a hand-held microscope, as shown and described.

DESCRIPTION

FIG. 1 is a front perspective view of a hand held microscope, showing my new design;
FIG. 2 is a front elevational view thereof;
FIG. 3 is a rear elevational view thereof;
FIG. 4 is a bottom plan view thereof;
FIG. 5 is a top plan view thereof;
FIG. 6 is a right side elevational view thereof; and,
FIG. 7 is a left side elevational view thereof.

[56] **References Cited**

U.S. PATENT DOCUMENTS

D. 313,421 1/1991 Dickinson D16/131
D. 331,934 12/1992 Tak D16/131
D. 342,749 12/1993 Dhuruvasangary et al. D16/131
4,361,377 11/1982 Pullen 359/385

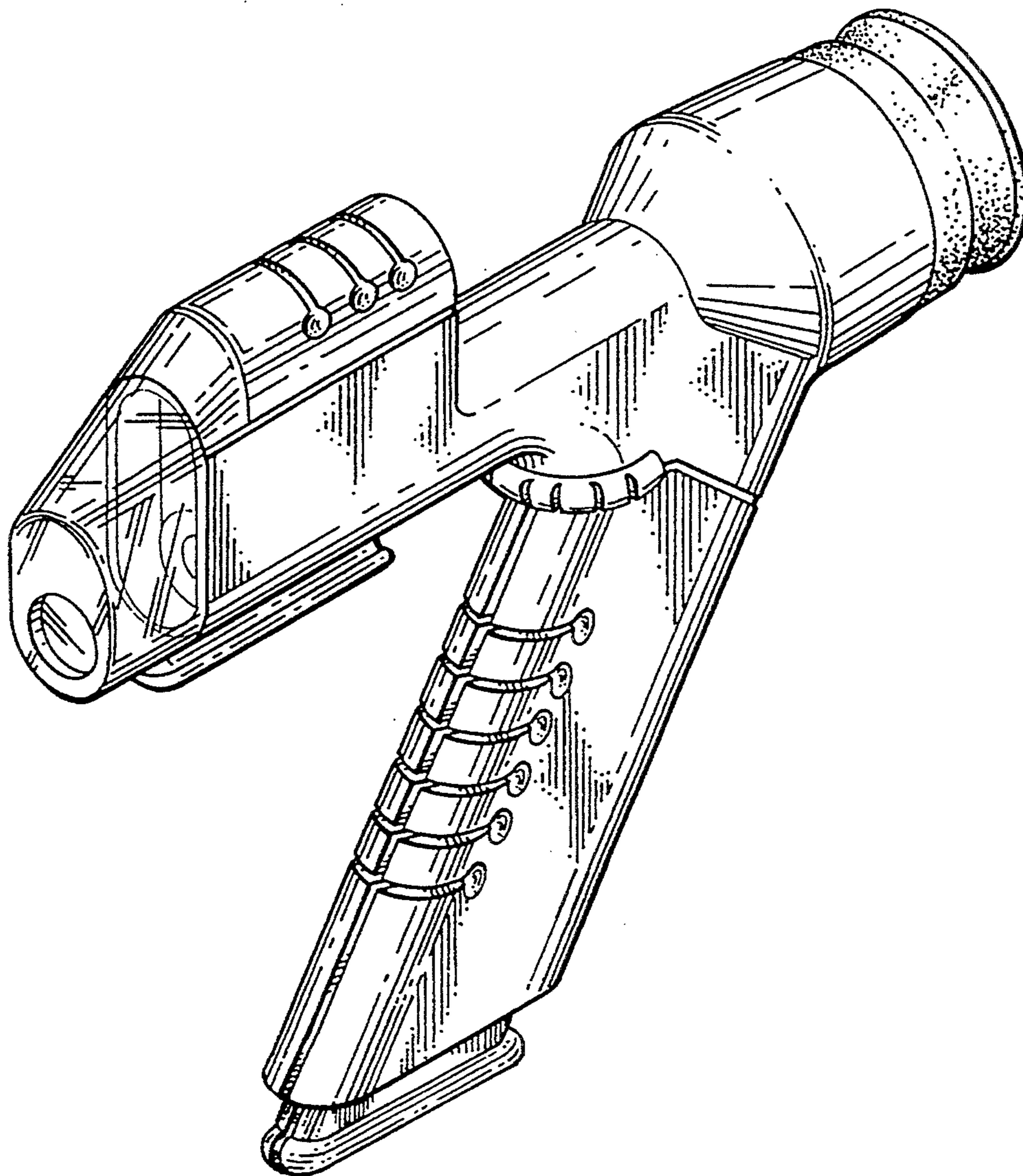


FIG. 1

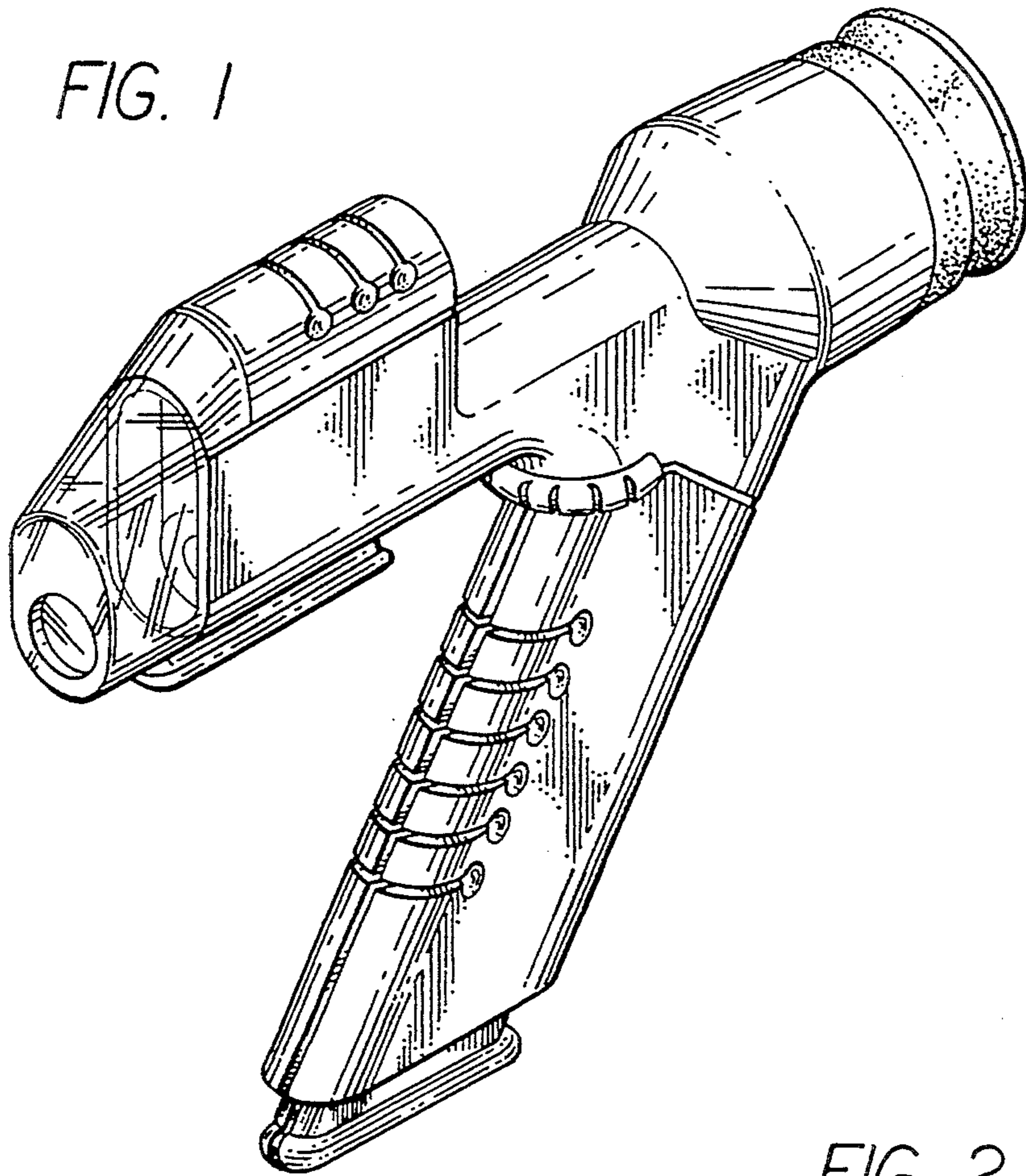


FIG. 2

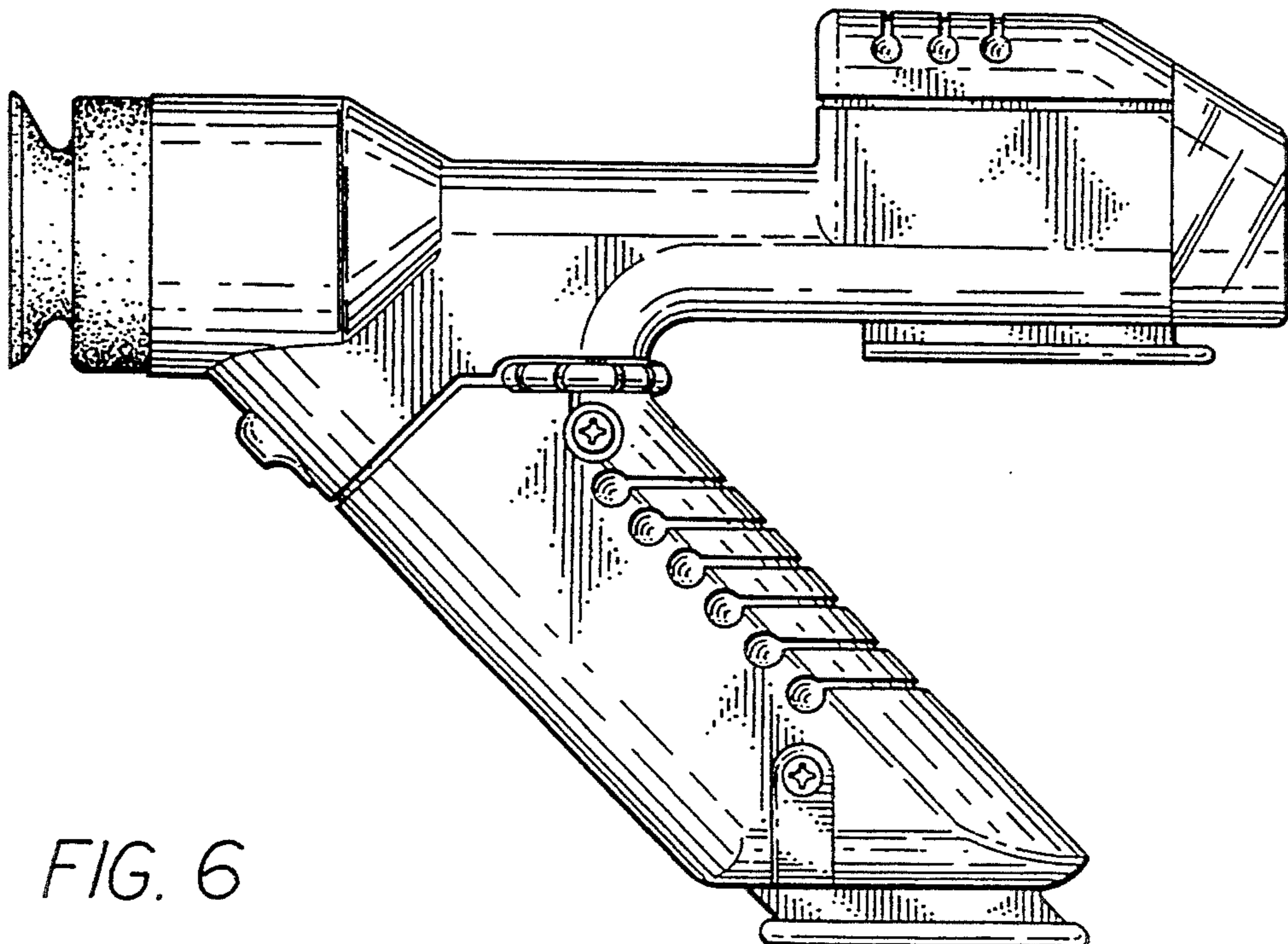
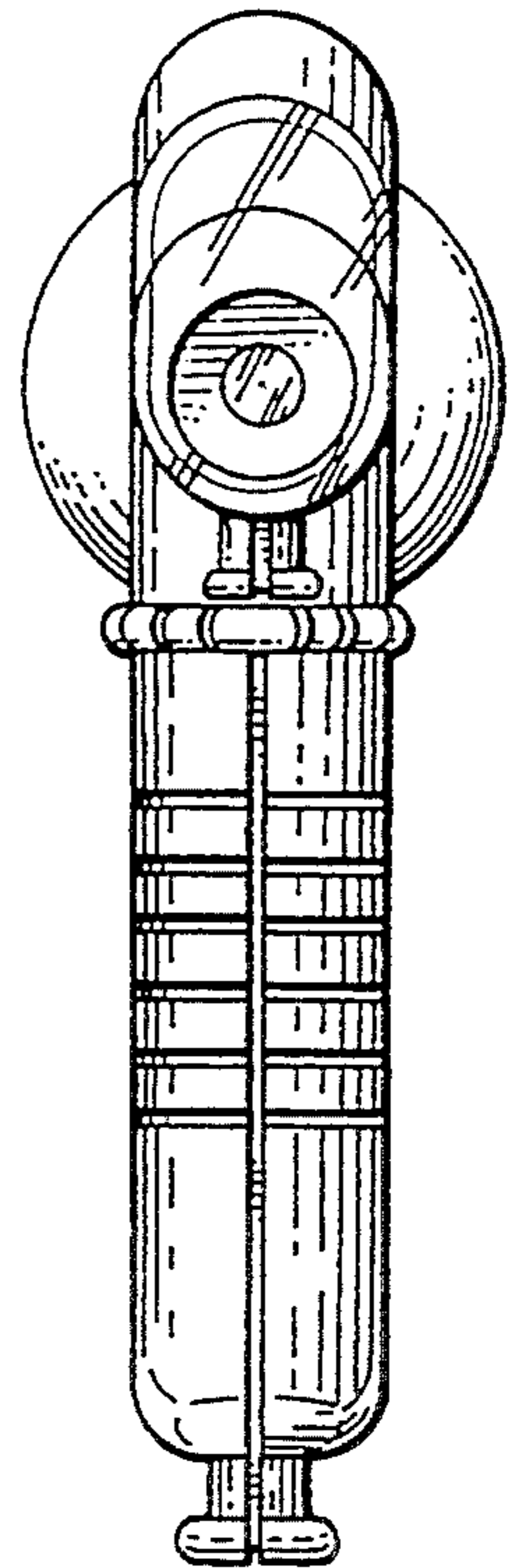


FIG. 6

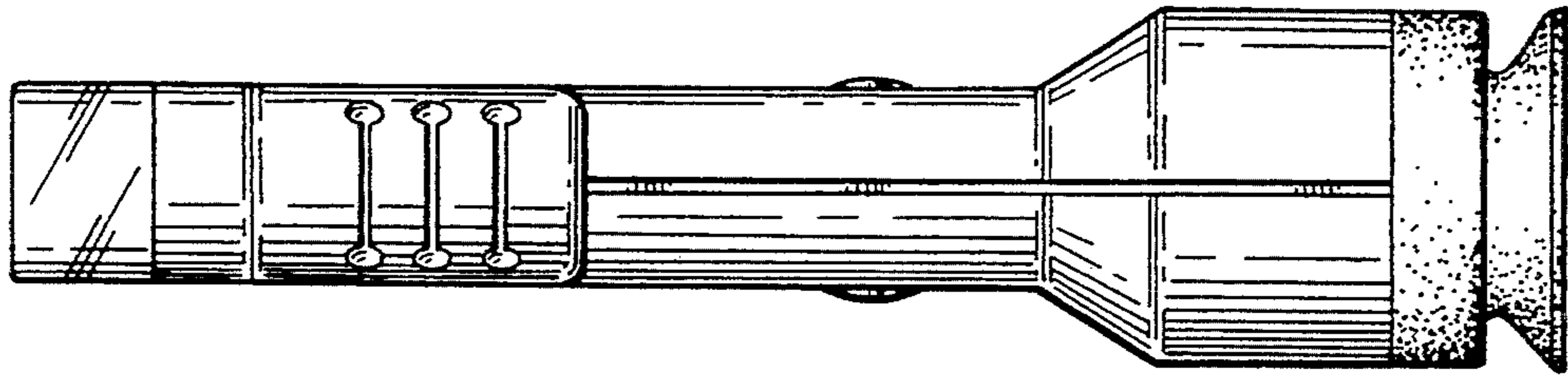


FIG. 5

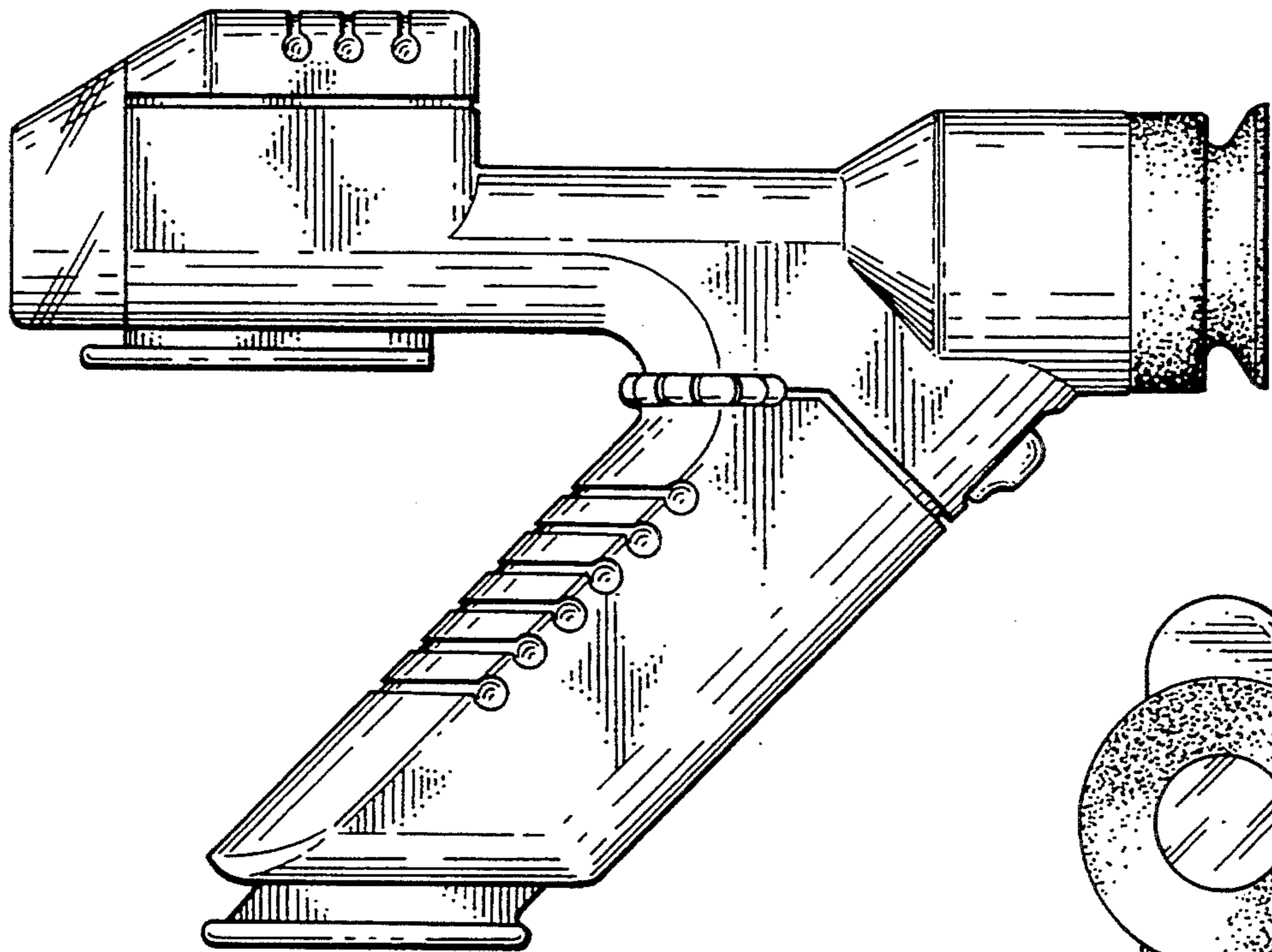


FIG. 7

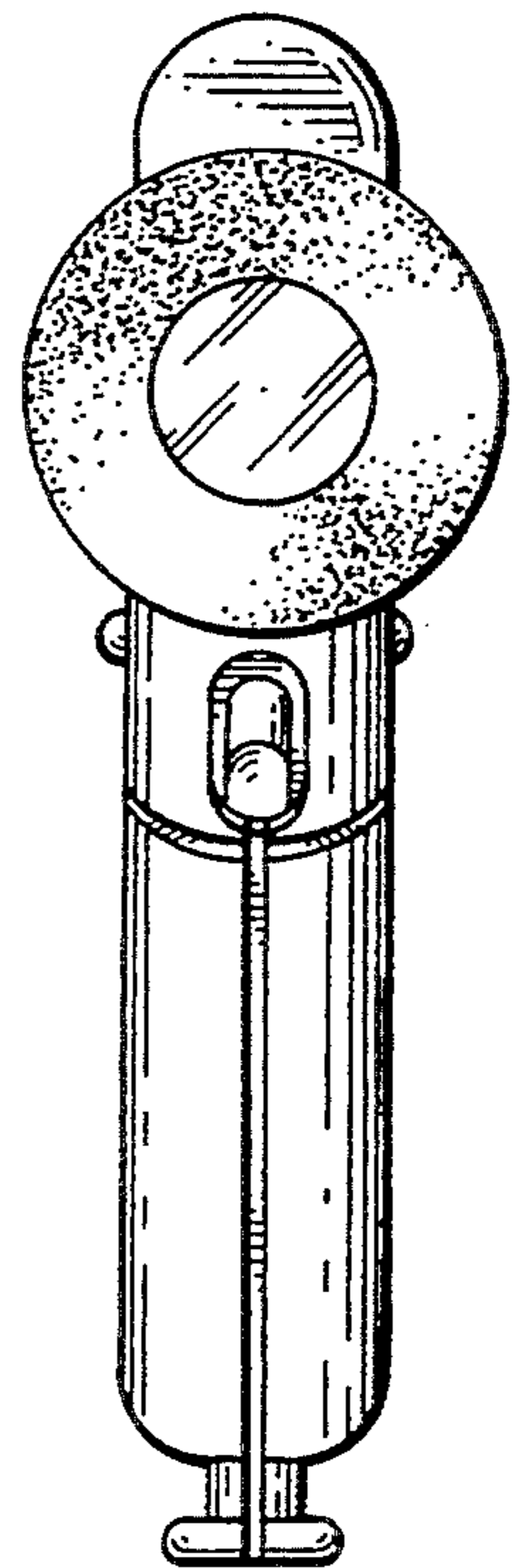


FIG. 3

FIG. 4

