



US00D361077S

United States Patent [19]

[11] Patent Number: **Des. 361,077**

Jamison

[45] Date of Patent: **** Aug. 8, 1995**

[54] **SOLID LUBRICANT BLOCK**

[75] Inventor: **Warren E. Jamison**, Edmonds, Wash.

[73] Assignee: **E/M Corporation**, West Lafayette, Ind.

[**] Term: **14 Years**

[21] Appl. No.: **848,328**

[22] Filed: **Mar. 9, 1992**

[52] U.S. Cl. **D15/150**

[58] Field of Search **D15/150, 151, 152; D25/112, 113, 114, 115, 116, 117; 184/3.2, 3.1**

[56] **References Cited**

U.S. PATENT DOCUMENTS

D. 213,074	12/1968	Griffith et al.	D25/113 X
905,531	12/1908	Hicks	184/3.2
2,882,715	4/1959	Zagray	D25/117 X
2,936,806	5/1960	Harper	D25/117 X

Primary Examiner—Antoine Duval Davis

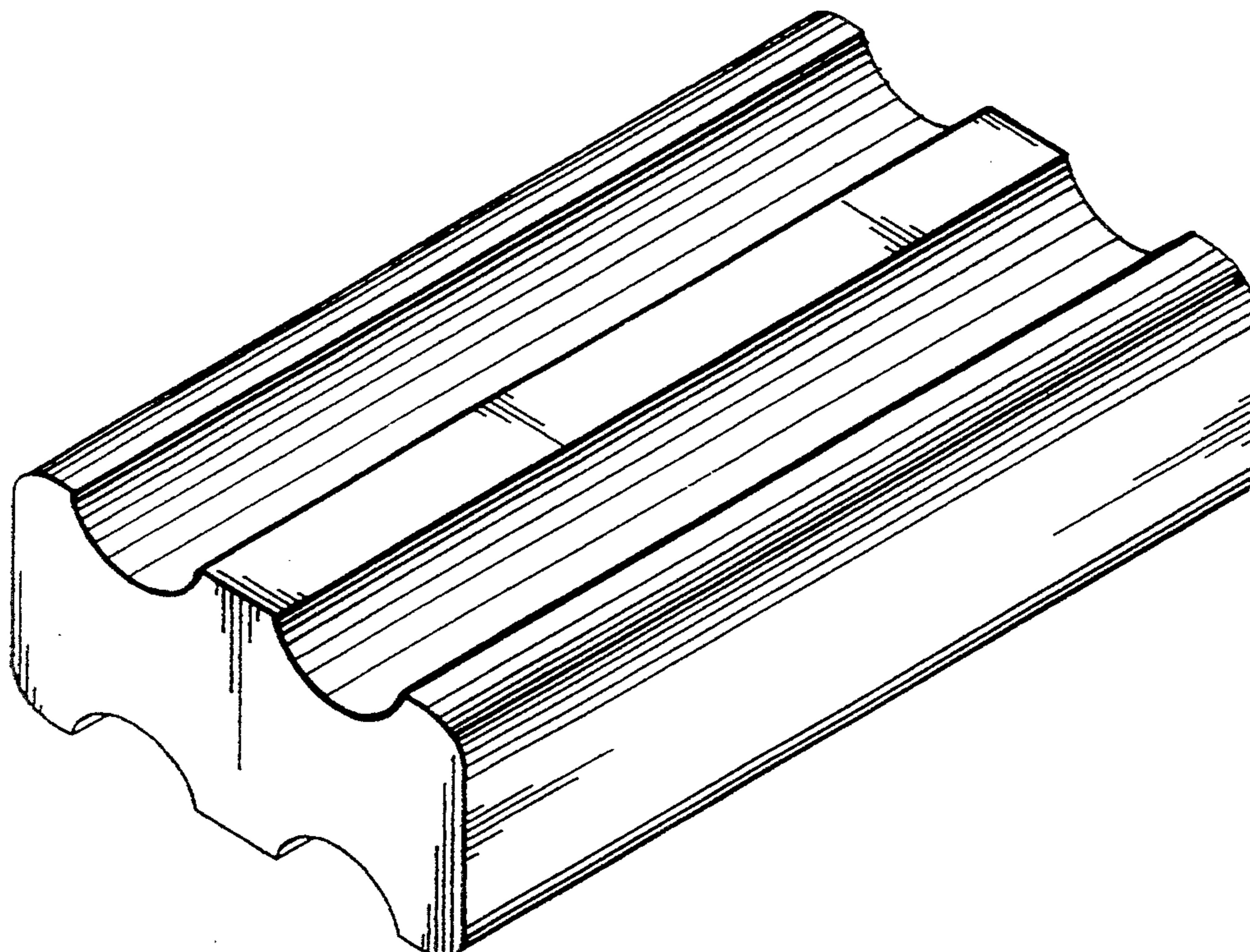
Attorney, Agent, or Firm—Ronald M. Anderson

[57] **CLAIM**

The ornamental design for a solid lubricant block, as shown and described.

DESCRIPTION

FIG. 1 is an isometric view of a solid lubricant block showing a first embodiment of my new design;
 FIG. 2 is a right side elevational view of the first embodiment, the left side being a mirror image thereof;
 FIG. 3 is a front side elevational view of the first and a second embodiment of the solid lubricant block, the back side being a mirror image thereof;
 FIG. 4 is a top plan view of the first and the second embodiment, the bottom of the first embodiment being a mirror image thereof;
 FIG. 5 is an isometric view of the second embodiment;
 FIG. 6 is a right side elevational view of the second embodiment, the left side being a mirror image thereof;
 and,
 FIG. 7 is a bottom plan view of the second embodiment.



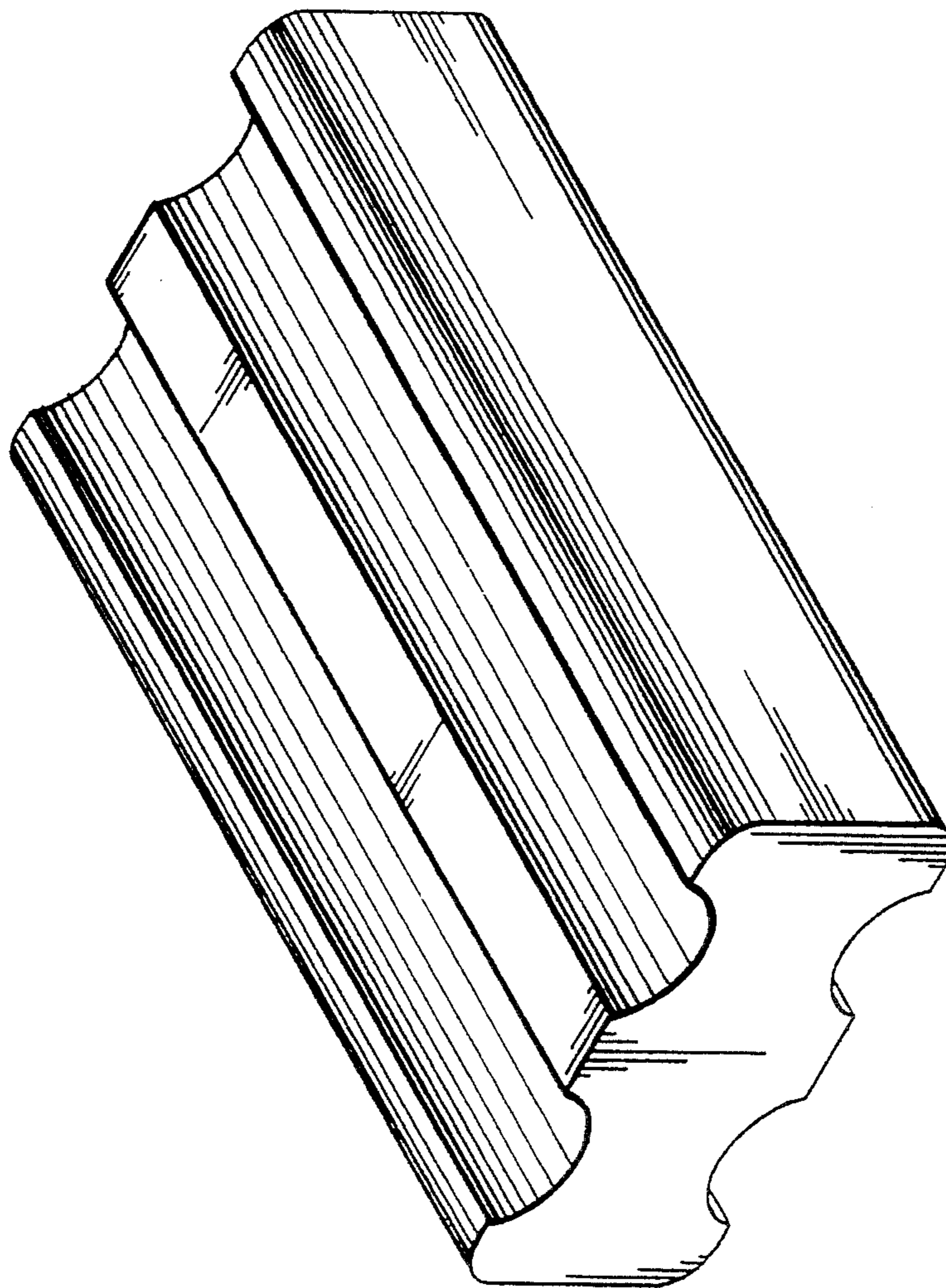


FIG. 1.

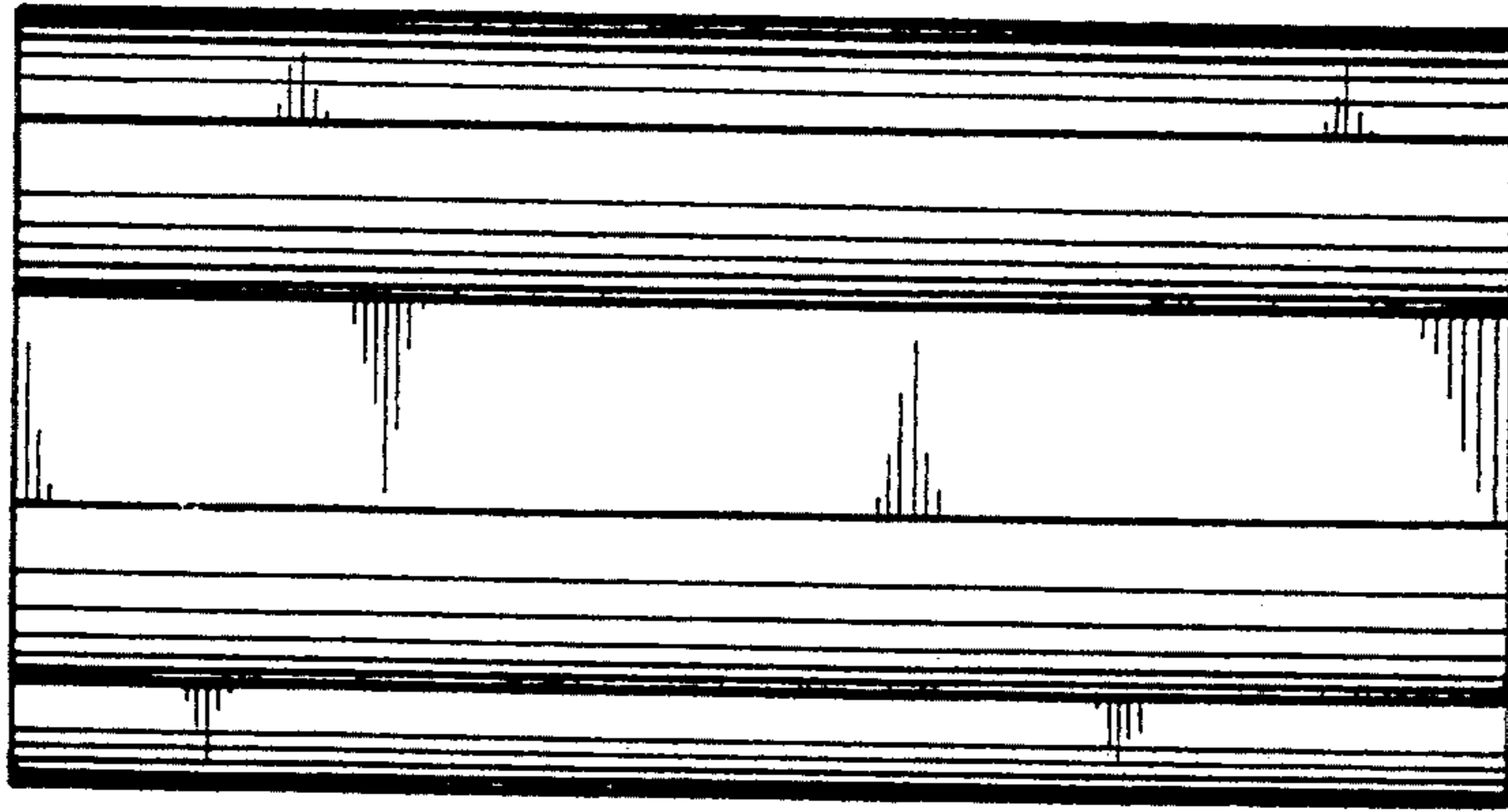


FIG. 4.

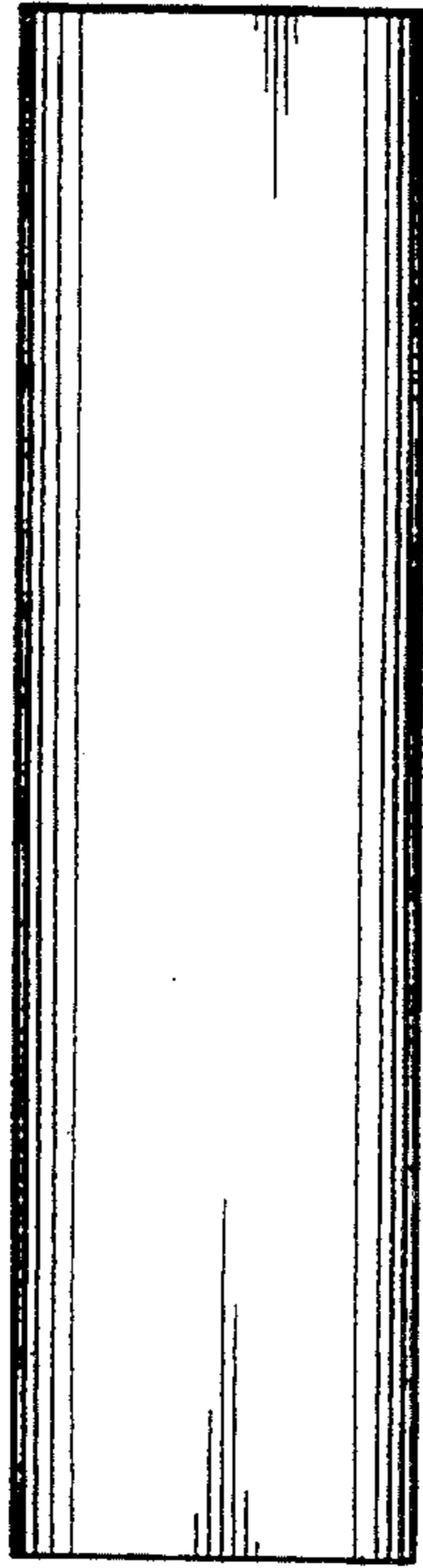


FIG. 3.

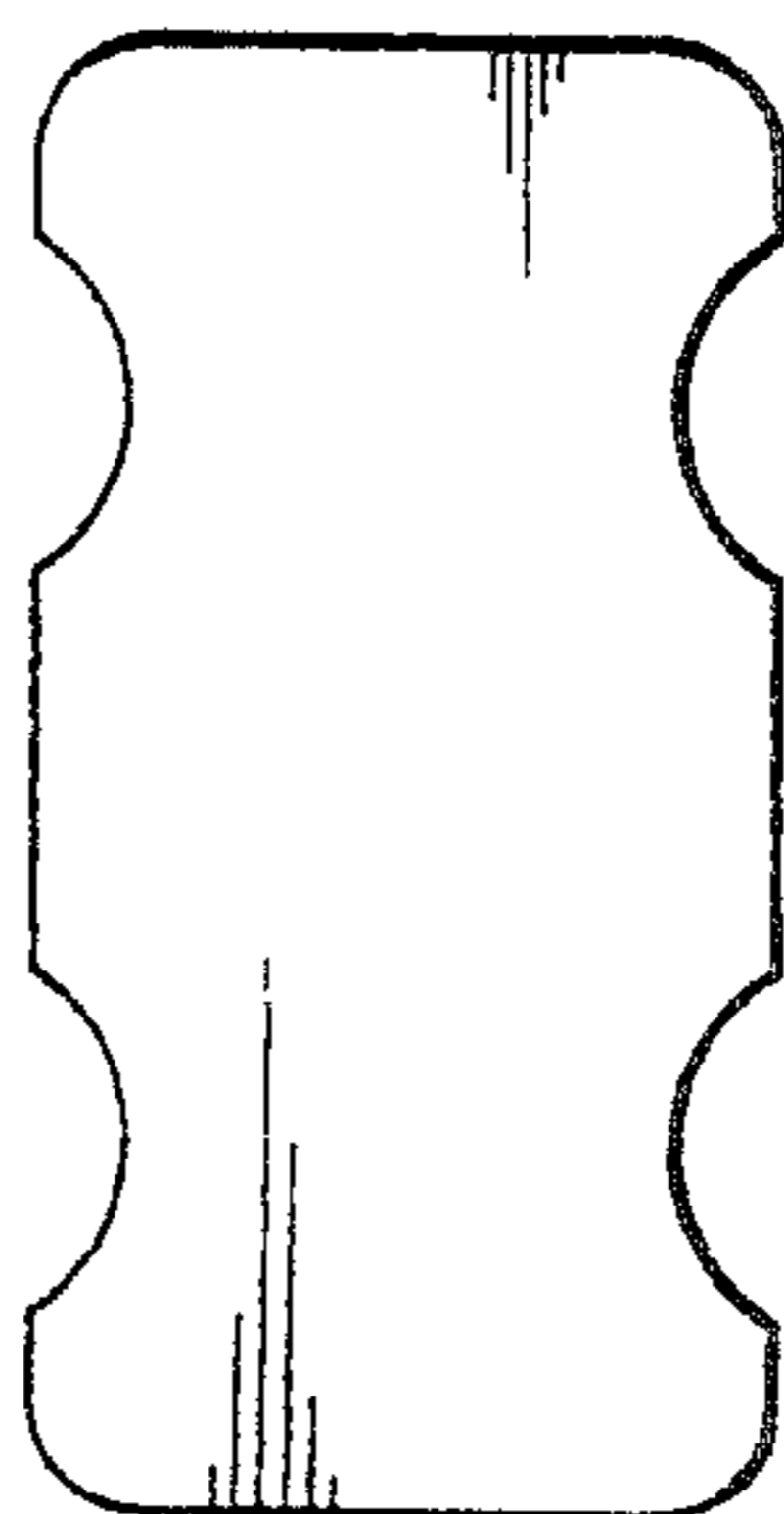


FIG. 2.

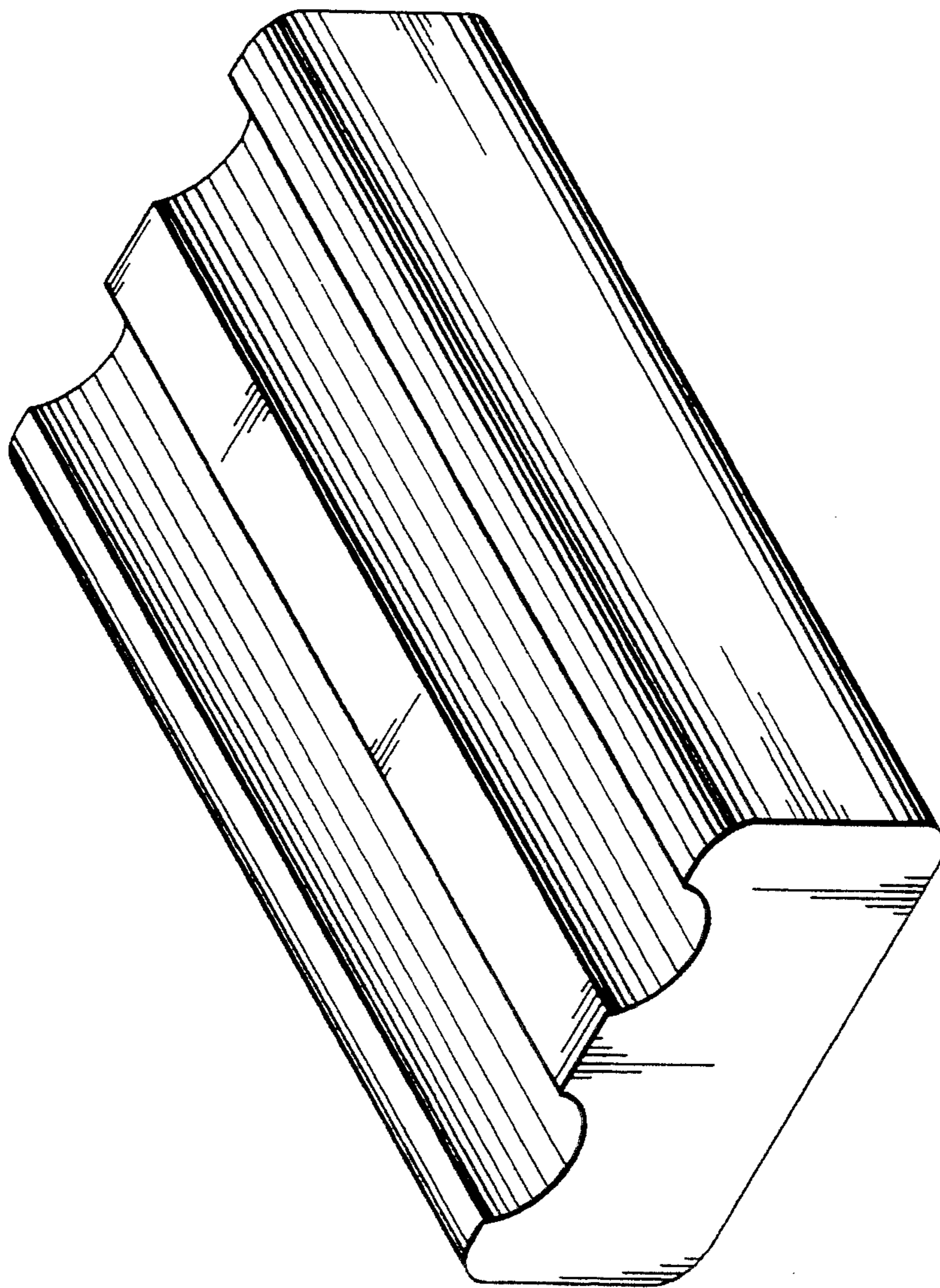


FIG. 5.

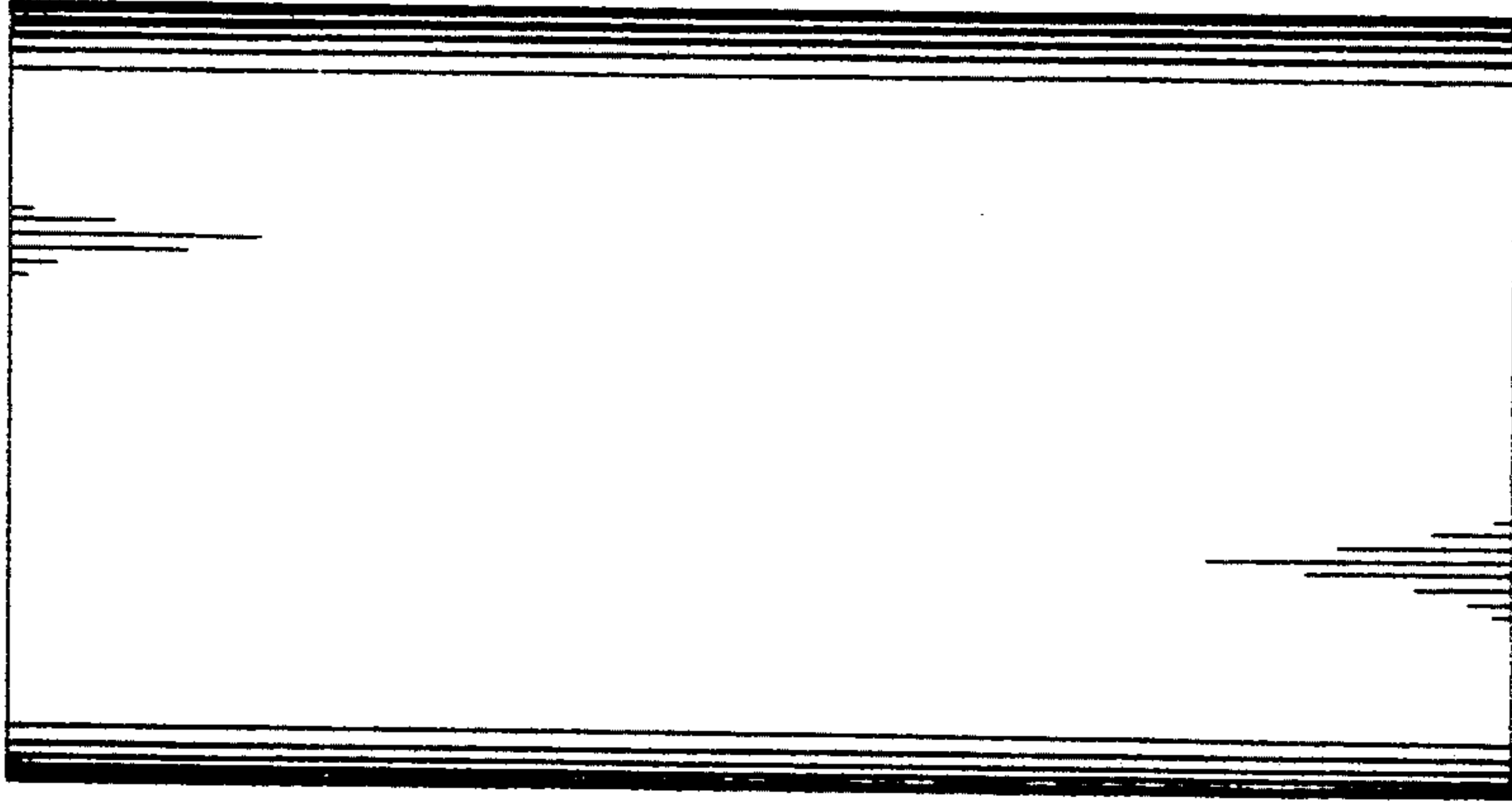


FIG. 7.

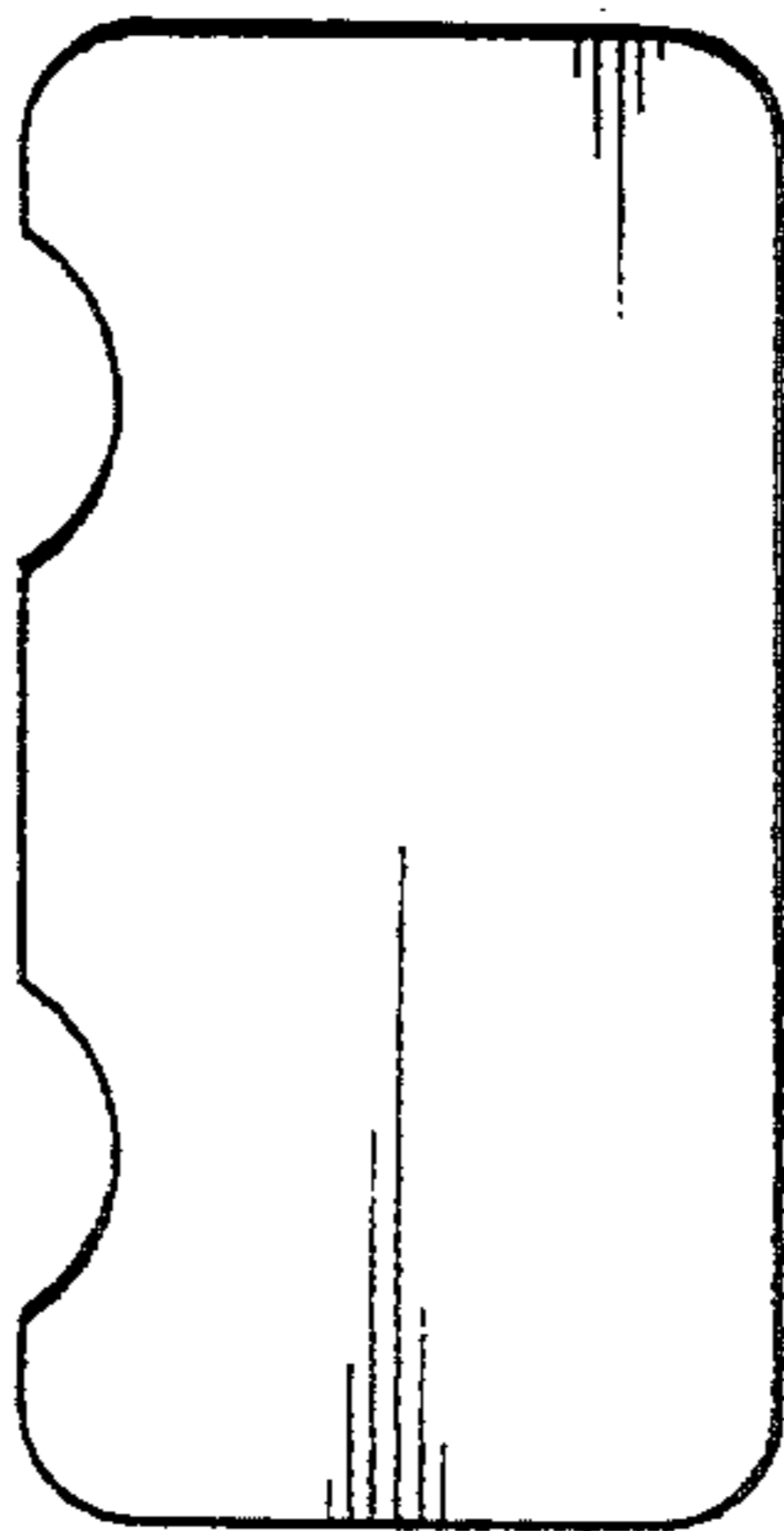


FIG. 6.