



US00D361076S

United States Patent [19]

[11] Patent Number: **Des. 361,076**

Shadeck et al.

[45] Date of Patent: **** Aug. 8, 1995**

[54] **CHUCK**

[75] Inventors: **Louis M. Shadeck, Anderson; Robert O. Huff, Piedmont; Valerie D. Owens, Townville, all of S.C.**

[73] Assignee: **Power Tool Holders Incorporated, Wilmington, Del.**

[**] Term: **14 Years**

[21] Appl. No.: **23,910**

[22] Filed: **Jun. 3, 1994**

[52] U.S. Cl. **D15/140**

[58] Field of Search **D15/140; 279/60-63, 279/157, 901, 902**

[56] **References Cited**

U.S. PATENT DOCUMENTS

D. 293,296	12/1987	Chaney .	
D. 328,556	8/1992	Fushiya et al. .	
D. 332,208	1/1993	Sakamoto et al. .	
D. 333,080	2/1993	Fushiya et al. .	
913,059	2/1909	Savage .	
1,476,903	12/1923	McCornell .	
1,773,034	8/1930	Englund .	
1,784,002	12/1930	Englund .	
3,807,745	4/1974	Bent .	
4,381,116	4/1983	Futter .	
4,695,065	9/1987	Komatsu et al. .	
4,835,563	6/1989	Röhm	279/69 X
4,848,779	7/1989	Wheeler et al. .	
4,951,955	8/1990	Sakamaki .	
5,009,439	4/1991	Sakamaki .	
5,031,925	7/1991	Tatsu et al. .	
5,044,643	9/1991	Nakamura .	
5,145,192	9/1992	Röhm	279/62
5,158,306	10/1992	Röhm . .	
5,234,223	8/1993	Sakamaki .	
5,286,041	2/1994	Röhm	279/62 X
5,324,050	6/1994	Kanaan	279/157 X
5,348,318	9/1994	Steadings et al. .	

FOREIGN PATENT DOCUMENTS

2606691 5/1988 France .

OTHER PUBLICATIONS

The following Jacobs® Manufacturing Company drawings: Nos. 96-030413 dated Aug. 9, 1990, 96-030420 dated May 9, 1990, 96-030643 dated Jul. 18, 1990, 96-030667 dated Sep. 14, 1990, 96-080678 daed Oct. 19, 1990, 96-030679 dated Oct. 29, 1990, 96-030684 dated Nov. 28, 1990, 96-030715 dated Apr. 12, 1991, 96-030732 dated Dec. 11, 1991, 96-030736 dated Sep. 30, 1991, 96-030742 dated Oct. 25, 1991, 96-030748 dated Nov. 13, 1991, 96-030752 dated Nov. 12, 1991, 96-030758 dated Nov. 19, 1991, 96-030772 dated Nov. 19, 1991, 96-030775 dated Jan. 6, 1992, 96-030809 dated Mar. 12, 1992, 96-030816 dated May 26, 1992, 96-031040 dated Jan. 14, 1993, 96-031087 dated Mar. 25, 1993, 96-0310087 dated Mar. 25, 1993, 96-031089 dated Mar. 25, 1993, 96-031213 dated Aug. 26, 1993, 96-031214 dated Aug. 27, 1993, 96-031215 dated Aug. 27, 1993, 96-P3072 dated Nov. 17, 1992, 96-P0751 dated Mar. 1, 1993.

Jacobs Manufacturing Co. Drawing: 96-030677; Sep. 29, 1990.

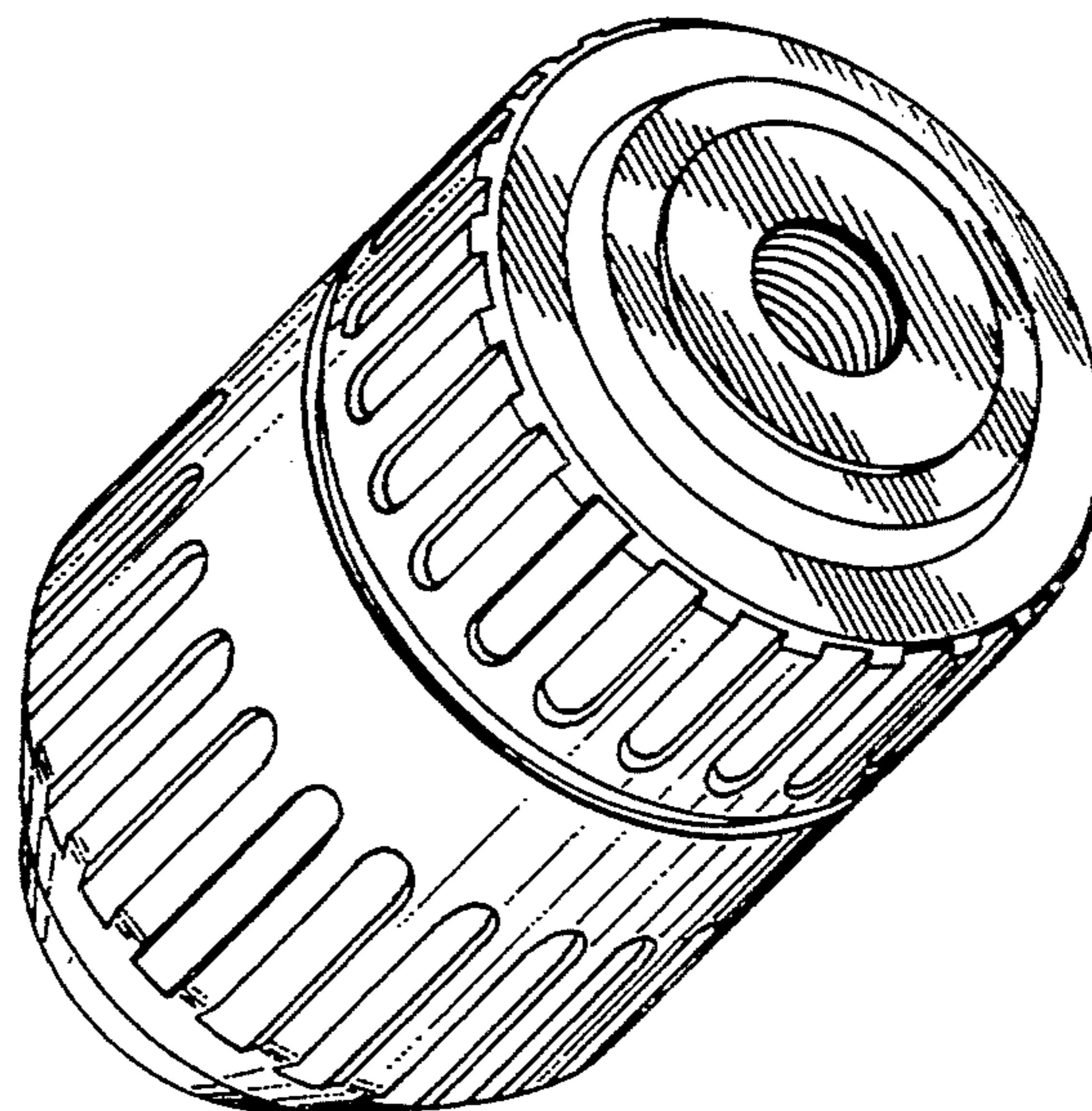
Primary Examiner—Antoine Duval Davis
Attorney, Agent, or Firm—Dority & Manning

[57] **CLAIM**

The ornamental design of a chuck, as shown and described.

DESCRIPTION

FIG. 1 is a perspective view of a chuck embodying the design of the present invention;
FIG. 2 is a bottom or rear view of the chuck illustrated in FIG. 1;
FIG. 3 is a side view of the chuck of FIG. 1; and,
FIG. 4 is a top or front view of the chuck illustrated in FIG. 1.



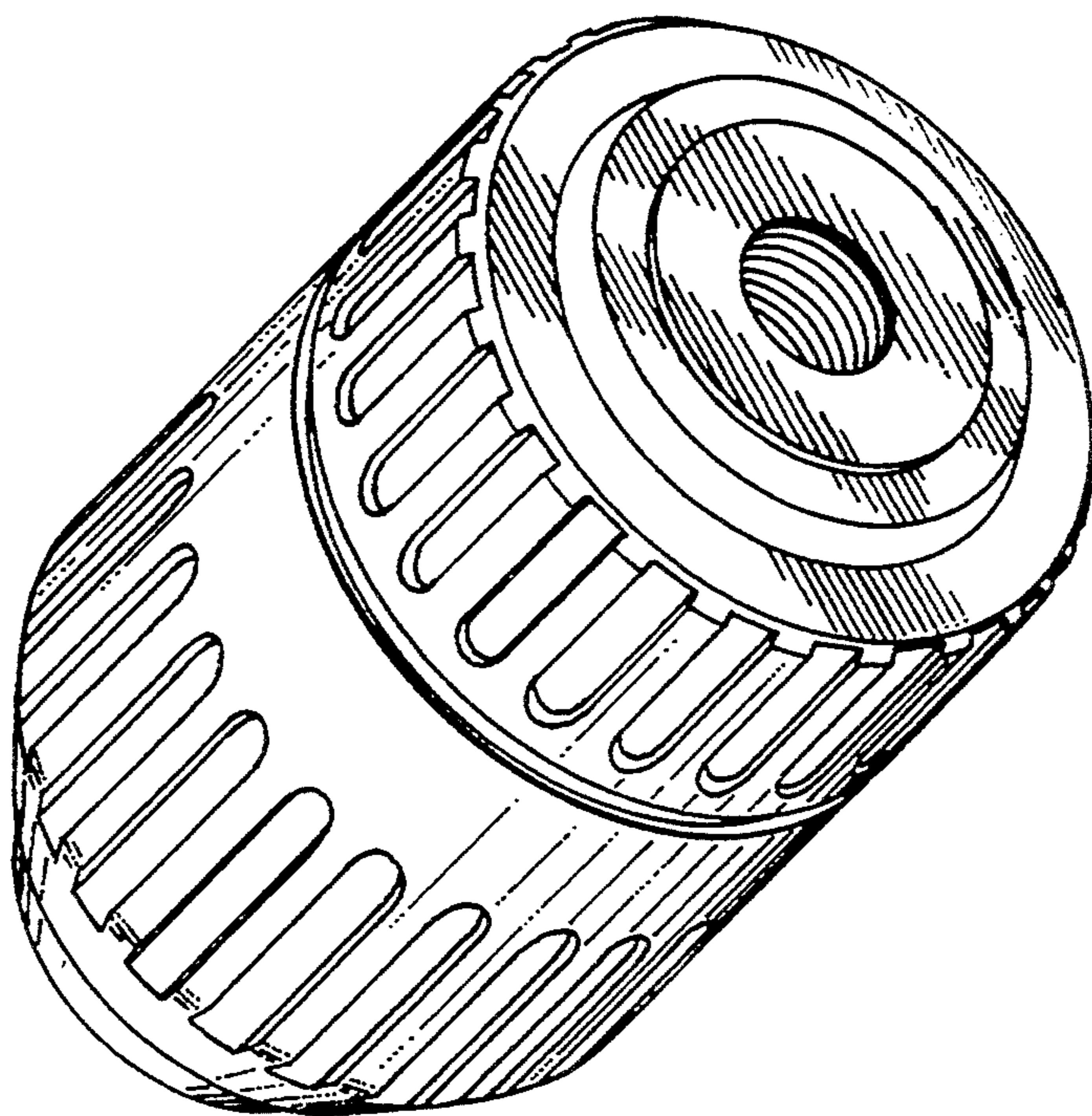


Fig. 1

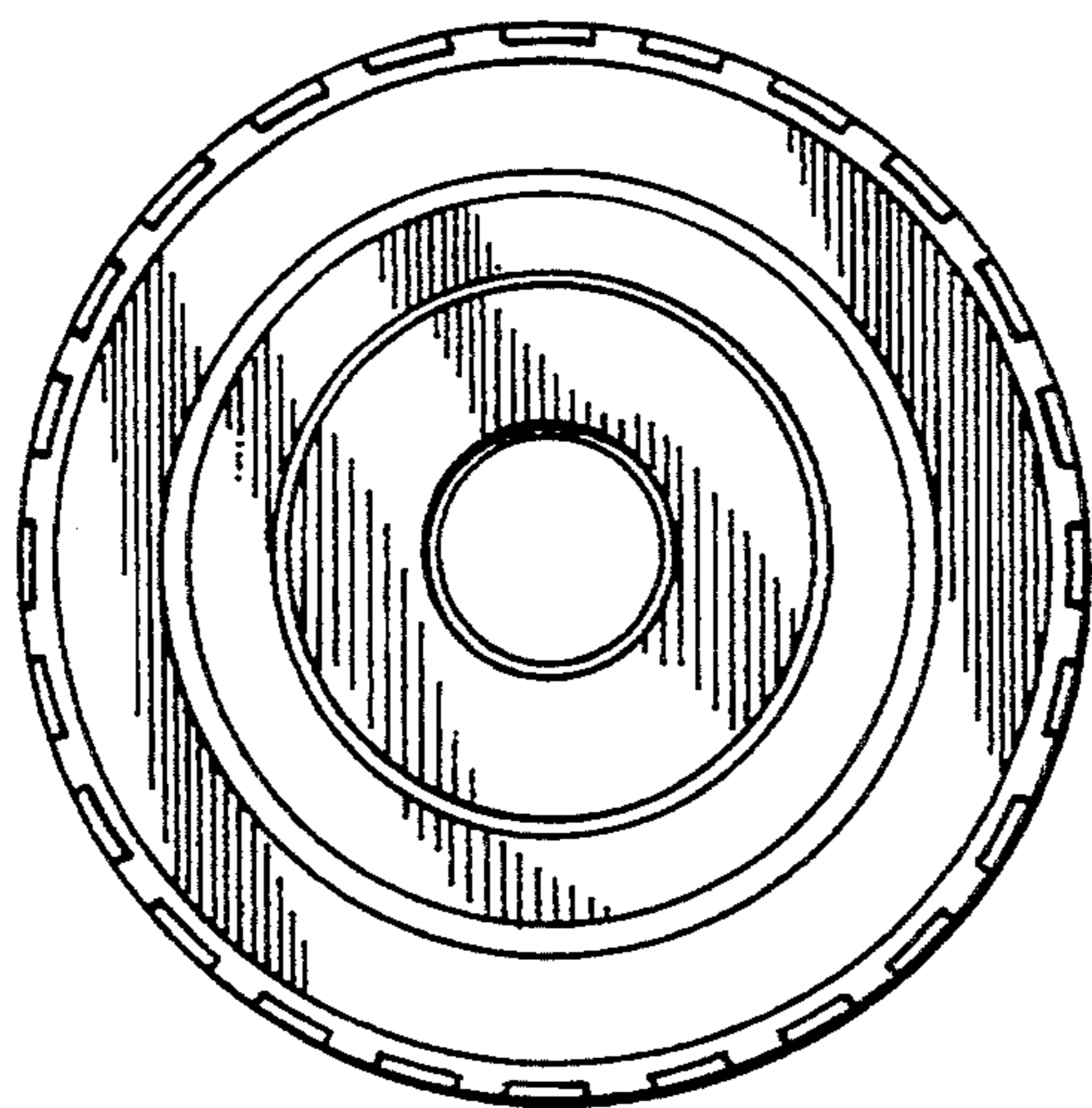


Fig. 2

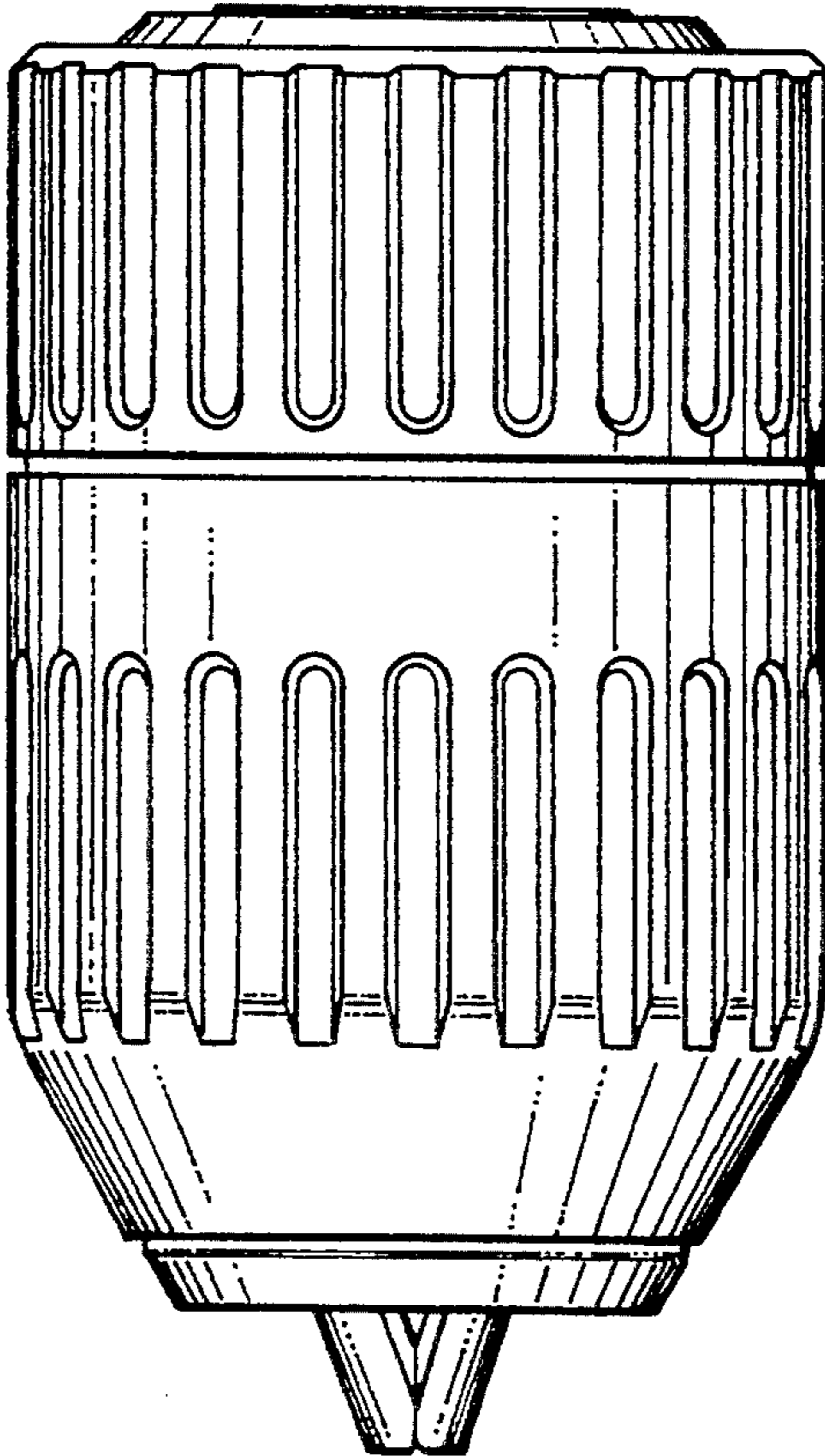


Fig. 3

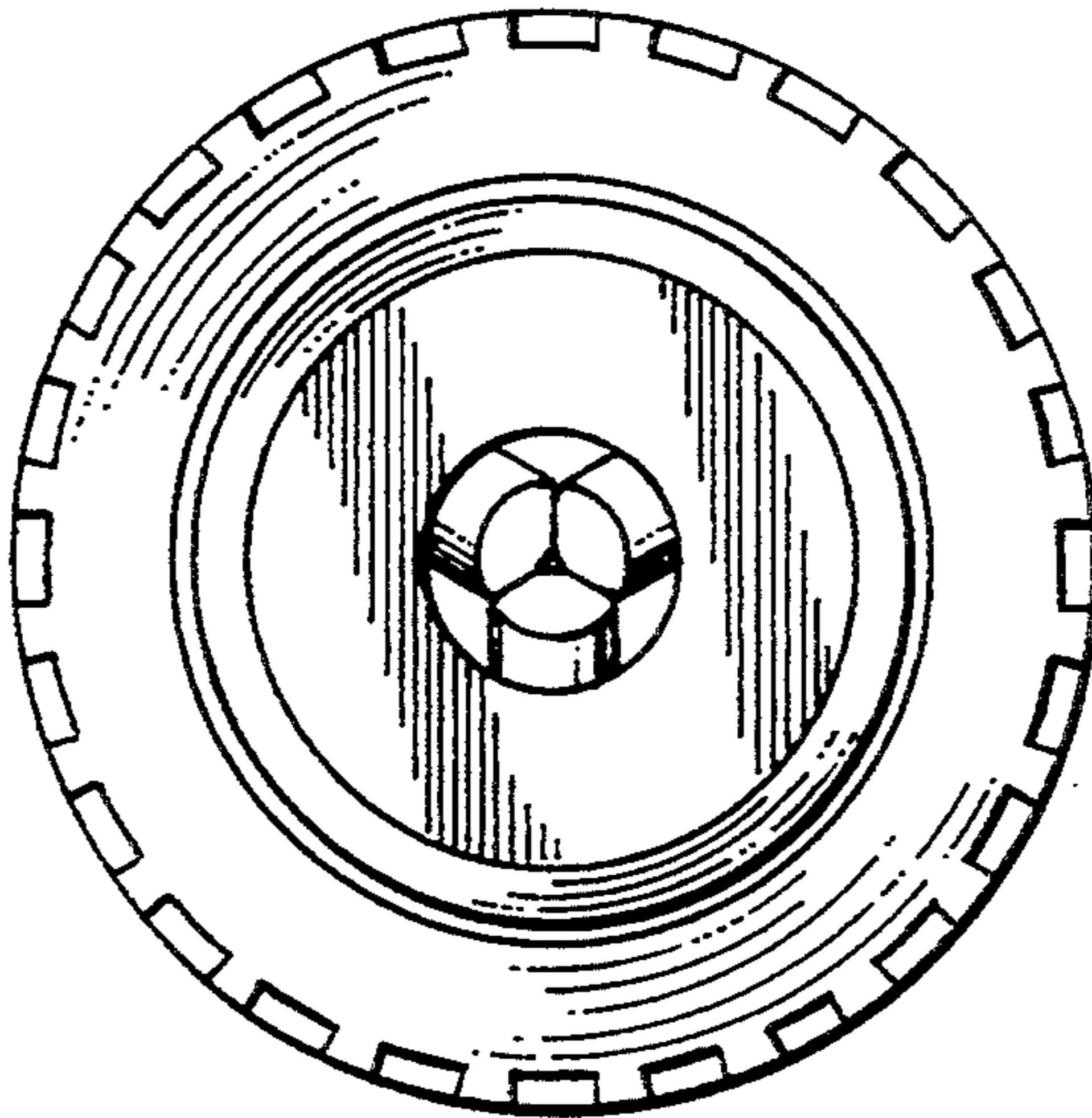


Fig. 4