



US00D361075S

United States Patent [19]

[11] Patent Number: **Des. 361,075**

Jones

[45] Date of Patent: **** Aug. 8, 1995**

[54] **STAND FOR A CIRCULAR SAW**

Attorney, Agent, or Firm—Middleton & Reutlinger;
James C. Eaves, Jr.

[76] Inventor: **Thomas J. Jones**, 3007 Crone Rd.,
Borden, Ind. 47106

[57] **CLAIM**

[**] Term: **14 Years**

The ornamental design for a stand for a circular saw, as shown and described.

[21] Appl. No.: **25,574**

DESCRIPTION

[22] Filed: **Jul. 5, 1994**

FIG. 1 is a front left-side view of a stand for a circular saw showing my new design;

[52] U.S. Cl. **D8/71; 248/678**

FIG. 2 is the same perspective view of FIG. 1, the stand shown holding a circular saw (in phantom);

[58] Field of Search **D8/71; D3/905; D9/418, D9/431; 206/349, 486, 45.19; 248/346, 678, 166; 211/69.4, 70.6**

FIG. 3 is a perspective view of the stand of FIG. 1, the stand having been rotated 180 degrees;

[56] **References Cited**

U.S. PATENT DOCUMENTS

D. 283,399	4/1986	Forbes, Jr.	D9/431 X
4,611,713	9/1986	Byrns	206/349
5,064,056	11/1991	Gresh	206/45.19
5,078,353	1/1992	Linn	211/70.6 X
5,119,937	6/1992	Reynolds, Jr. .	

FIG. 4 is a top view of the stand for a circular saw of FIG. 1;

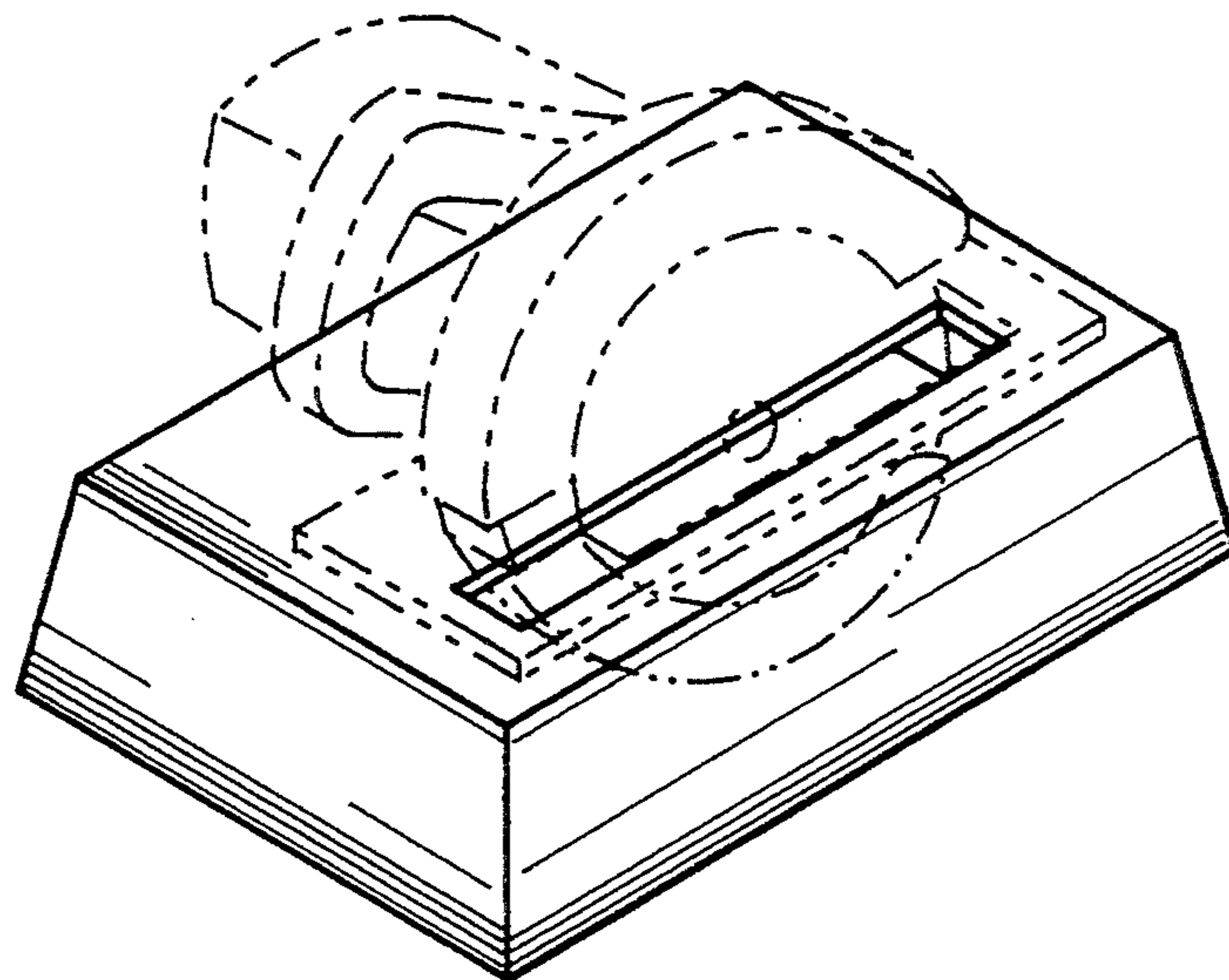
FIG. 5 is a front view of the stand for a circular saw of FIG. 1, the back view being identical;

FIG. 6 is a bottom view of the stand for a circular saw of FIG. 1; and,

FIG. 7 is a left side view of the stand for a circular saw of FIG. 1.

Primary Examiner—Alan P. Douglas
Assistant Examiner—Jeffrey H. Musgrove

The broken line showing of the circular saw is for illustrative purposes only and forms no part of the claimed design.



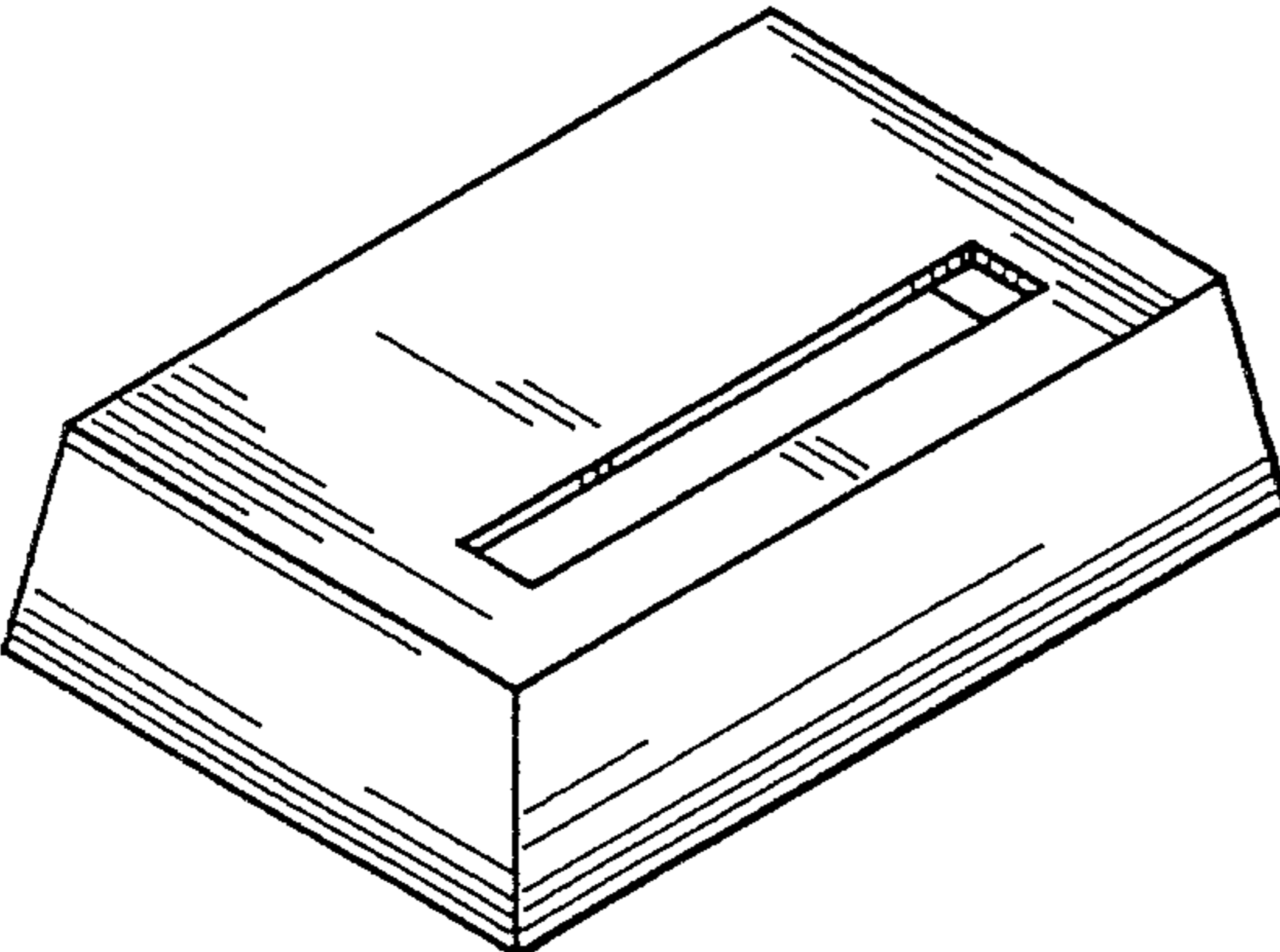


FIG. 1

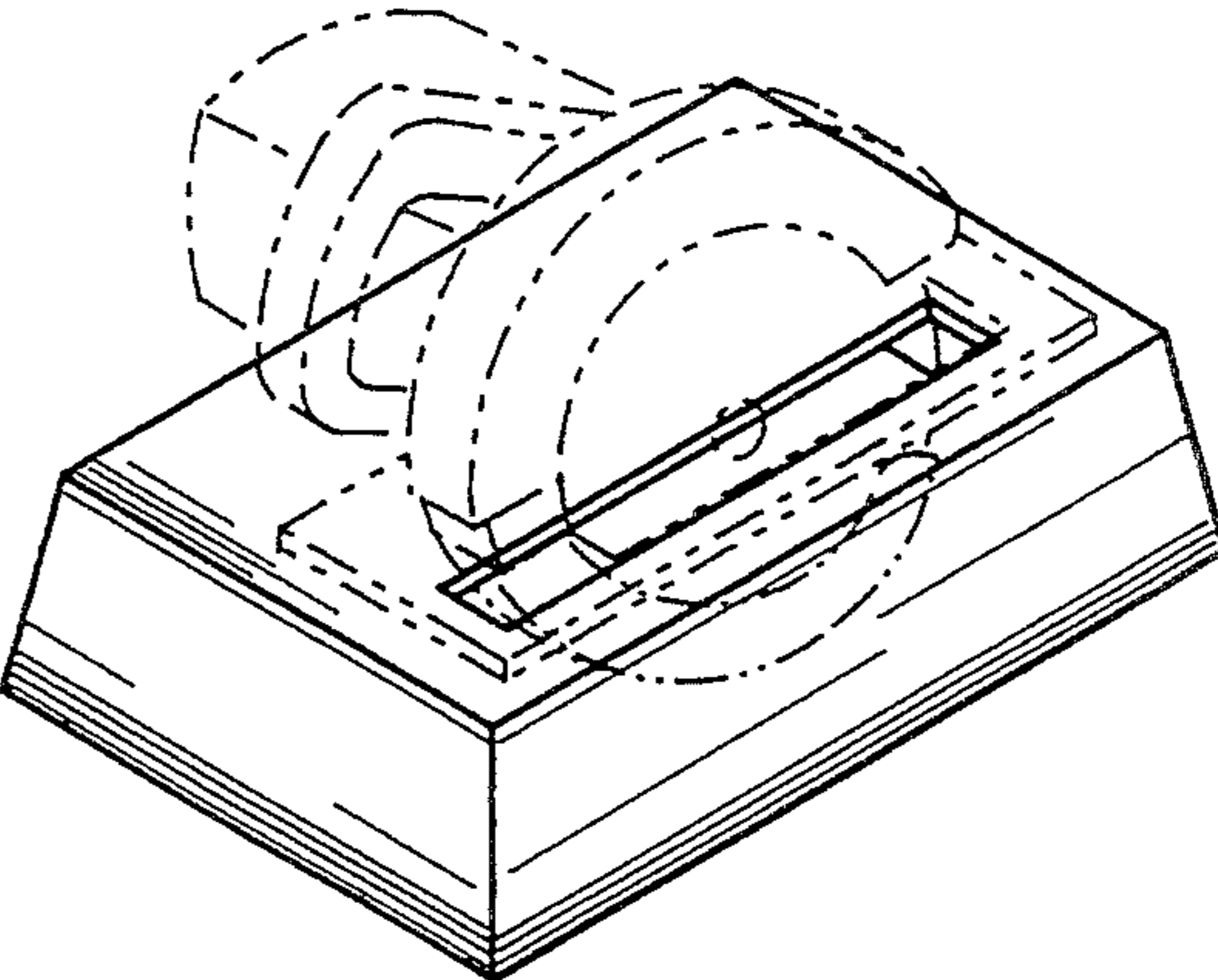


FIG. 2

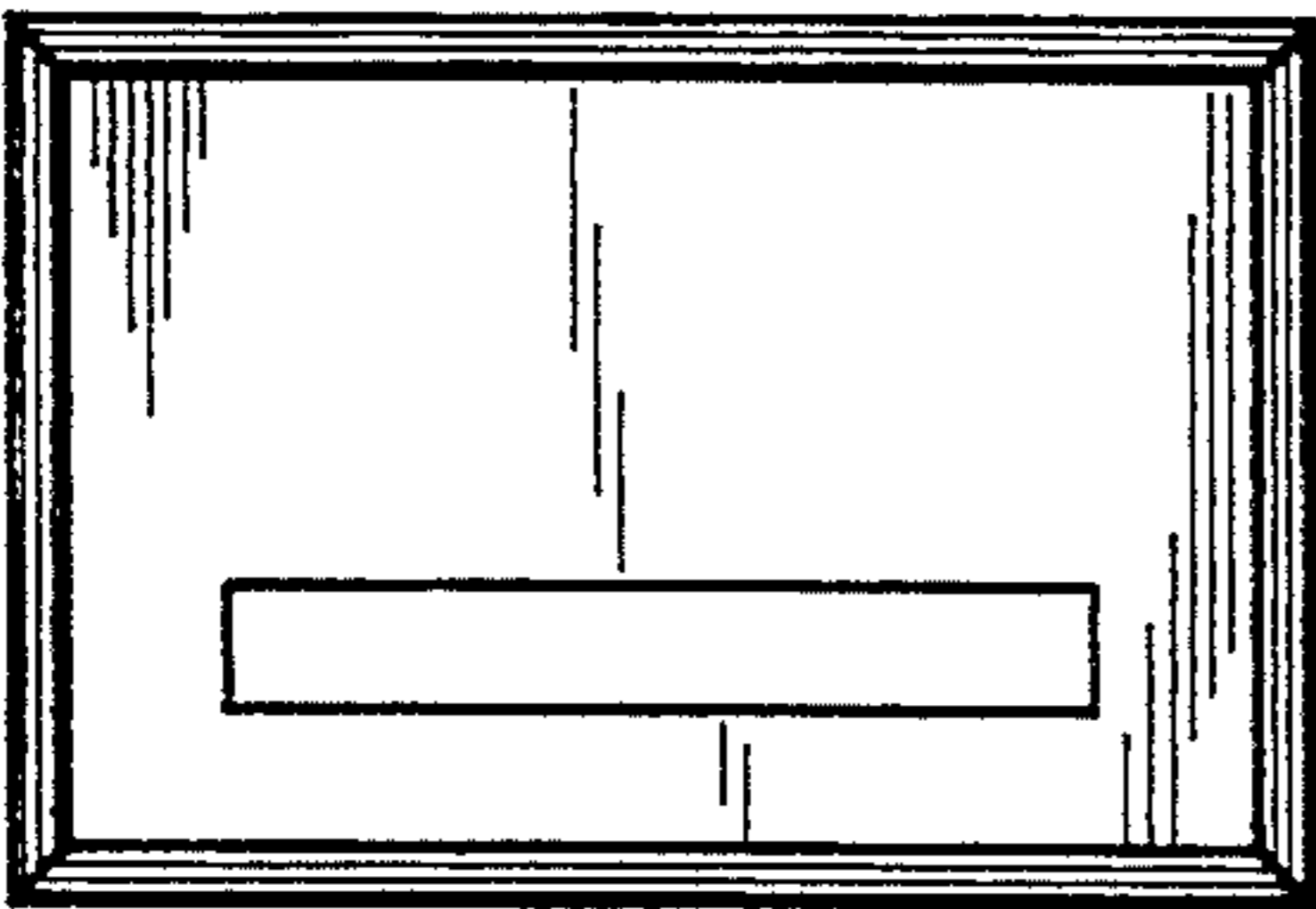


FIG. 4

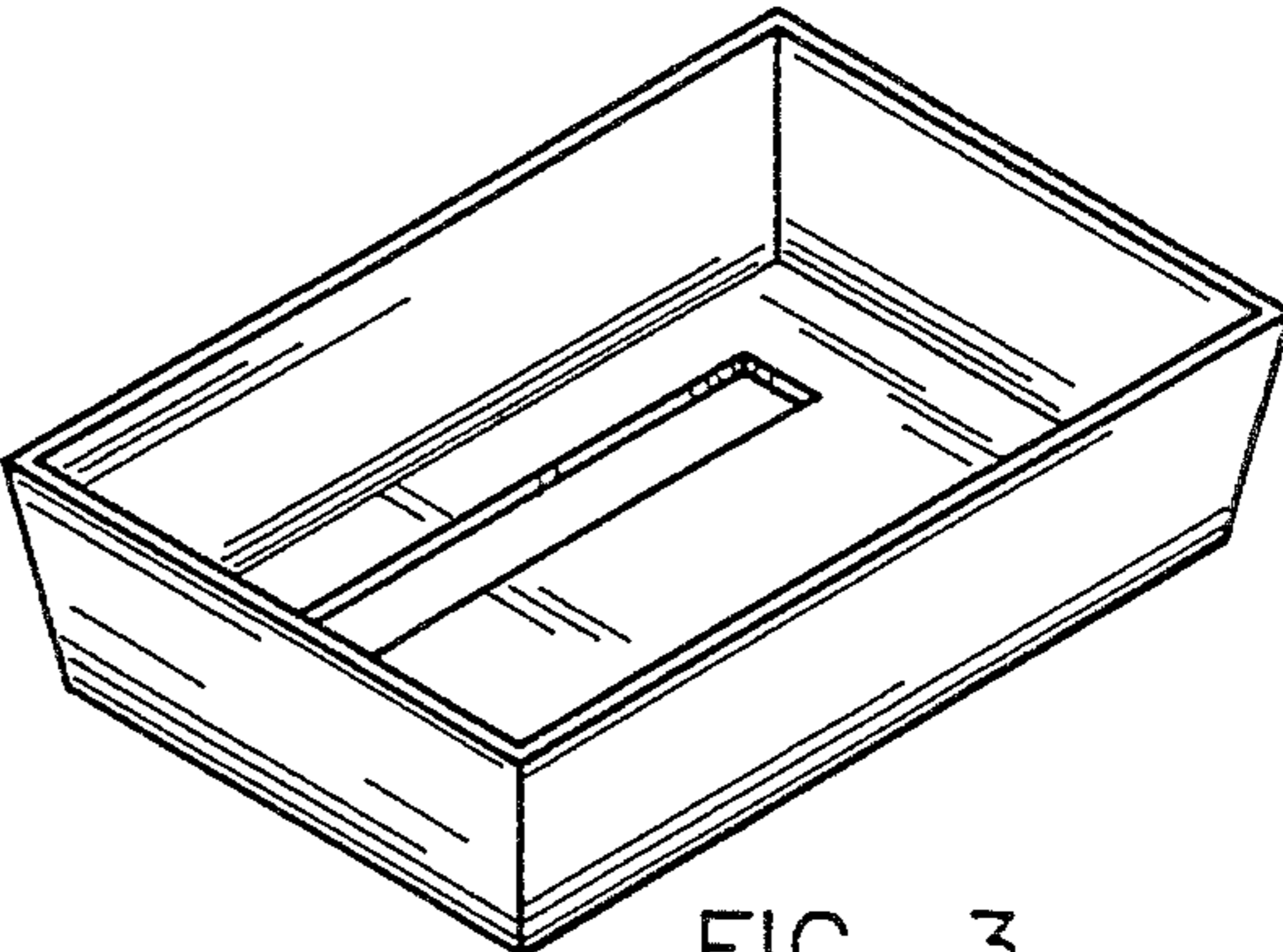


FIG. 3

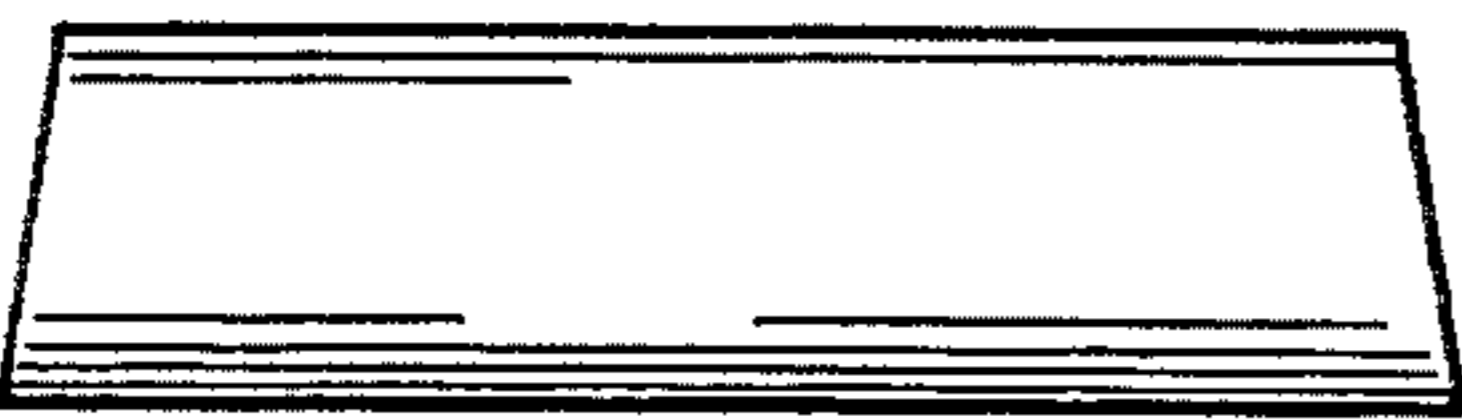


FIG. 5

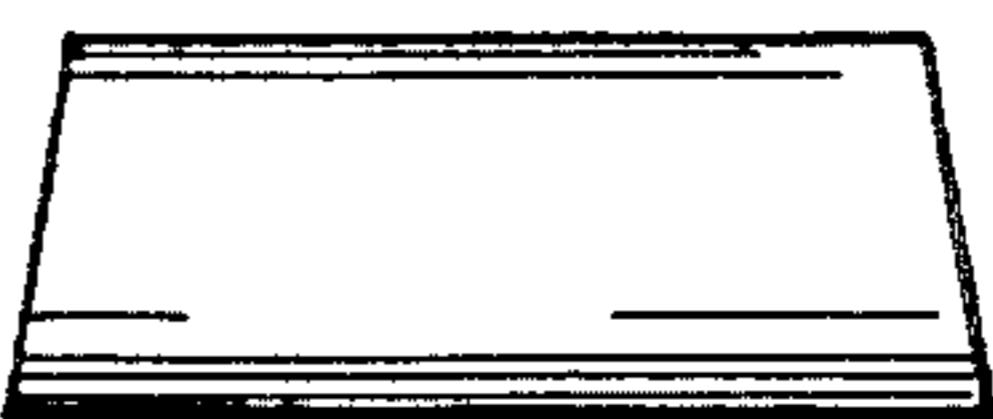


FIG. 7

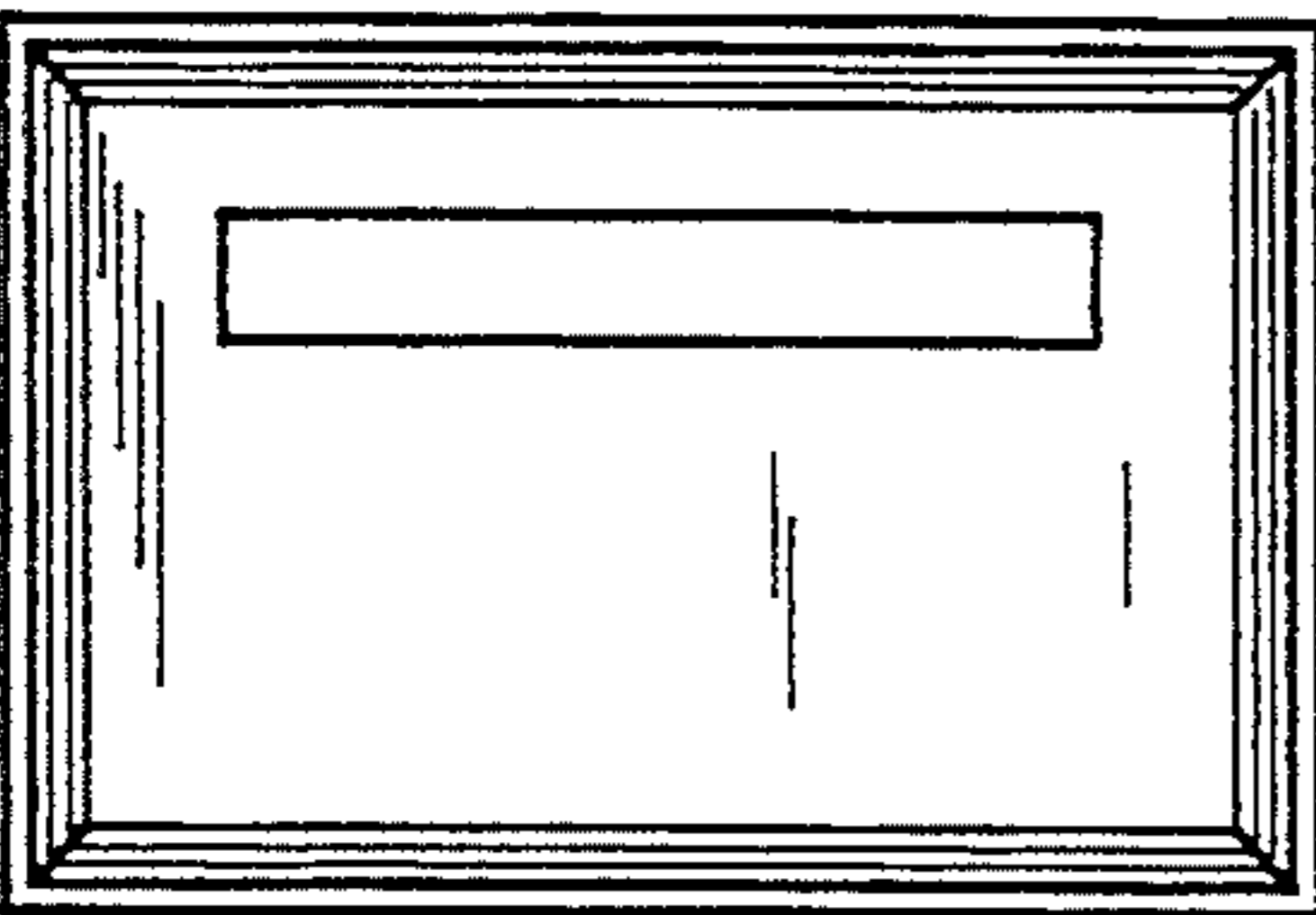


FIG. 6