



US00D361072S

# United States Patent [19]

[11] Patent Number: **Des. 361,072**

**Huang**

[45] Date of Patent: **\*\* Aug. 8, 1995**

[54] TELEPHONE

[76] Inventor: **Gerald Huang**, 16010 Carmenita Rd., Cerritos, Calif. 90704

[\*\*] Term: **14 Years**

[21] Appl. No.: **17,162**

[22] Filed: **Jan. 5, 1994**

[52] U.S. Cl. .... **D14/149; D14/148**

[58] Field of Search ..... **D14/140, 142, 137, 138, D14/147, 148, 149-151, 240, 241; 379/419, 420, 428, 440, 433-436**

Expressions, Fall 1989, item E.  
1992 Spring/Summer B. A. Pargh Catalog p. 320, "Clear Trendline Phone" at bottom left.  
Bloomingdale's Catalog p. 56 item F at left side of box just above "F".

*Primary Examiner*—Jeffrey Asch  
*Attorney, Agent, or Firm*—Ladas & Parry

### [57] CLAIM

The ornamental design for a telephone, as shown and herein described.

### DESCRIPTION

FIG. 1 is a left side view of my new design for a telephone;  
FIG. 2 is a right side view of my new design;  
FIG. 3 is a top plan view of my new design;  
FIG. 4 is an end view of my new design;  
FIG. 5 is a perspective end view of my new design;  
FIG. 6 is a rear plan view of my new design;  
FIG. 7 is a perspective view of my new design in a position of use; and,  
FIG. 8 is a second perspective view of my new design in a position of use.  
The broken lines showing of the telephone cord in FIGS. 1-8, and of the keypad in FIGS. 7 and 8 is for illustrative purposes only and forms no part of the claimed design.

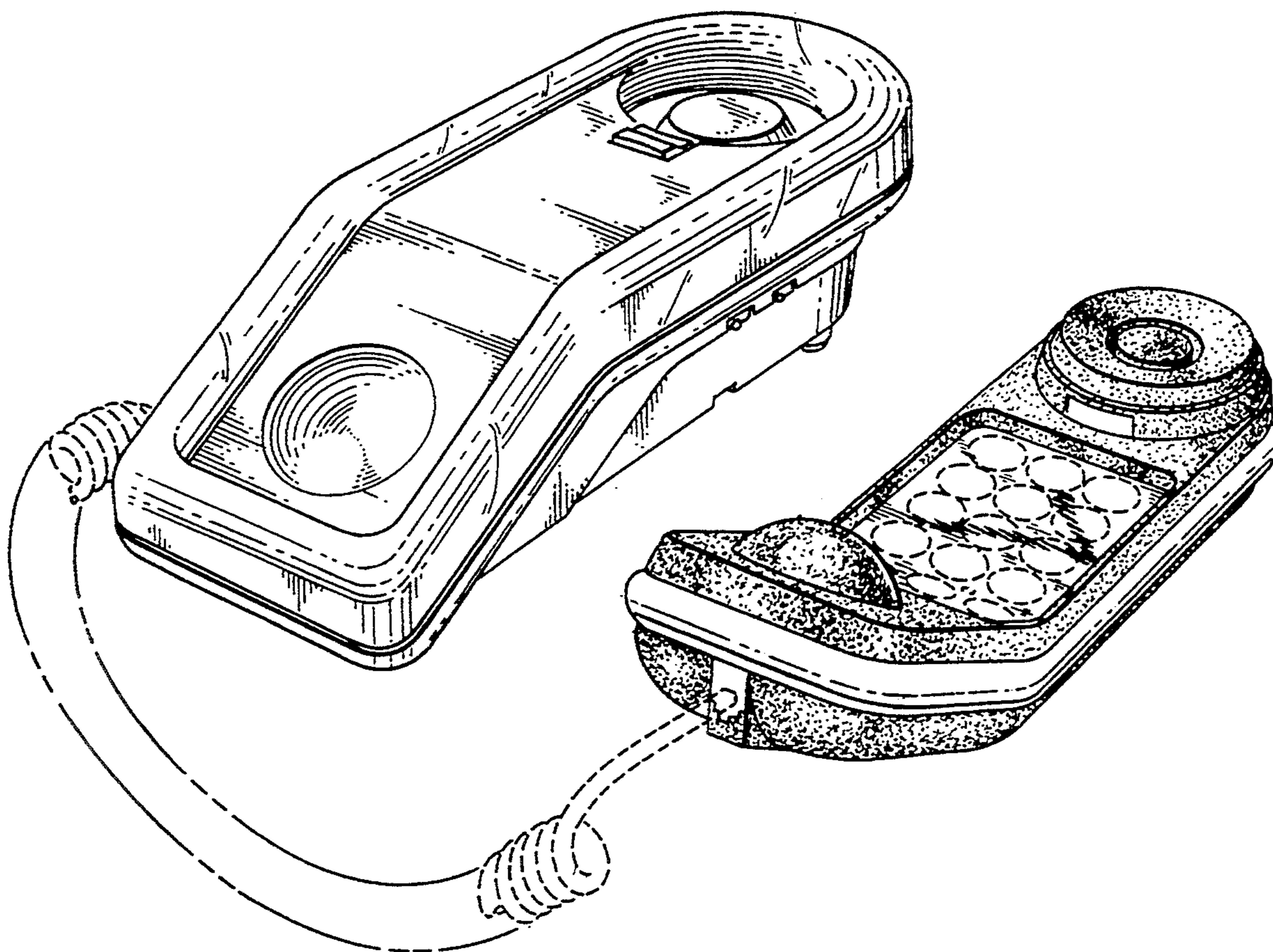
### [56] References Cited

#### U.S. PATENT DOCUMENTS

D. 287,124	12/1986	Becker	.....	D14/148
D. 299,026	12/1988	Iino	.....	D14/148
D. 306,729	3/1990	Shaanan et al.	.....	D14/151
D. 311,917	11/1990	De Arri	.....	D14/151
D. 313,800	1/1991	Appleby	.....	D14/151
D. 314,379	2/1991	Cheng	.....	D14/151
D. 318,663	7/1991	Frisinger	.....	D14/142 X
D. 342,731	12/1993	Wicks	.....	D14/150

#### OTHER PUBLICATIONS

Schoner Wohnen Jun. 1990, p. 101, "Neon Light" Phone.



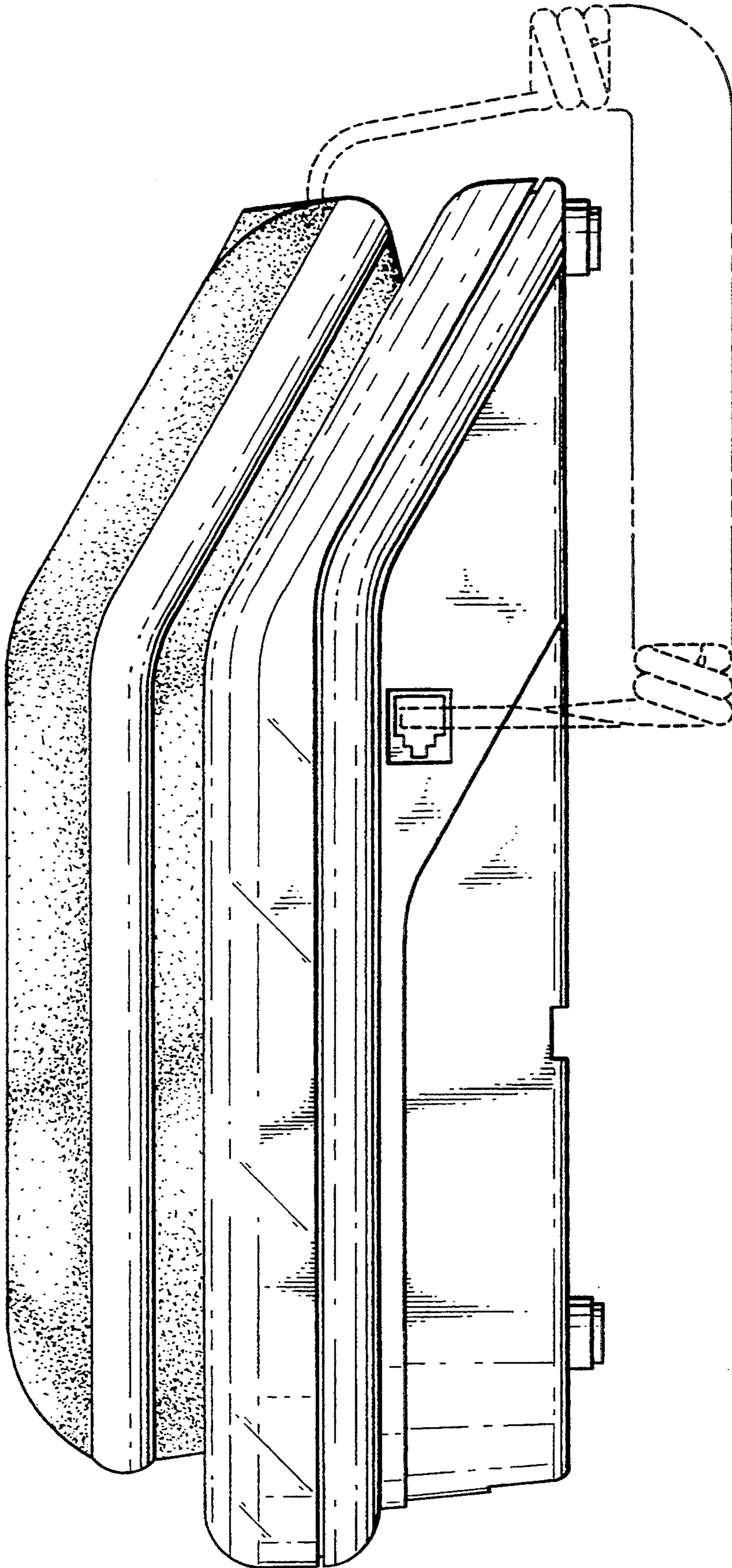


FIG. 1



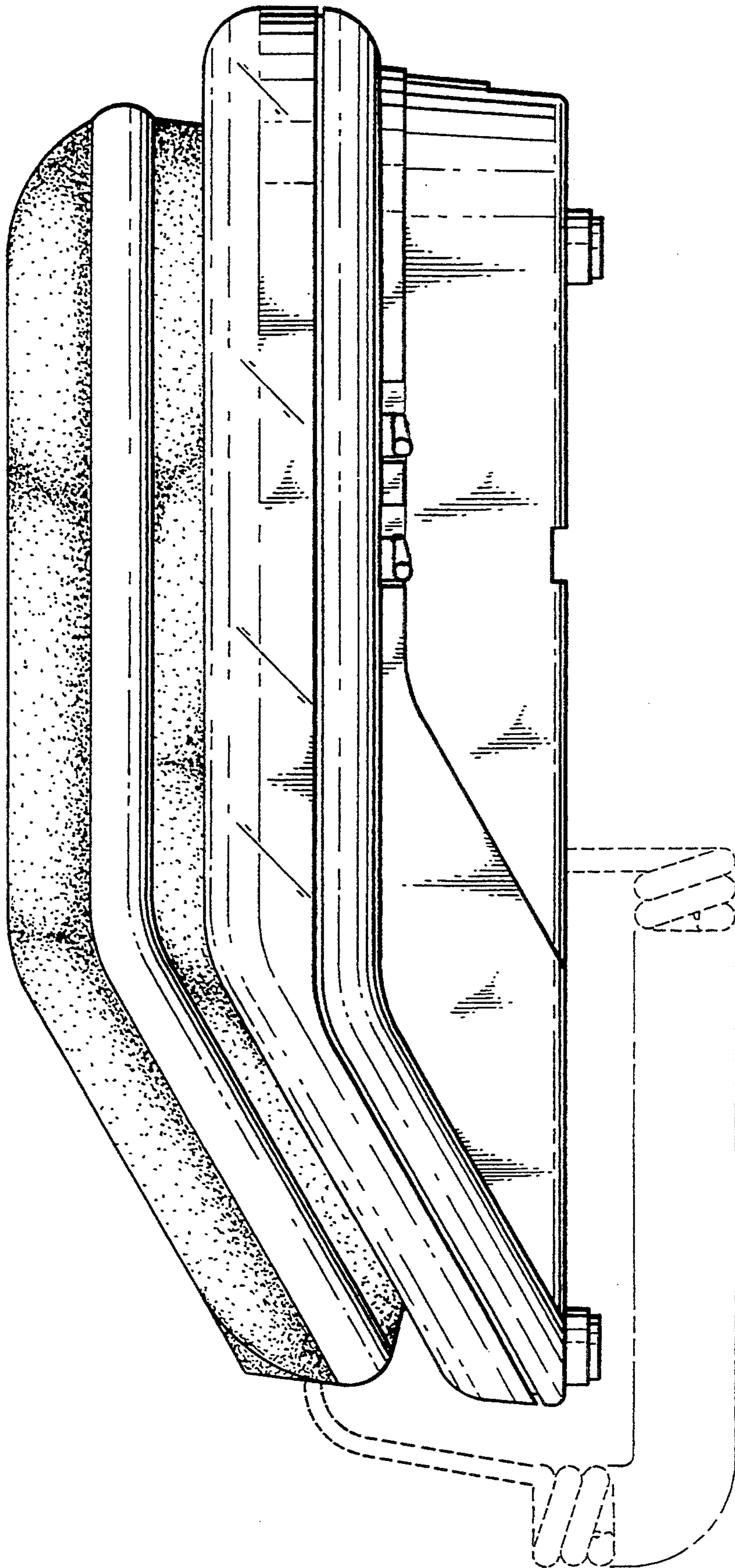
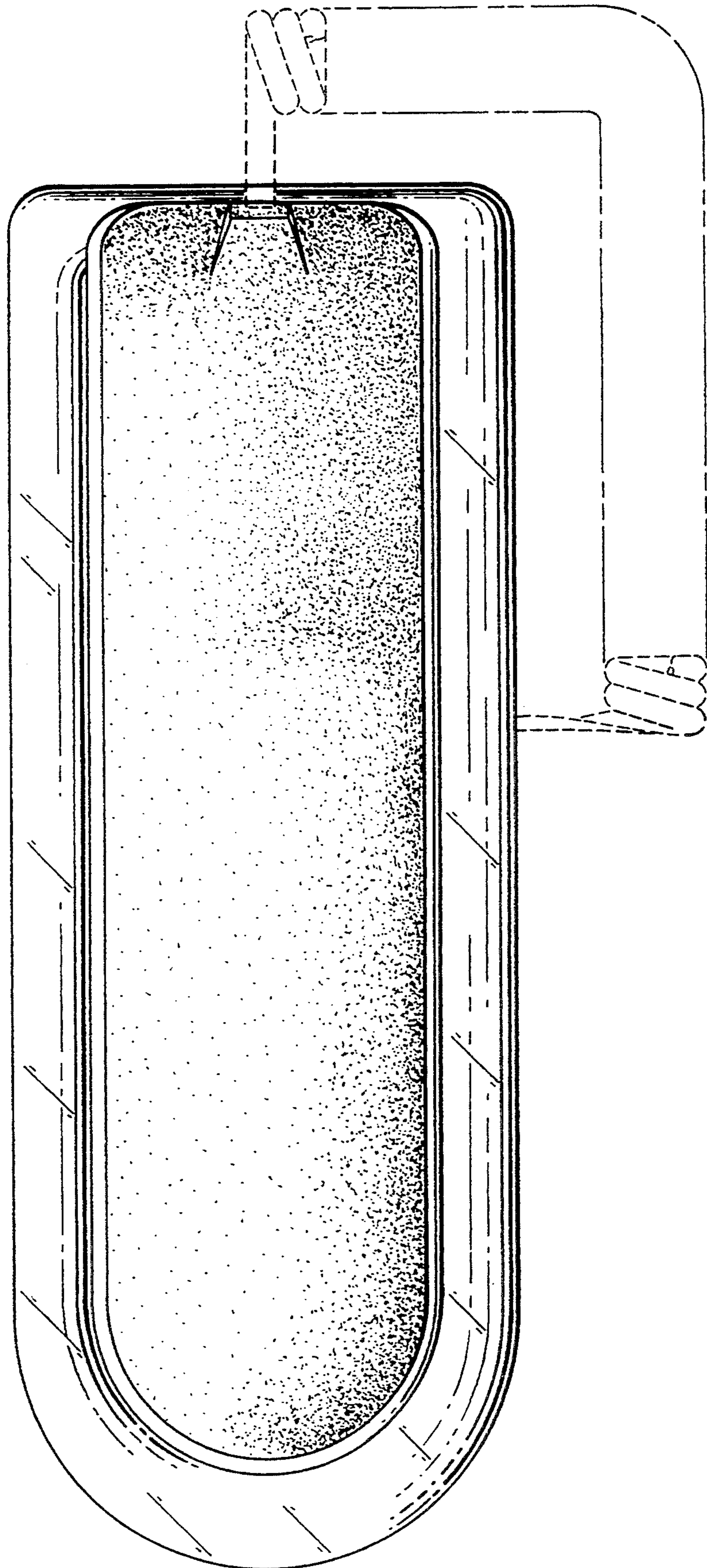
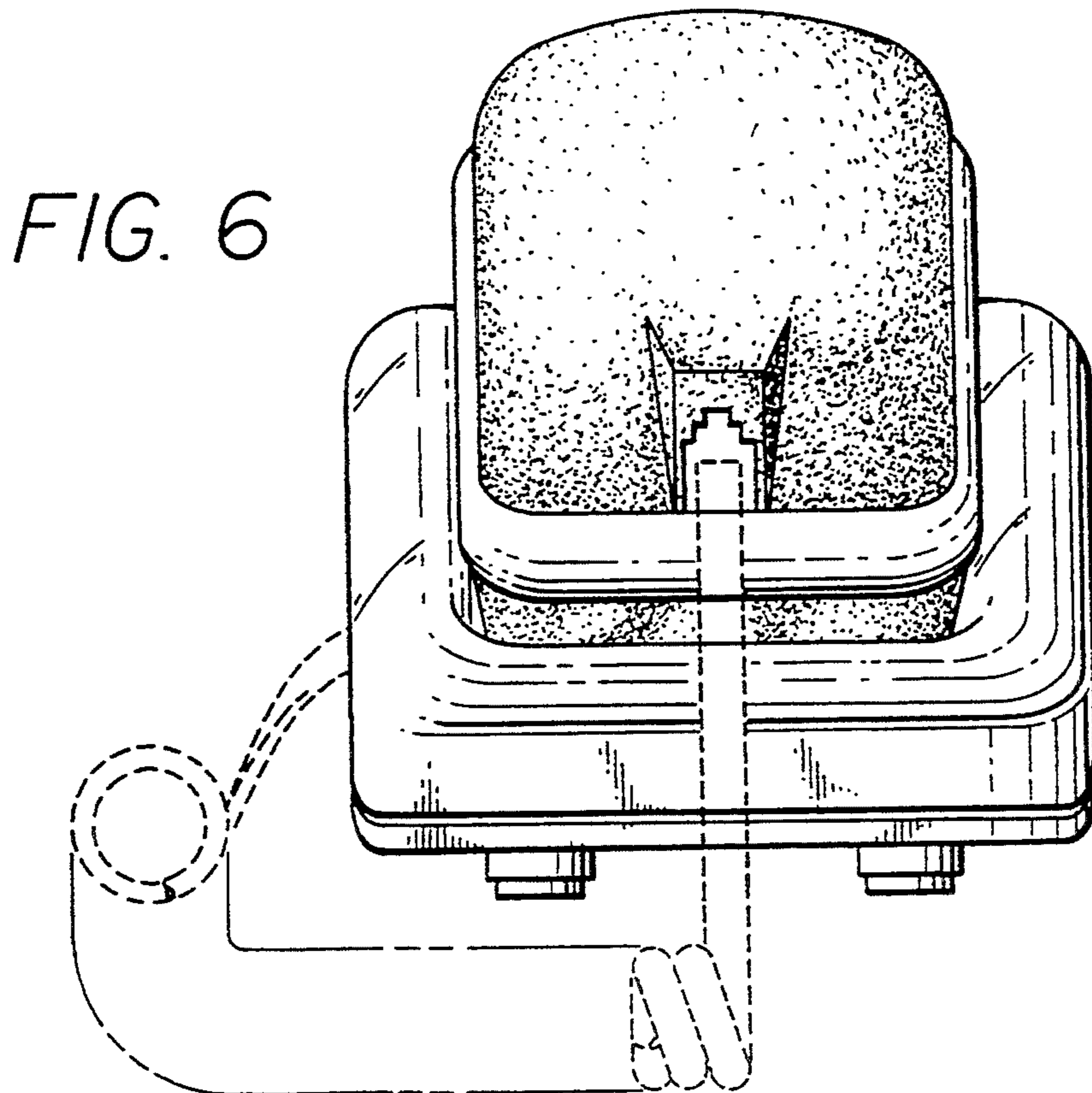
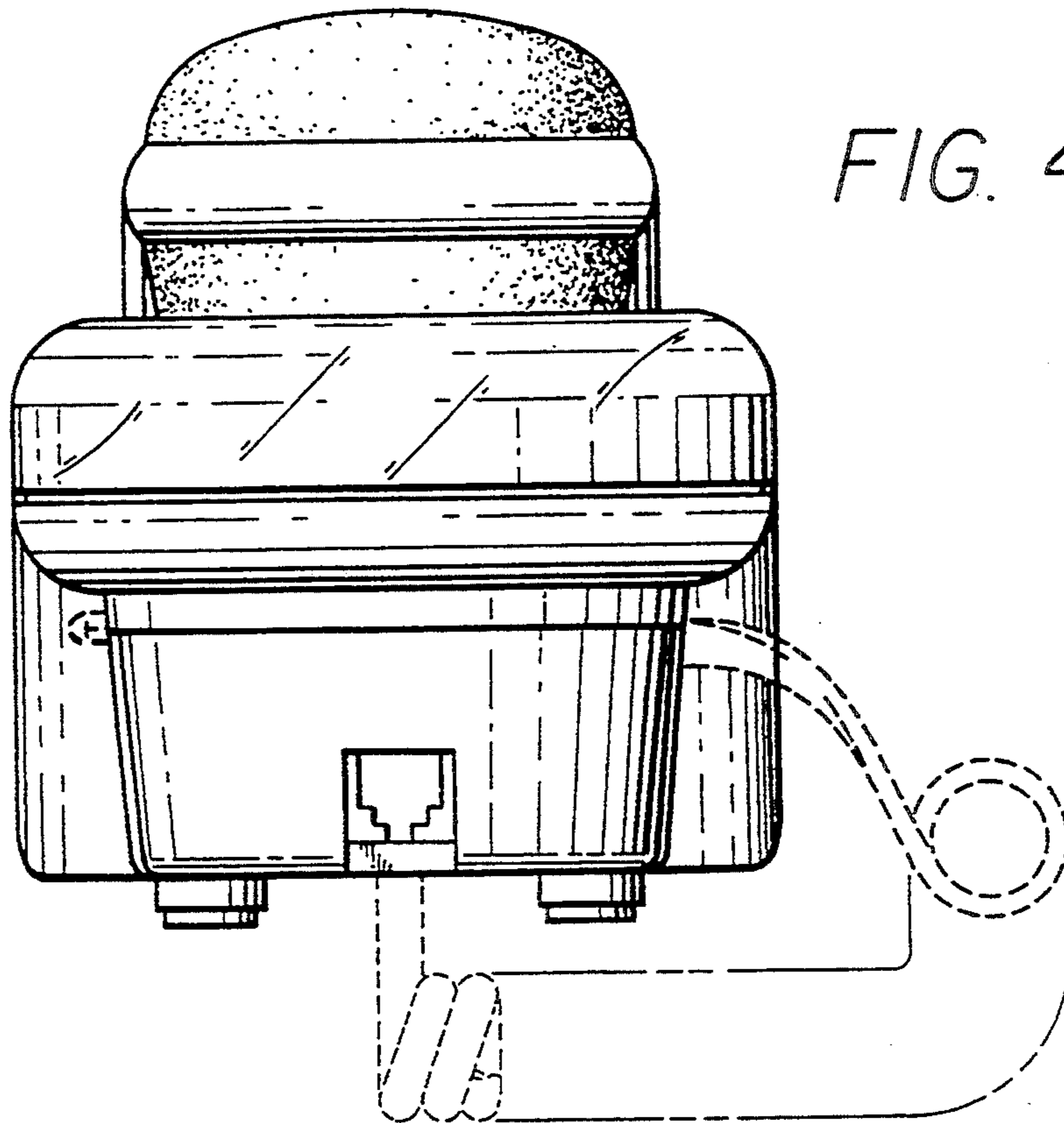


FIG. 2

FIG. 3







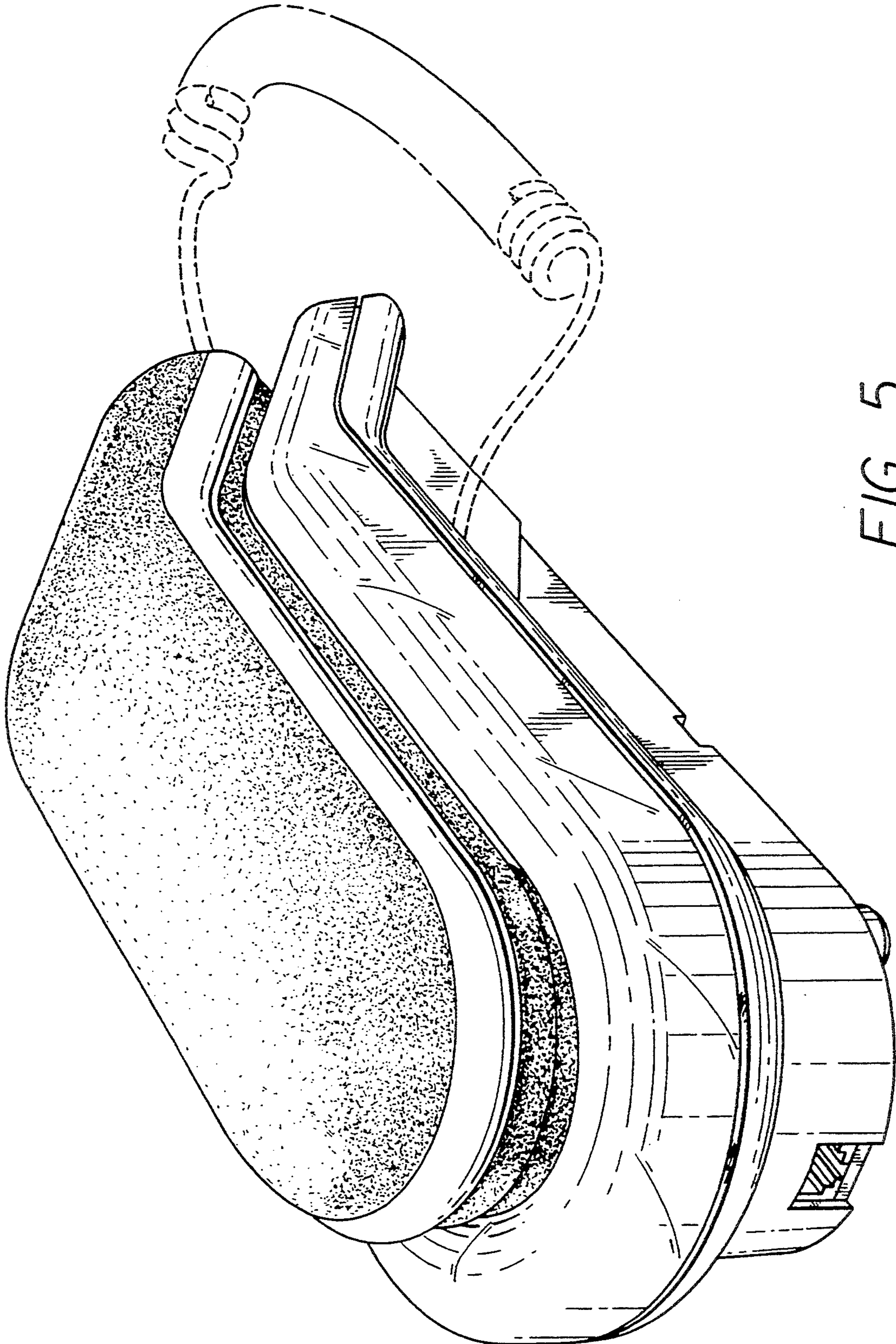


FIG. 5

