



US00D361070S

# United States Patent [19]

[11] Patent Number: **Des. 361,070**

Wall et al.

[45] Date of Patent: **\*\* Aug. 8, 1995**

[54] **STAND FOR A RADIOTELEPHONE**

[75] Inventors: **Eugene J. Wall, La Grange; Bruce D. Hiller, Hawthorn Woods; Bradford F. Butts, Des Plaines, all of Ill.**

[73] Assignee: **Motorola, Schaumburg, Ill.**

[\*\*] Term: **14 Years**

[21] Appl. No.: **13,690**

[22] Filed: **Sep. 30, 1993**

[52] U.S. Cl. .... **D14/253; D14/251; D19/87; D19/92**

[58] Field of Search ..... **D19/87, 92; D6/574, D6/466, 429; D14/251, 253, 149-151, 142; 379/454, 455, 446**

[56] **References Cited**

**U.S. PATENT DOCUMENTS**

- D. 230,992 3/1974 Morgan ..... D6/574 X
- D. 249,351 9/1978 Mattera ..... D19/87 X
- D. 254,253 2/1980 Haley ..... D19/87 X
- D. 283,189 4/1986 Hampton ..... D6/574

- D. 309,307 7/1990 Sigurdson ..... D14/251
- D. 312,185 11/1990 Prater, Sr. .... D6/574
- D. 317,157 5/1991 Jondelius ..... D14/253
- D. 323,777 2/1992 Knox, III ..... D6/574 X
- 4,527,018 7/1985 Offredi ..... D14/253 X
- 4,776,553 10/1988 Kobayashi ..... 379/454
- 5,253,292 10/1993 Fluder et al. .... 379/446 X

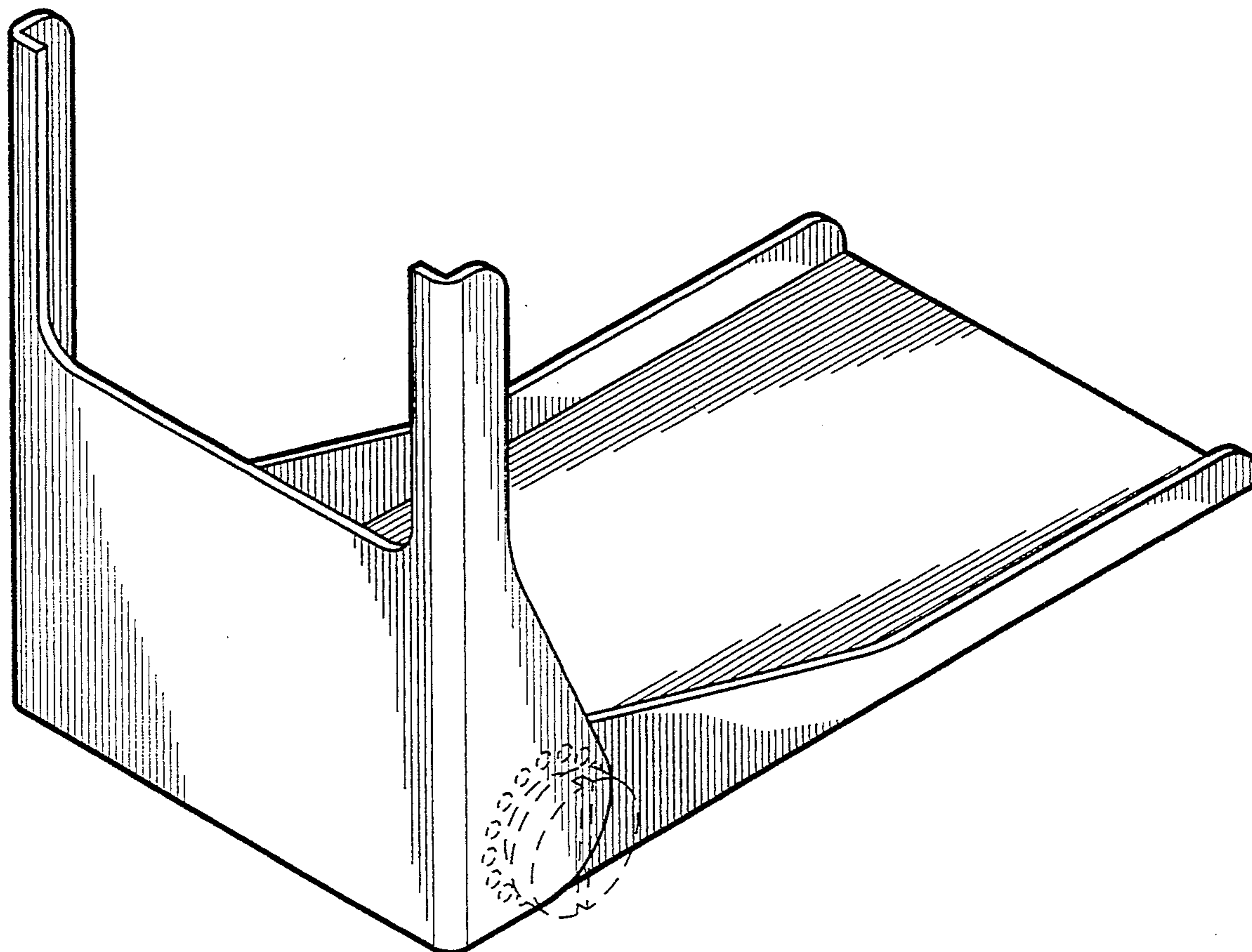
*Primary Examiner*—Jeffrey Asch  
*Attorney, Agent, or Firm*—Kevin D. Kaschke

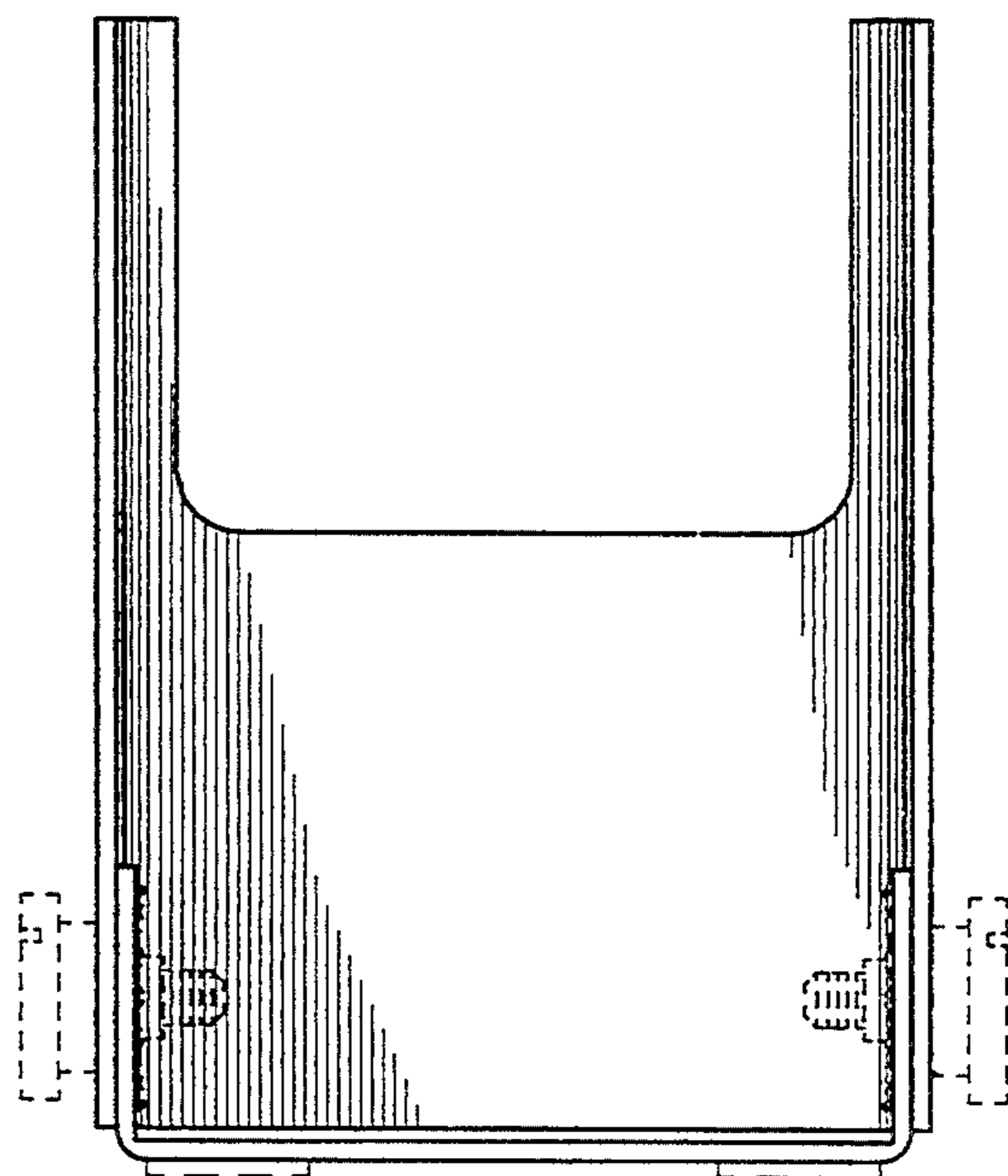
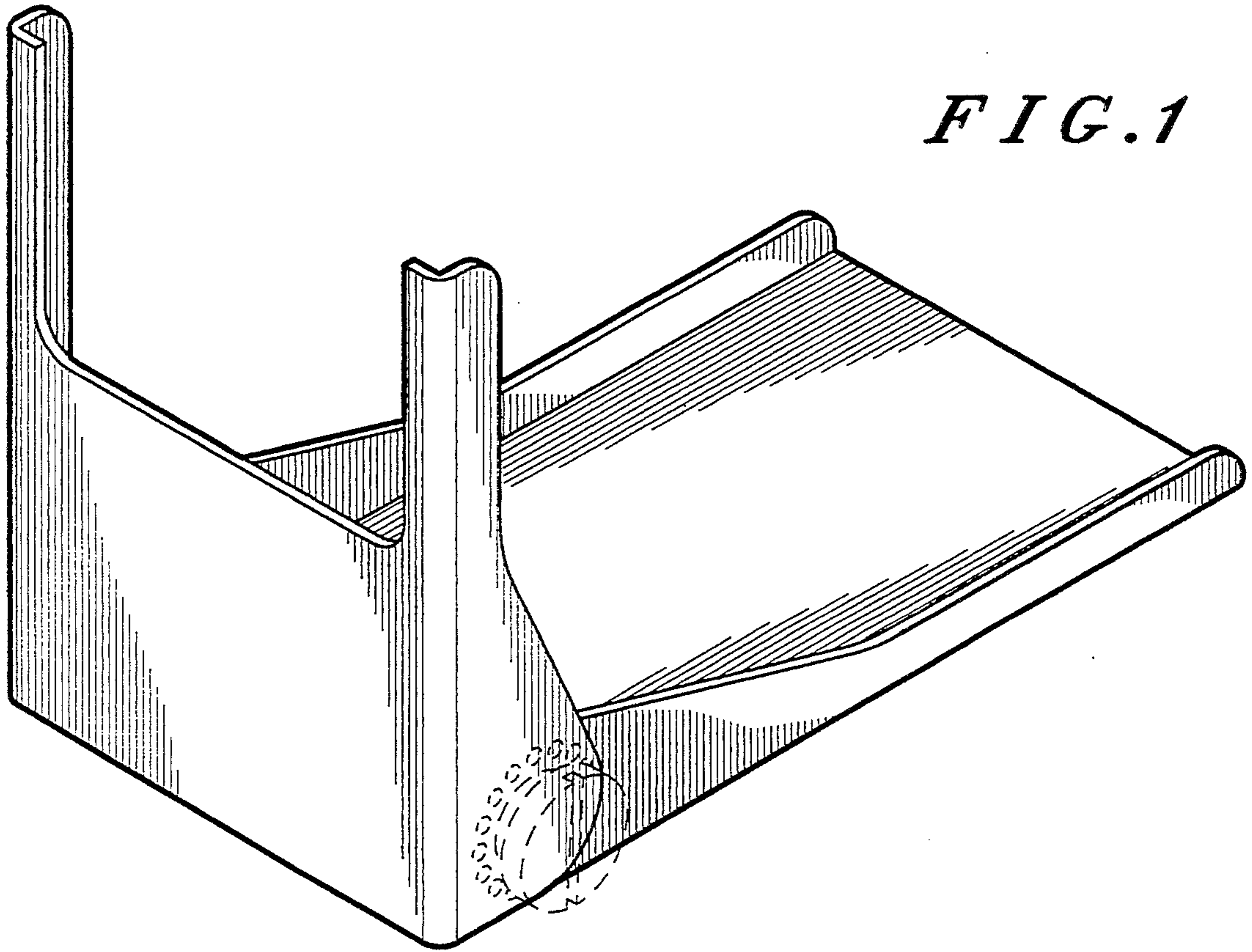
[57] **CLAIM**

The ornamental design for a stand for a radiotelephone, as shown and described.

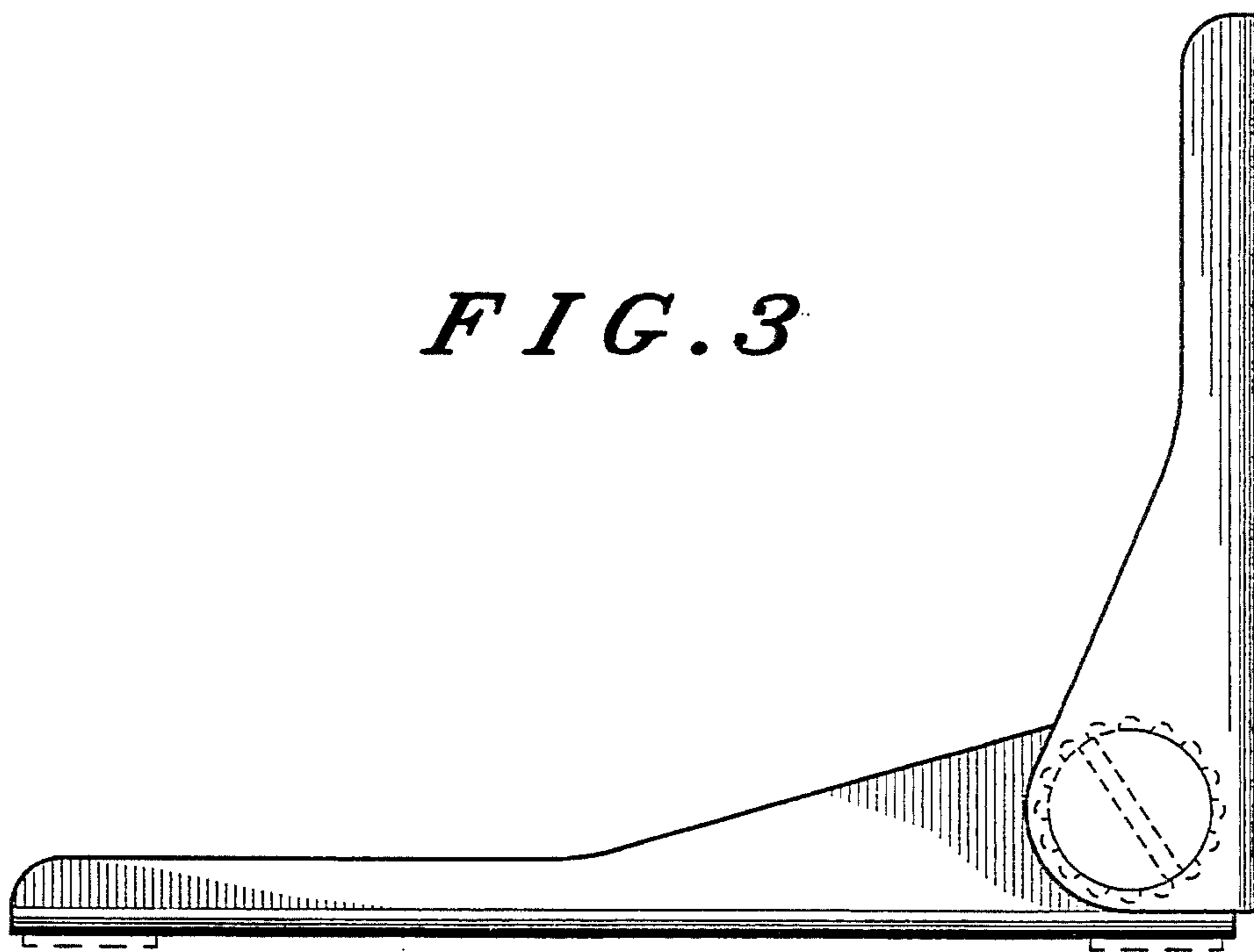
**DESCRIPTION**

FIG. 1 is a top, front and right side perspective view of a stand for a radiotelephone showing our new design; FIG. 2 is a rear side elevational view thereof; FIG. 3 is a left side elevational view thereof, the right side elevational view thereof being a mirror image of the left side elevational view; and, FIG. 4 is a bottom side plan view thereof. The broken line matter in all figures is for illustrative purposes only and forms no part of the claimed design.

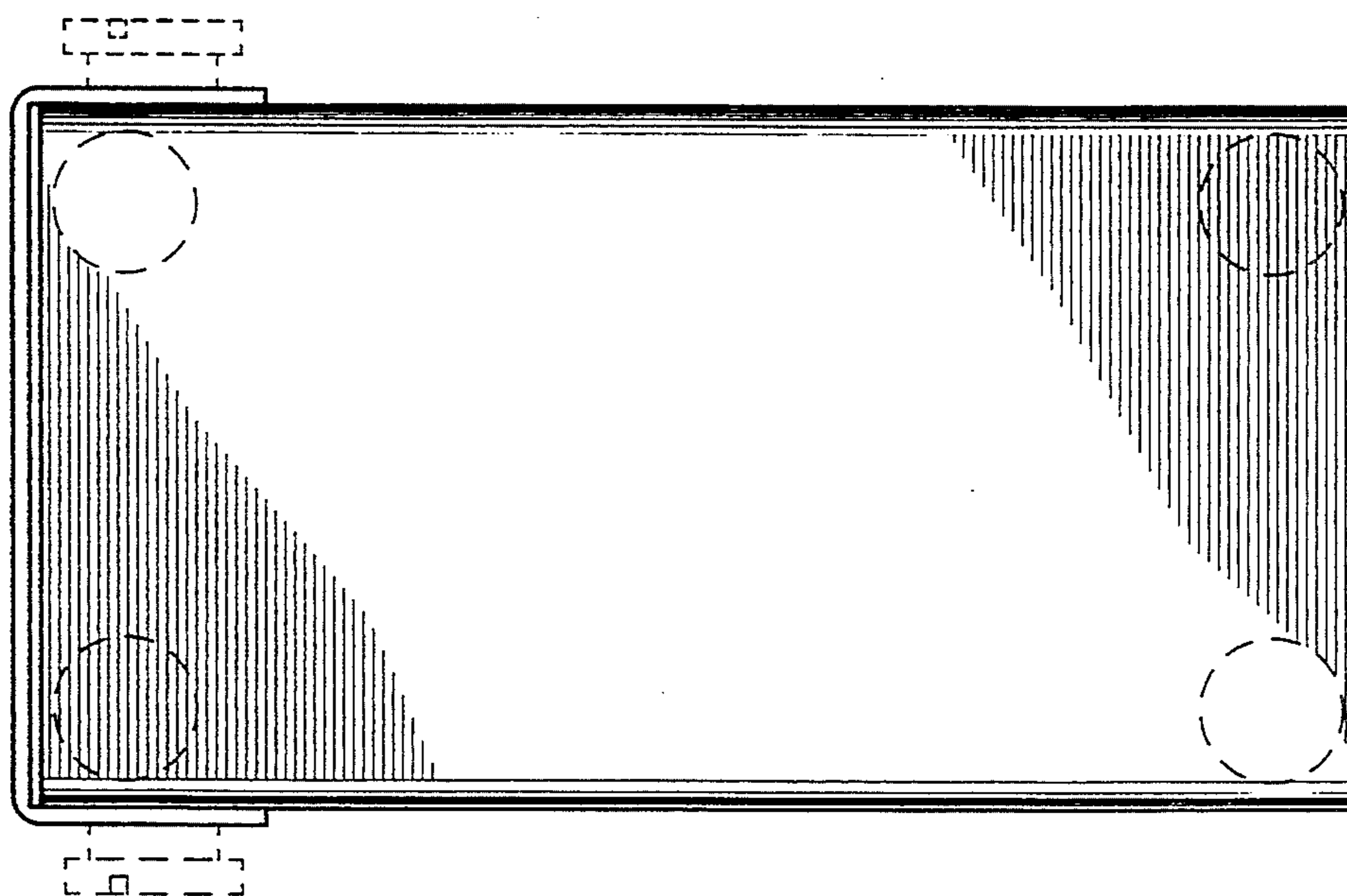




*FIG. 3*



*FIG. 4*



UNITED STATES PATENT AND TRADEMARK OFFICE  
**CERTIFICATE OF CORRECTION**

PATENT NO. : Des. 361,070

DATED : Aug. 8, 1995

INVENTOR(S) : Eugene J. Wall, Bruce D. Hillier, Bradford F. Butts

It is certified that error appears in the above-identified patent and that said Letters Patent is hereby corrected as shown below: On the title page: Item [75]

Inventors: delete "Hiller"; insert --Hillier--

Signed and Sealed this  
Ninth Day of July, 1996



BRUCE LEHMAN

Commissioner of Patents and Trademarks

Attest:

Attesting Officer