



US00D361067S

# United States Patent [19]

[11] Patent Number: **Des. 361,067**

**Brehmer et al.**

[45] Date of Patent: **\*\* Aug. 8, 1995**

[54] **FIXED-POSITION ANTENNA-MOUNTING BRACKET ASSEMBLY**

[75] Inventors: **Todd G. Brehmer**, San Jose; **A. Warren Berg**, Newark; **Allen F. Podell**, Palo Alto, all of Calif.

[73] Assignee: **Pacific Monolithics, Inc.**, Sunnyvale, Calif.

[\*\*] Term: **14 Years**

[21] Appl. No.: **21,888**

[22] Filed: **Apr. 25, 1994**

[52] U.S. Cl. .... **D14/238; D8/373**

[58] Field of Search ..... **D8/373, 396; D14/238; 248/534, 536, 539, 511, 516, 519**

[56] **References Cited**

**U.S. PATENT DOCUMENTS**

D. 136,004	7/1943	Allied	.....	D8/373
D. 248,026	5/1978	Gostomski	.....	D14/238
D. 342,953	1/1994	Yoder	.....	D14/238
D. 343,840	1/1994	Watanabe	.....	D14/238
3,208,703	9/1965	Arnold et al.	.....	248/536 X
3,230,533	1/1966	Brill	.....	343/720

*Primary Examiner*—Dominic Simone

*Attorney, Agent, or Firm*—Edward B. Anderson

[57] **CLAIM**

The ornamental design for a fixed-position antenna-mounting bracket assembly, as shown.

**DESCRIPTION**

FIG. 1 is a front perspective view of a fixed-position antenna-mounting bracket assembly showing our design;

FIG. 2 is a top plan view of the fixed-position antenna-mounting bracket assembly of FIG. 1;

FIG. 3 is a bottom plan view of the fixed-position antenna-mounting bracket assembly of FIG. 1;

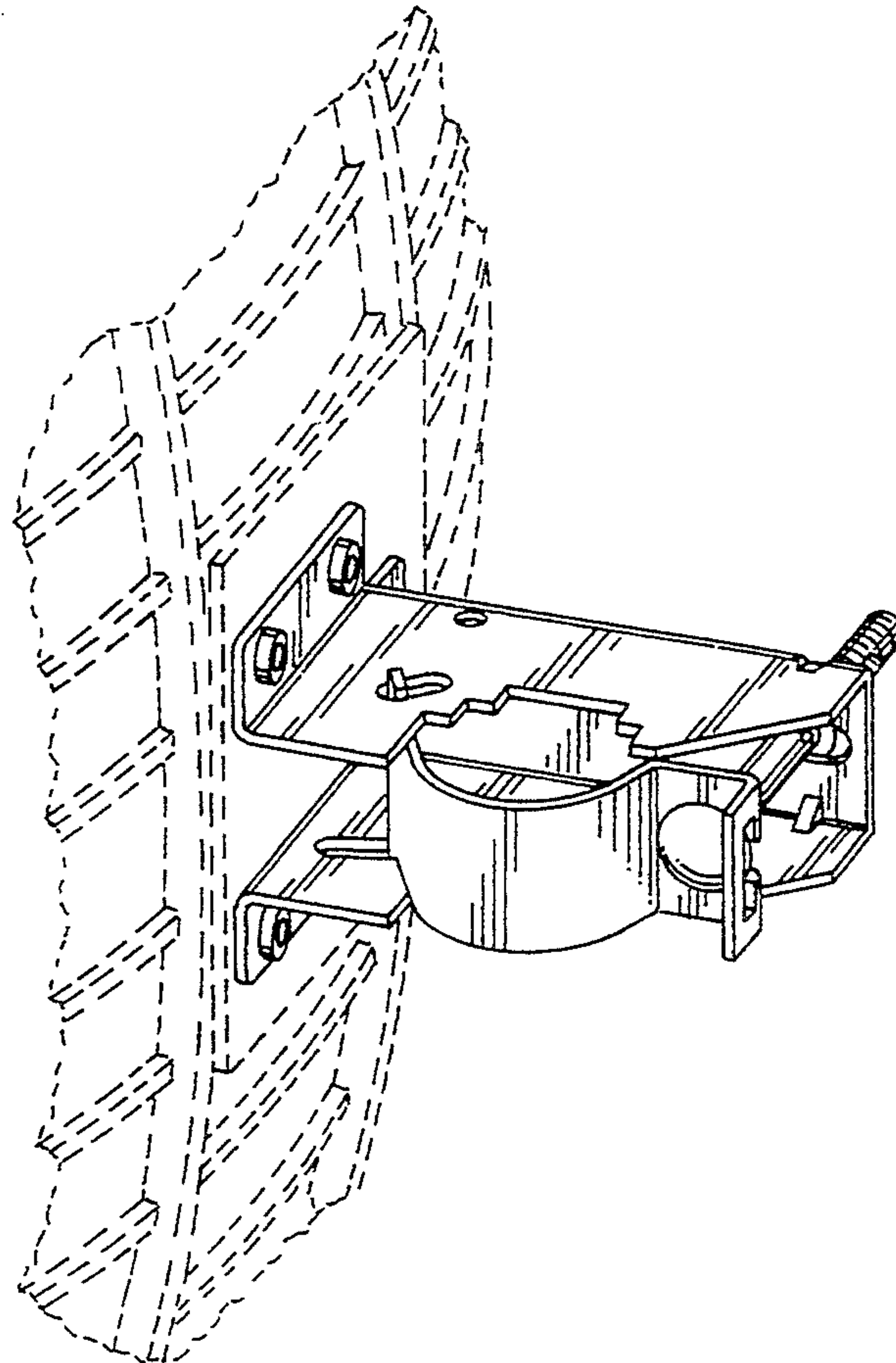
FIG. 4 is a front view in elevation of the fixed-position antenna-mounting bracket assembly of FIG. 1;

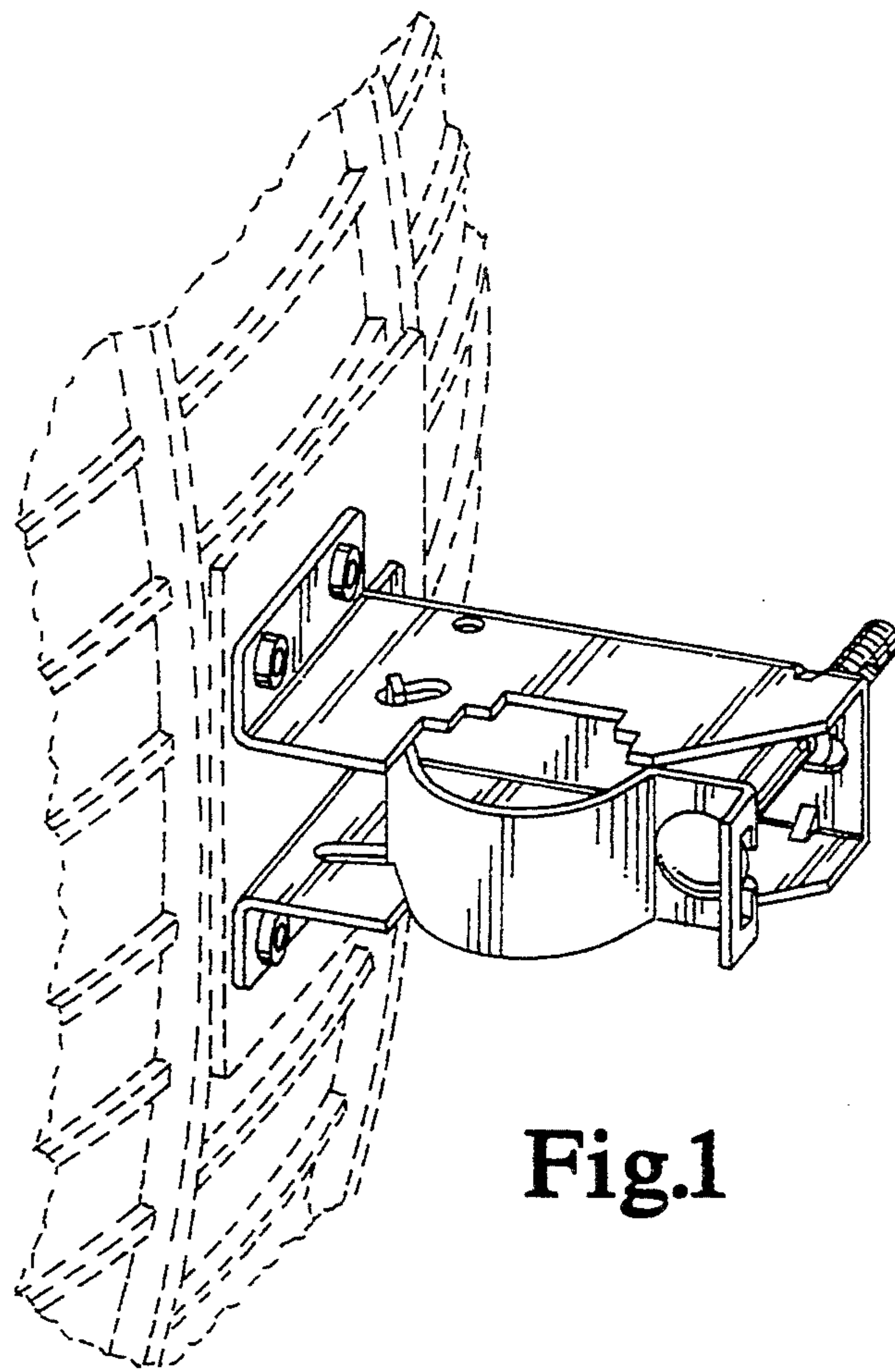
FIG. 5 is a rear view in elevation of the fixed-position antenna-mounting bracket assembly of FIG. 1;

FIG. 6 is a side view of the fixed-position antenna-mounting bracket assembly of FIG. 1 as seen from the left-hand side of FIG. 4; and,

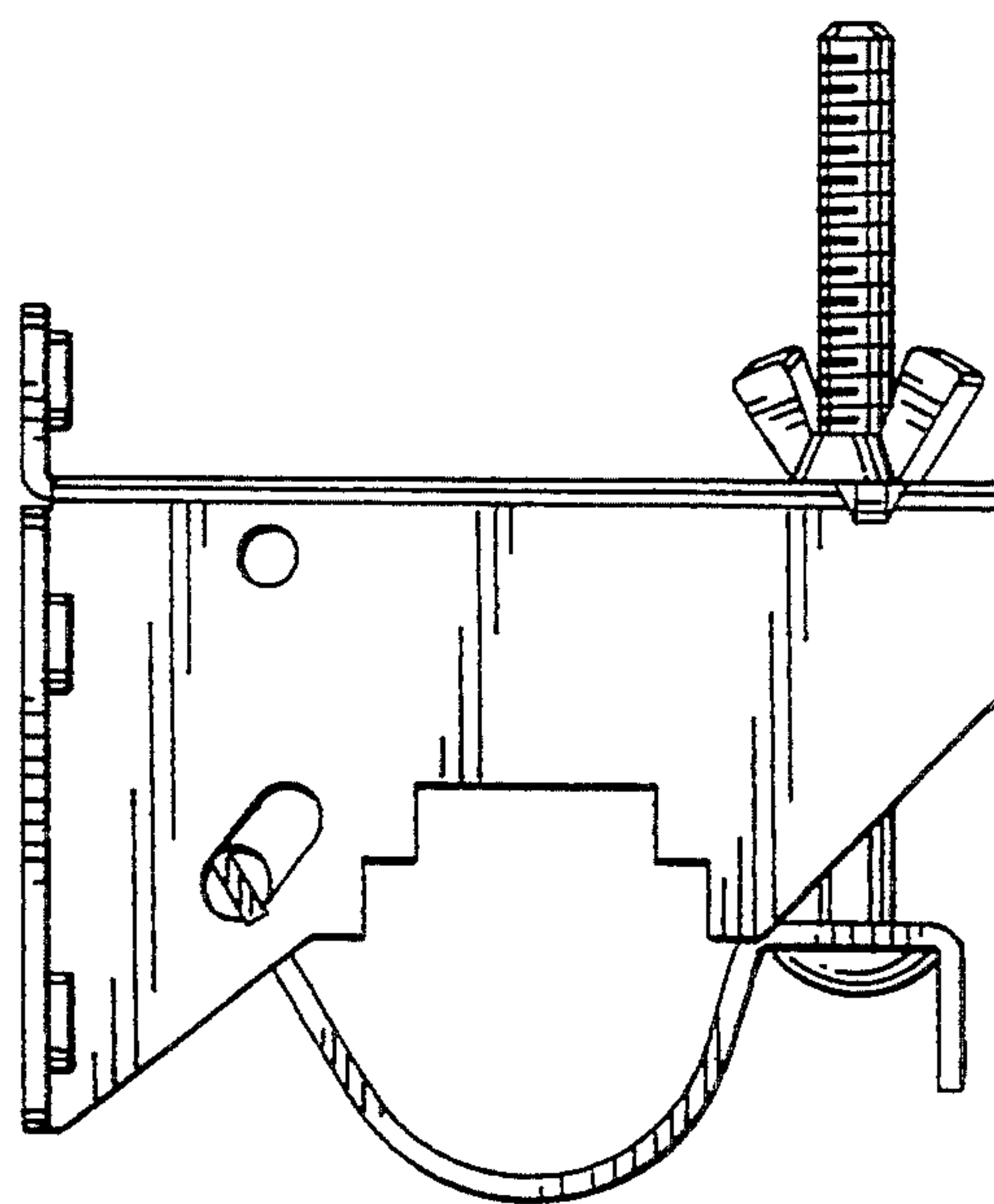
FIG. 7 is a side view of the fixed-position antenna-mounting bracket assembly of FIG. 1 as seen from the right-hand side of FIG. 4.

The broken lines in FIG. 1 showing a fragment of an antenna are for illustrative purposes only and form no part of the claimed design.





**Fig.1**



**Fig.2**

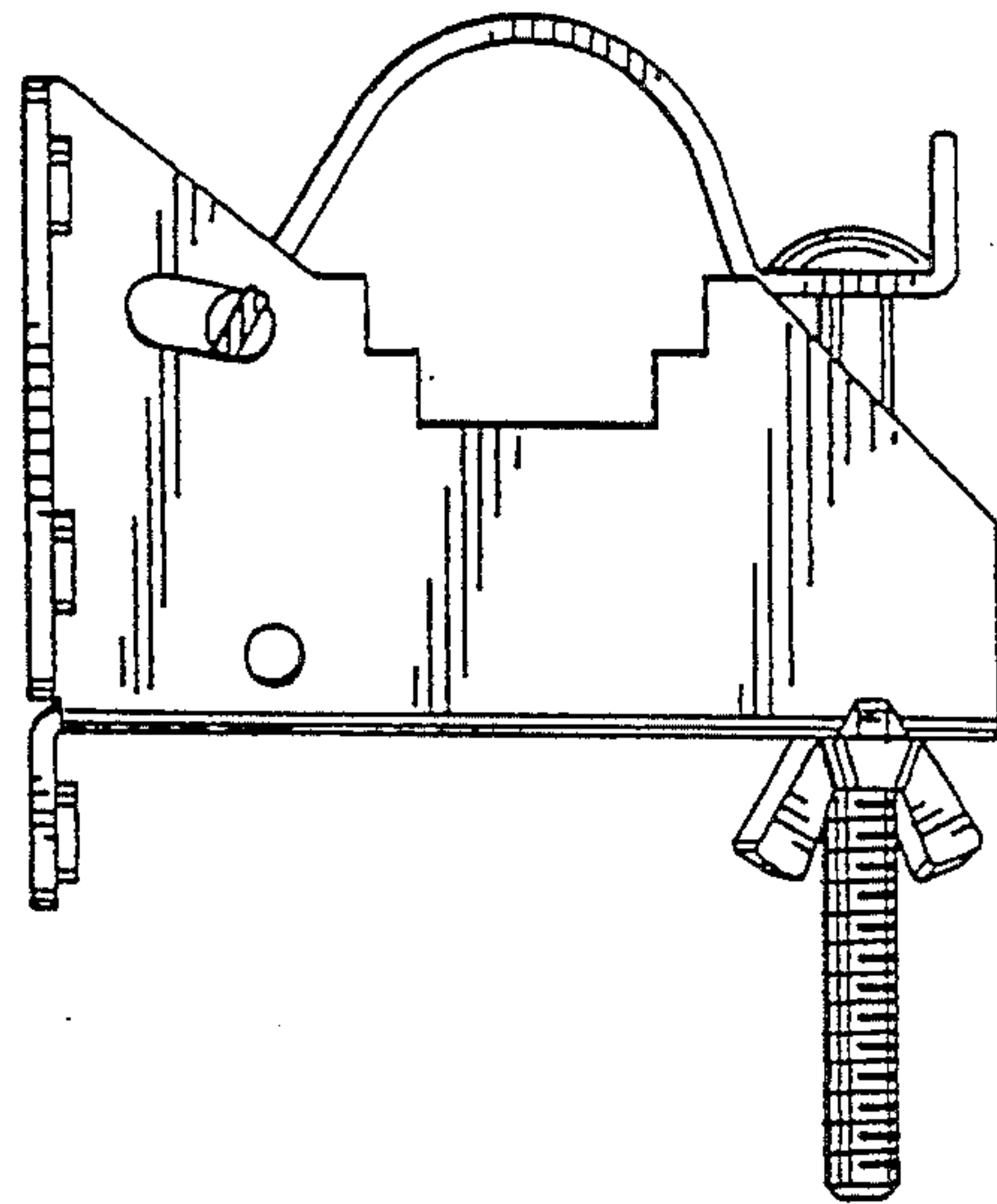


Fig.3

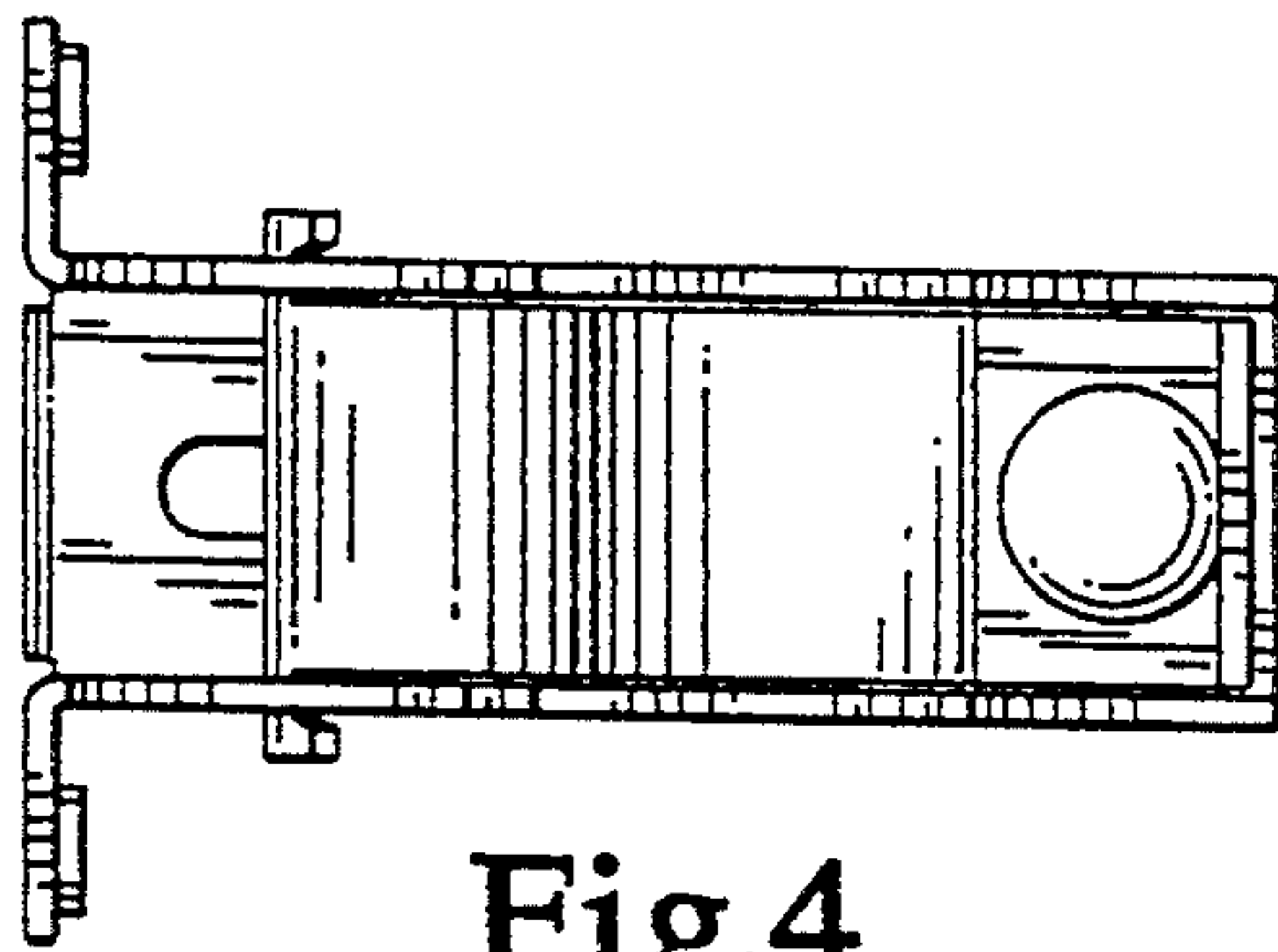


Fig.4

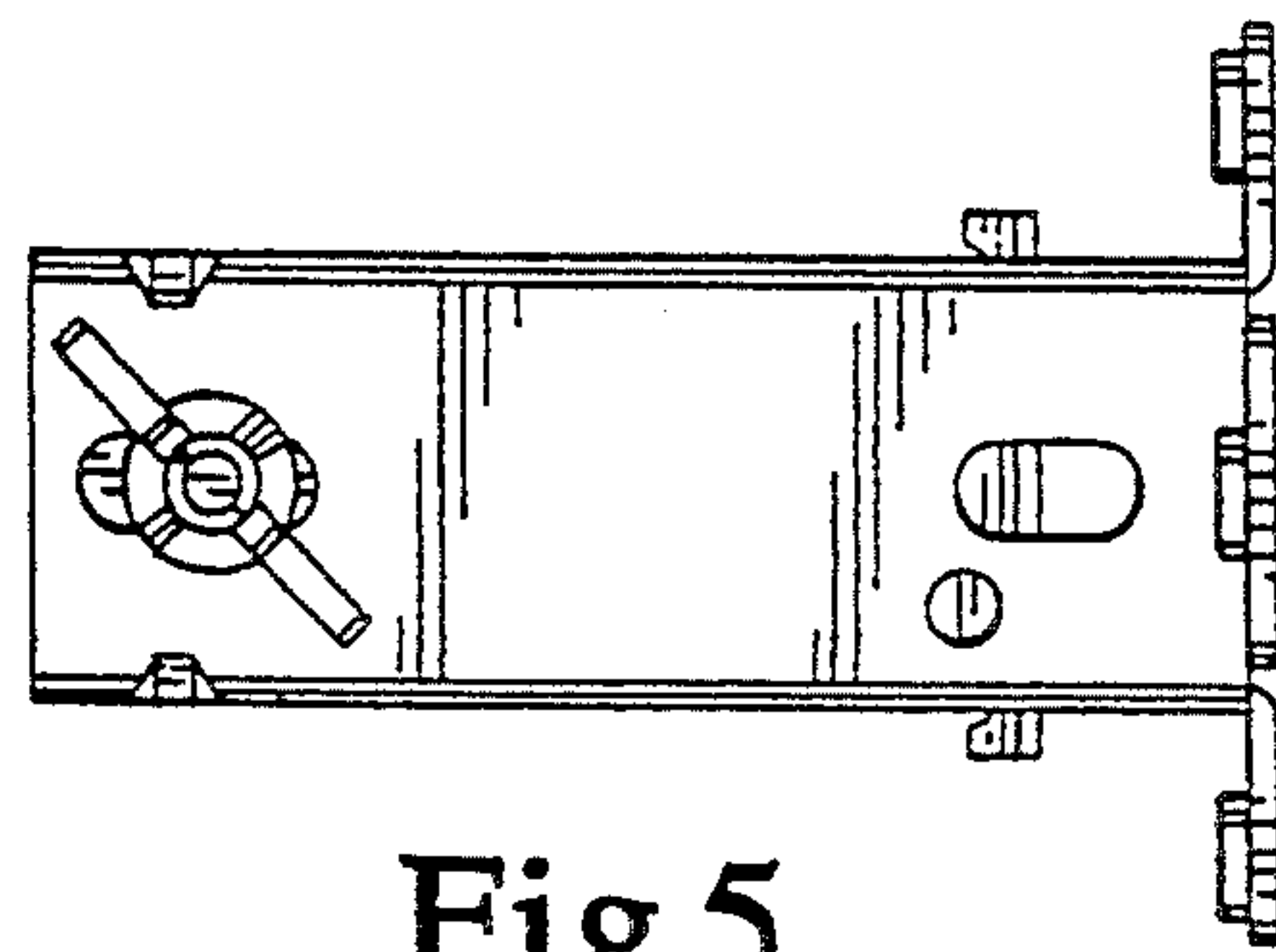


Fig.5

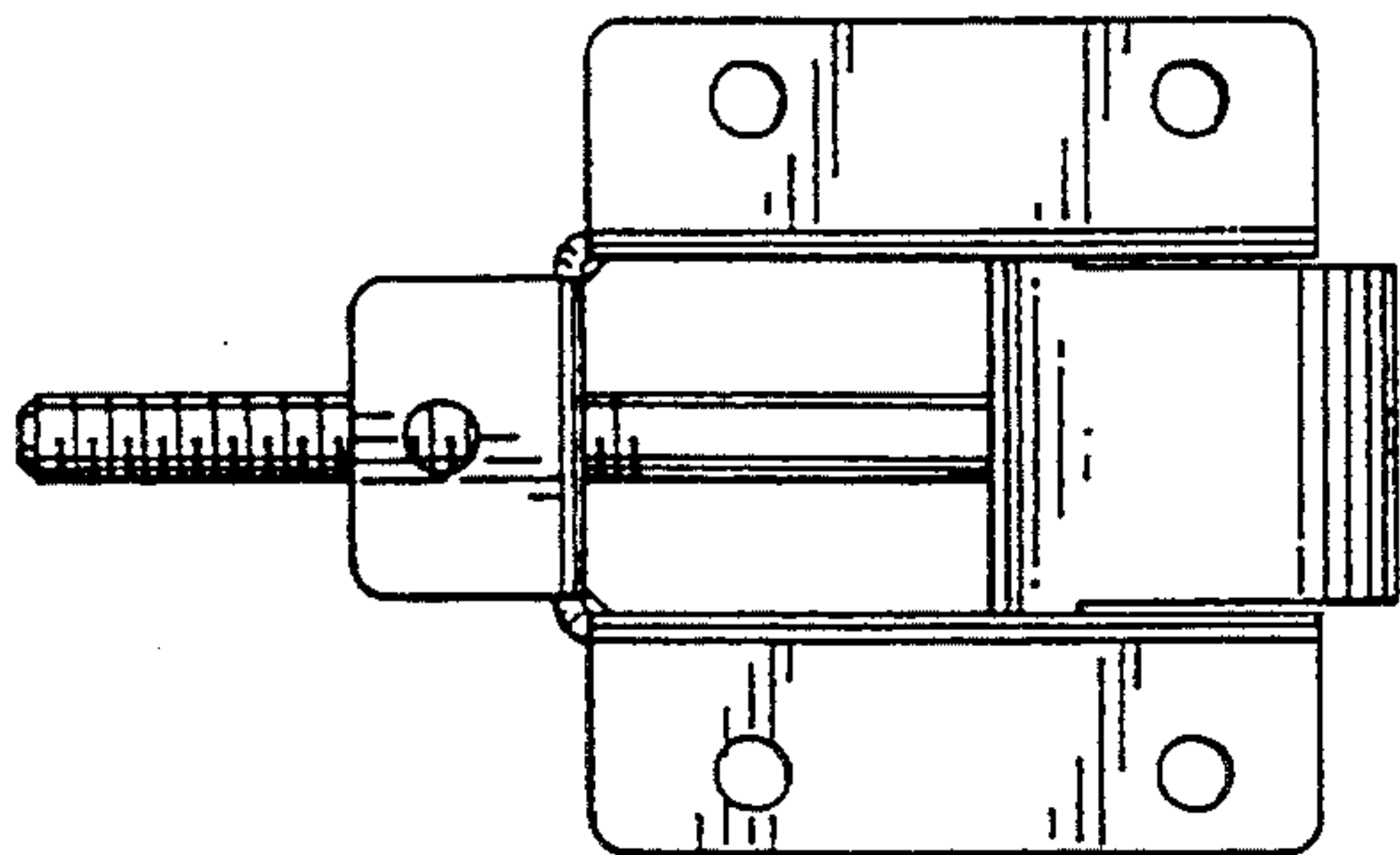


Fig.6

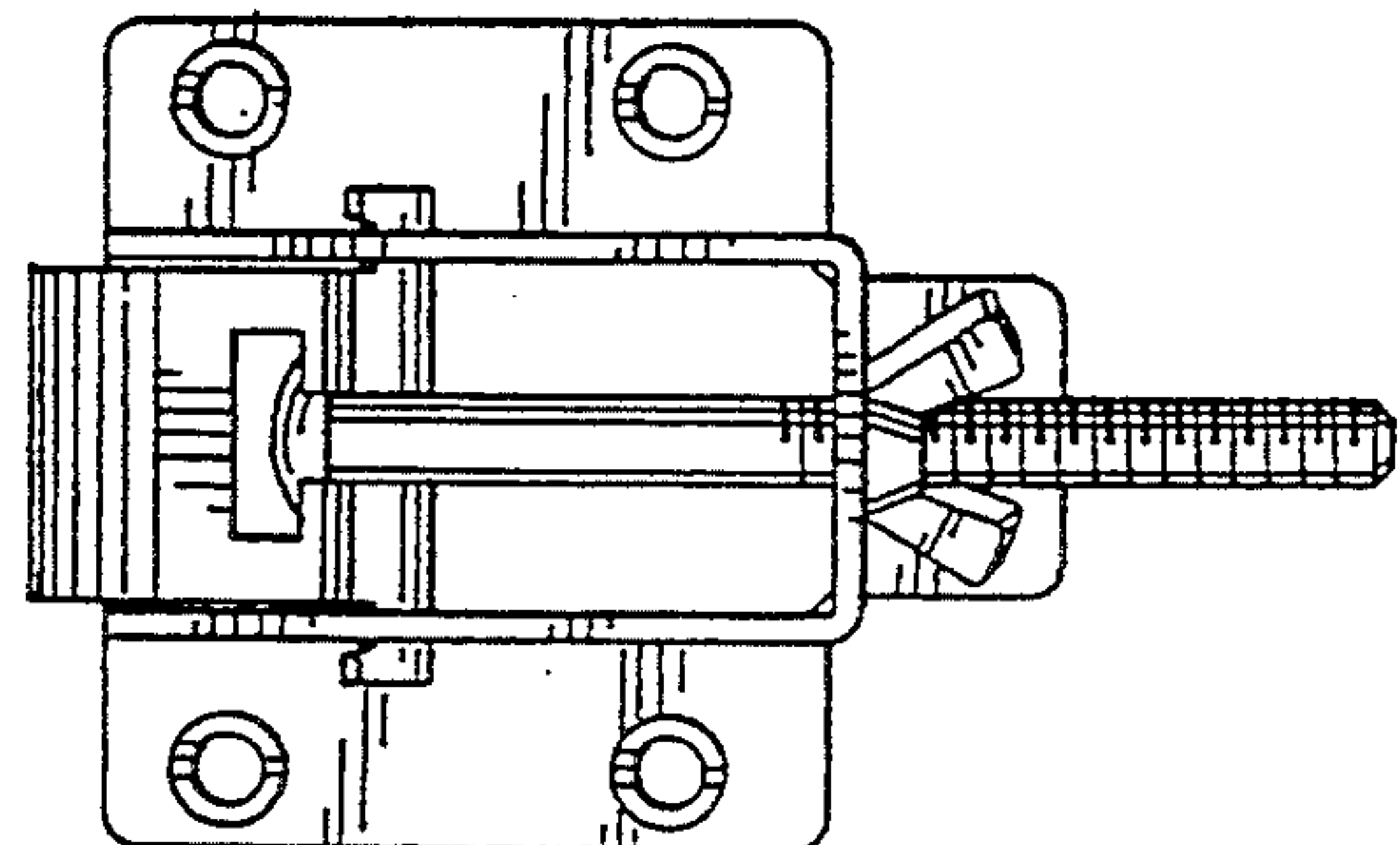


Fig.7