



US00D361059S

United States Patent [19]

[11] Patent Number: **Des. 361,059**

De Waal

[45] Date of Patent: **** Aug. 8, 1995**

[54] ELECTRICAL OUTLET BOX COVER

[76] Inventor: **Peter De Waal**, 4013 W. Burbank Blvd., Burbank, Calif. 91505

[**] Term: **14 Years**

[21] Appl. No.: **20,732**

[22] Filed: **Mar. 30, 1994**

[52] U.S. Cl. **D13/177**

[58] Field of Search **D13/177, 158;**
200/43.01, 43.11, 43.22, 43.21, 43.16, 333, 334;
439/519, 528, 536; 174/66, 67; 220/3.4, 3.8,
241, 242

[56] References Cited

U.S. PATENT DOCUMENTS

1,956,196	4/1934	Korab	247/15
2,573,260	10/1951	Gorman	220/3.4
2,574,382	11/1951	Falson	220/3.8
2,788,151	4/1957	Shore	220/3.4
2,791,345	5/1957	Troutman	220/3.4
2,794,568	6/1957	Johnson	220/3.4
3,015,408	1/1962	Campbell	220/3.4
3,061,083	10/1962	Hubbell, Jr.	206/46
3,140,344	7/1964	Slater	174/67
3,293,588	12/1966	Blonder	174/67
3,613,044	10/1971	Rarick	220/242
3,811,004	5/1974	Moore	220/242
4,660,912	4/1987	Tomek	174/67
4,979,633	12/1990	Lakey .	
5,003,128	3/1991	Grondin .	
5,306,178	4/1994	Huang	439/536

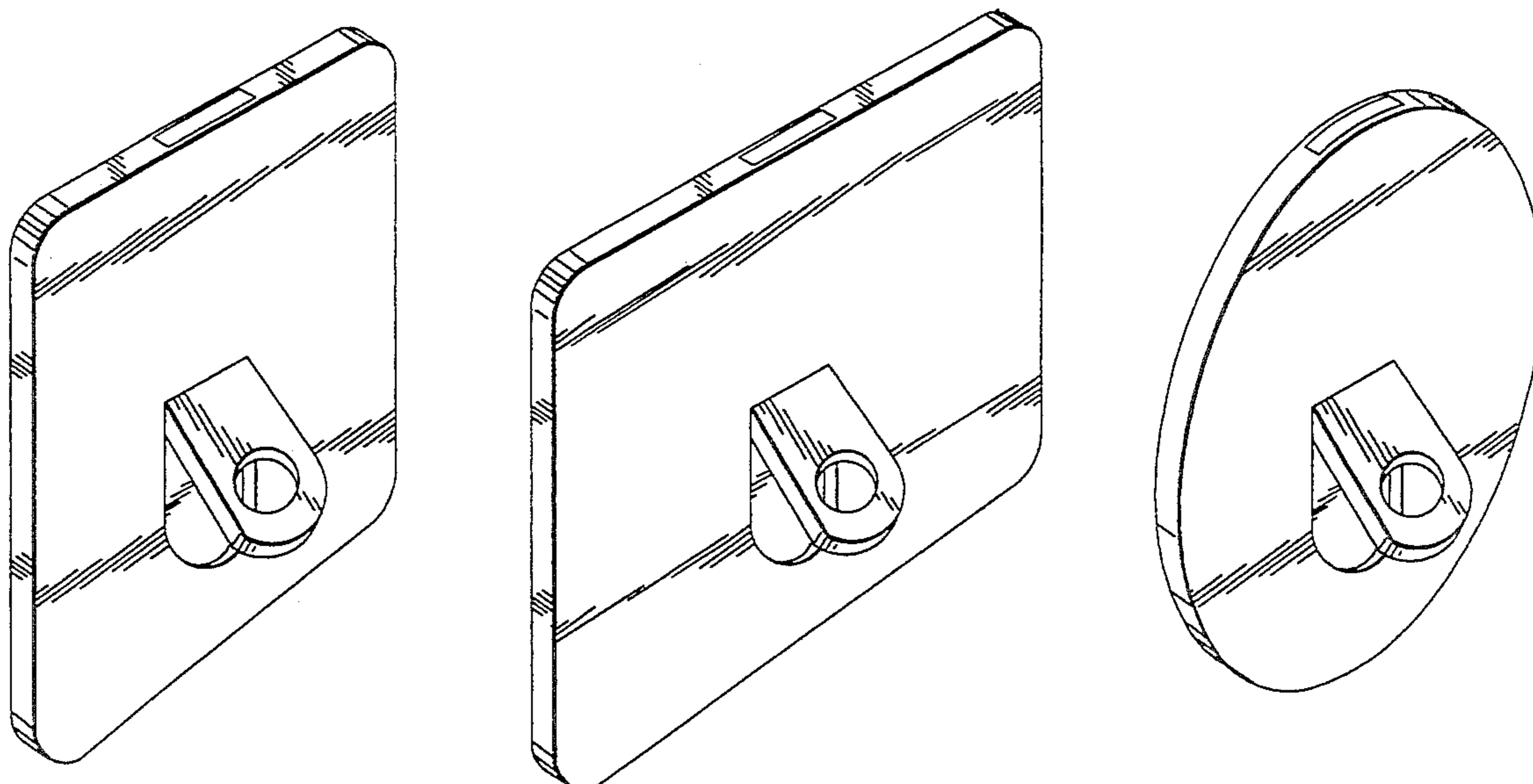
Primary Examiner—Brian N. Vinson
Assistant Examiner—Robin V. Taylor

[57] CLAIM

The ornamental design for an electrical outlet box cover, as shown and described.

DESCRIPTION

FIG. 1 is a front perspective view of an electrical outlet box cover showing my new design;
 FIG. 2 is a front view thereof;
 FIG. 3 is rear view thereof;
 FIG. 4 is a top view thereof;
 FIG. 5 is a side view thereof, the other side being a mirror image;
 FIG. 6 is a bottom view thereof;
 FIG. 7 is a front perspective view thereof, with the draw flap extended;
 FIG. 8 is a front perspective view of a second embodiment thereof;
 FIG. 9 is a front view thereof;
 FIG. 10 is a rear view thereof;
 FIG. 11 is a top view thereof;
 FIG. 12 is a side view thereof, the other side being a mirror image;
 FIG. 13 is a bottom view thereof;
 FIG. 14 is a front perspective view thereof;
 FIG. 15 is a front perspective view thereof, with the draw flap extended;
 FIG. 16 is a front view thereof;
 FIG. 17 is a rear view thereof;
 FIG. 18 is a top view thereof;
 FIG. 19 is a side view thereof, the other side being a mirror image;
 FIG. 20 is a bottom view thereof; and,
 FIG. 21 is a front perspective view thereof, with the draw flap extended.



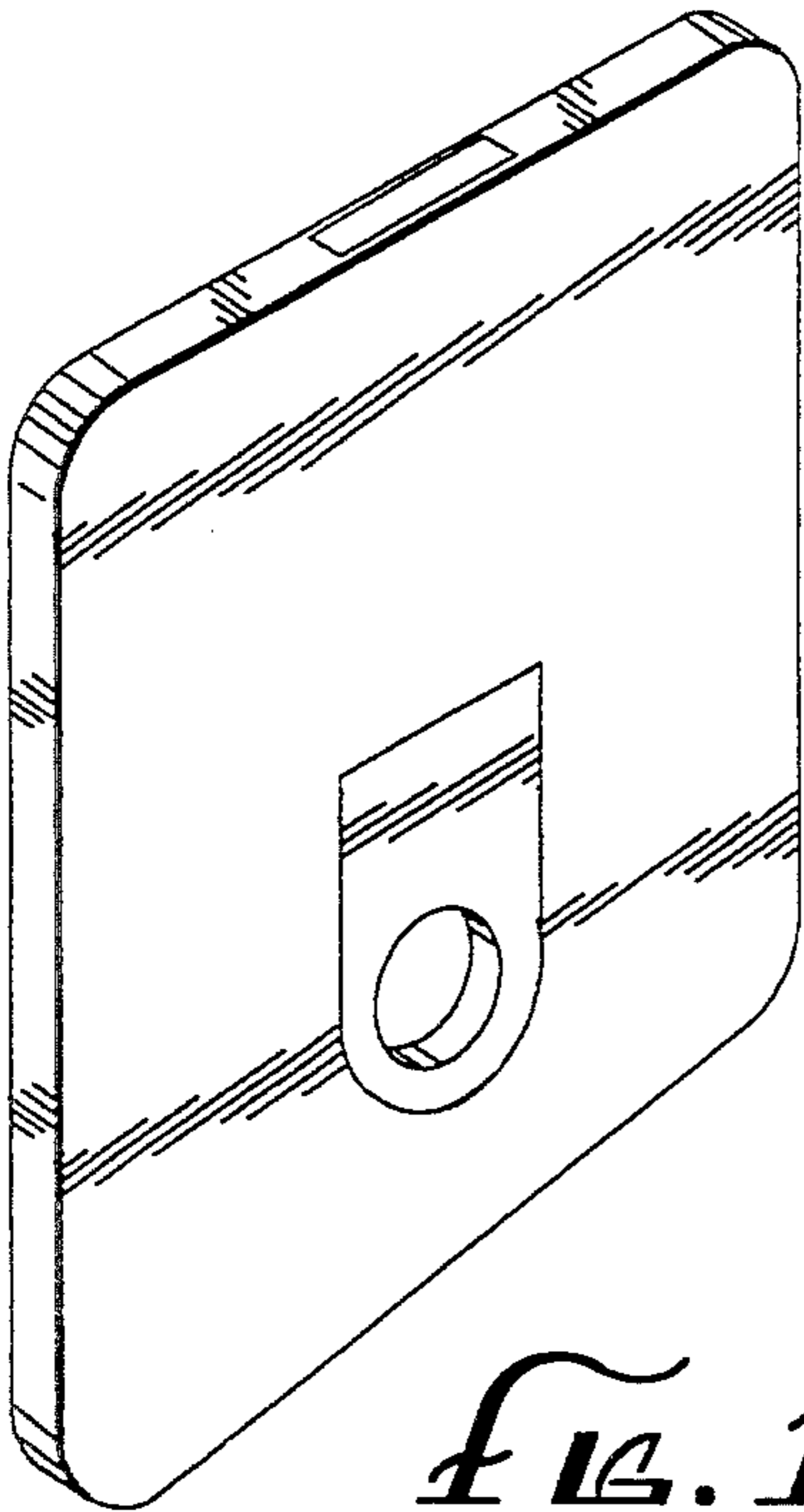


FIG. 1

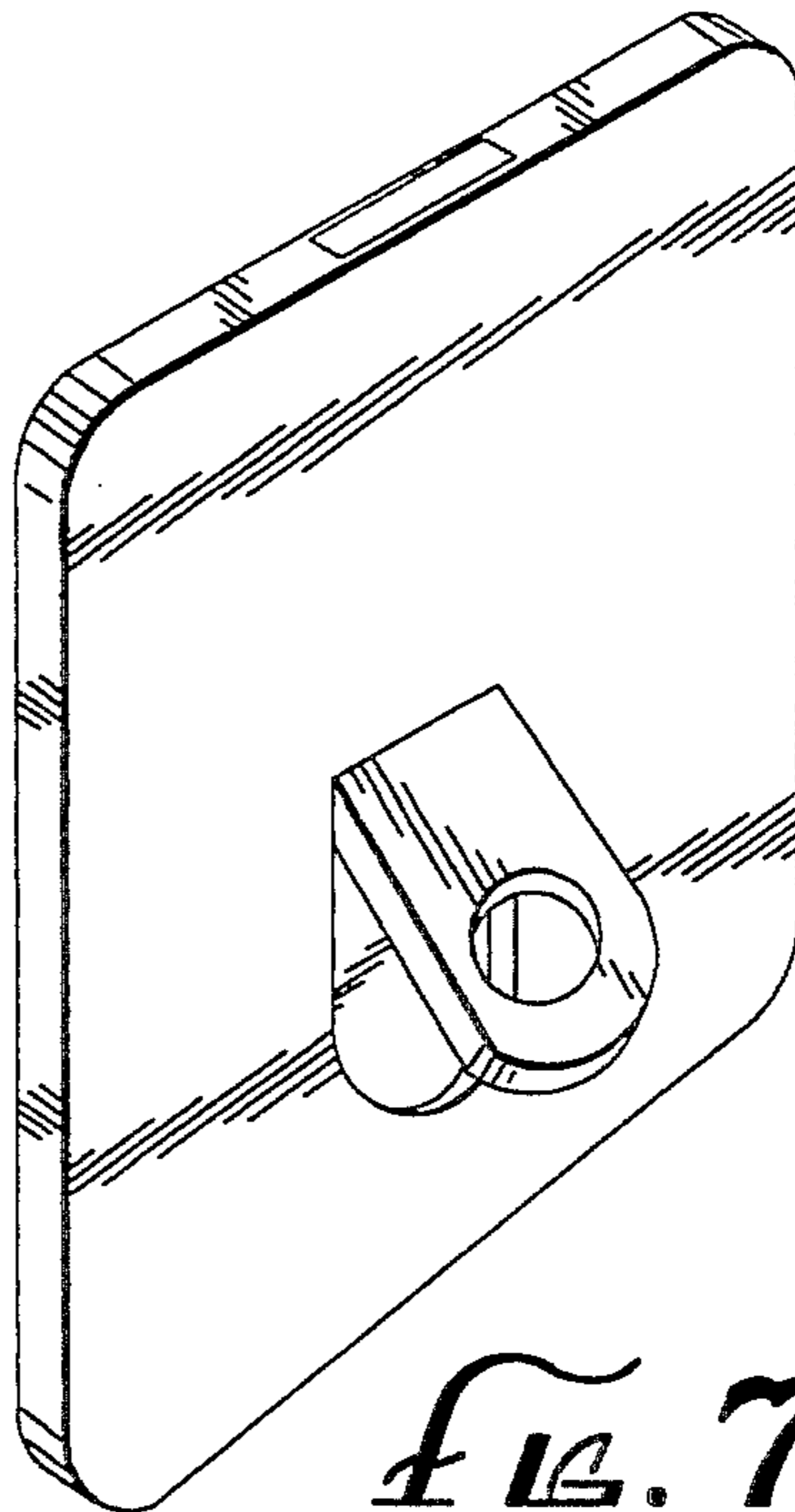


FIG. 7

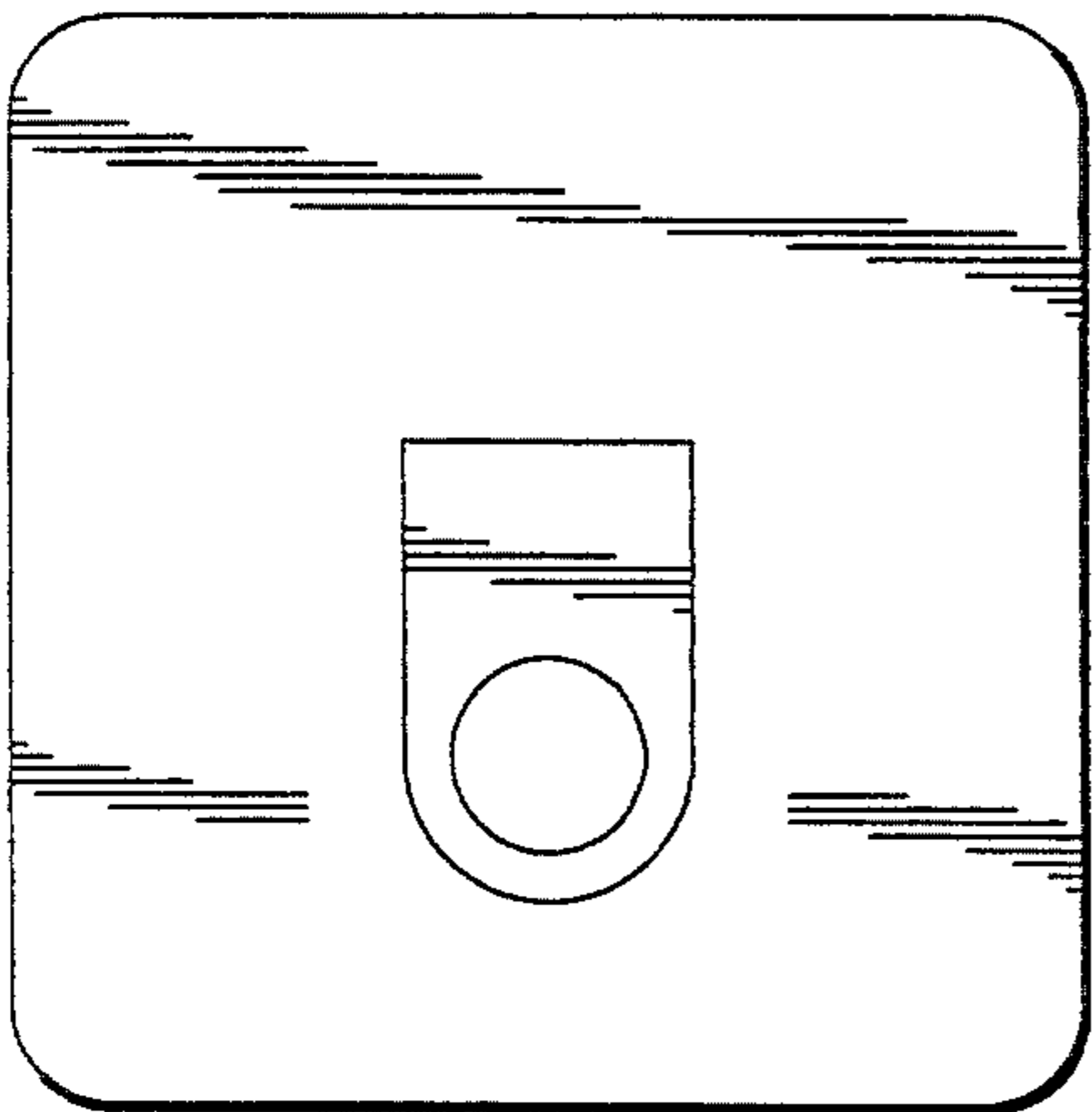


FIG. 2



FIG. 5

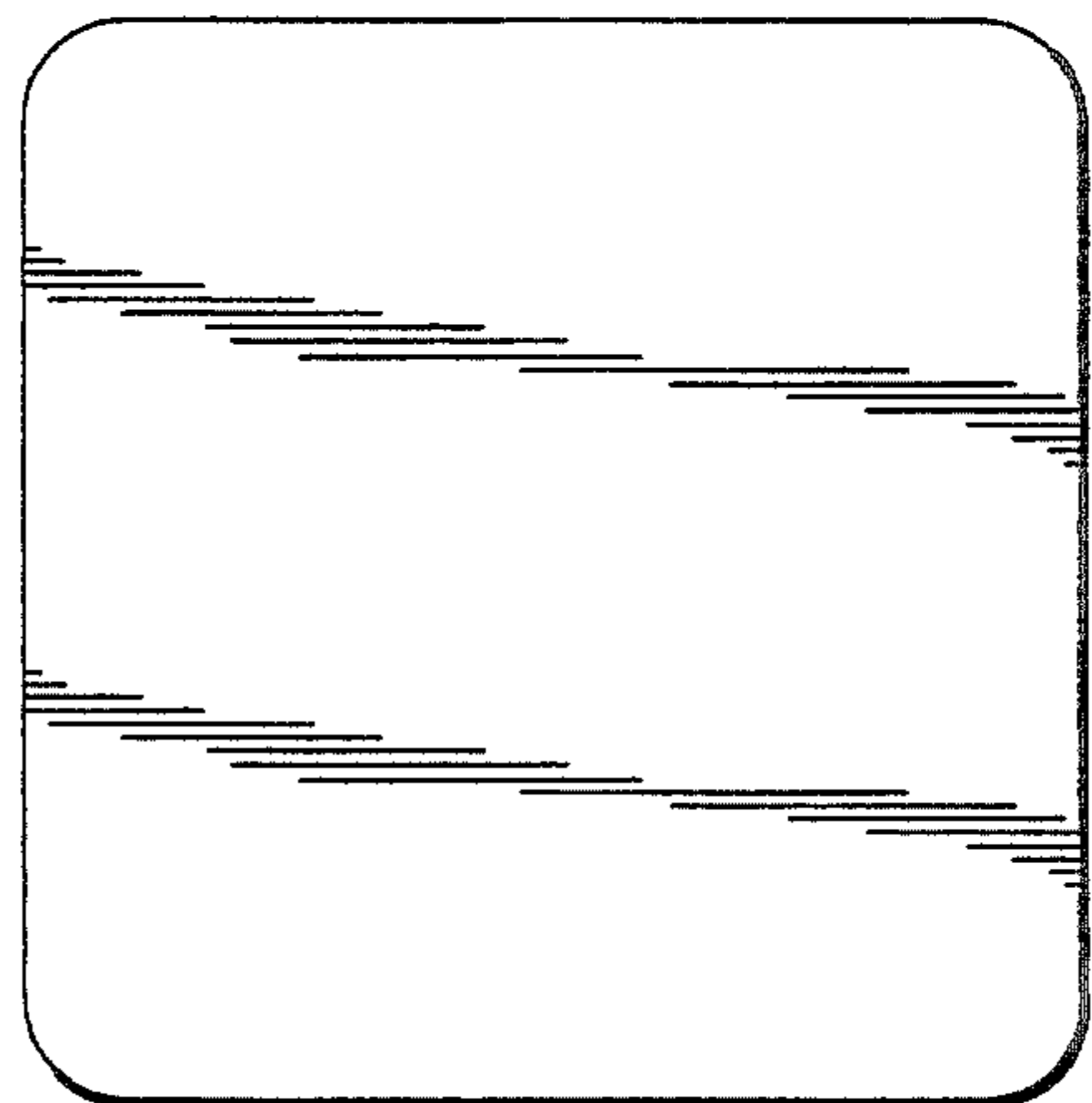


FIG. 3

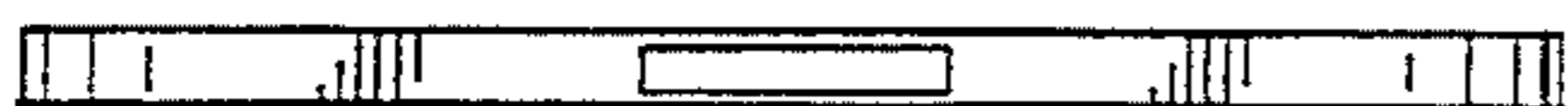


FIG. 4



FIG. 6

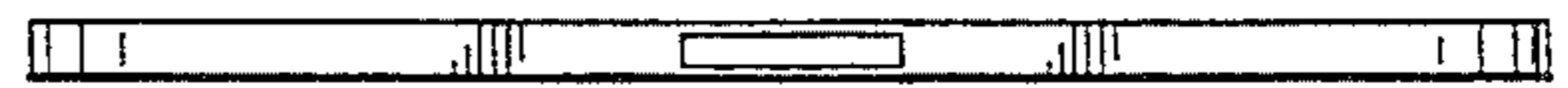
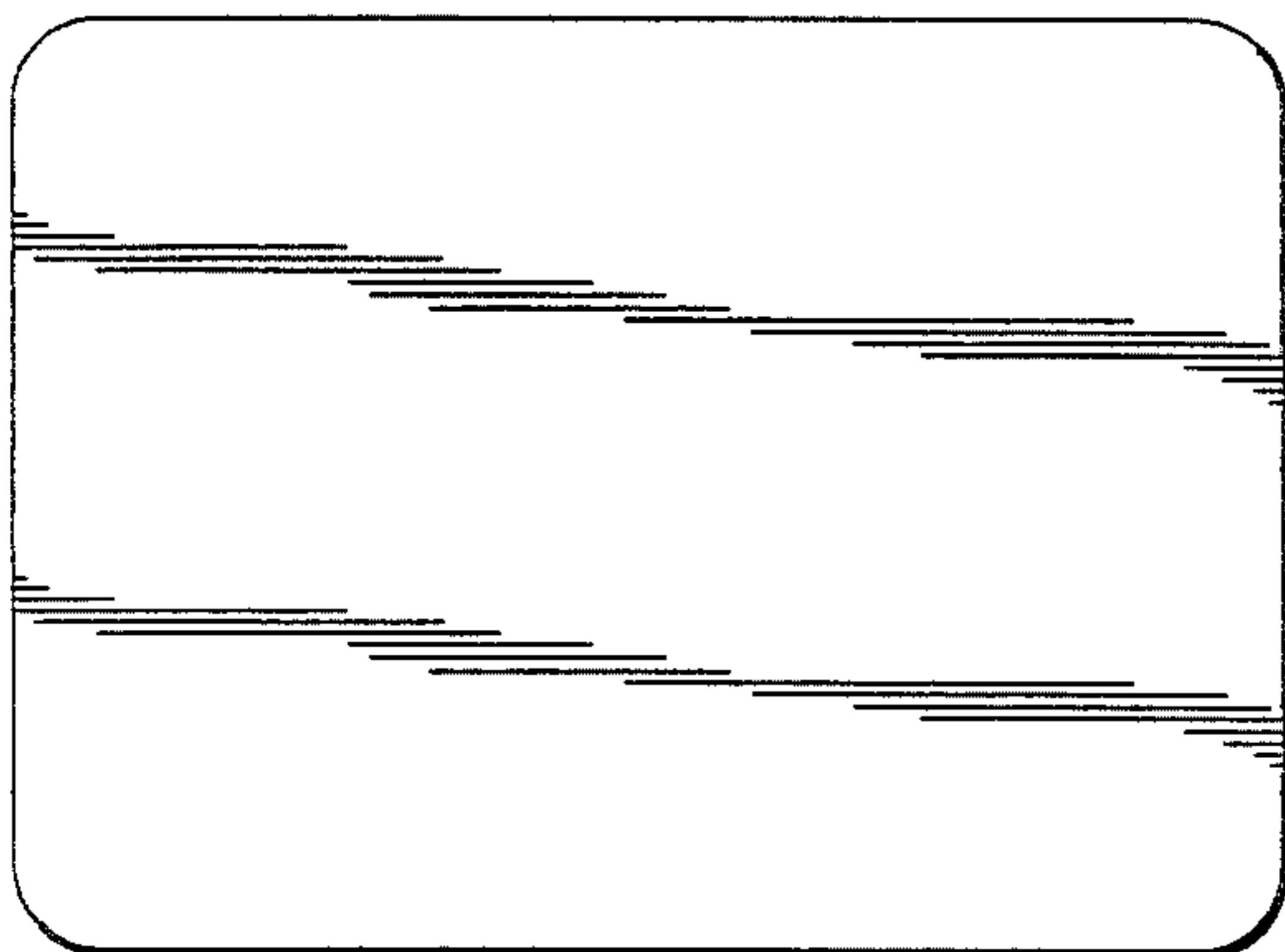
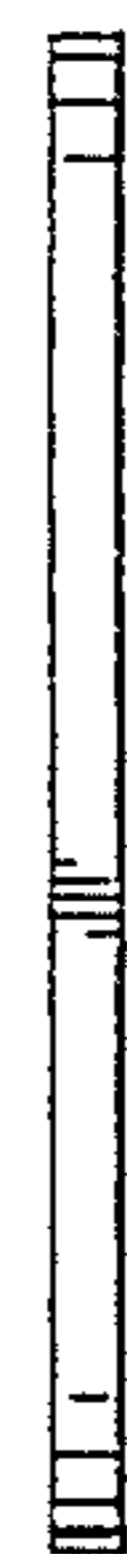
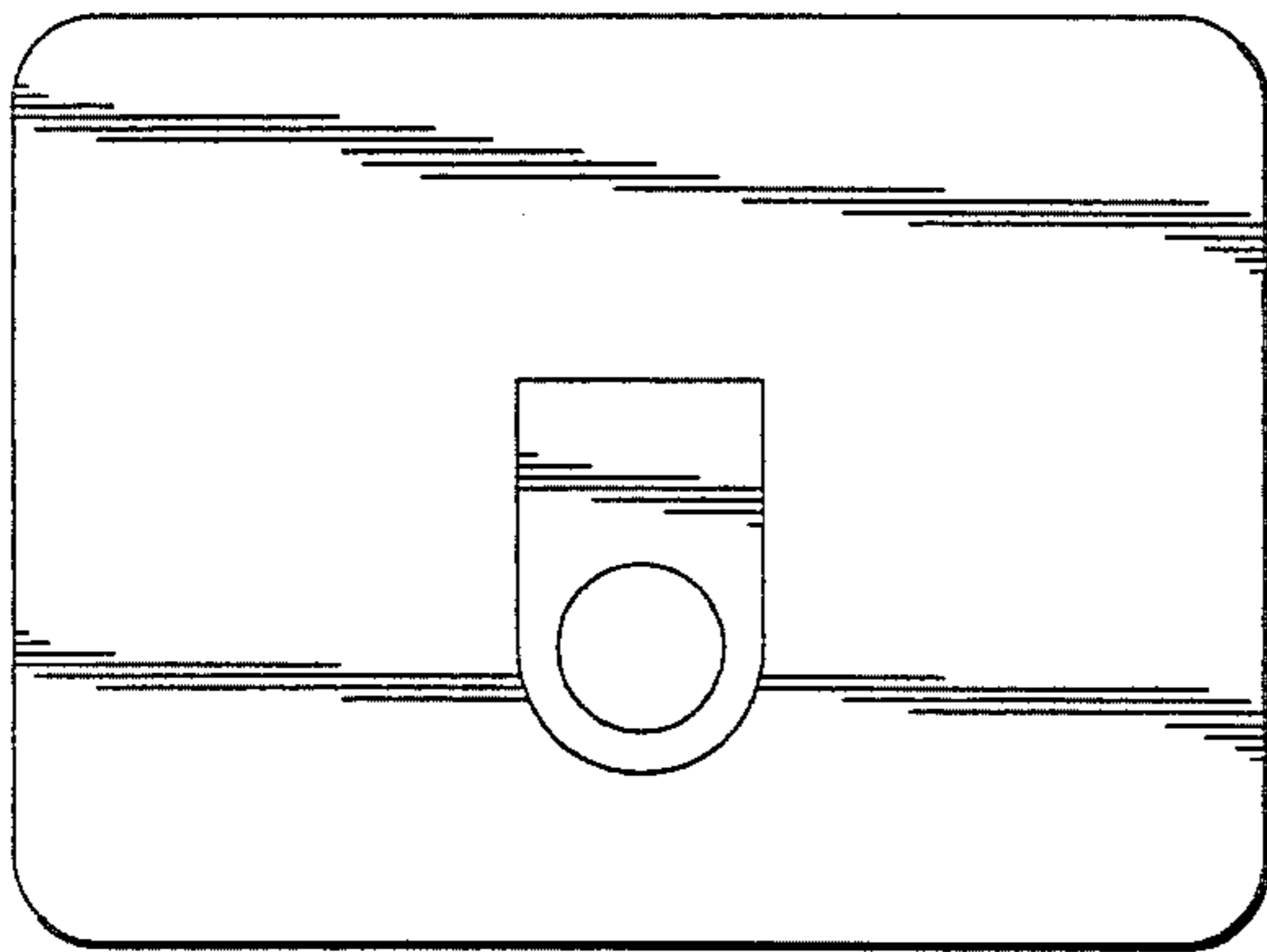
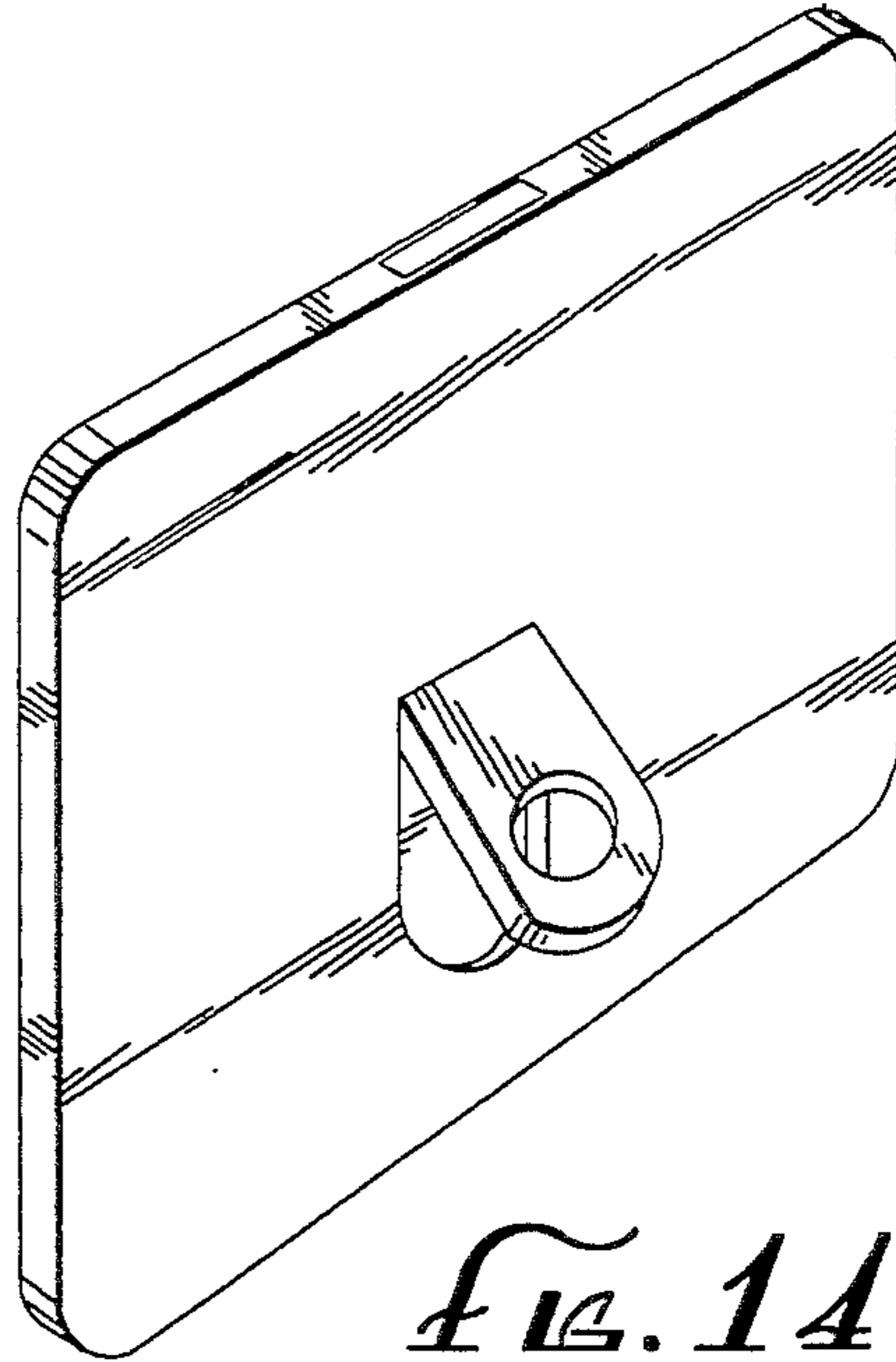
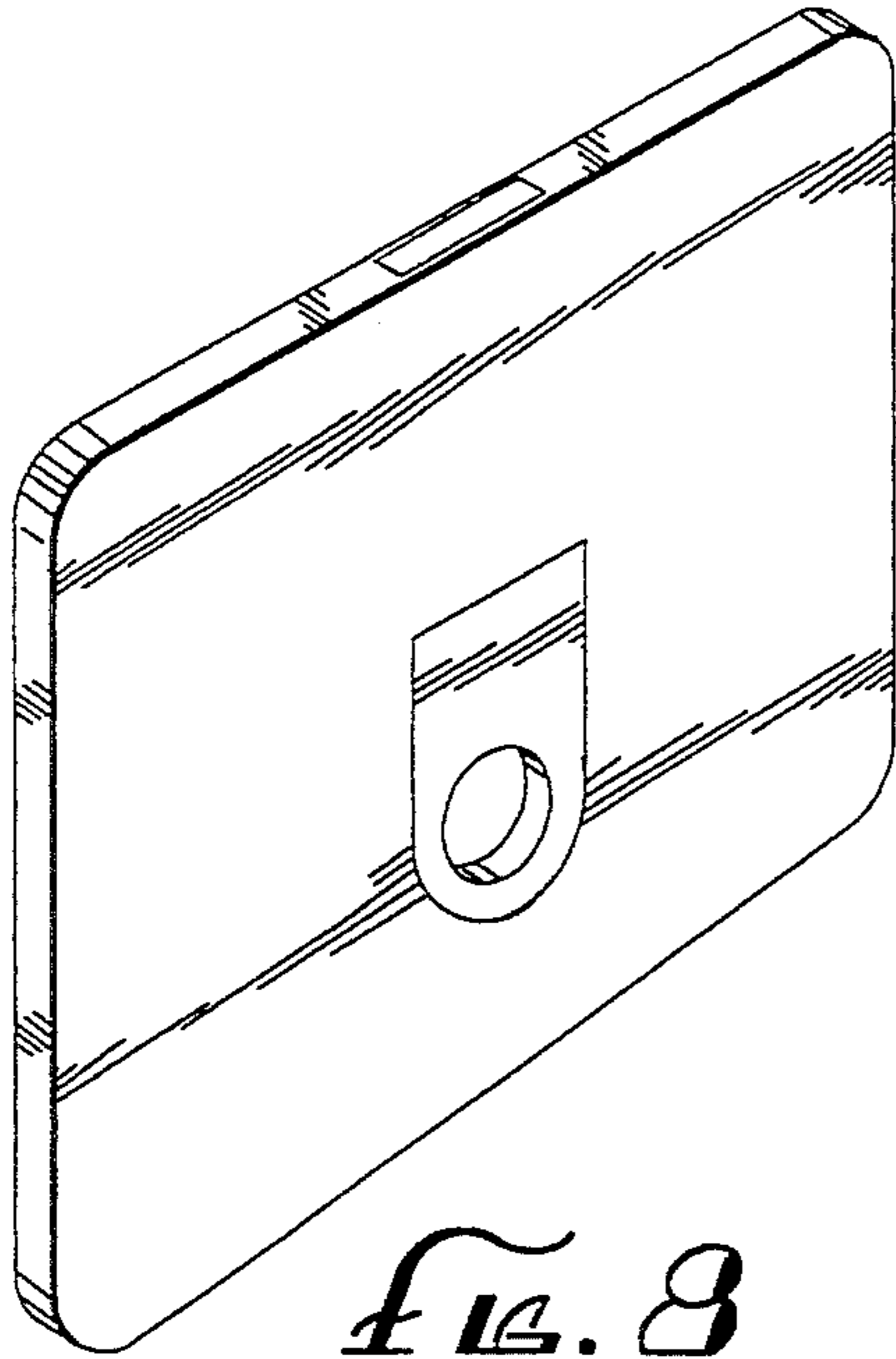


Fig. 9

Fig. 12

Fig. 10

Fig. 11

Fig. 13

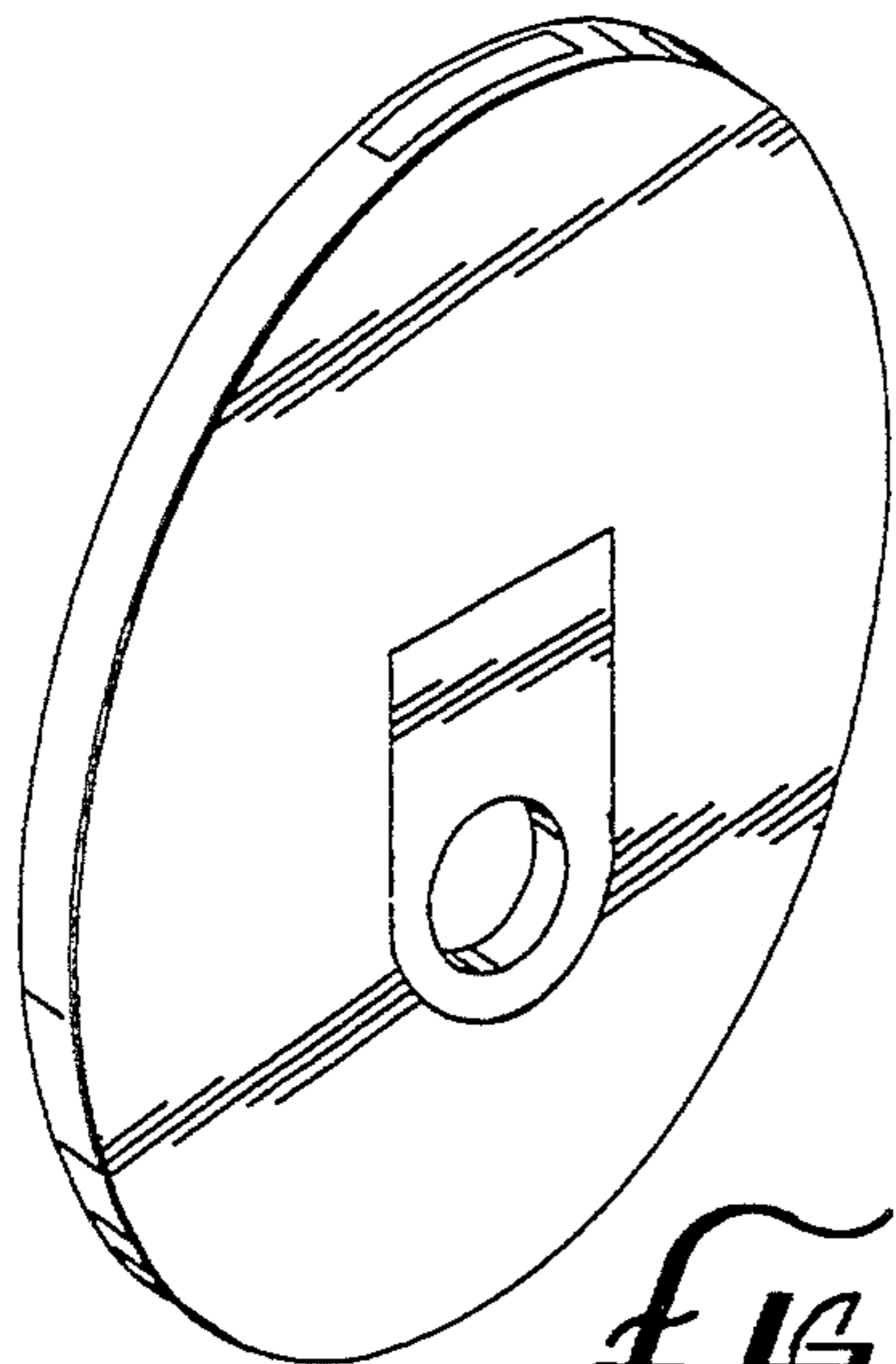


FIG. 15

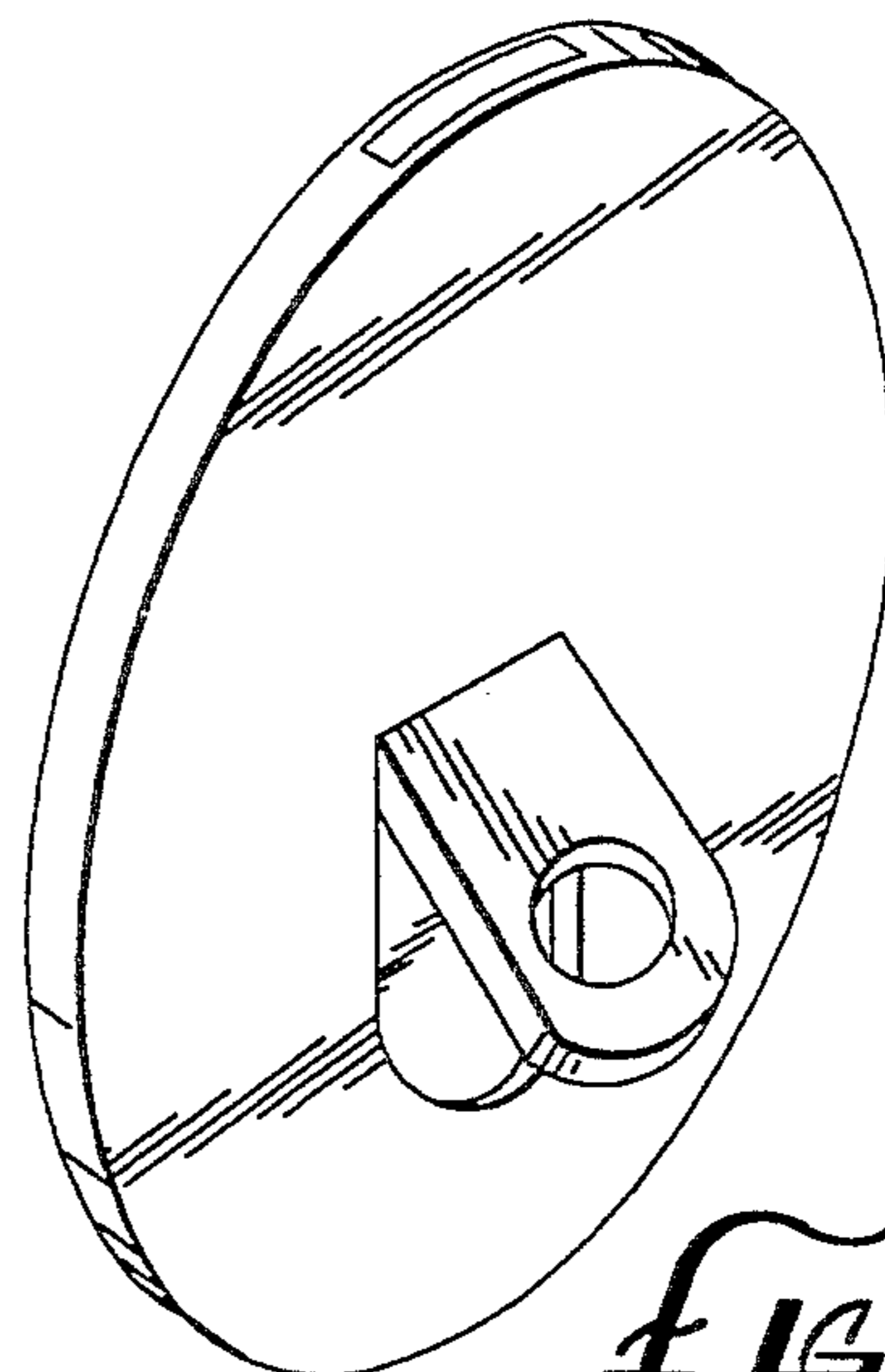


FIG. 21

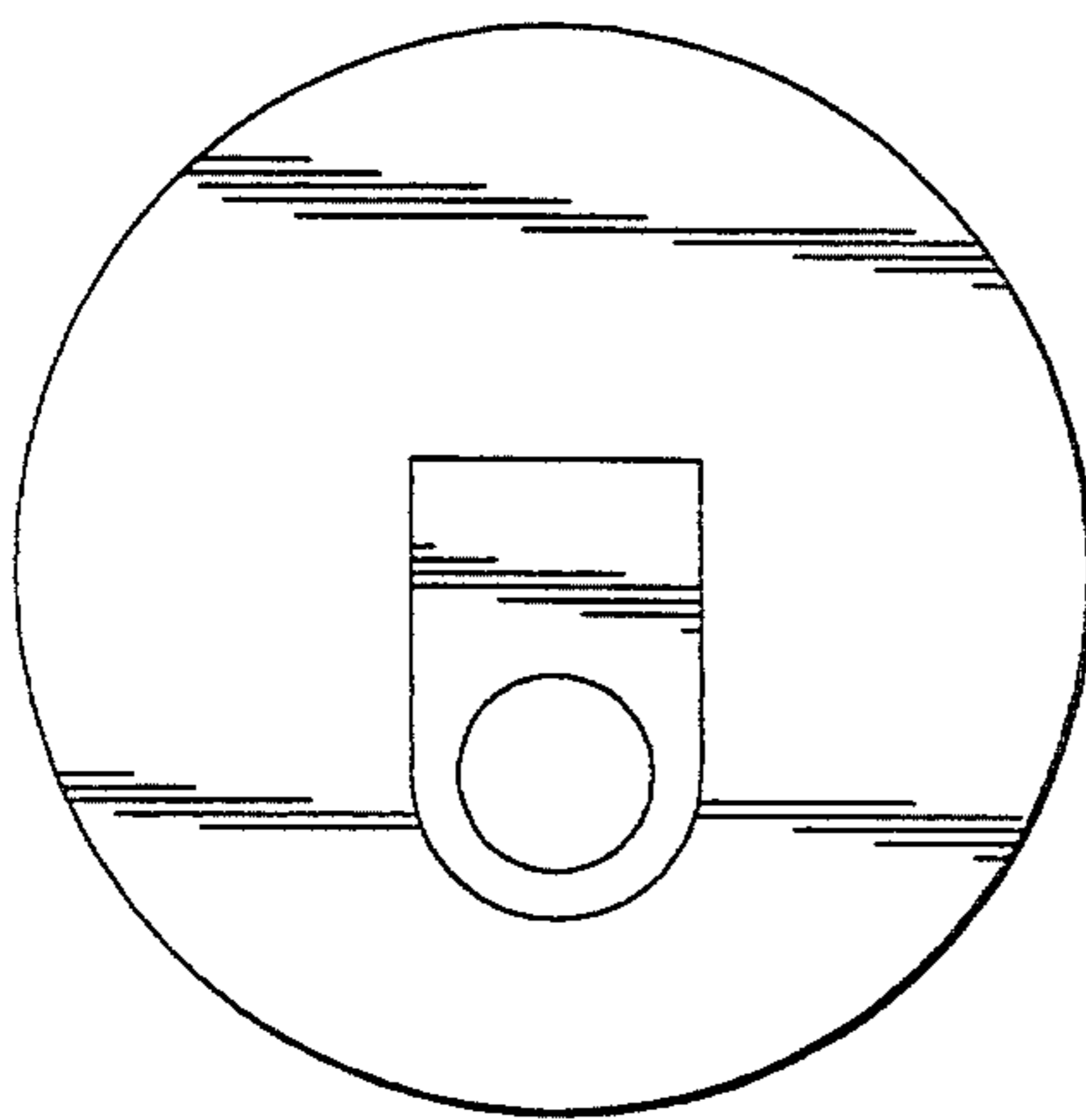


FIG. 16



FIG. 19

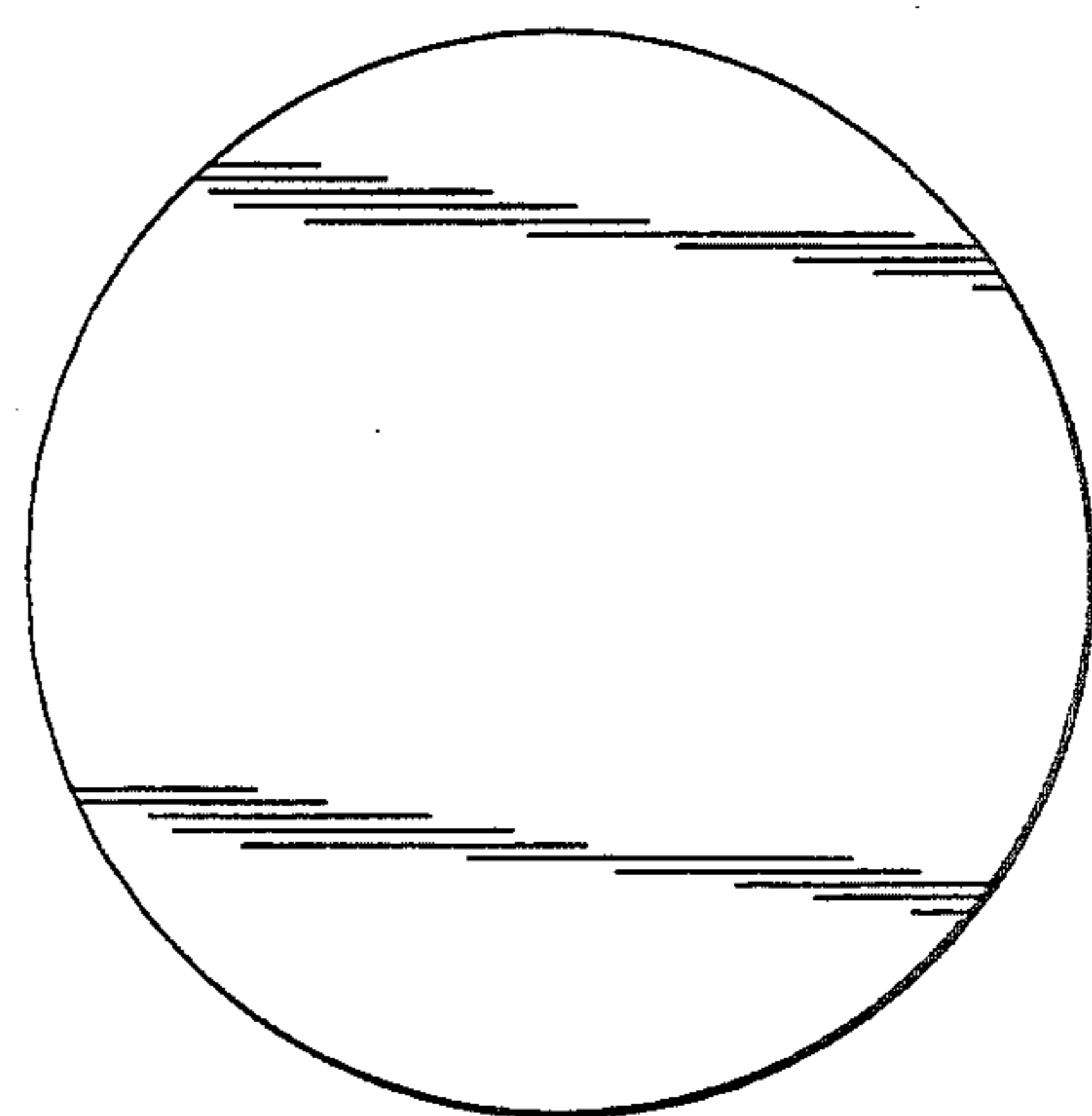


FIG. 17

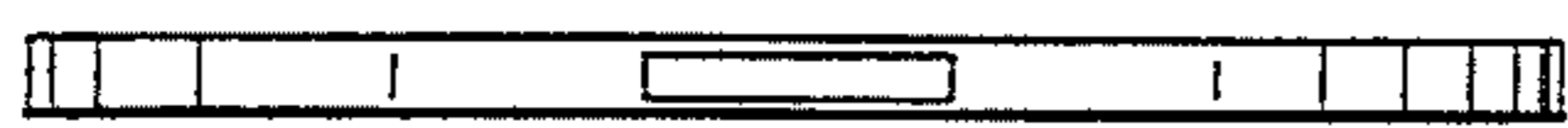


FIG. 18

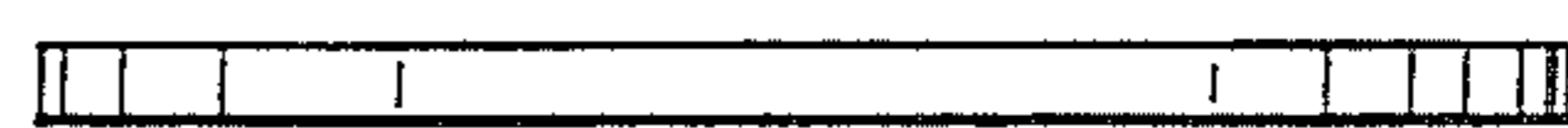


FIG. 20