



US00D361058S

United States Patent [19]

[11] Patent Number: **Des. 361,058**

Domel et al.

[45] Date of Patent: **** Aug. 8, 1995**

- [54] **REMOTE CONTROL UNIT FOR OPERATING WINDOW BLINDS**
- [75] Inventors: **Douglas R. Domel**, Chatsworth, Calif.; **James C. Dow**, Fort Collins, Colo.
- [73] Assignee: **Harmonic Design, Inc.**, Chatsworth, Calif.
- [**] Term: **14 Years**
- [21] Appl. No.: **22,002**
- [22] Filed: **Apr. 28, 1994**
- [52] U.S. Cl. **D13/168**
- [58] Field of Search **D13/168, 171; D10/106; D14/218; 200/5 A, 5 R; 340/825.69, 825.72**

- D. 317,593 6/1991 Rowen D13/168
- D. 338,881 8/1993 Soma D14/114
- D. 339,137 9/1993 Takeda D14/218
- D. 346,152 4/1994 Zaugg D13/168
- D. 355,895 2/1995 Soren et al. D14/218 X

Primary Examiner—Joel Sincavage
Attorney, Agent, or Firm—John L. Rogitz

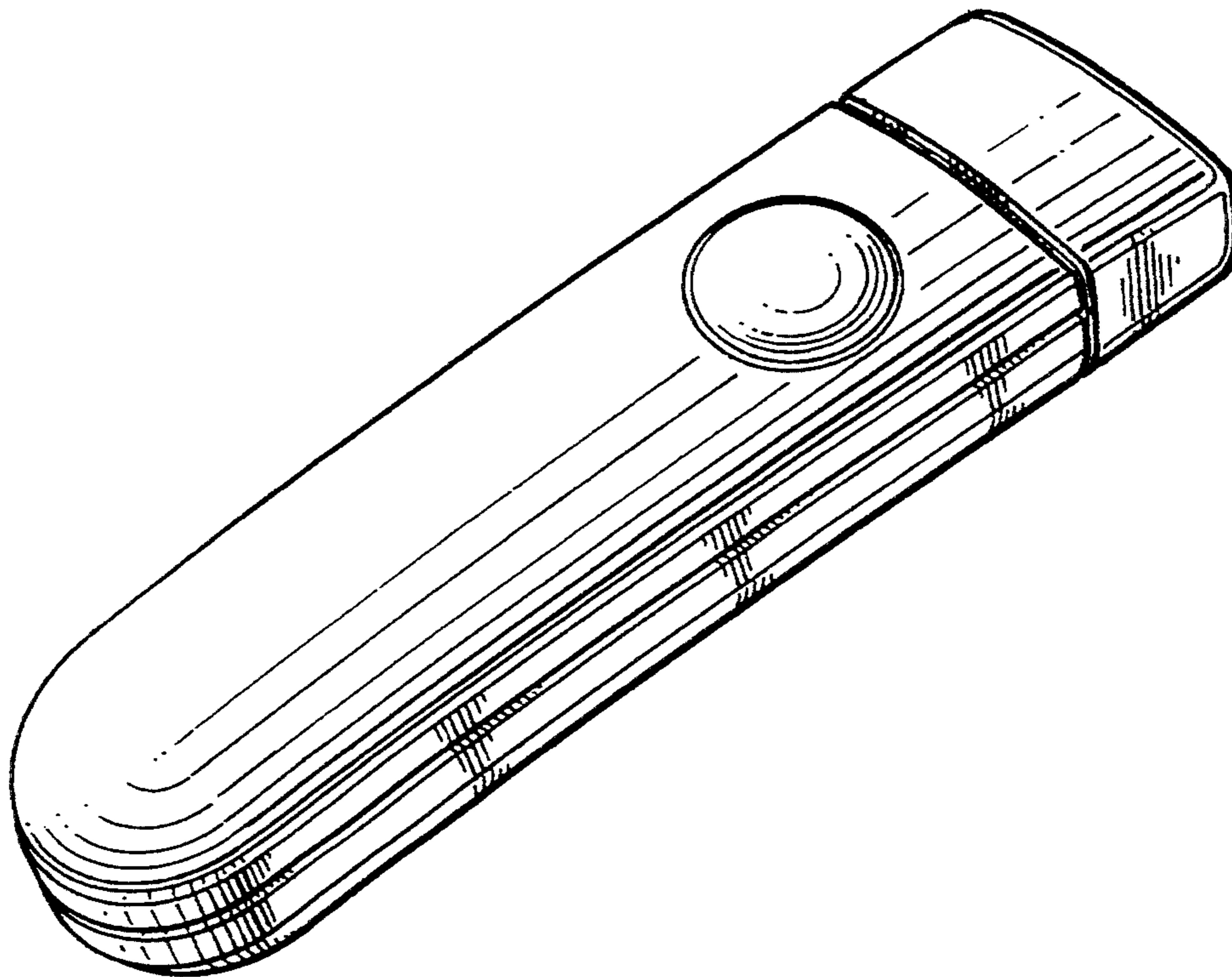
[57] CLAIM

The ornamental design for a remote control unit for operating window blinds, as shown and described.

DESCRIPTION

FIG. 1 is a perspective view of the remote control unit for operating window blinds of the present invention; FIG. 2 is a right side view thereof; FIG. 3 is a top view thereof; FIG. 4 is a rear view thereof; FIG. 5 is a left side view thereof; FIG. 6 is a bottom view thereof; and, FIG. 7 is a front view thereof.

- [56] **References Cited**
- U.S. PATENT DOCUMENTS**
- D. 291,888 9/1987 Fong et al. D13/168 X
- D. 305,019 12/1989 Pena et al. D13/171



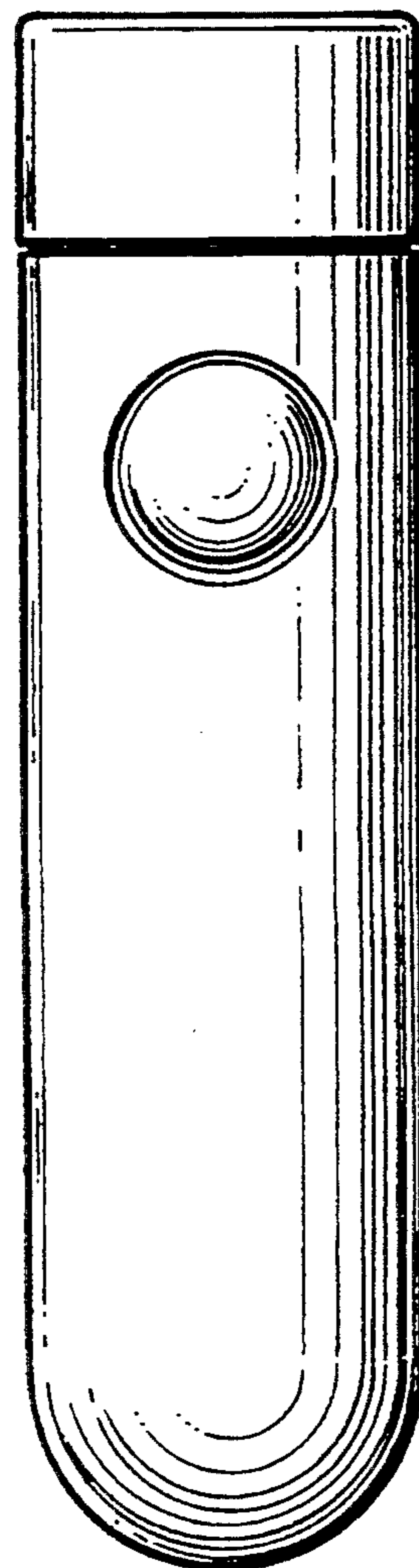
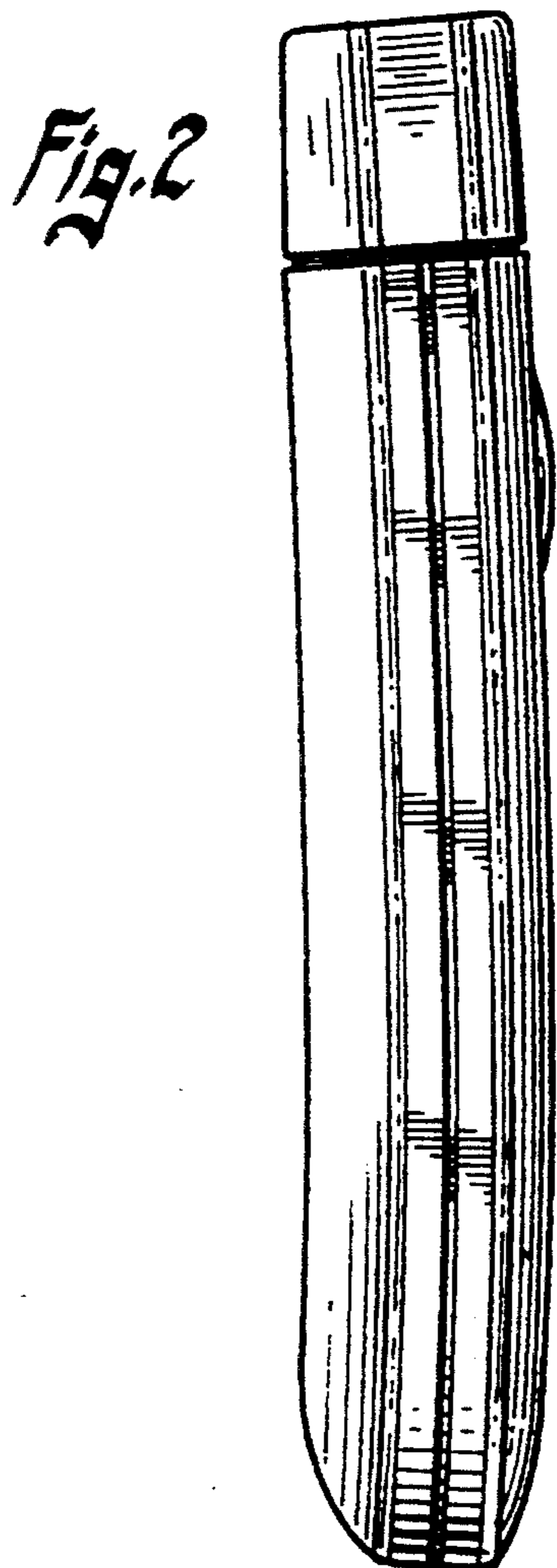
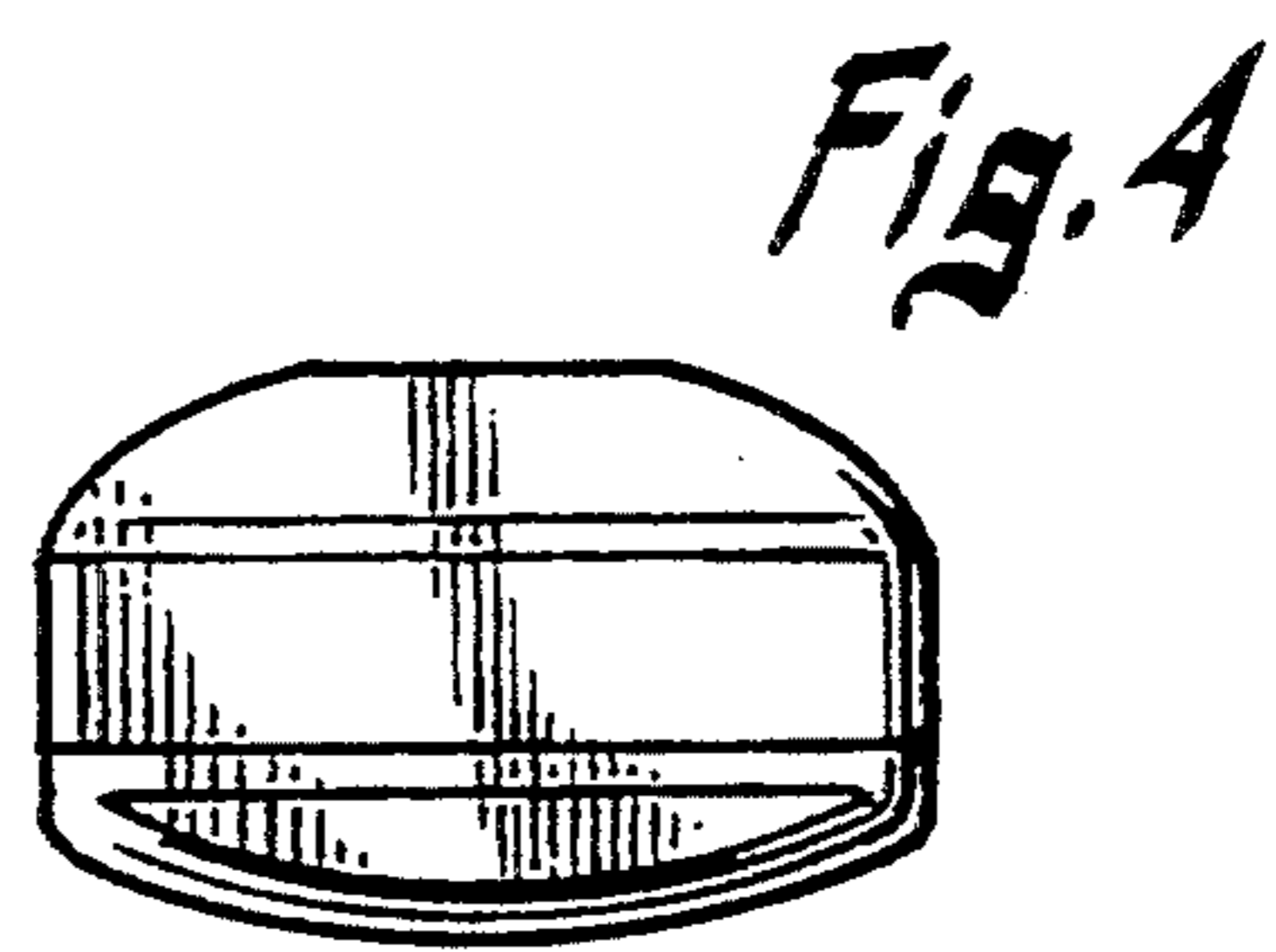
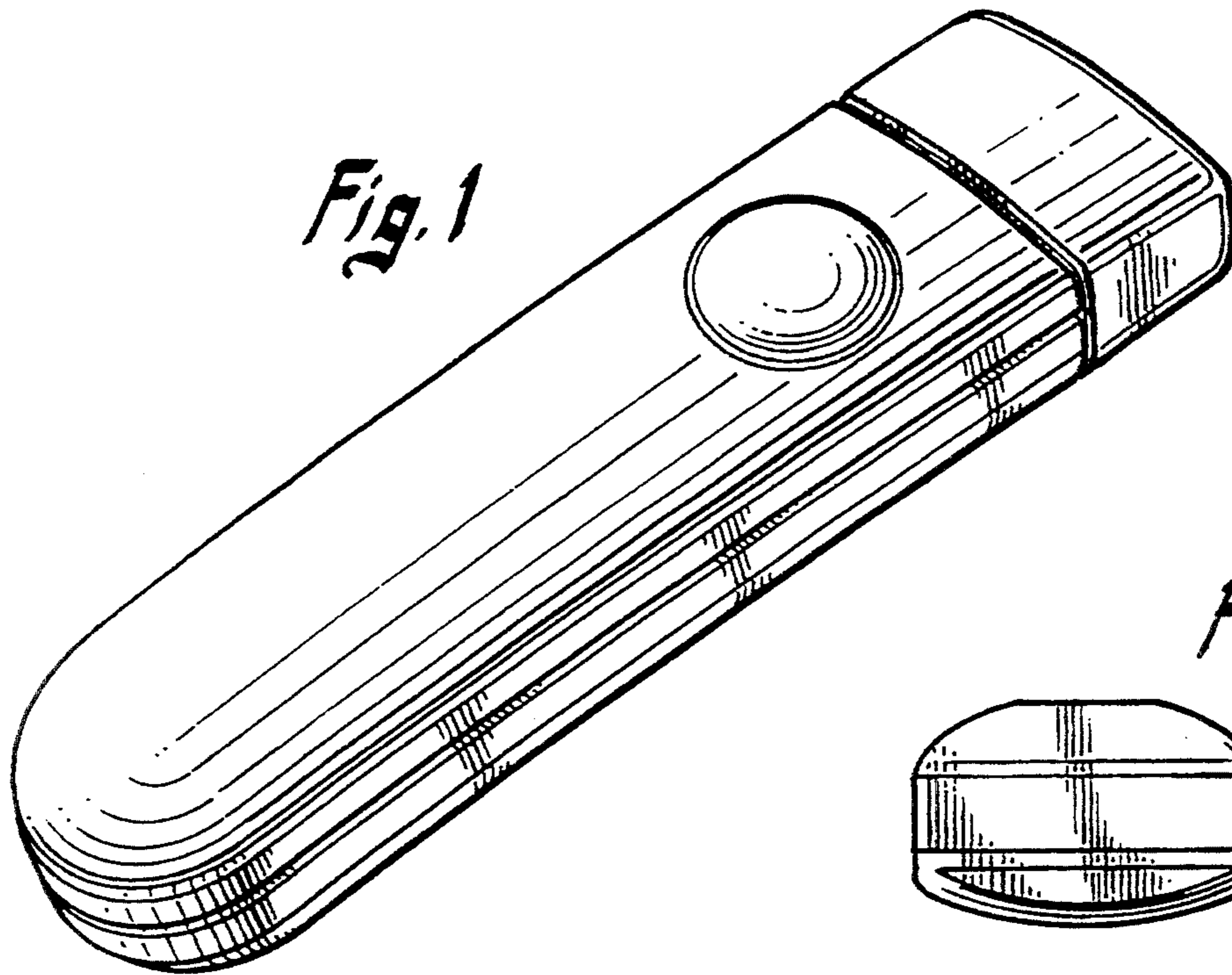


Fig. 5

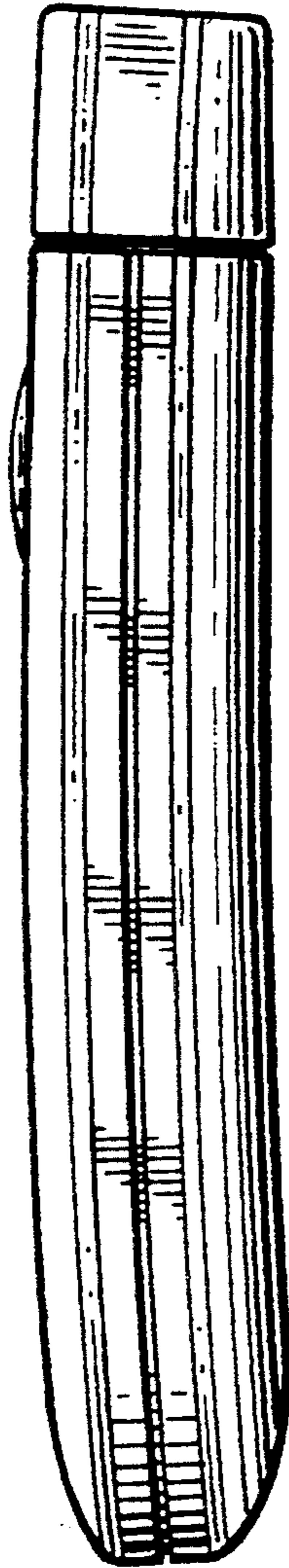


Fig. 6

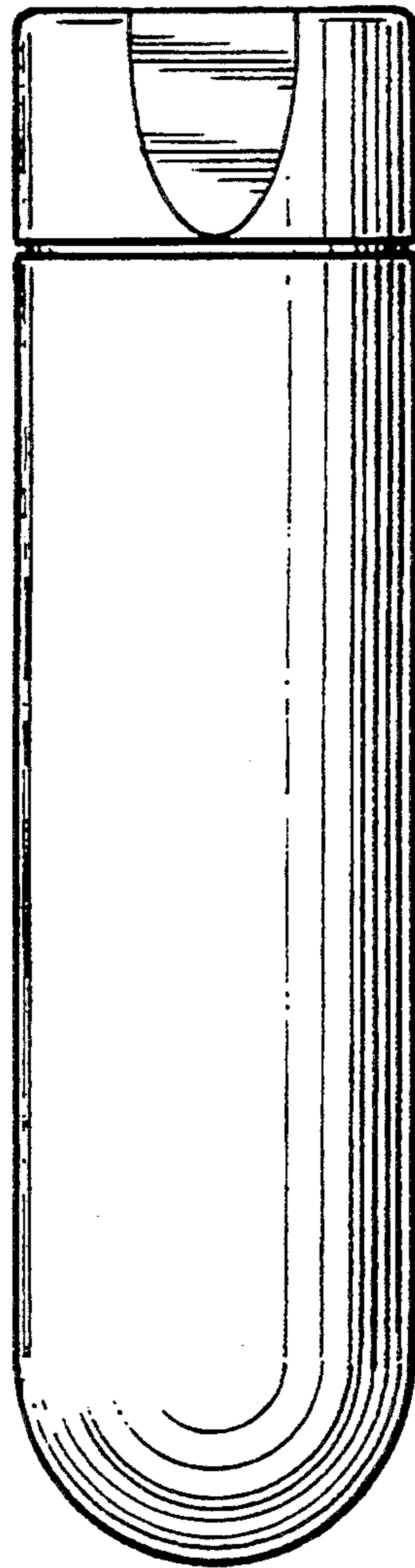


Fig. 7

