



US00D361057S

United States Patent [19]
Fayfield

[11] **Patent Number: Des. 361,057**

[45] **Date of Patent: ** Aug. 8, 1995**

[54] **HOUSING FOR PHOTOELECTRIC CONTROL**

[76] **Inventor: Robert W. Fayfield, 6005 Christmas Lake Rd., Shorewood, Minn. 55331**

[**] **Term: 14 Years**

[21] **Appl. No.: 13,962**

[22] **Filed: Oct. 7, 1993**

[52] **U.S. Cl. D13/165**

[58] **Field of Search D13/165; 250/221, 222.1, 250/239**

[56] **References Cited**

U.S. PATENT DOCUMENTS

4,306,147	12/1981	Fukuyama et al.	250/221
4,722,607	2/1988	Anselmant et al.	250/221 X
4,880,974	11/1989	Yamakawa	250/239 X
5,115,129	5/1992	Johnson	250/239
5,270,540	12/1993	Skop, Jr. et al.	250/239

Primary Examiner—Joel Sincavage
Attorney, Agent, or Firm—Merchant, Gould, Smith, Edell, Welter & Schmidt

[57] **CLAIM**

The ornamental design for a housing for photoelectric control, as shown and described.

DESCRIPTION

FIG. 1 is a front and top-right perspective view of a housing for a photoelectric control showing the new design;

FIG. 2 is a front elevational view thereof;

FIG. 3 is a rear elevational view thereof;

FIG. 4 is a top plan thereof;

FIG. 5 is a bottom plan thereof; and,

FIG. 6 is a left side elevational view thereof, the side opposite that shown being a mirror image.

The broken line showing in FIG. 1 is included for the purpose of illustrating environmental structure only and forms no part of the claimed design.

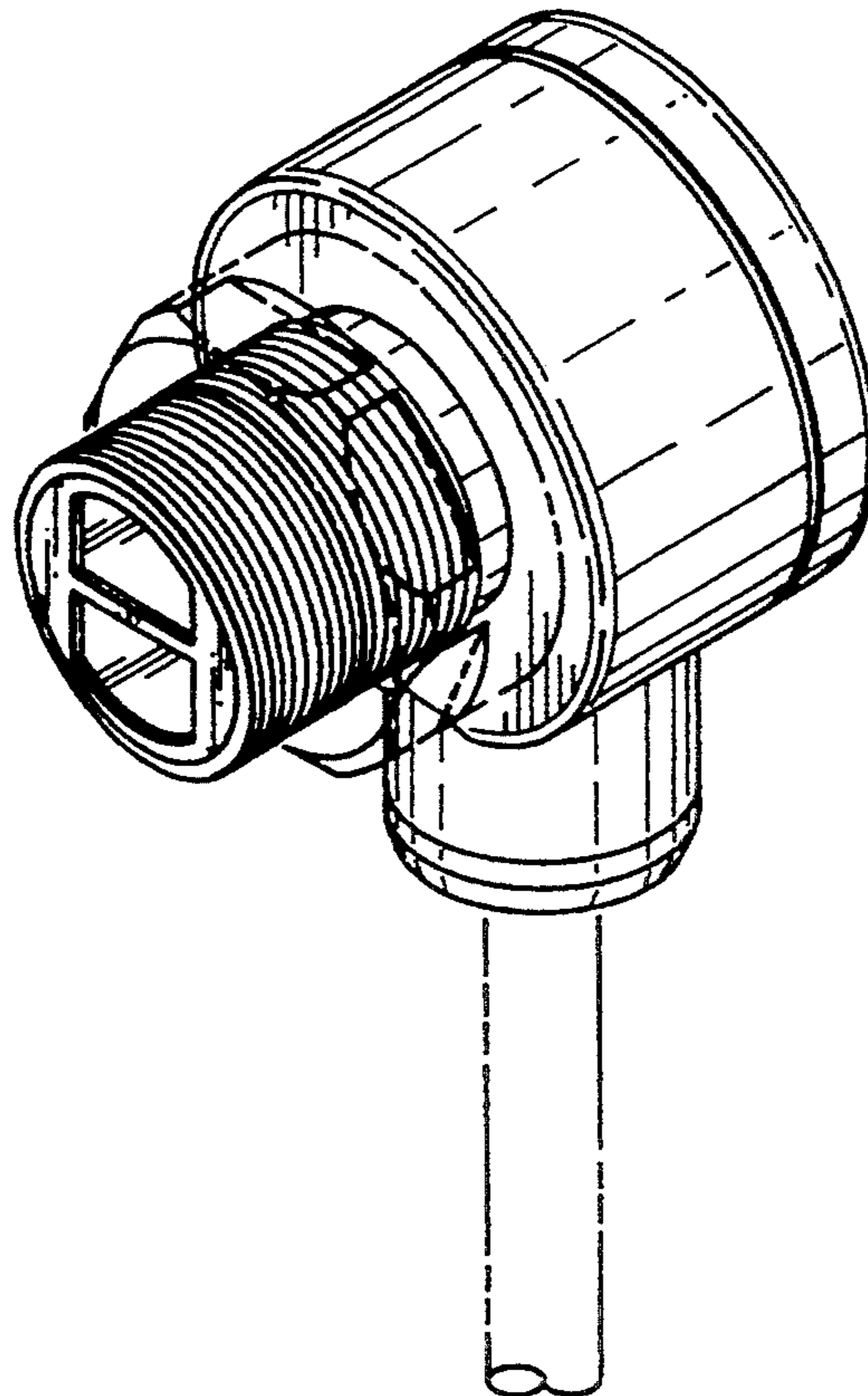


FIG. 1

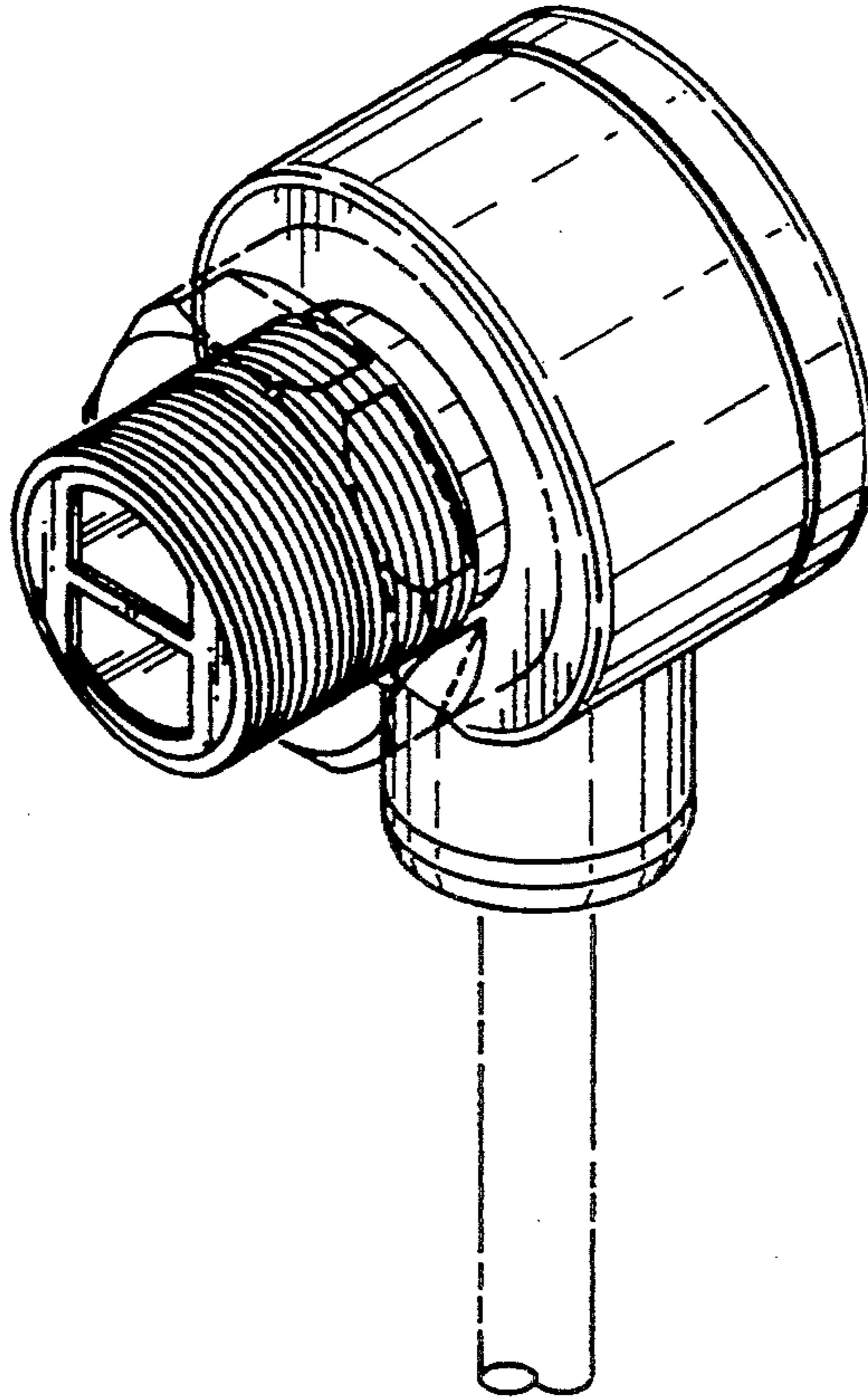


FIG. 2

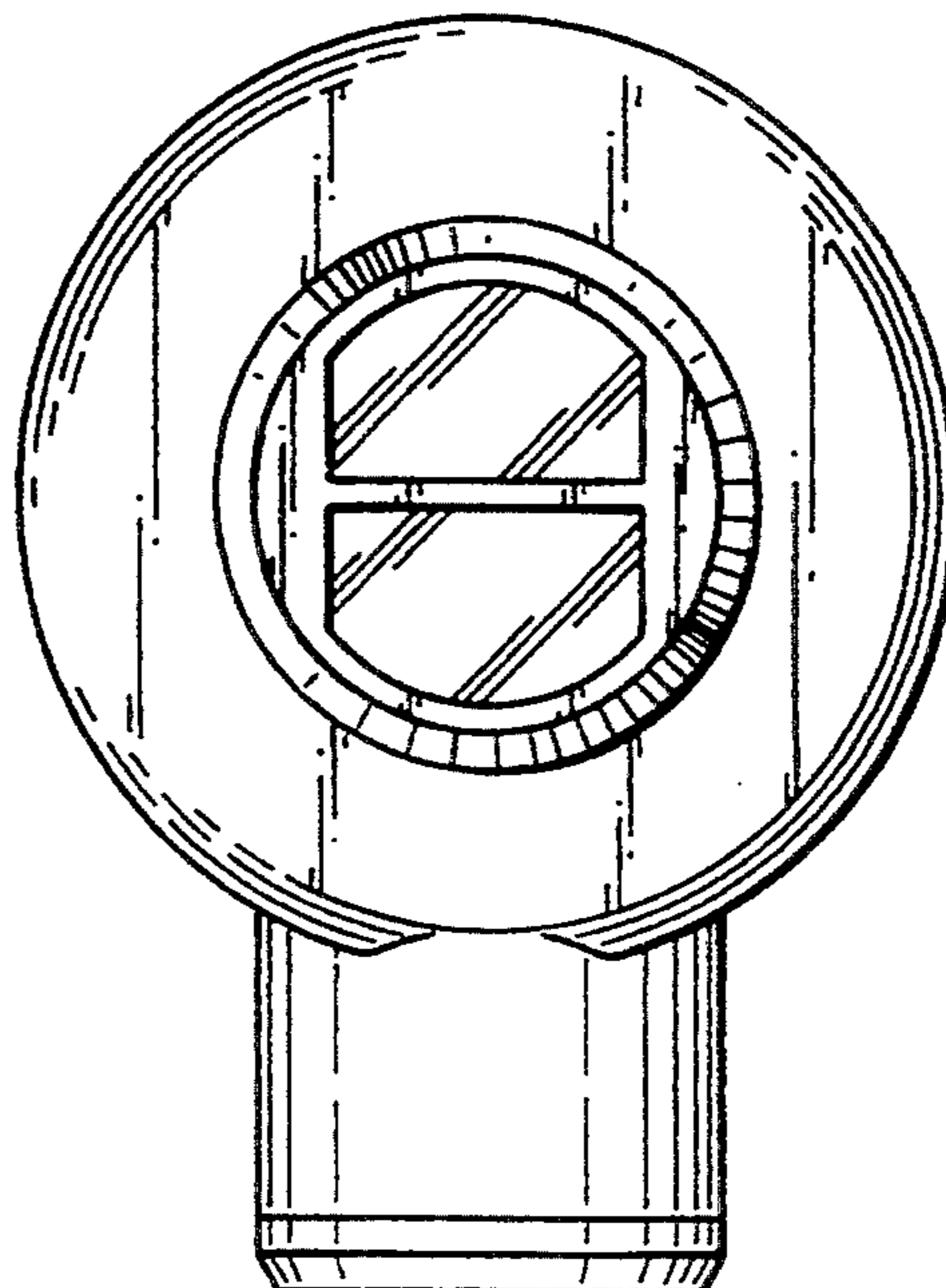


FIG. 3

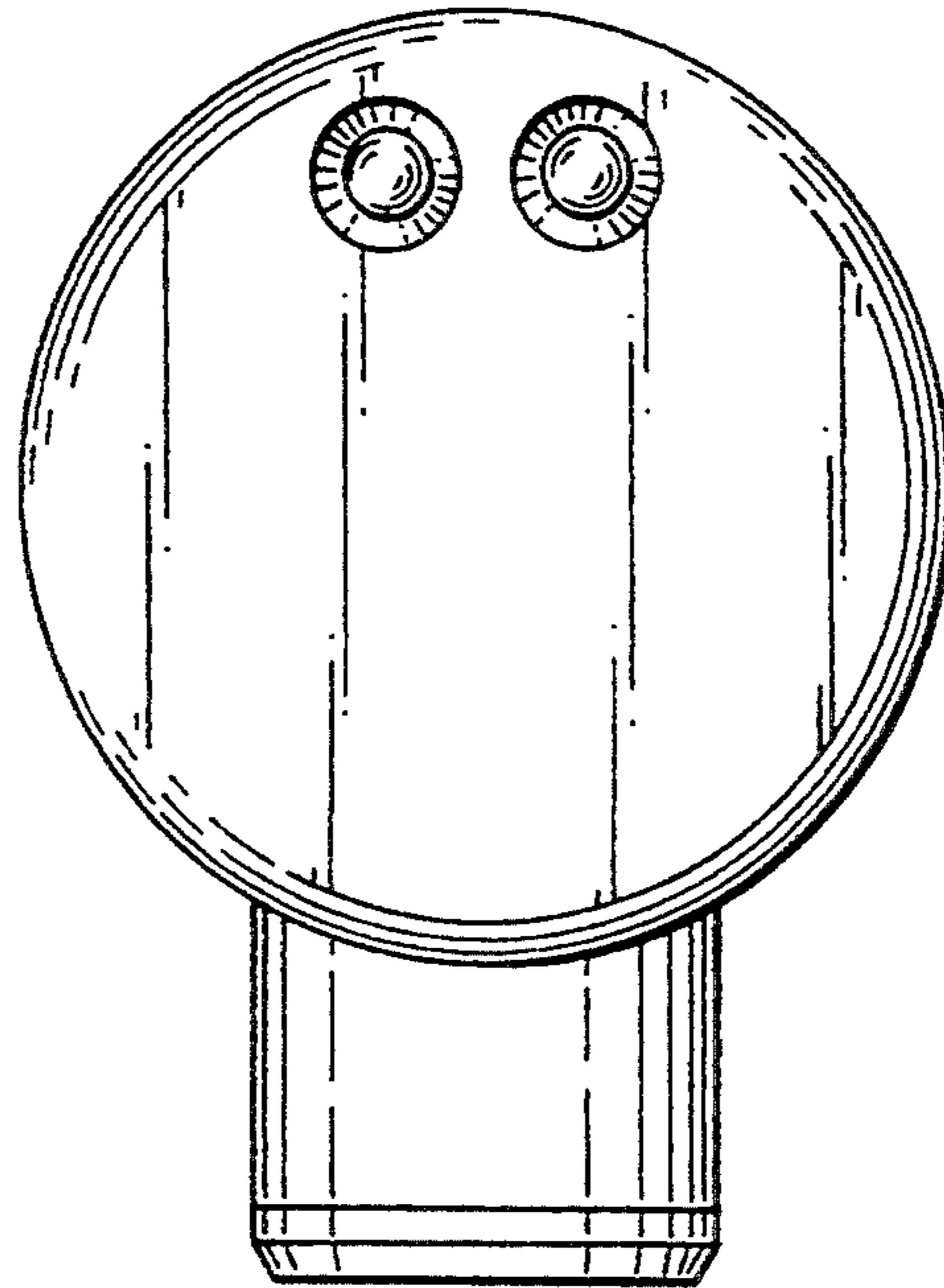


FIG. 4

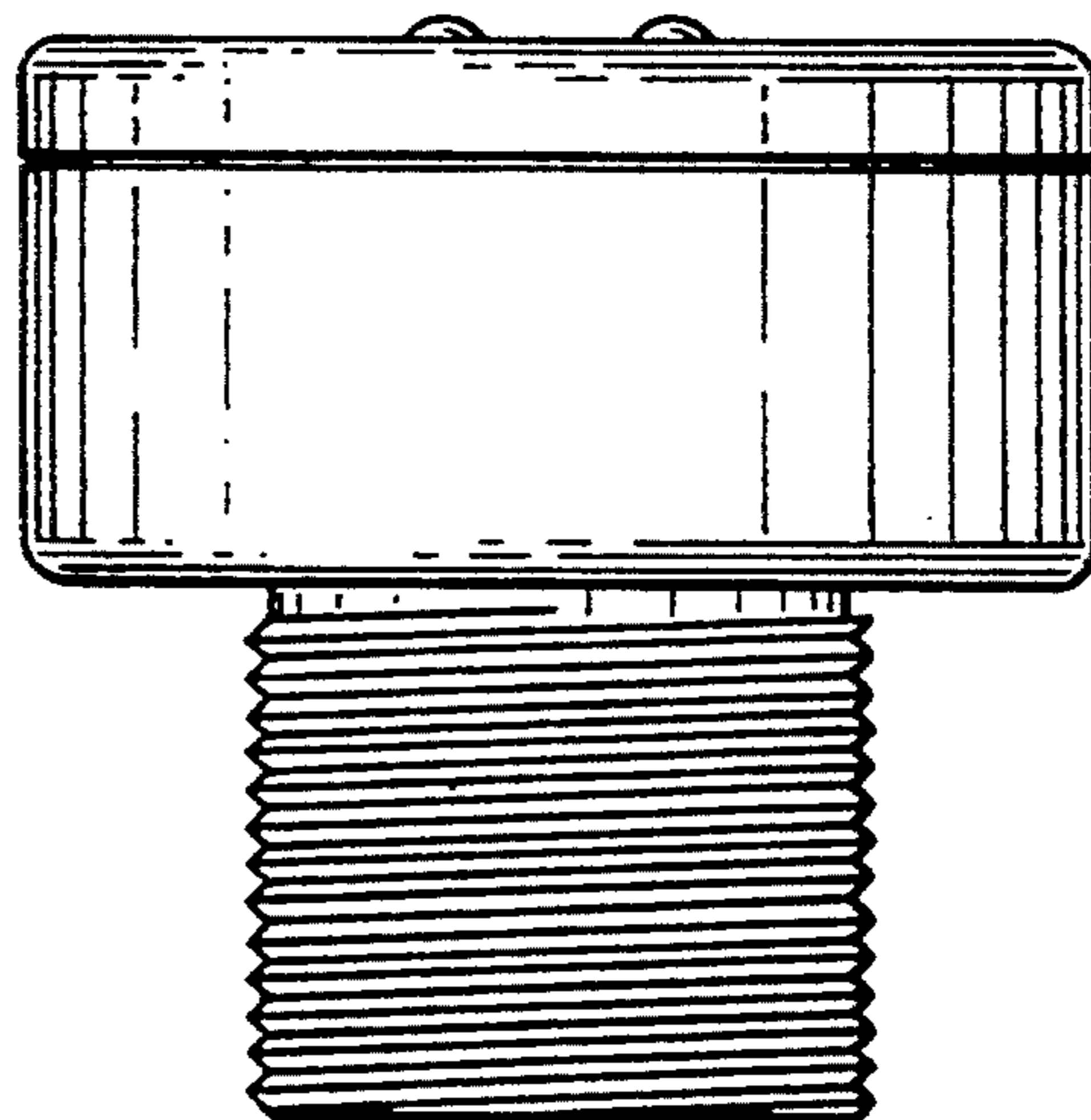


FIG. 5

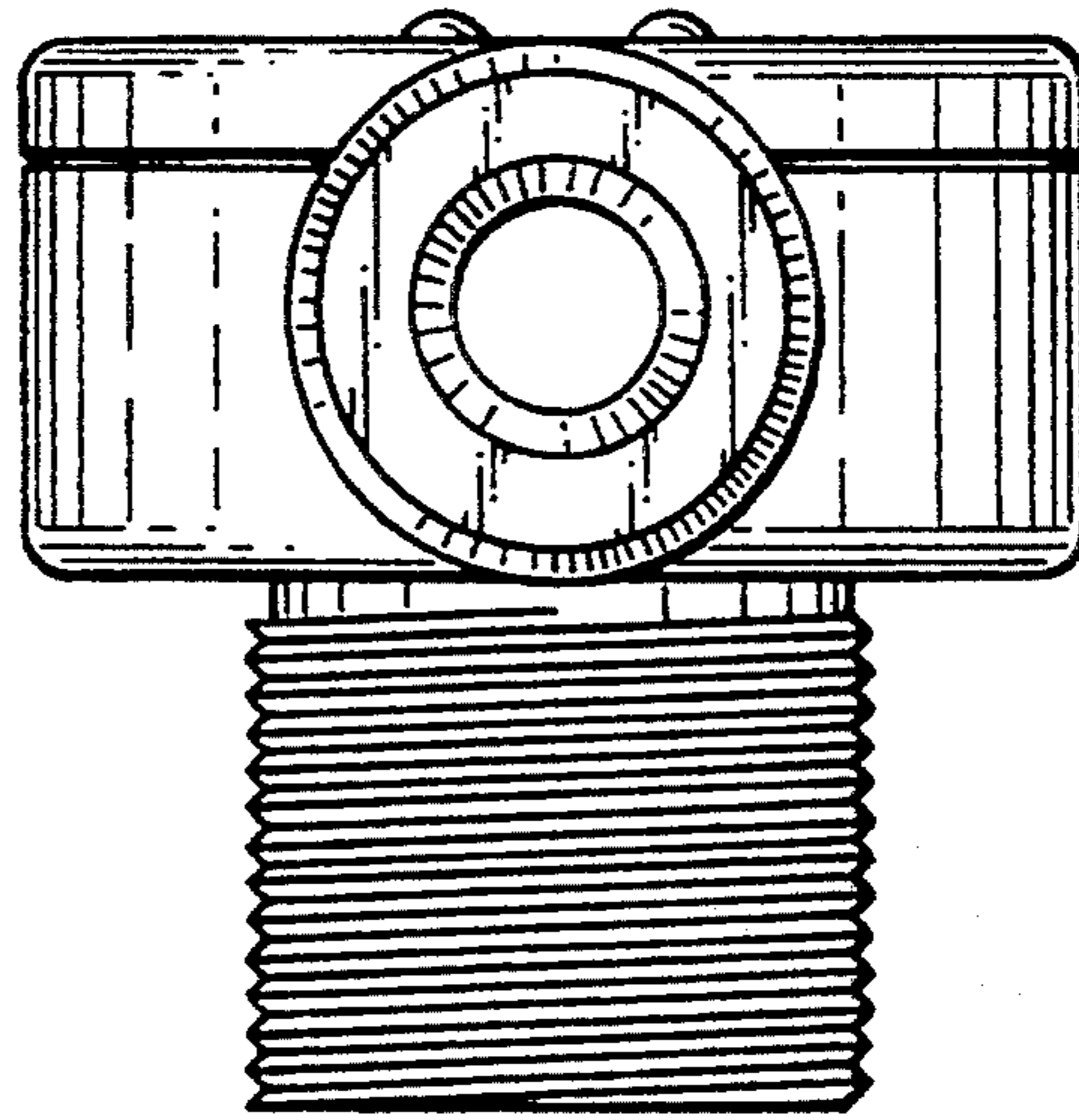


FIG. 6

