



US00D361055S

United States Patent [19]
Godina

[11] **Patent Number: Des. 361,055**
[45] **Date of Patent: ** Aug. 8, 1995**

[54] **ROTATABLE AIRPLANE PARKING ANCHOR**

5,039,034 8/1991 Burgess et al. 244/115
5,080,304 1/1992 Stump .

[76] Inventor: **Franco Godina**, 850 Ocean Dr.,
Miami, Fla. 33139

FOREIGN PATENT DOCUMENTS

454357 10/1991 European Pat. Off. 244/115

[**] Term: **14 Years**

Primary Examiner—Kay H. Chin
Attorney, Agent, or Firm—Terry M. Gernstein

[21] Appl. No.: **26,325**

[57] **CLAIM**

[22] Filed: **Jul. 25, 1994**

The ornamental design for a rotatable airplane parking anchor, as shown and described.

[52] U.S. Cl. **D12/345**

[58] Field of Search D12/345; 244/115, 114,
244/116

DESCRIPTION

[56] **References Cited**

U.S. PATENT DOCUMENTS

3,212,457	10/1965	Looker	244/115
3,497,167	2/1970	Adams et al.	244/115
3,972,493	8/1976	Milne	244/115
4,360,175	11/1982	Mellblom et al.	244/115
4,878,634	11/1989	Pacault	.	
4,895,319	1/1990	Bardsen	.	

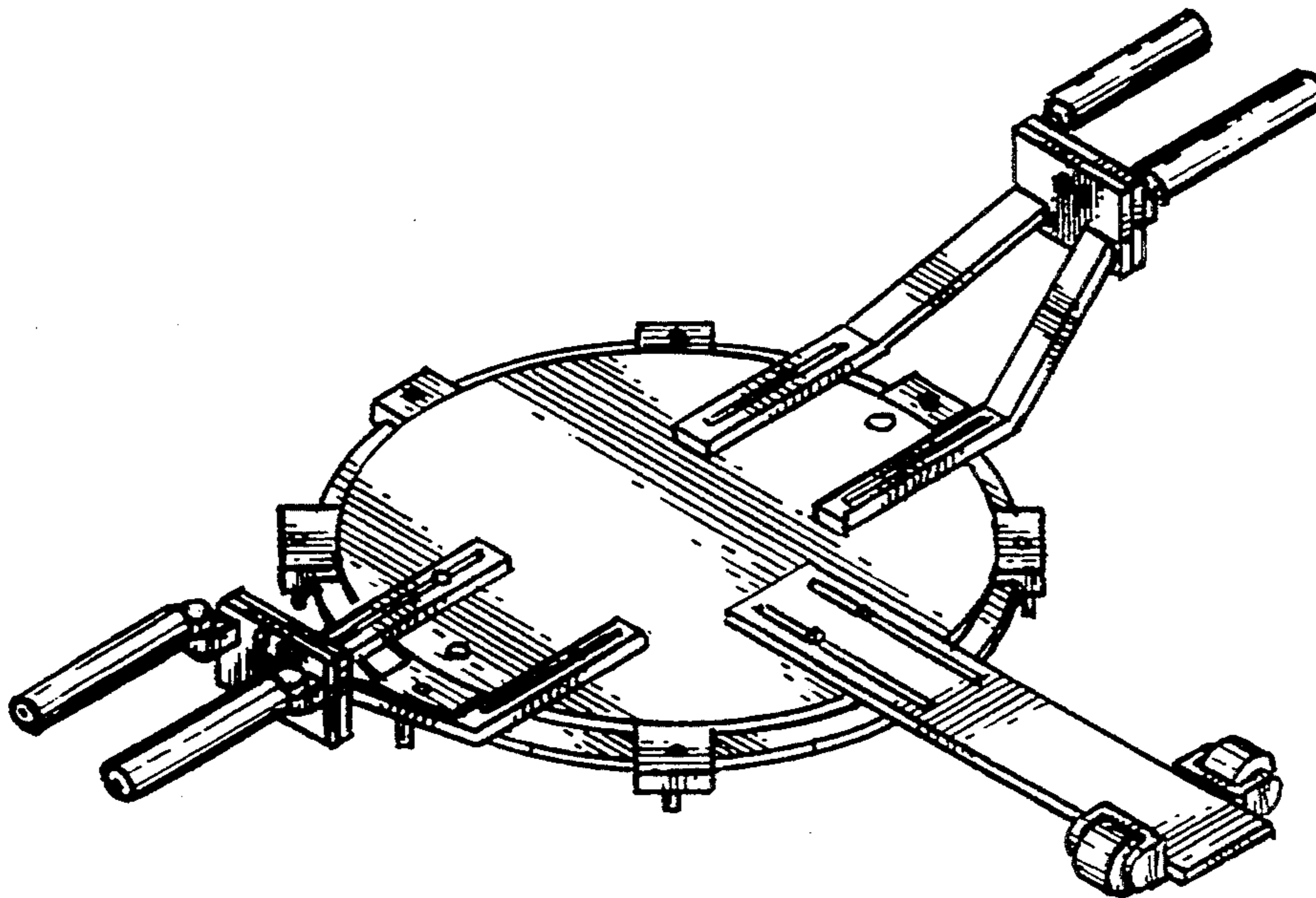
FIG. 1 is a front, top and side perspective view of the rotatable airplane parking anchor showing my new design;

FIG. 2 is a front elevational view thereof, the rear being a mirror image of the front shown in FIG. 2;

FIG. 3 is a side elevational view thereof, the side opposite being a mirror image of the side shown in FIG. 3;

FIG. 4 is a top plan view thereof; and,

FIG. 5 is a bottom plan view thereof.



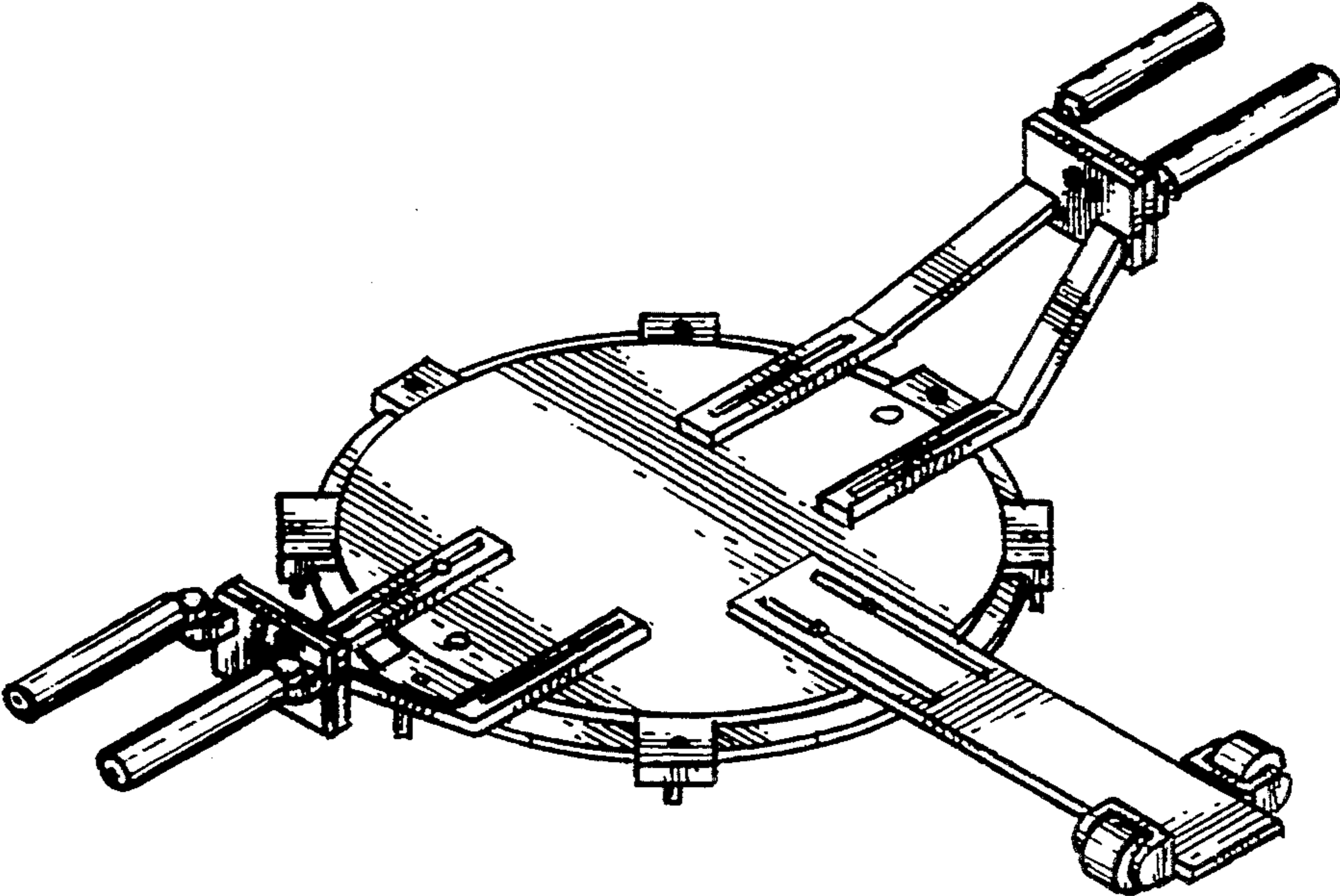


FIG. 1

FIG. 2

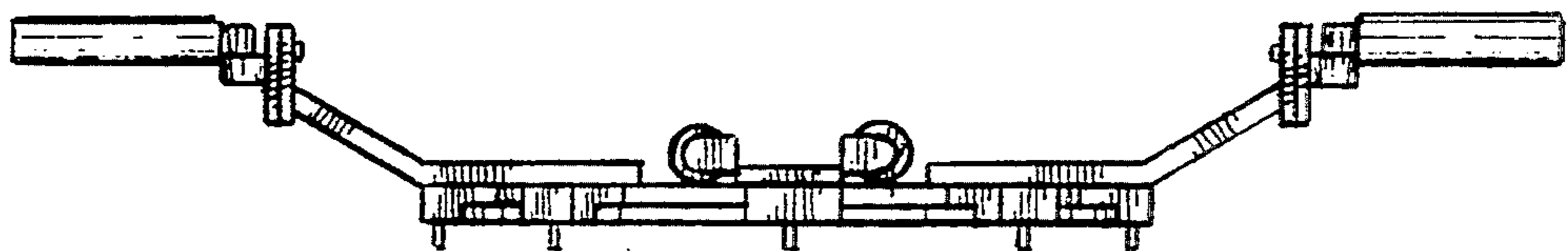
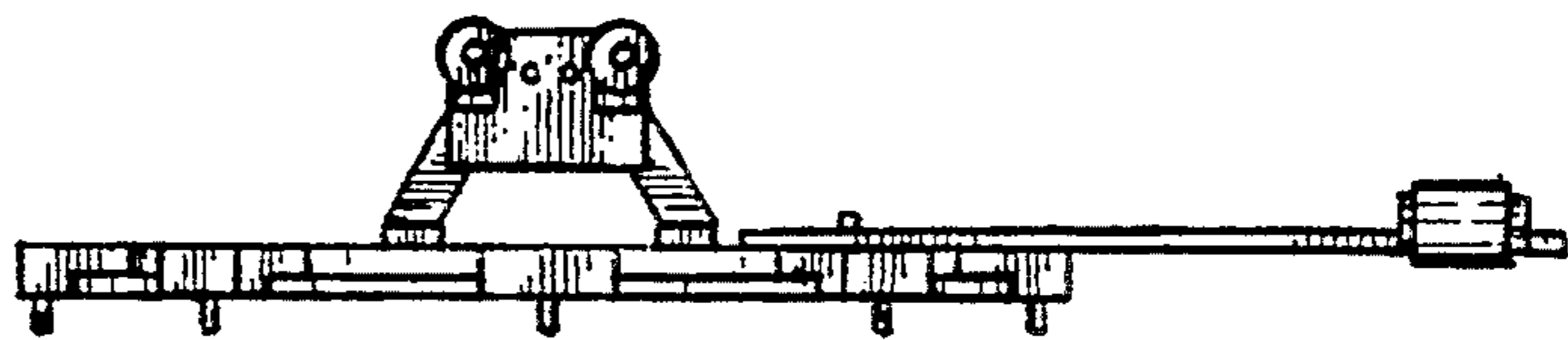


FIG. 3

FIG. 4

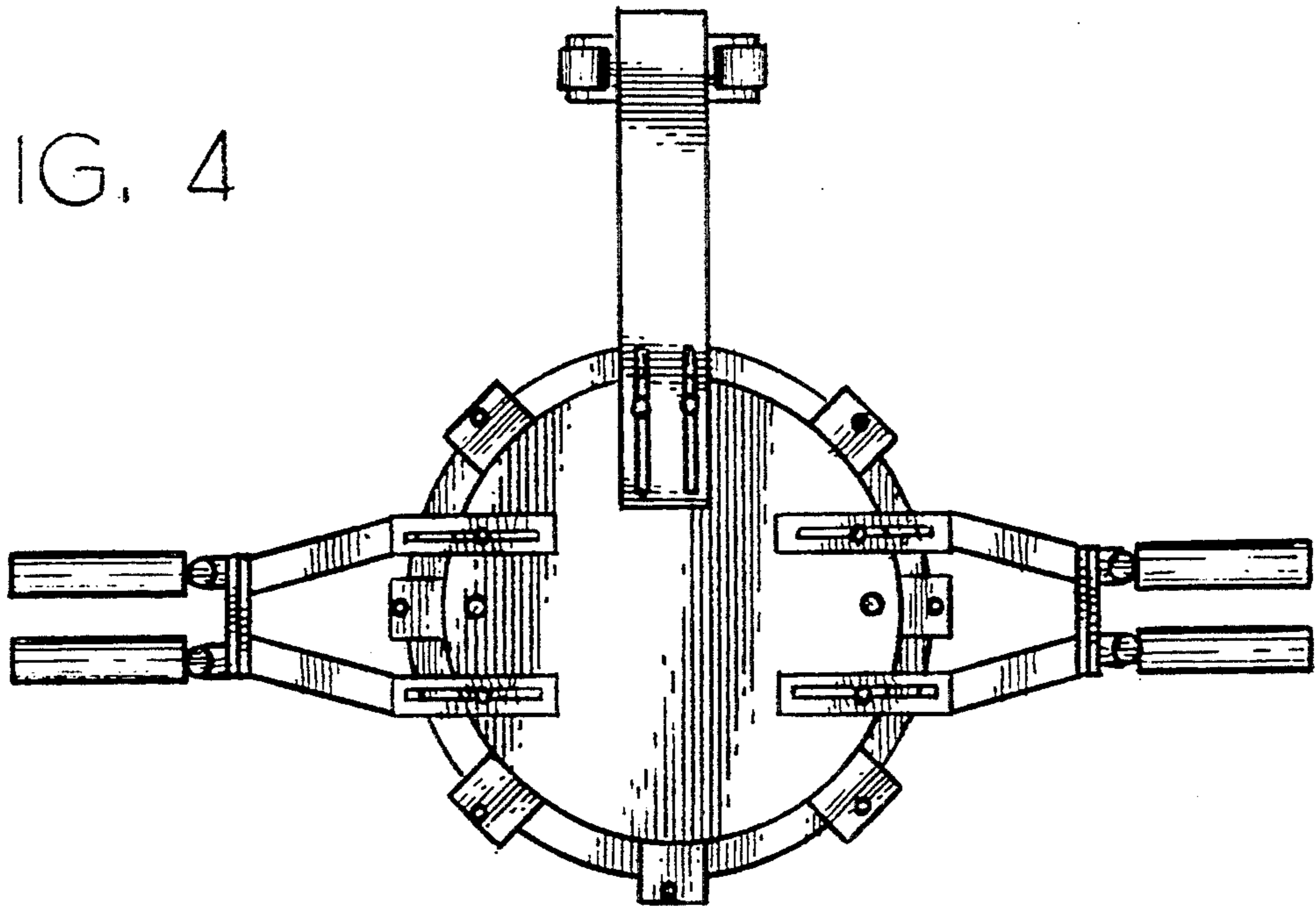


FIG. 5

