



US00D361050S

# United States Patent [19]

[11] Patent Number: **Des. 361,050**

Macmillan

[45] Date of Patent: **\*\* Aug. 8, 1995**

[54] WALKER

[75] Inventor: **Douglas D. Macmillan**, Nepean, Canada

[73] Assignee: **Dana Douglas Medical, Inc.**, Nepean, Canada

[\*\*] Term: **14 Years**

[21] Appl. No.: **25,584**

[22] Filed: **Jul. 6, 1994**

[30] **Foreign Application Priority Data**

May 12, 1994 [CA] Canada ..... 75684-1  
 [52] U.S. Cl. .... **D12/130; D12/128**  
 [58] Field of Search ..... **D12/128, 130; 135/65, 135/74, 85, 67; 280/87.05; 297/5, 6**

[56] **References Cited**

**U.S. PATENT DOCUMENTS**

D. 281,771	12/1985	Webb	.....	D12/130
D. 310,646	9/1990	Rose	.....	D12/130
D. 312,061	11/1990	Smith	.....	D12/130
4,962,781	10/1990	Kanbar	.....	135/74

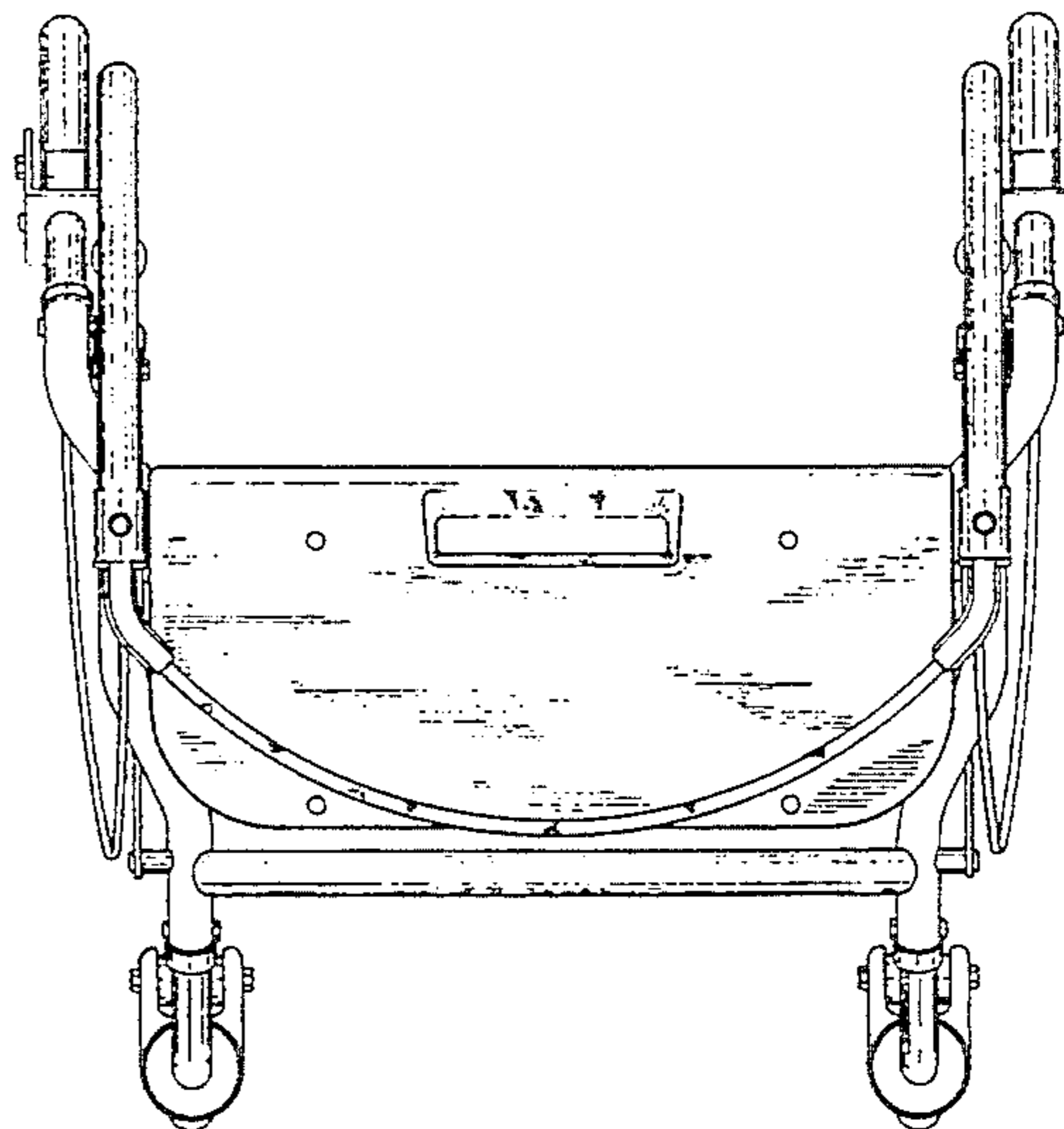
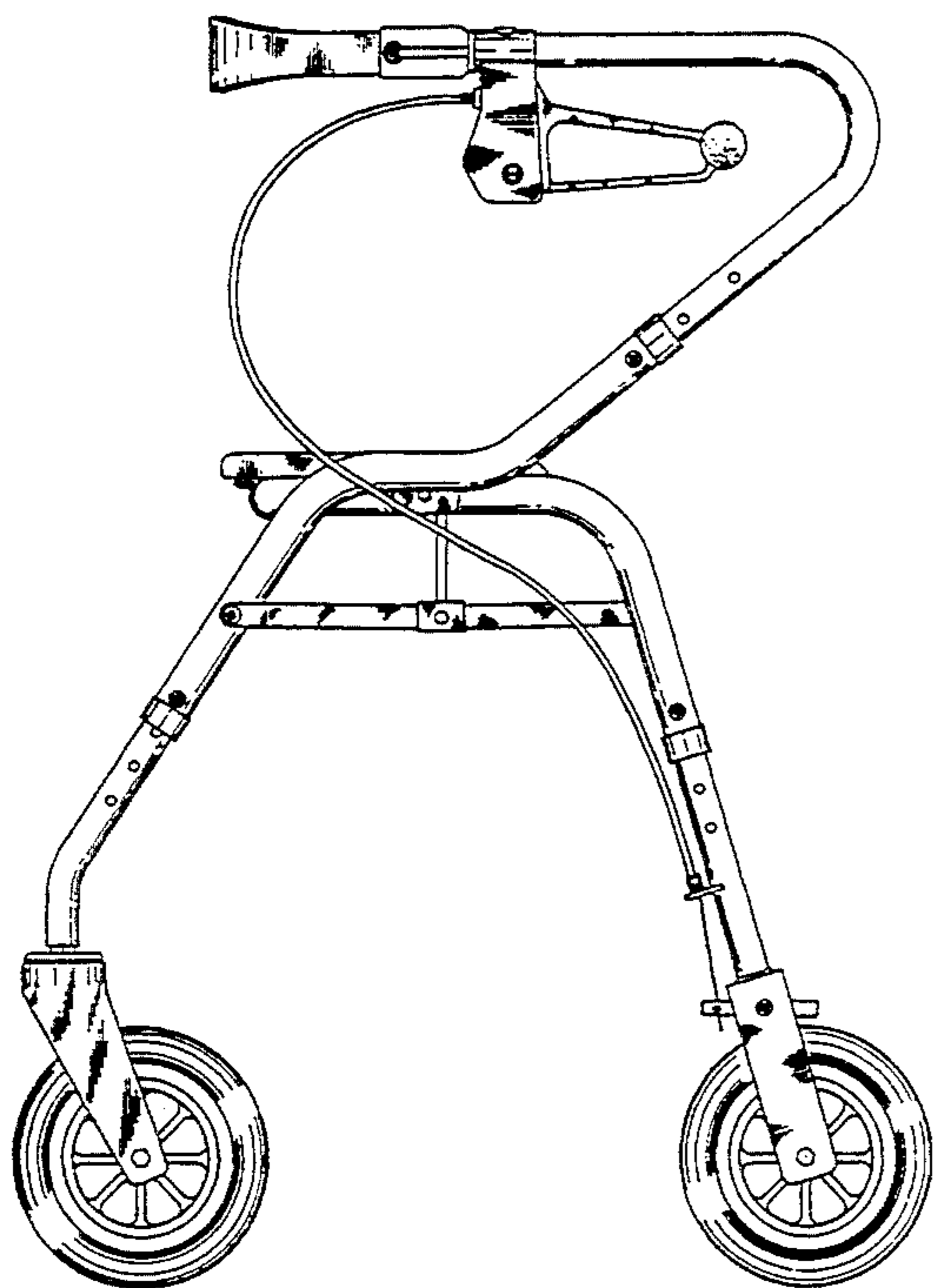
*Primary Examiner*—Kay H. Chin

[57] **CLAIM**

The ornamental design for a walker, as shown and described.

**DESCRIPTION**

FIG. 1 is a front view of the walker;  
 FIG. 2 is a side view of the walker;  
 FIG. 3 is a back view of the walker;  
 FIG. 4 is a top view of the walker; and,  
 FIG. 5 is a folding view of the walker.



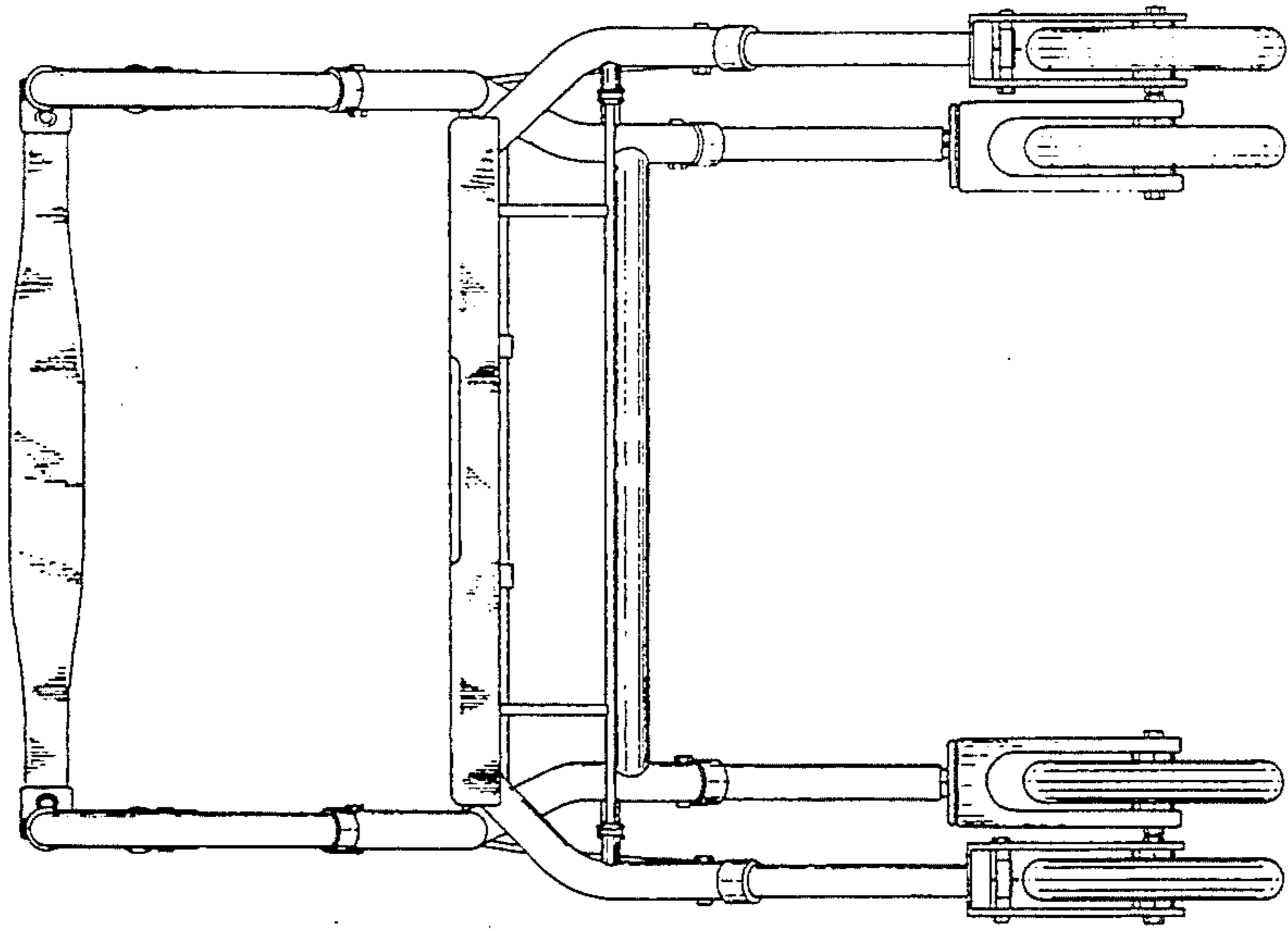


FIG. 1

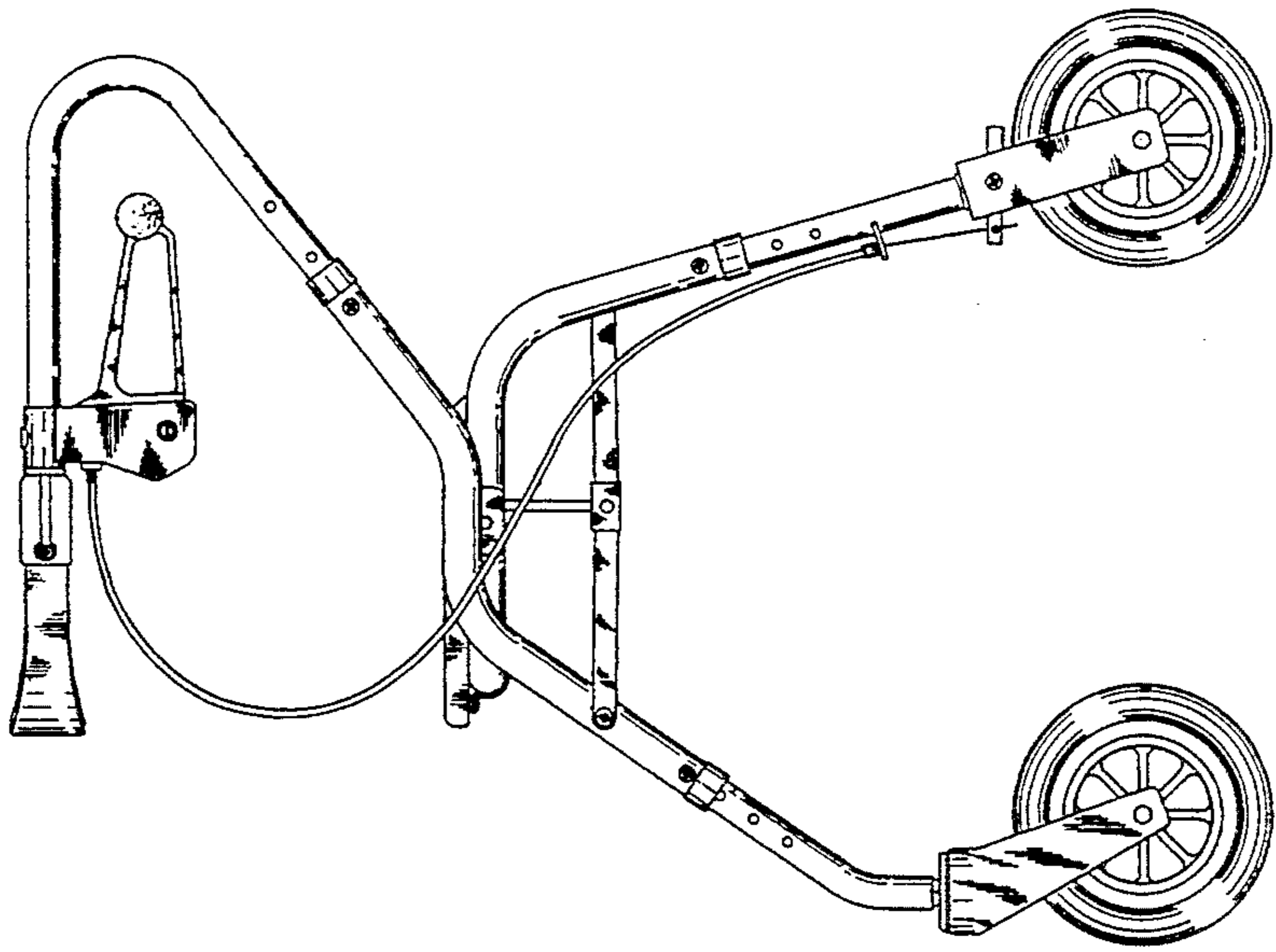


FIG. 2

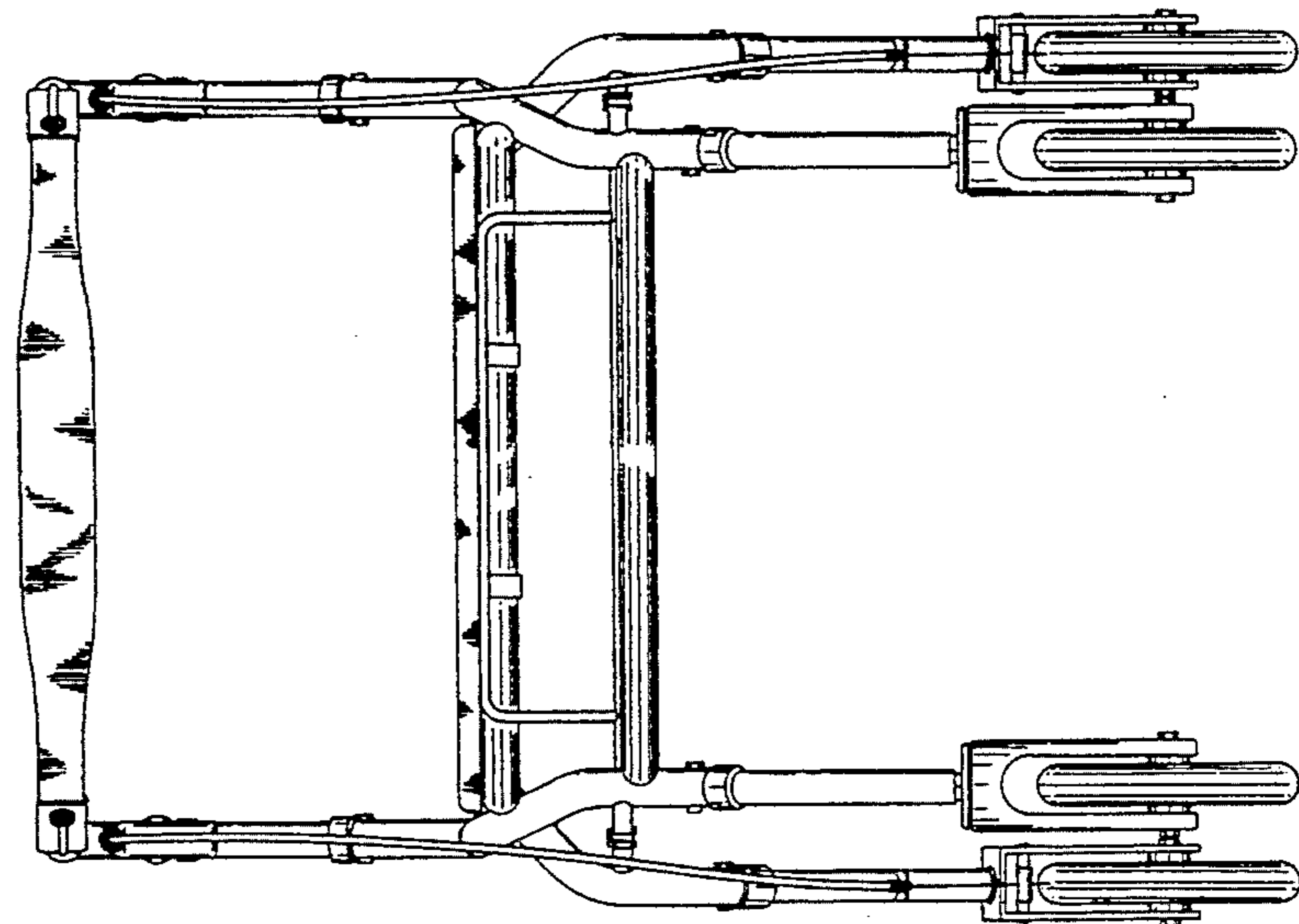


FIG. 3

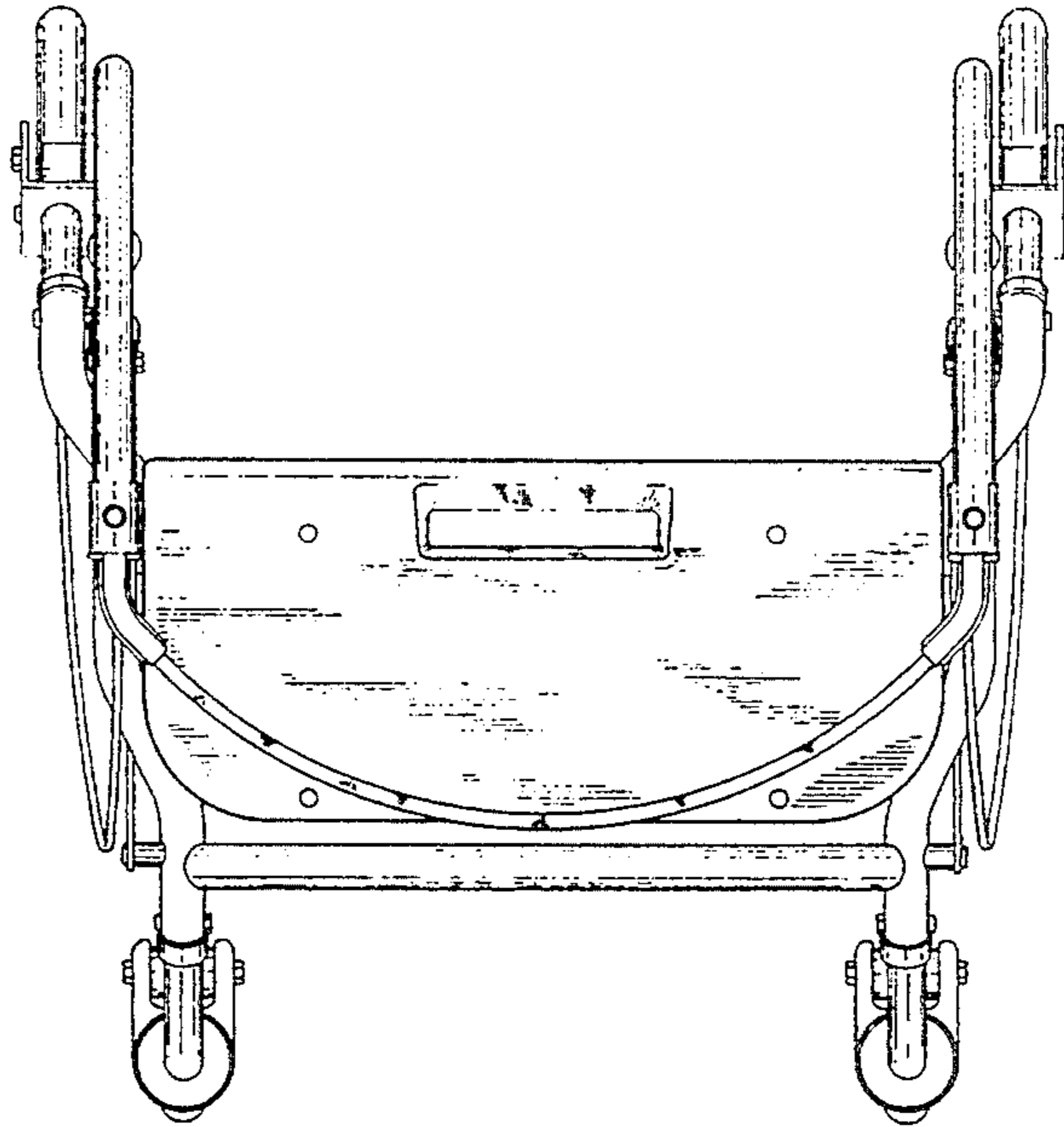


FIG. 4

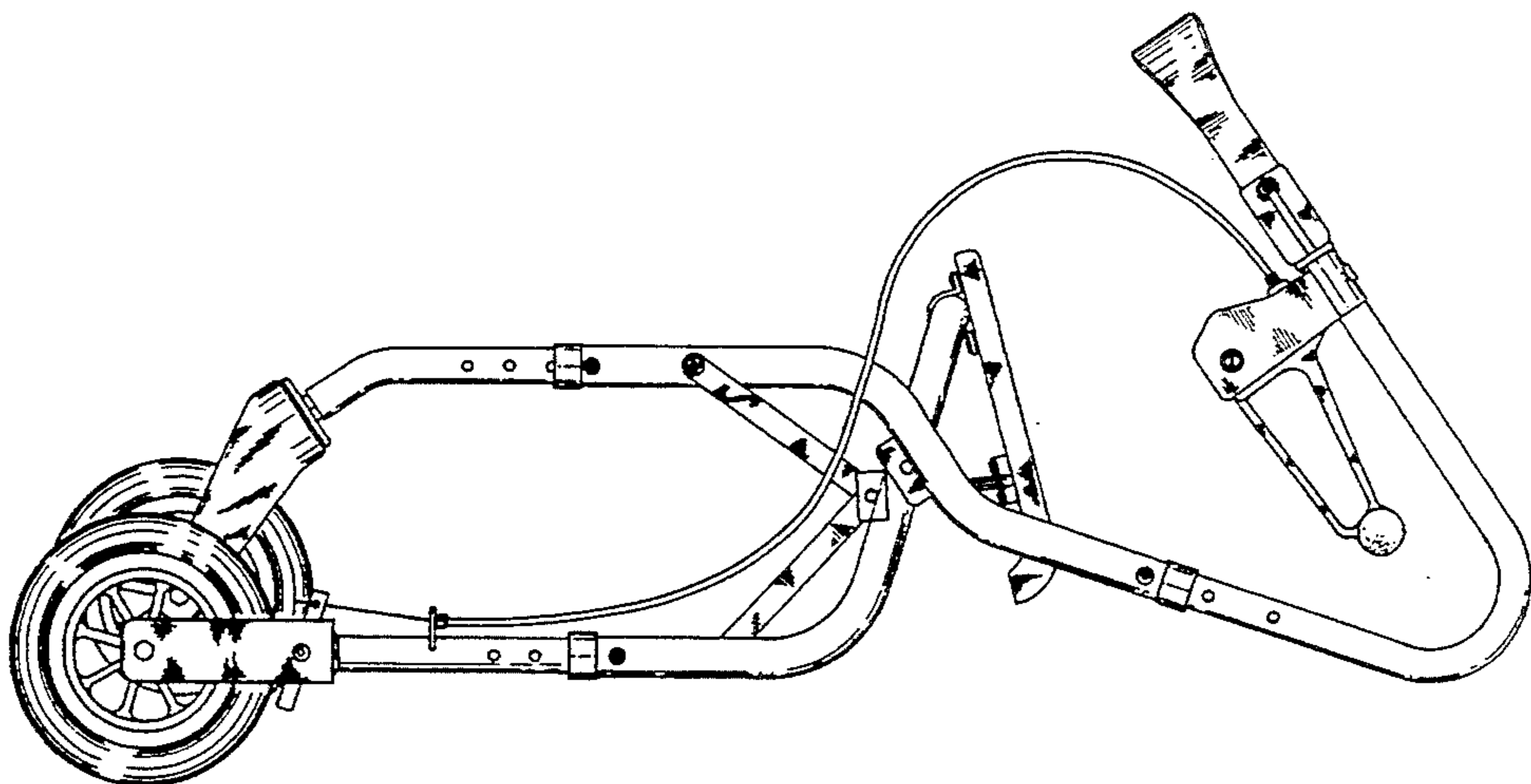


FIG. 5