



US00D361049S

# United States Patent [19]

[11] Patent Number: **Des. 361,049**

Beckman

[45] Date of Patent: **\*\* Aug. 8, 1995**

[54] STROLLER FOR AN INFANT

3,079,162	2/1963	Michels, Jr. ....	280/47.35
4,763,907	8/1988	Raymond ....	280/47.35
5,149,115	9/1992	Sampedro ....	280/33.998

[76] Inventor: **William P. Beckman**, 6032 Gettysburg Pl. #11, Stockton, Calif. 95207

*Primary Examiner*—Kay H. Chin  
*Attorney, Agent, or Firm*—Terry M. Gernstein

[\*\*] Term: **14 Years**

[57] **CLAIM**

[21] Appl. No.: **25,177**

The ornamental design for a stroller for an infant, as shown and described.

[22] Filed: **Jul. 6, 1994**

[52] U.S. Cl. .... **D12/129; D34/19**

### DESCRIPTION

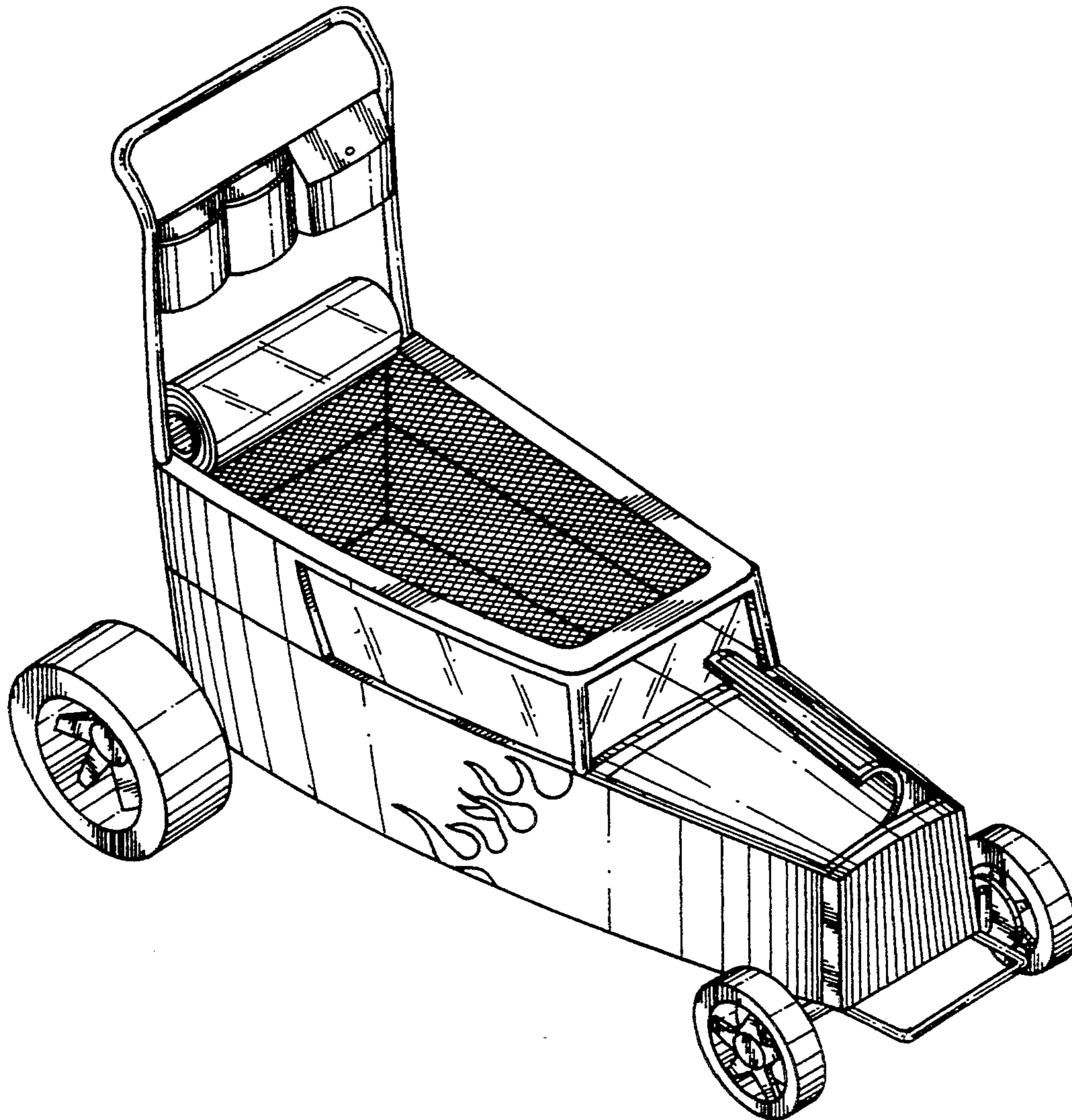
[58] Field of Search ..... **D12/128, 129; 280/47.35, DIG. 4, 3, 33.993, 79.3; D34/17, 1, 19**

FIG. 1 is a front, top and side perspective view of the stroller for an infant with the flap partially open; FIG. 2 is a front elevational view thereof with the flap closed; FIG. 3 is a rear elevational view thereof; FIG. 4 is a side elevational view thereof, the side opposite being a mirror image of the side shown in FIG. 4; FIG. 5 is a top plan view thereof; and, FIG. 6 is a bottom plan view thereof.

### [56] References Cited

#### U.S. PATENT DOCUMENTS

- D. 312,436 11/1990 Kelly .
- D. 315,885 4/1991 Jacobs .
- D. 319,202 8/1991 Reinhart .



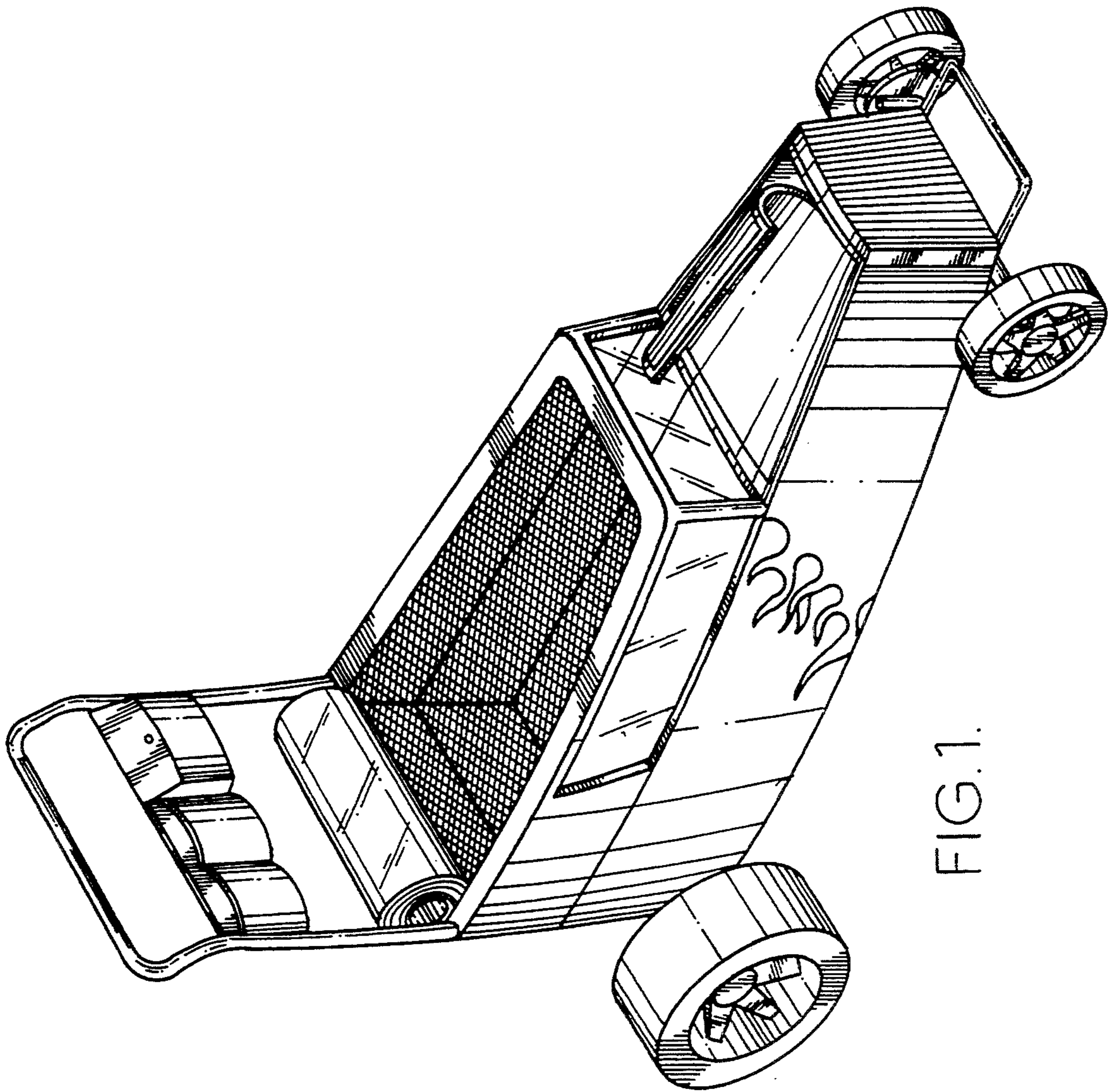


FIG.1.



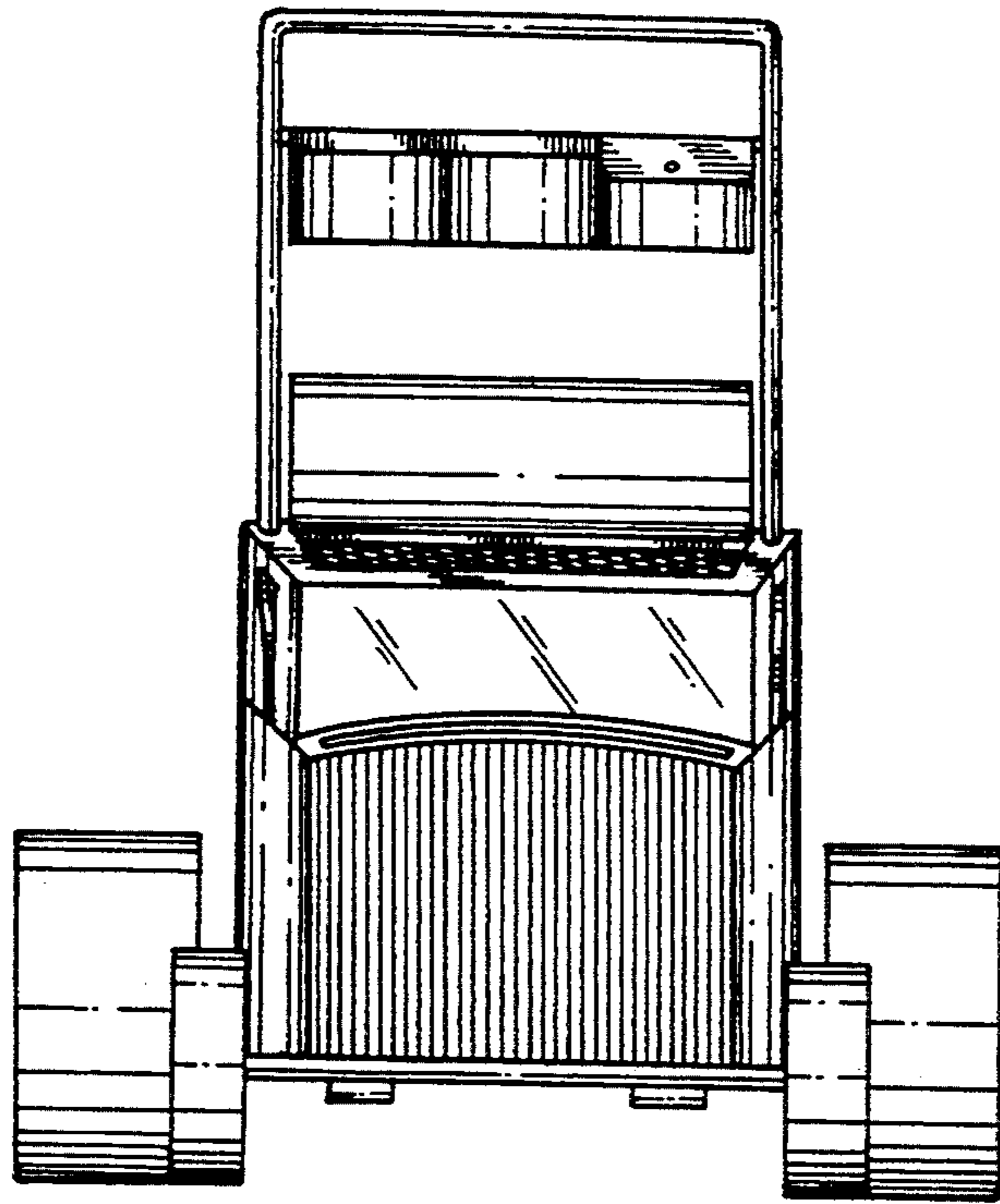
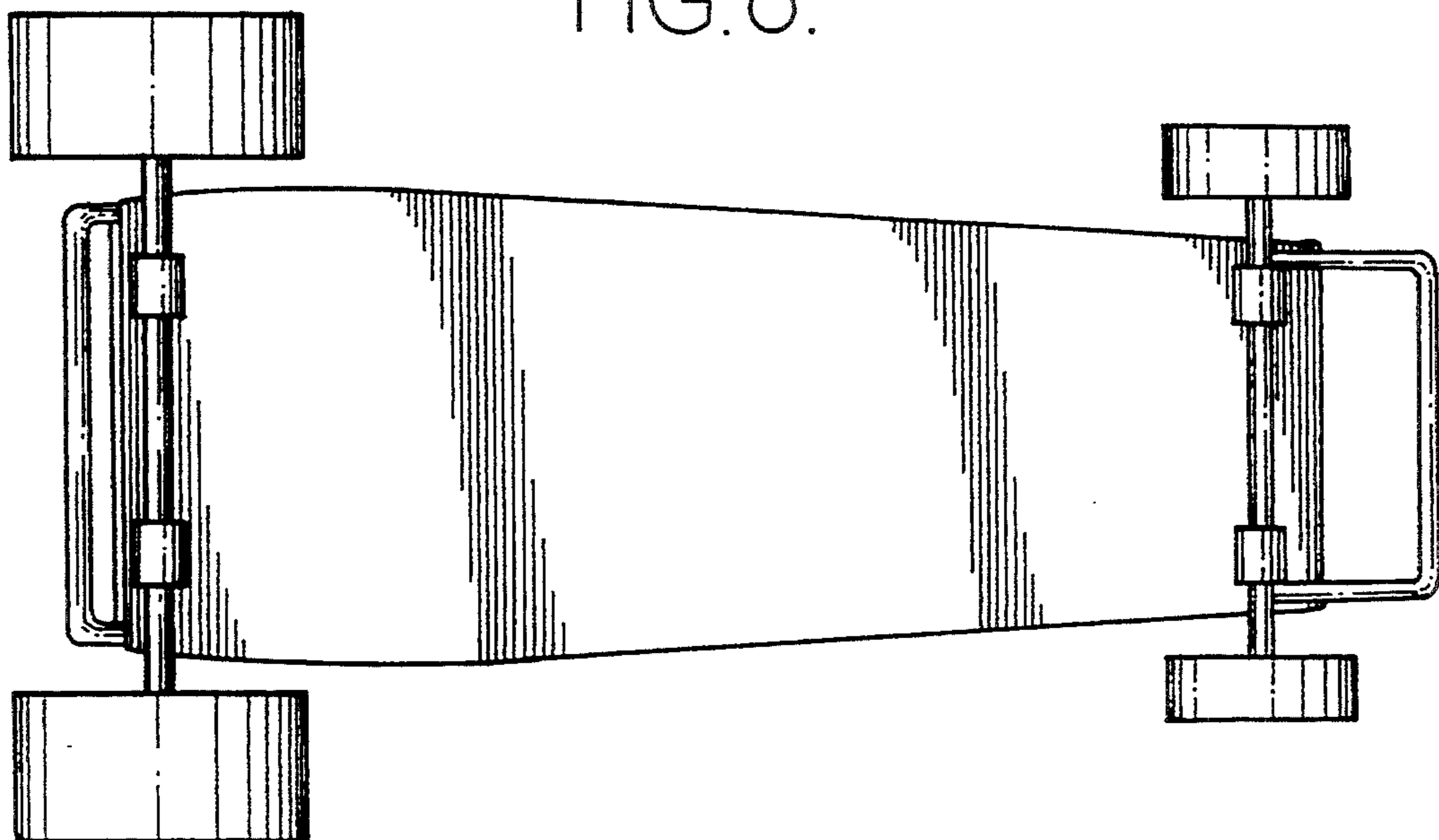


FIG. 2.

FIG. 6.



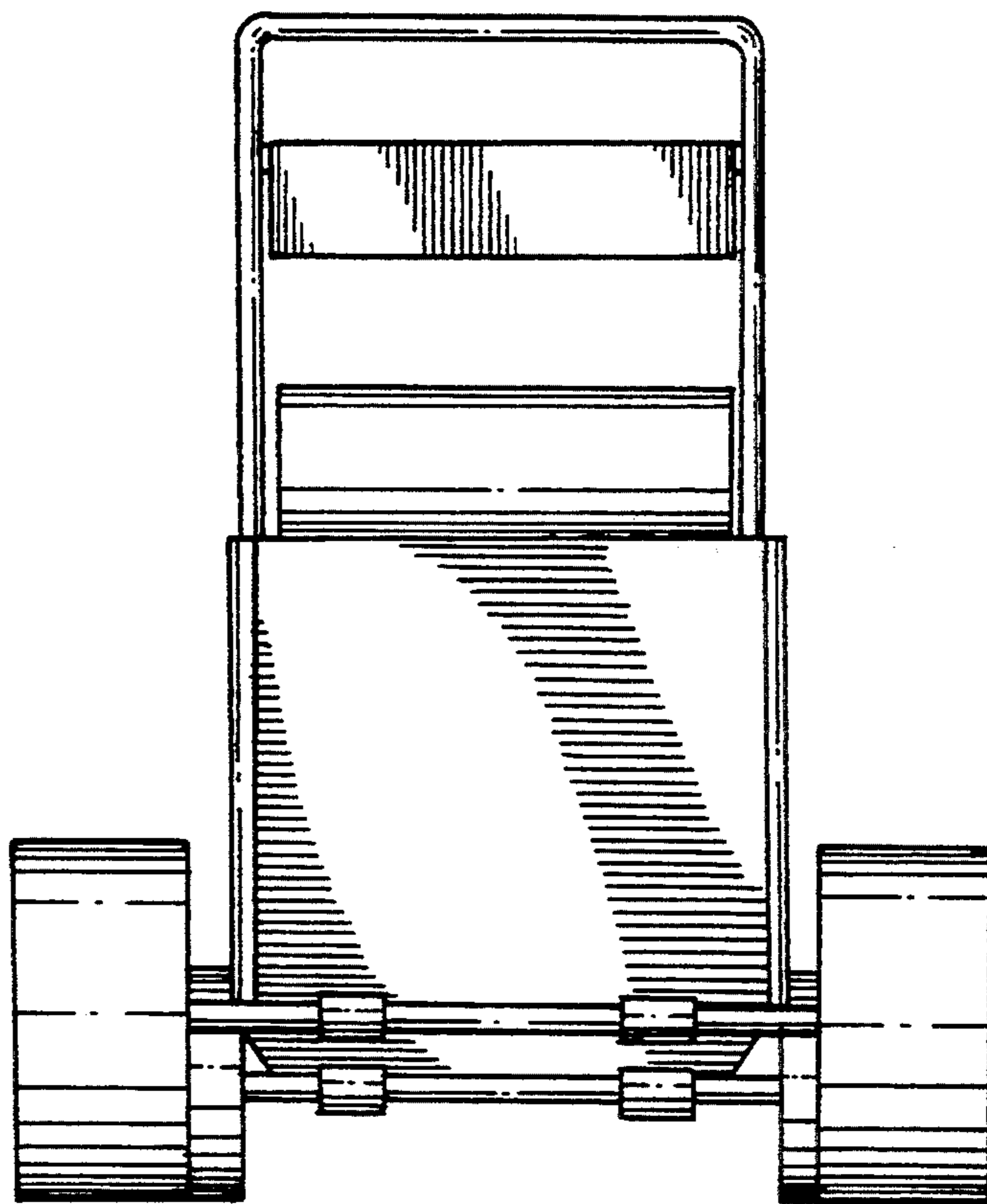


FIG. 3.

