



US00D361043S

United States Patent [19] Grilk

[11] Patent Number: **Des. 361,043**

[45] Date of Patent: **** Aug. 8, 1995**

[54] **SIGNALLING PANEL METER**

[75] Inventor: **Henry G. Grilk, Lancaster, Pa.**

[73] Assignee: **Datcon Instrument Company, Inc., East Petersburg, Pa.**

[**] Term: **14 Years**

[21] Appl. No.: **19,208**

[22] Filed: **Feb. 25, 1994**

[52] U.S. Cl. **D10/85**

[58] Field of Search **D10/46, 83, 84, 85, D10/99, 100; 73/431, 741, 700, 732-756, 866.3, 866.1**

[56] **References Cited**

U.S. PATENT DOCUMENTS

2,346,483	4/1944	Goss	73/431 X
3,060,745	10/1962	Riley	73/431 X
3,322,380	5/1967	Affel et al.	73/431 X
4,759,216	7/1988	Carpenter et al.	73/431 X

OTHER PUBLICATIONS

Datcon Instrument Company, Inc., P.O. Box 128, East

Peterburg, Pa. 17520; Heavy Duty Automotive Brochure, Cover Page; ©1992.

Howell Technical Bulletin; 3"-Diameter digital Indicators; Jun. 1966; cover page.

Primary Examiner—Antoine Duval Davis
Attorney, Agent, or Firm—Daniel Williams

[57] **CLAIM**

The ornamental design for a signalling panel meter, as shown.

DESCRIPTION

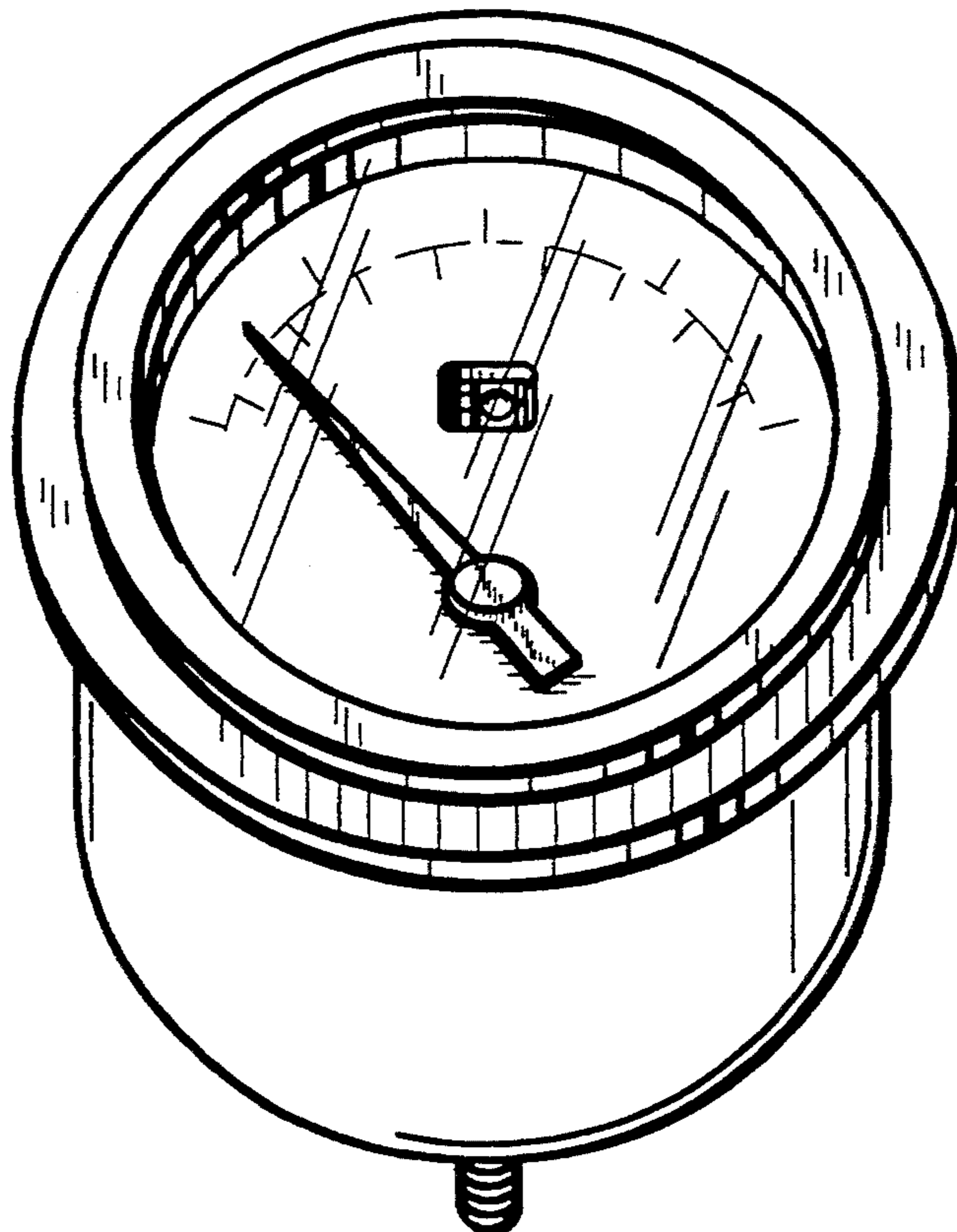
FIG. 1 is a front top perspective view of a signalling panel meter showing my new design in full lines with the broken lines showing environmental matter, in the form of scale markings, is for illustrative purposes only and forming no part of the claimed design;

FIG. 2 is a top plan view thereof showing my new design in full lines with the broken lines showing environmental matter, in the form of scale markings, is for illustrative purposes only and forming no part of the claimed design;

FIG. 3 is a front elevational view thereof;

FIG. 4 is a bottom plan view thereof; and,

FIG. 5 is a bottom perspective view thereof.



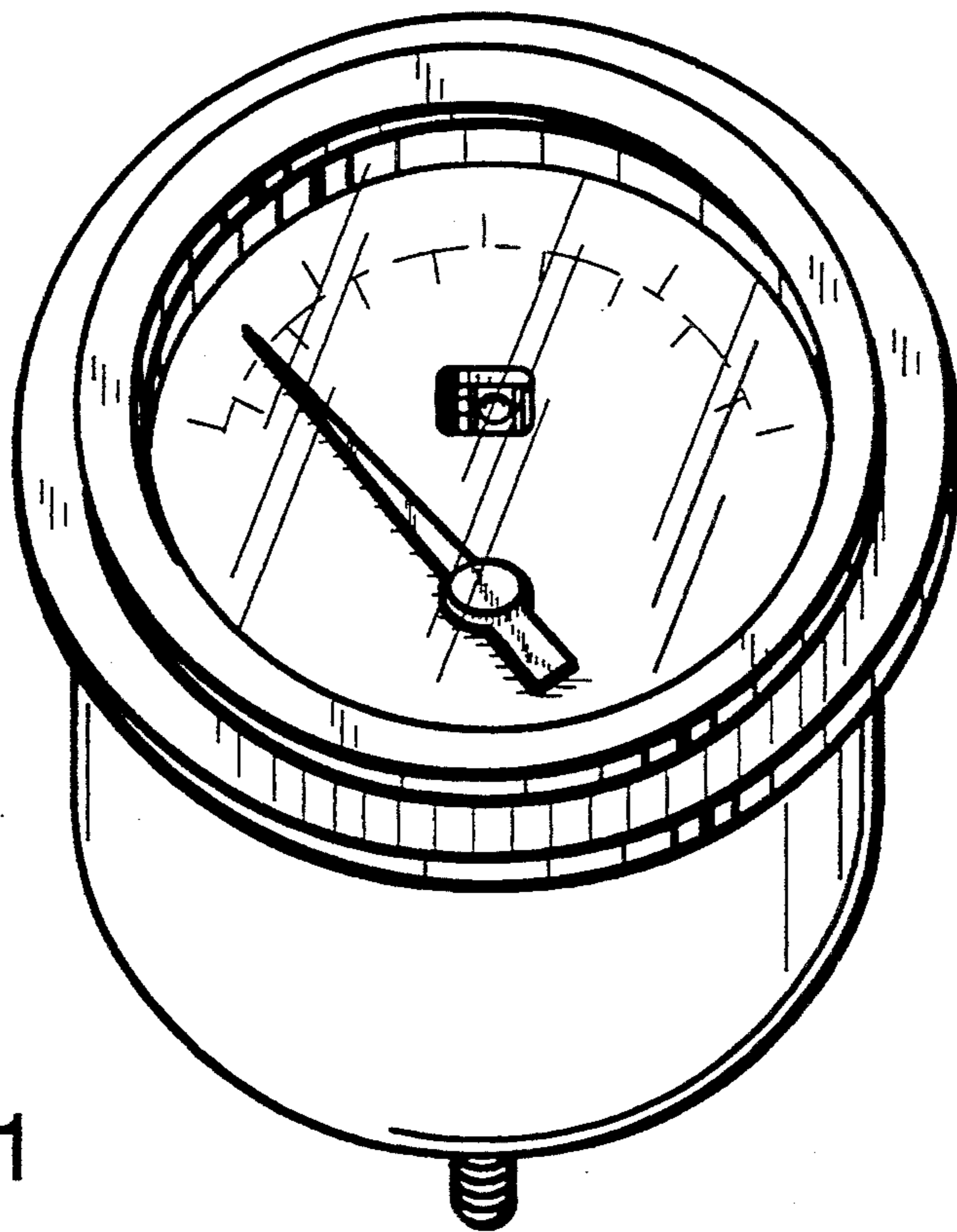


Fig. 1

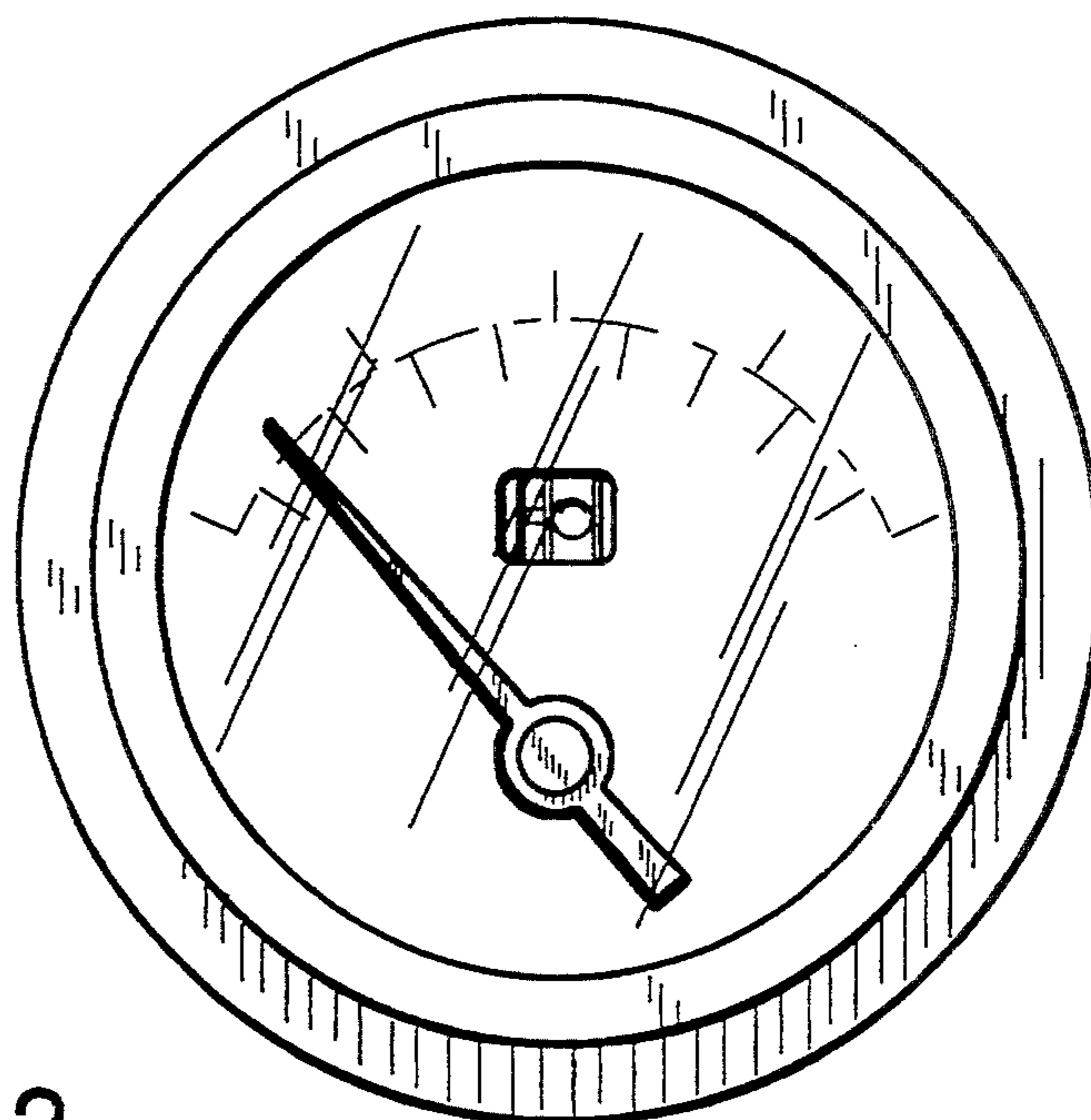


Fig. 2

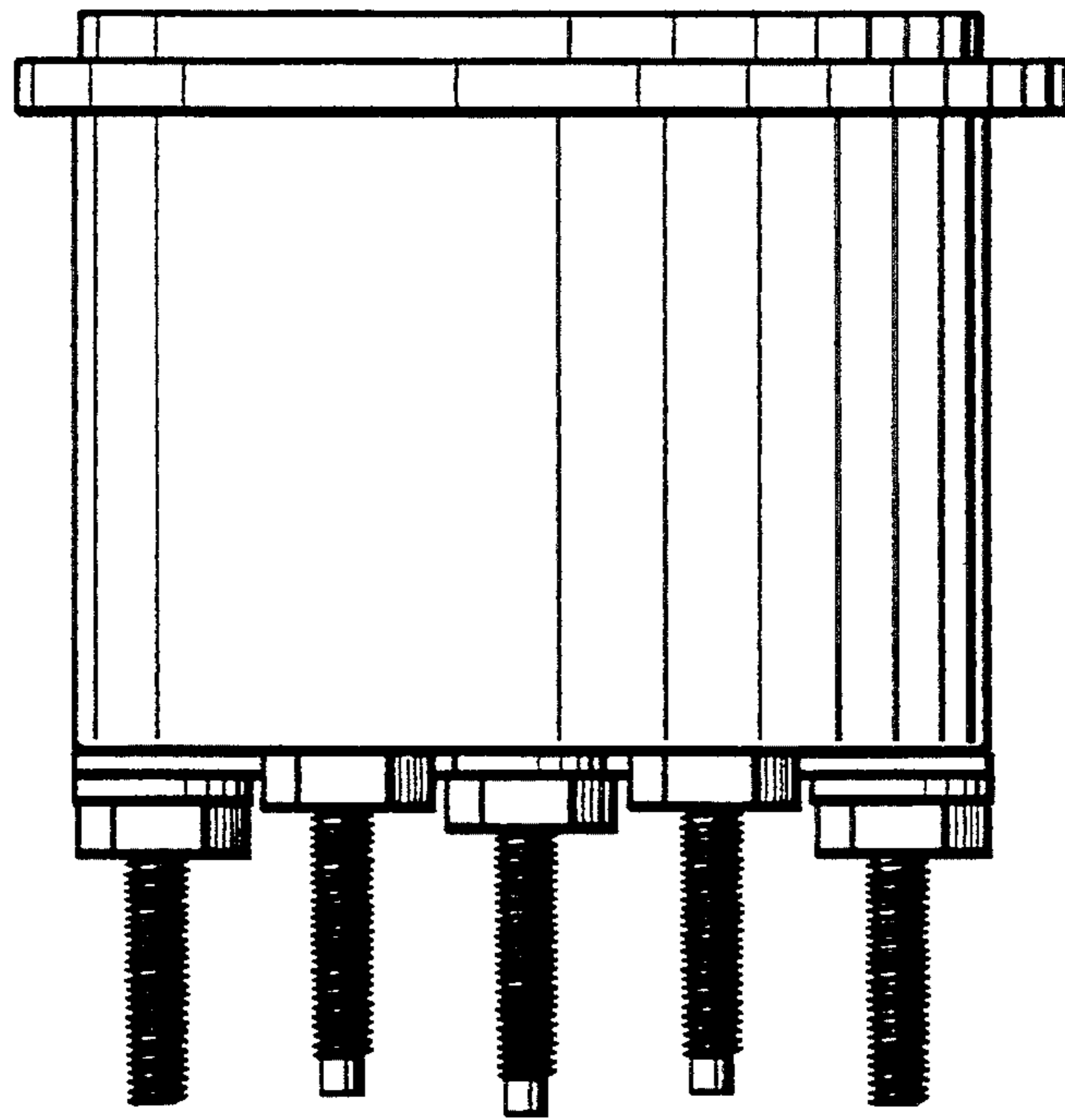


Fig. 3

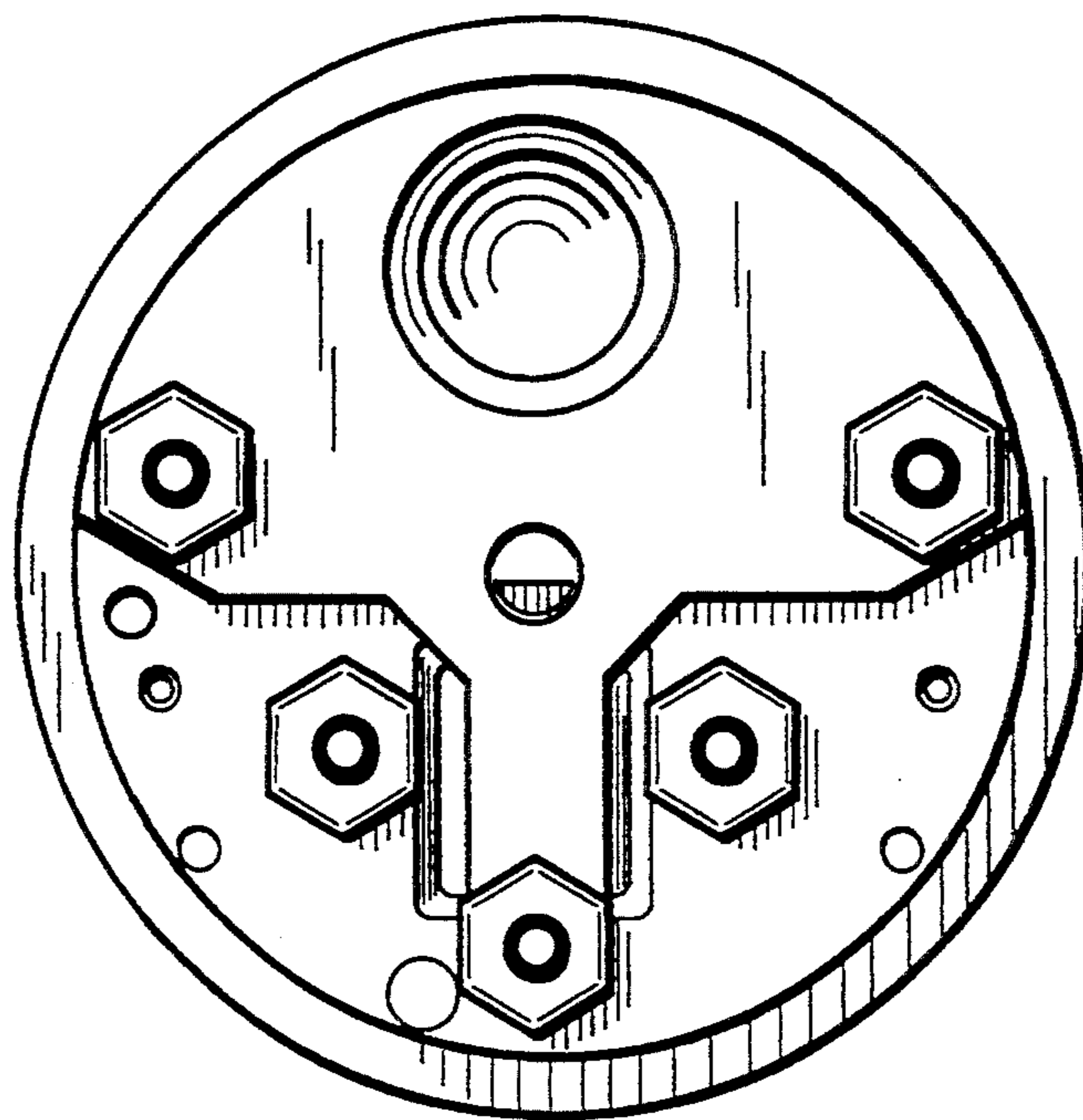


Fig. 4

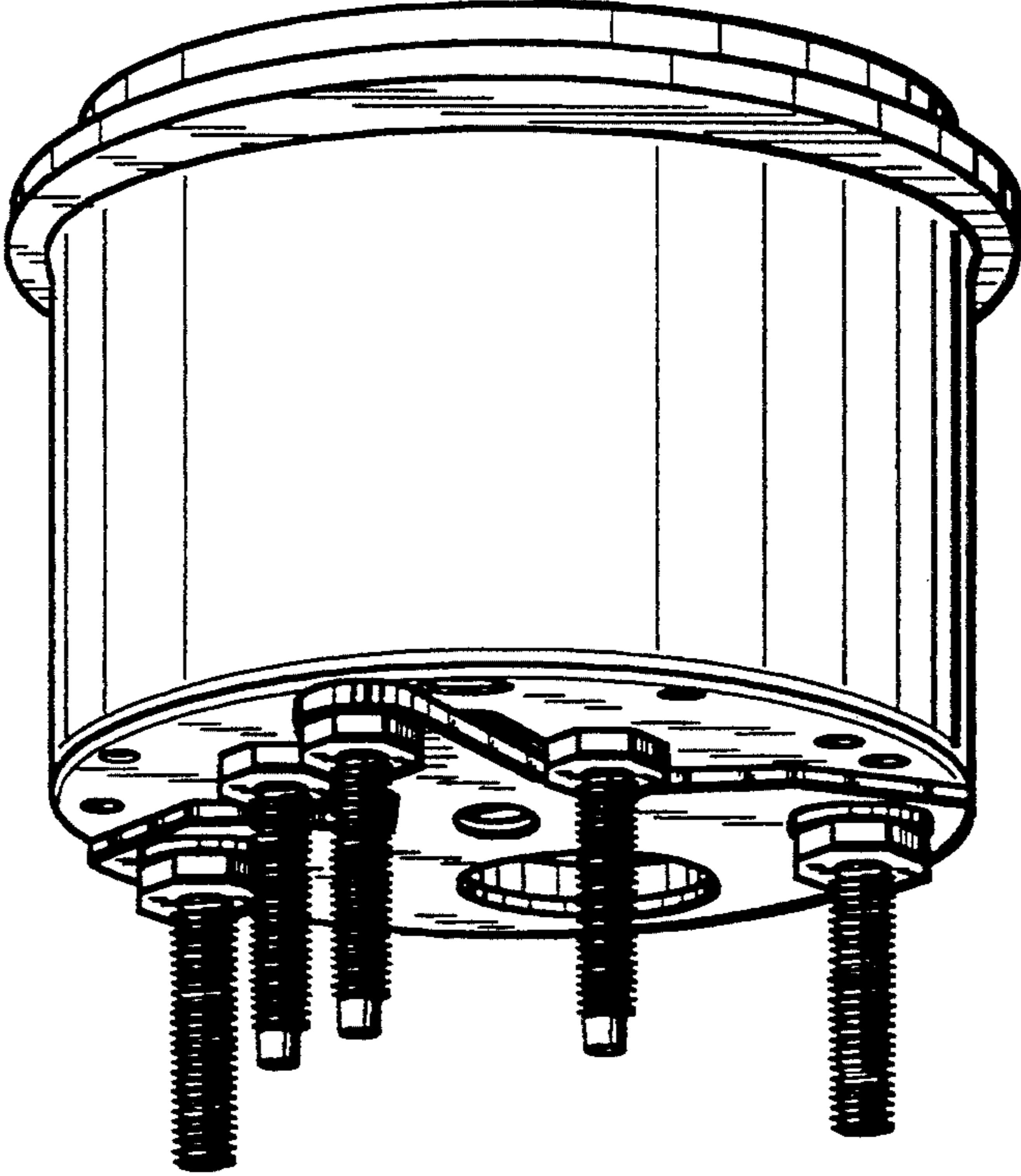


Fig. 5