



US00D361040S

United States Patent [19]

[11] Patent Number: **Des. 361,040**

Shinozaki

[45] Date of Patent: **** Aug. 8, 1995**

- [54] **CLOCK**
- [75] Inventor: **Minako Shinozaki, Tokyo, Japan**
- [73] Assignee: **Seikosha Co., Ltd., Japan**
- [**] Term: **14 Years**
- [21] Appl. No.: **20,017**
- [22] Filed: **Mar. 16, 1994**
- [52] U.S. Cl. **D10/23; D10/28; D10/1**
- [58] Field of Search **D10/1-40, D10/122-132; 368/276-277, 285, 316-317**

- D. 197,617 3/1964 Shanuk D10/1
- 3,062,491 11/1962 Green D10/1

Primary Examiner—Nelson C. Holtje
Attorney, Agent, or Firm—Adams & Wilks

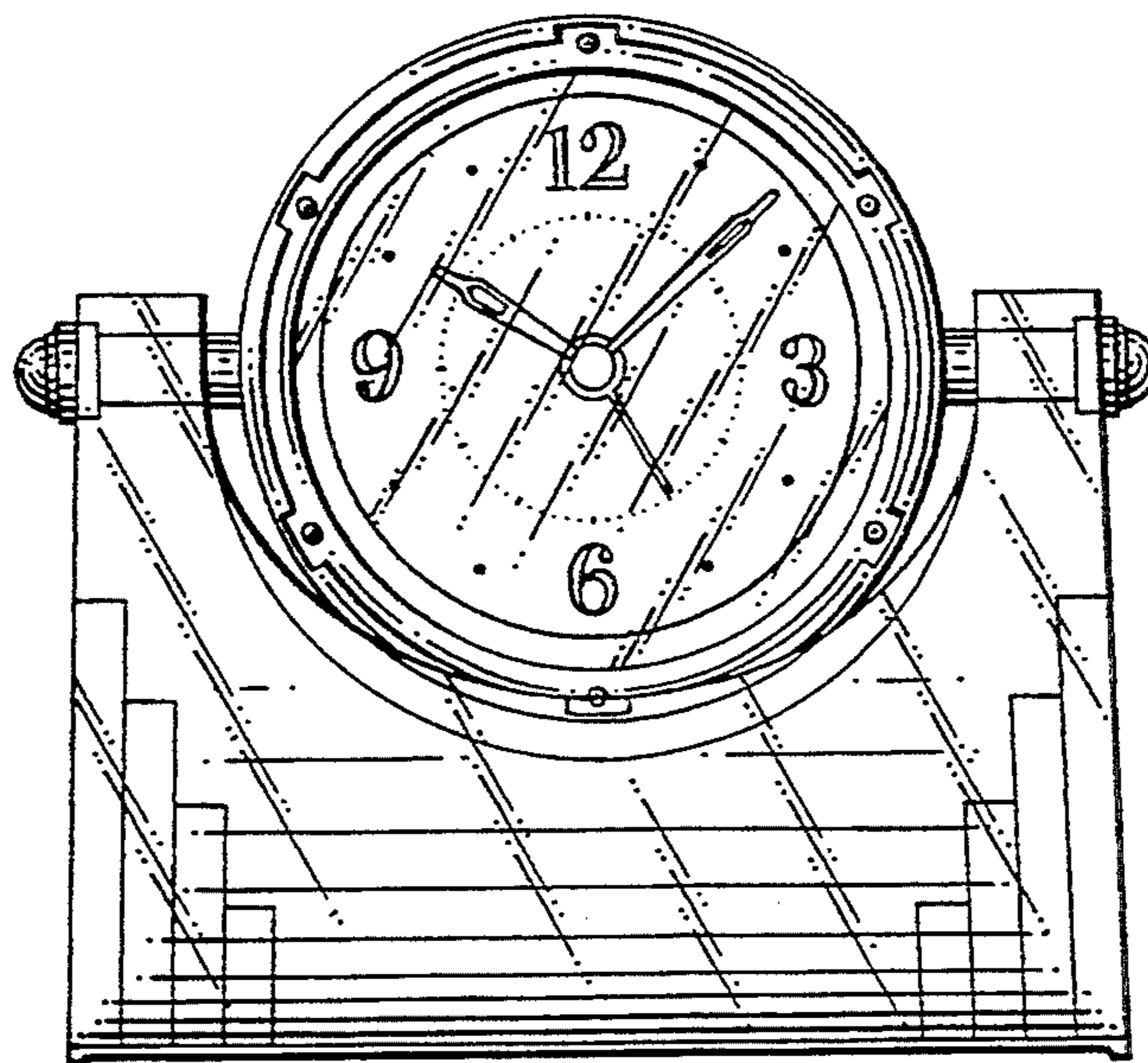
[57] **CLAIM**

The ornamental design for a clock, as shown and described.

DESCRIPTION

FIG. 1 is a front elevational view of a clock showing my new design;
 FIG. 2 is a rear elevational view thereof;
 FIG. 3 is a top plan view thereof;
 FIG. 4 is a bottom plan view thereof;
 FIG. 5 is a right side elevational view thereof, the left side being the same in appearance as the right side; and,
 FIG. 6 is right side elevational view thereof showing the clock body in an inclined state.

- [56] **References Cited**
- U.S. PATENT DOCUMENTS**
- D. 68,184 9/1925 Weidman D10/23
- D. 75,623 6/1928 Herbermann D10/23
- D. 79,748 10/1929 Ogden D10/21



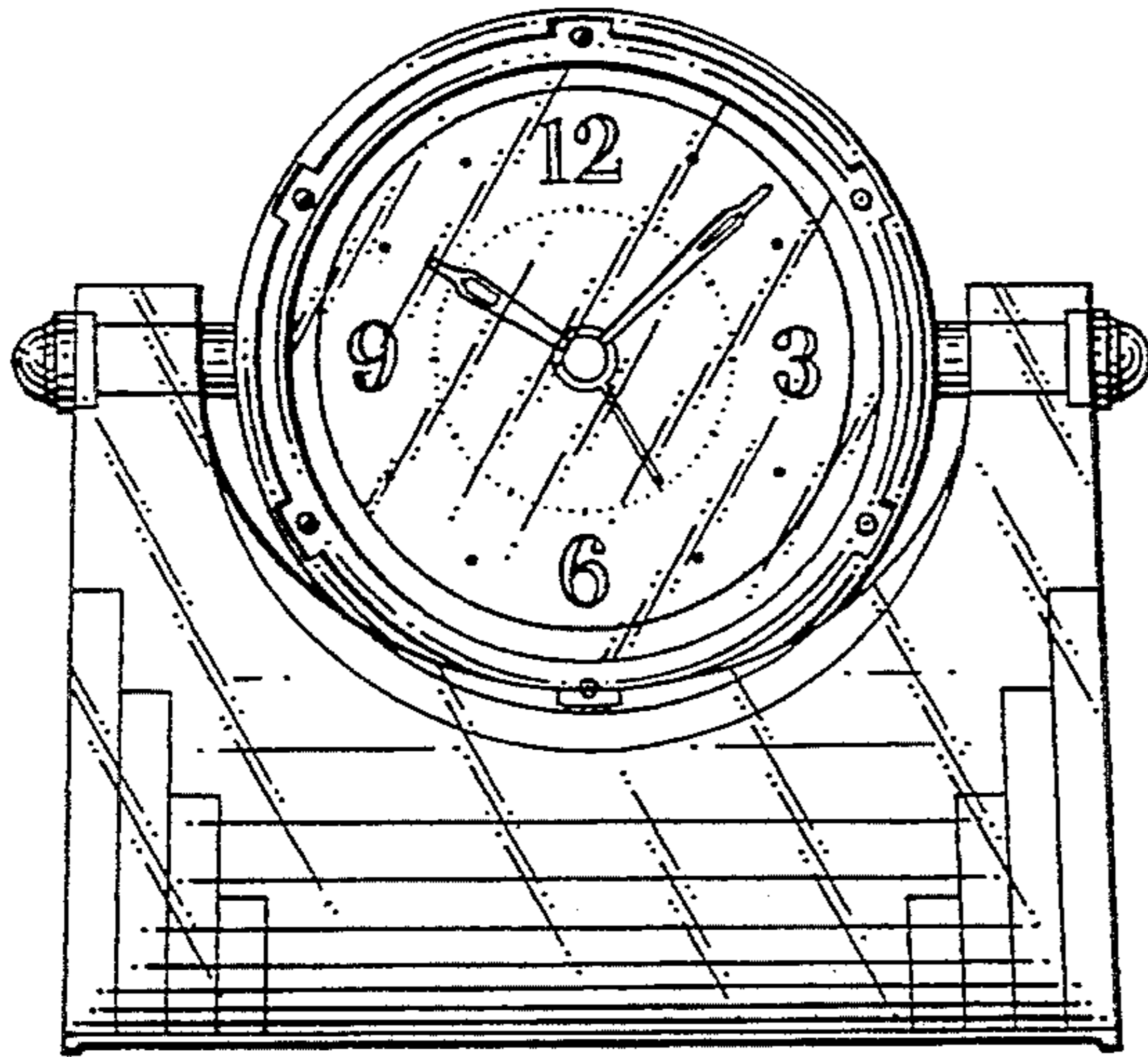


FIG. 1

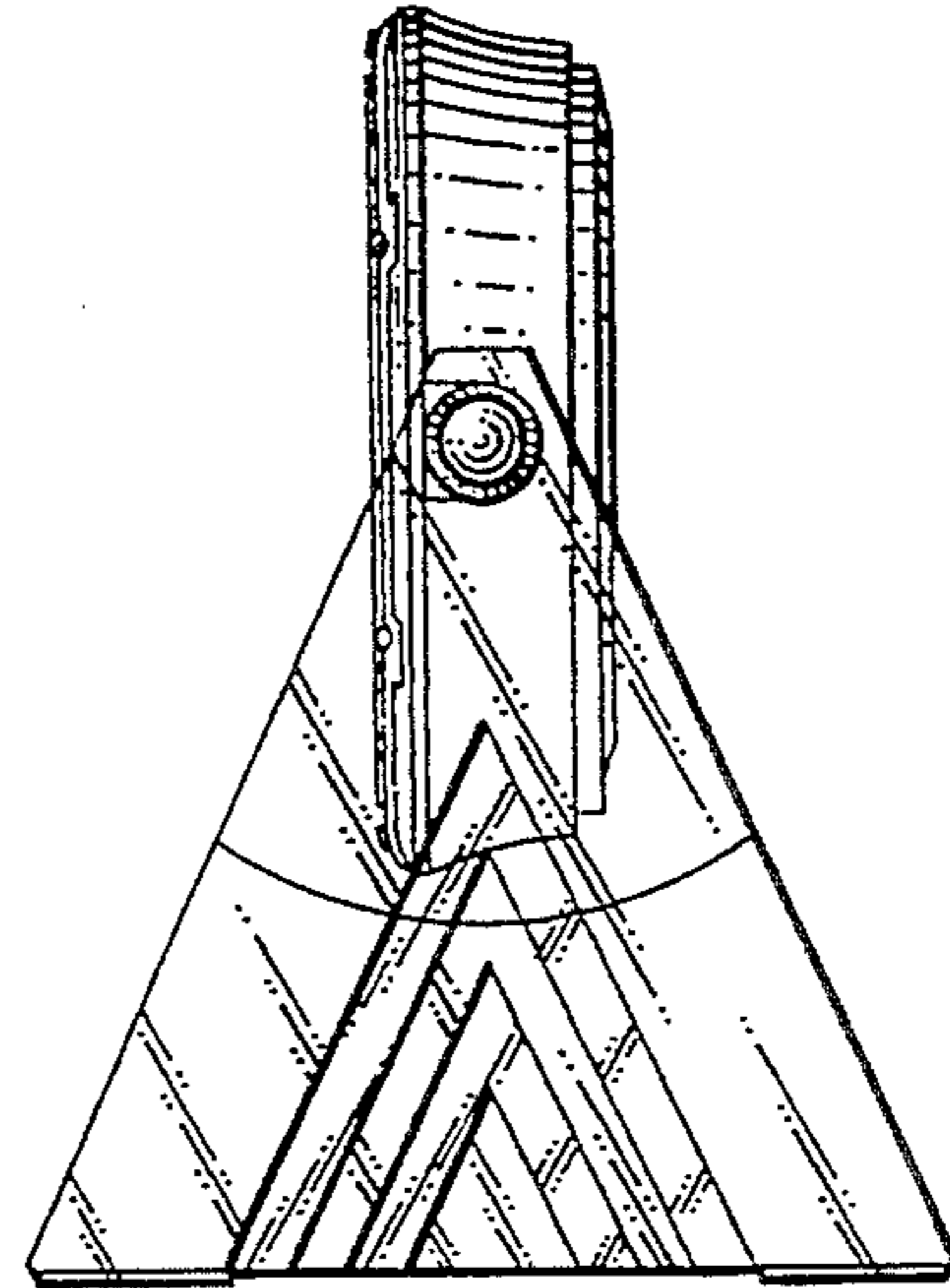


FIG. 5

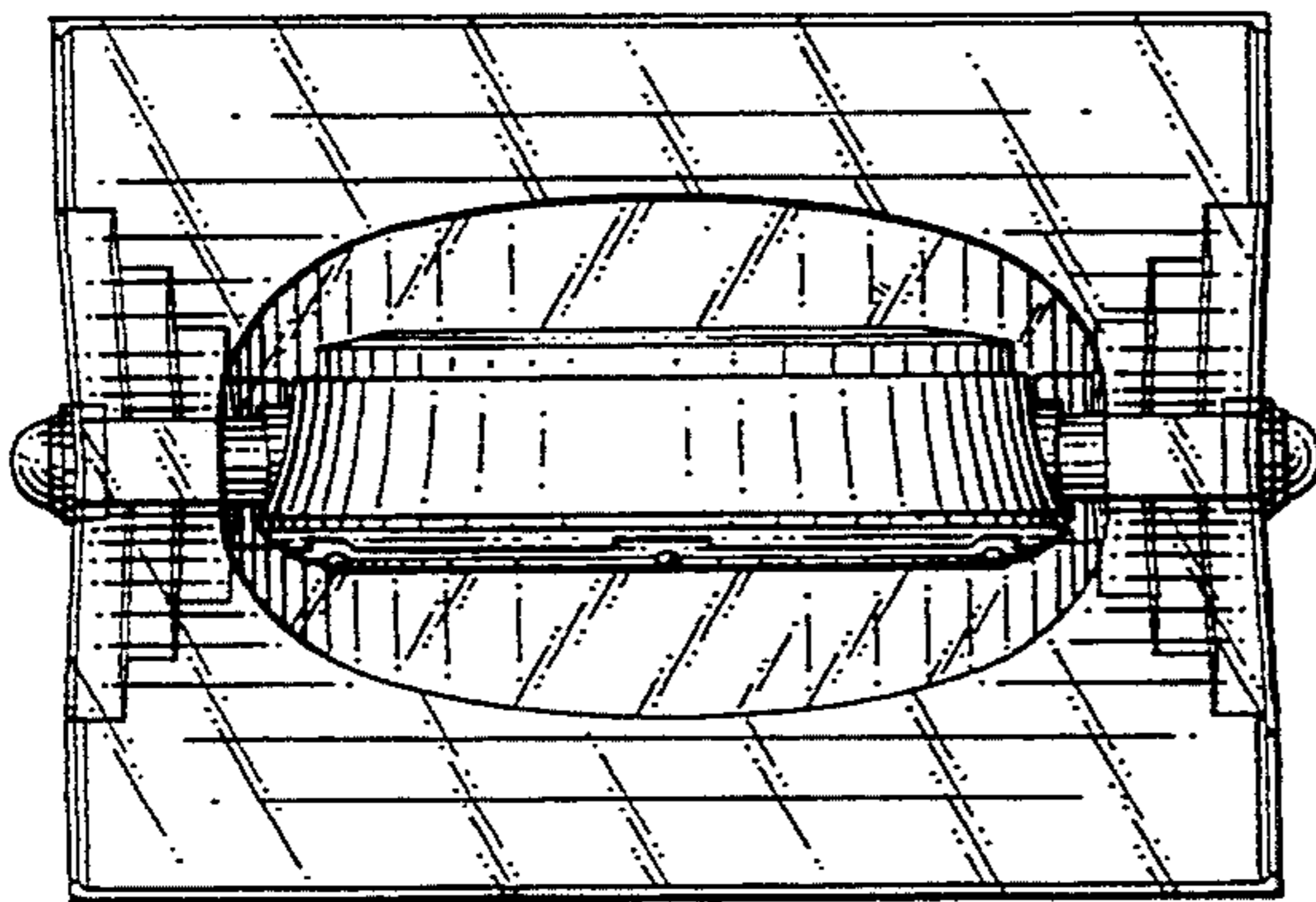


FIG. 3

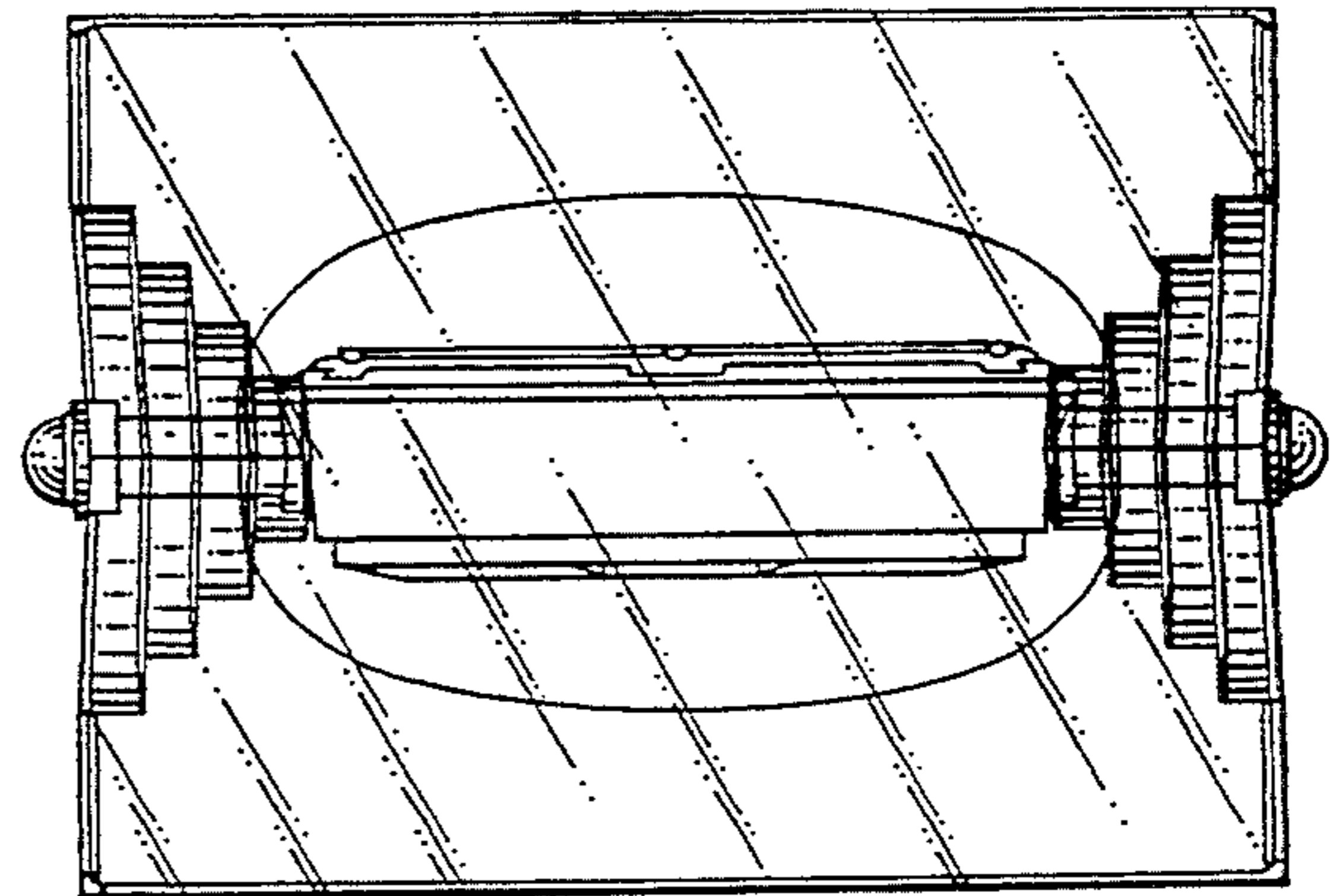


FIG. 4

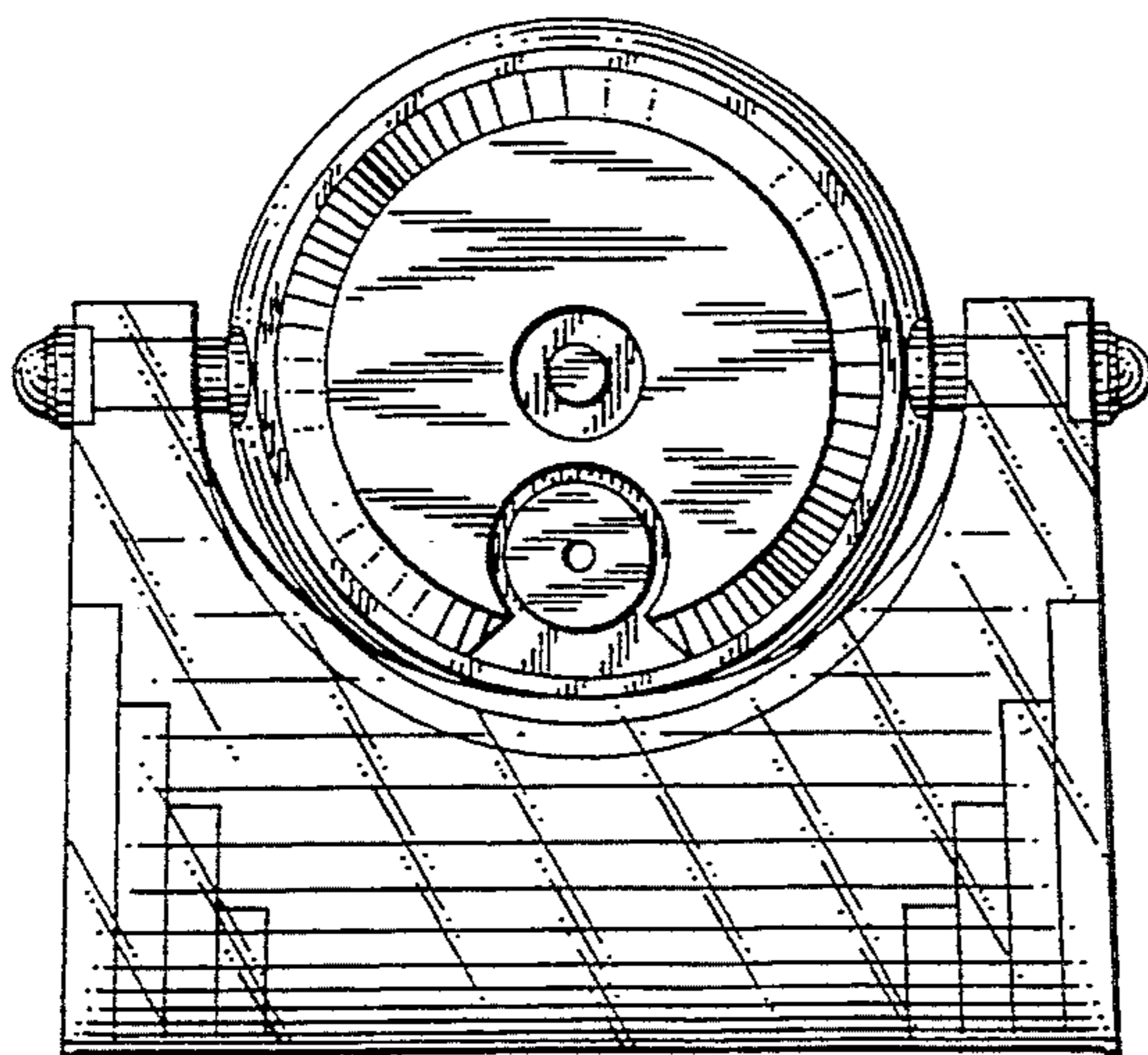


FIG. 2

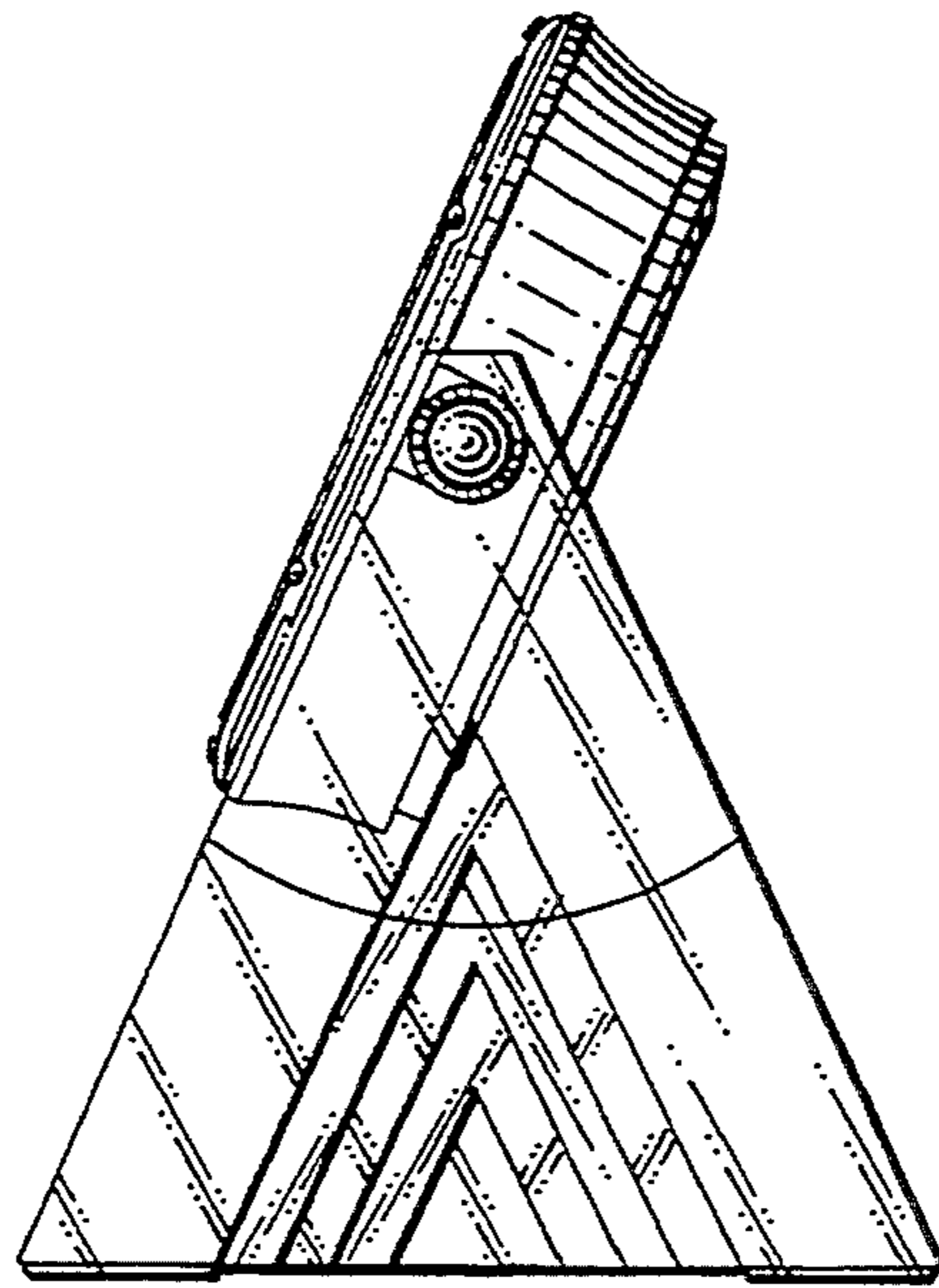


FIG. 6