



US00D361037S

# United States Patent [19]

[11] Patent Number: **Des. 361,037**

**Jonsson**

[45] Date of Patent: **\*\* Aug. 8, 1995**

[54] SAFETY FUEL-DISPENSING BOTTLE CAP

[75] Inventor: **Erik Jonsson**, Trangsviken, Sweden

[73] Assignee: **Trangia AB**, Trangsviken, Sweden

[\*\*] Term: **14 Years**

[21] Appl. No.: **18,933**

[22] Filed: **Feb. 17, 1994**

[52] U.S. Cl. .... **D9/447; D9/449**

[58] Field of Search ..... **D7/396.2; D9/434-436, D9/439-440, 447-450, 453-454; 220/288, DIG. 5, DIG. 7; 222/189, 525, 541, 566-567, 570-571, 575; 239/571**

4,036,402 7/1977 Taylor ..... 222/189

4,245,760 6/1981 Stevenson et al. .... 222/567

4,715,393 12/1987 Newton ..... 239/571

4,809,913 3/1989 Gunlock ..... 239/571

4,979,643 12/1990 Lipisko et al. .... 222/541

*Primary Examiner*—Alan P. Douglas  
*Assistant Examiner*—R. Spear  
*Attorney, Agent, or Firm*—Michael, Best & Friedrich

### [57] CLAIM

The ornamental design for a safety fuel-dispensing bottle cap, as shown and described.

### DESCRIPTION

FIG. 1 is a perspective view of a safety fuel-dispensing bottle cap showing my new design;  
 FIG. 2 is a top plan view thereof;  
 FIG. 3 is a bottom plan view thereof;  
 FIG. 4 is a right side elevational view thereof, the left side view being a mirror image of that shown; and,  
 FIG. 5 is a front elevational view thereof.

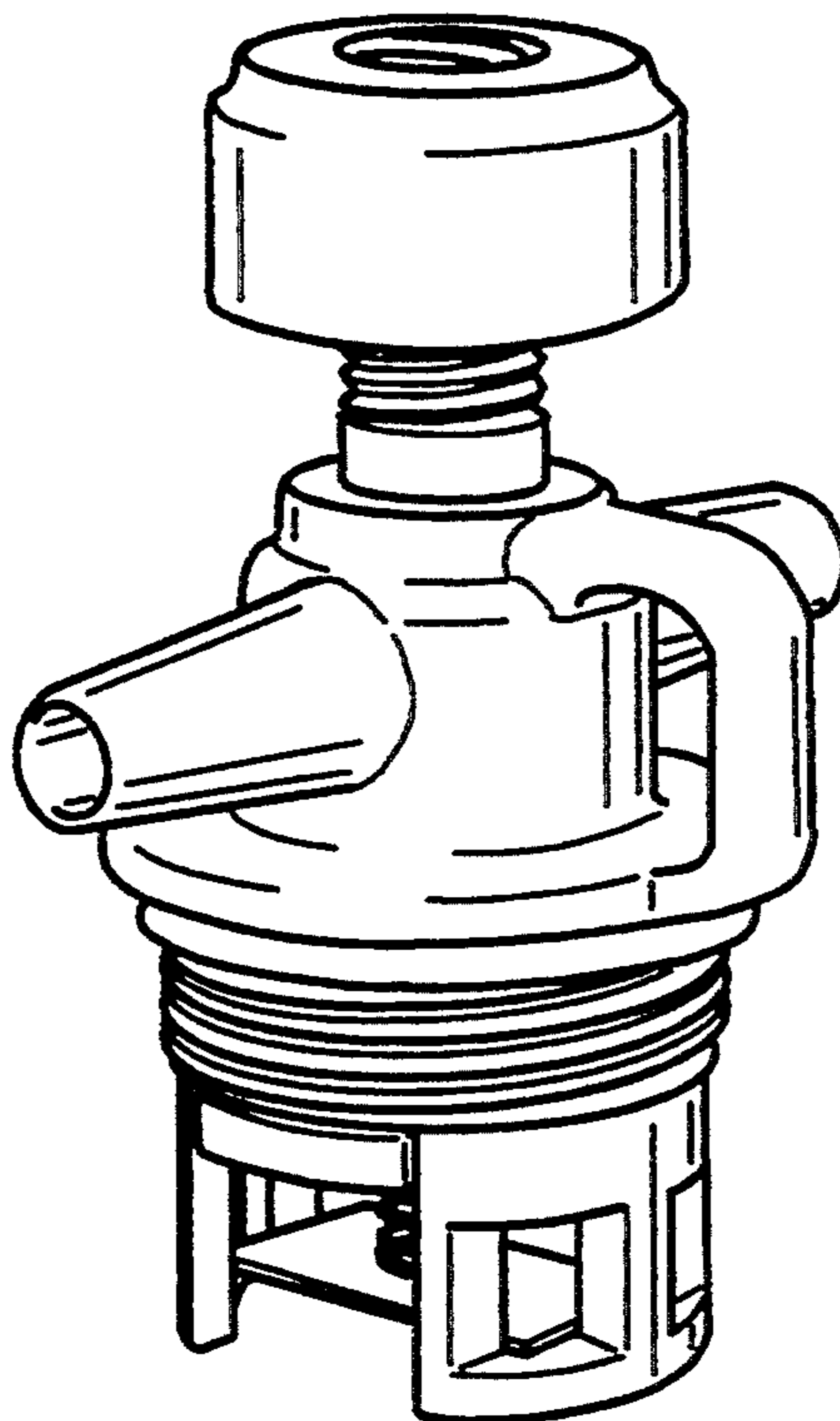
[56] **References Cited**  
**U.S. PATENT DOCUMENTS**

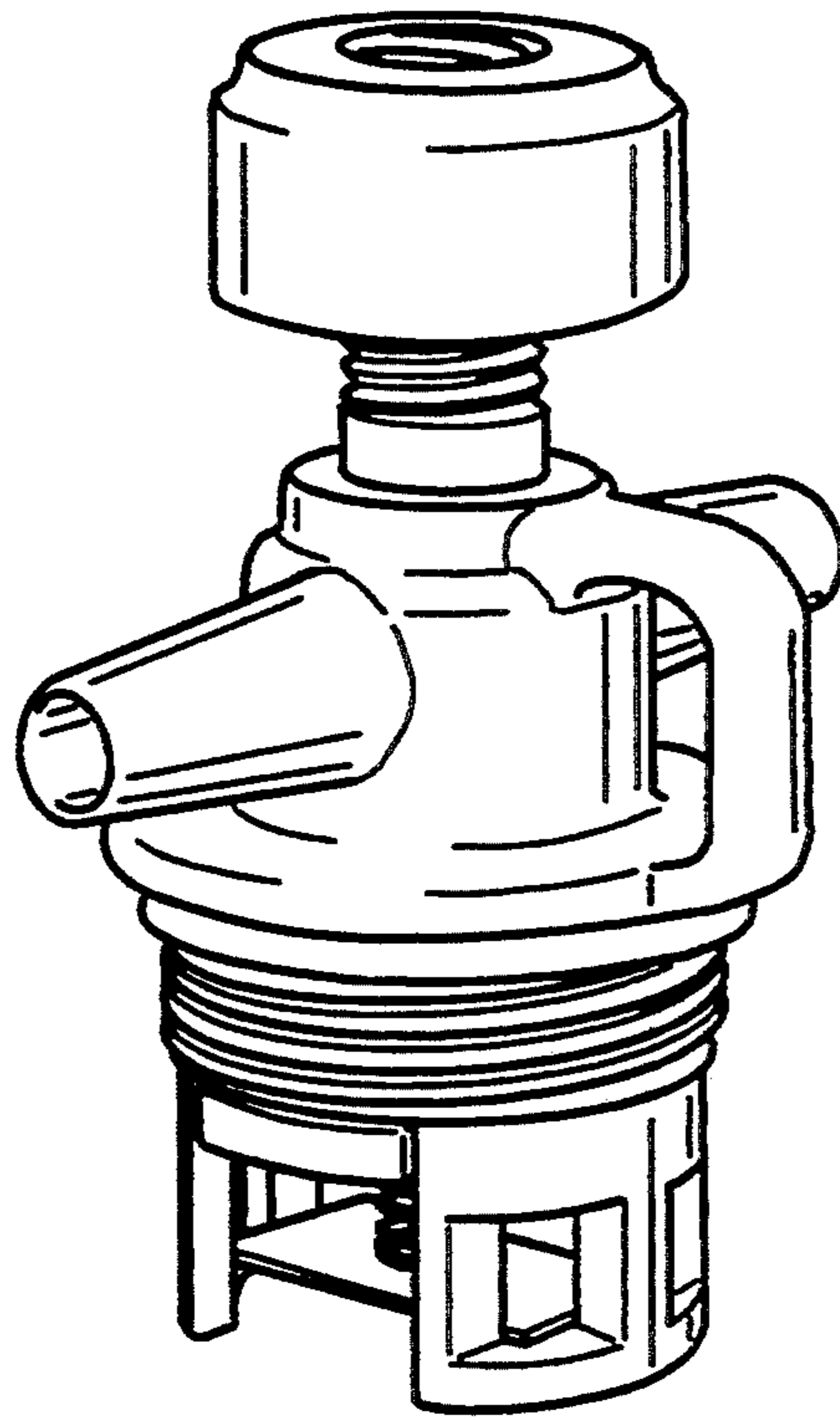
D. 101,575 10/1936 Windbiel ..... D9/449

D. 259,861 7/1981 Hirtle ..... D9/450

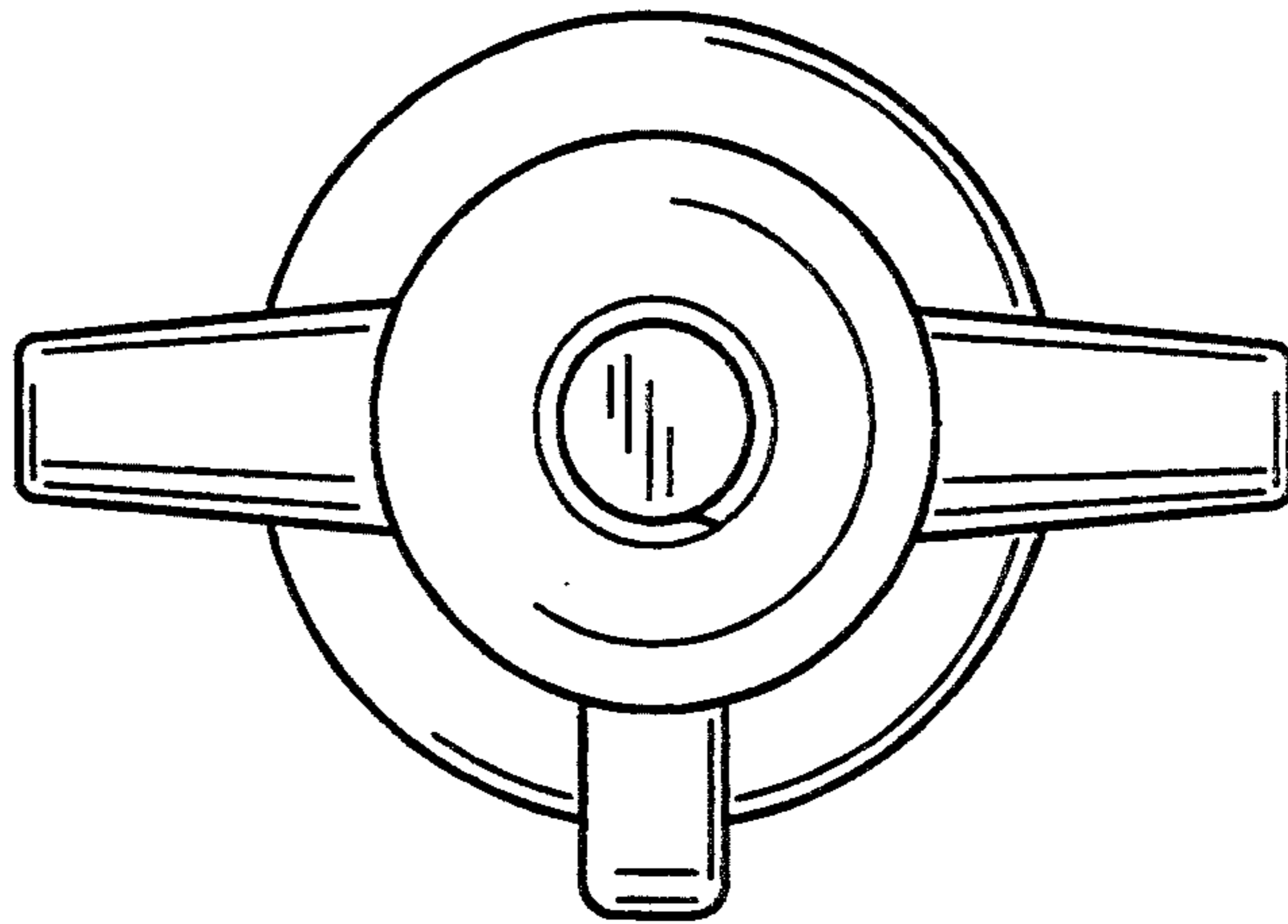
D. 324,868 3/1992 Jacobs ..... D9/440

3,186,643 6/1965 George et al. .... 239/571

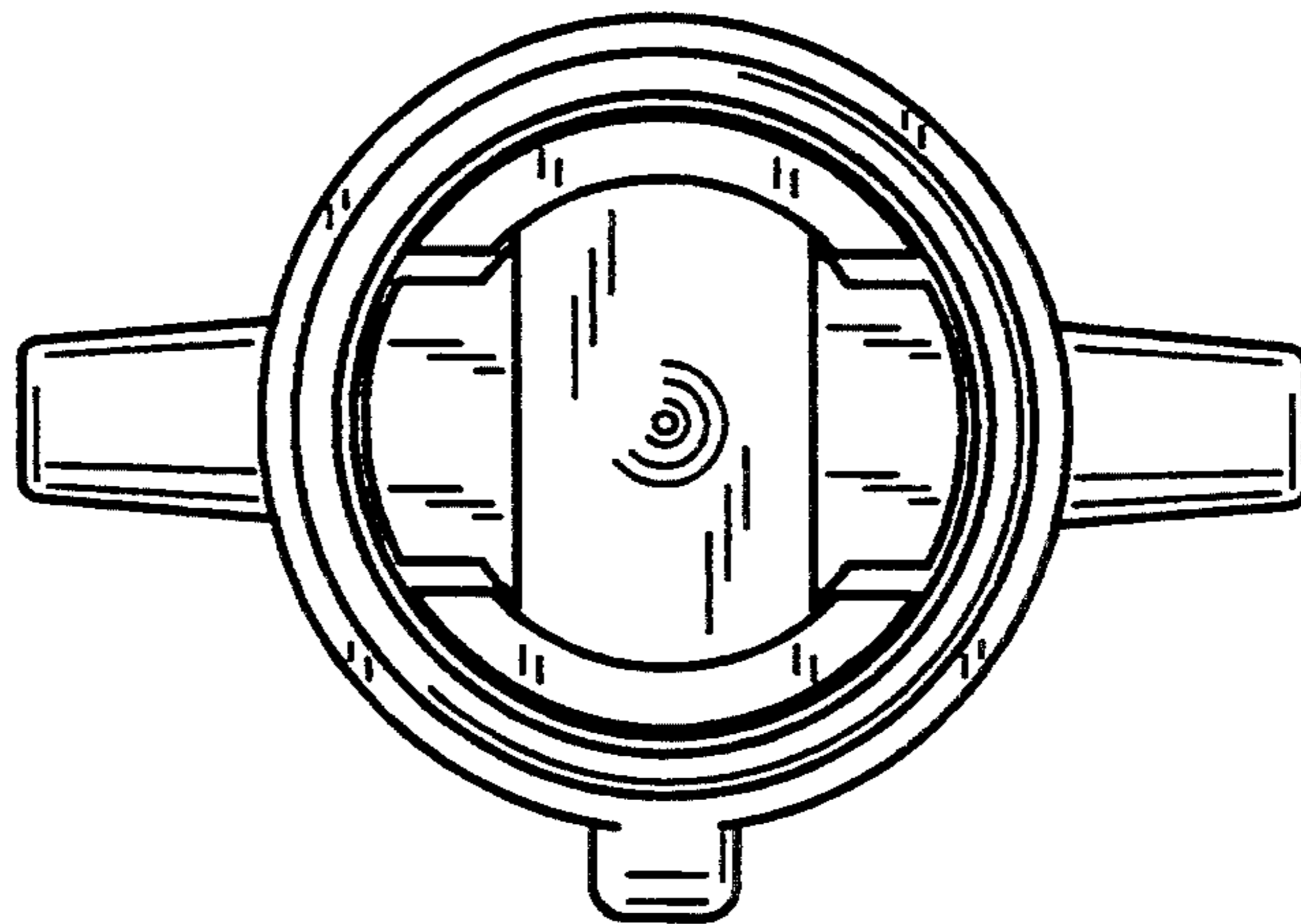




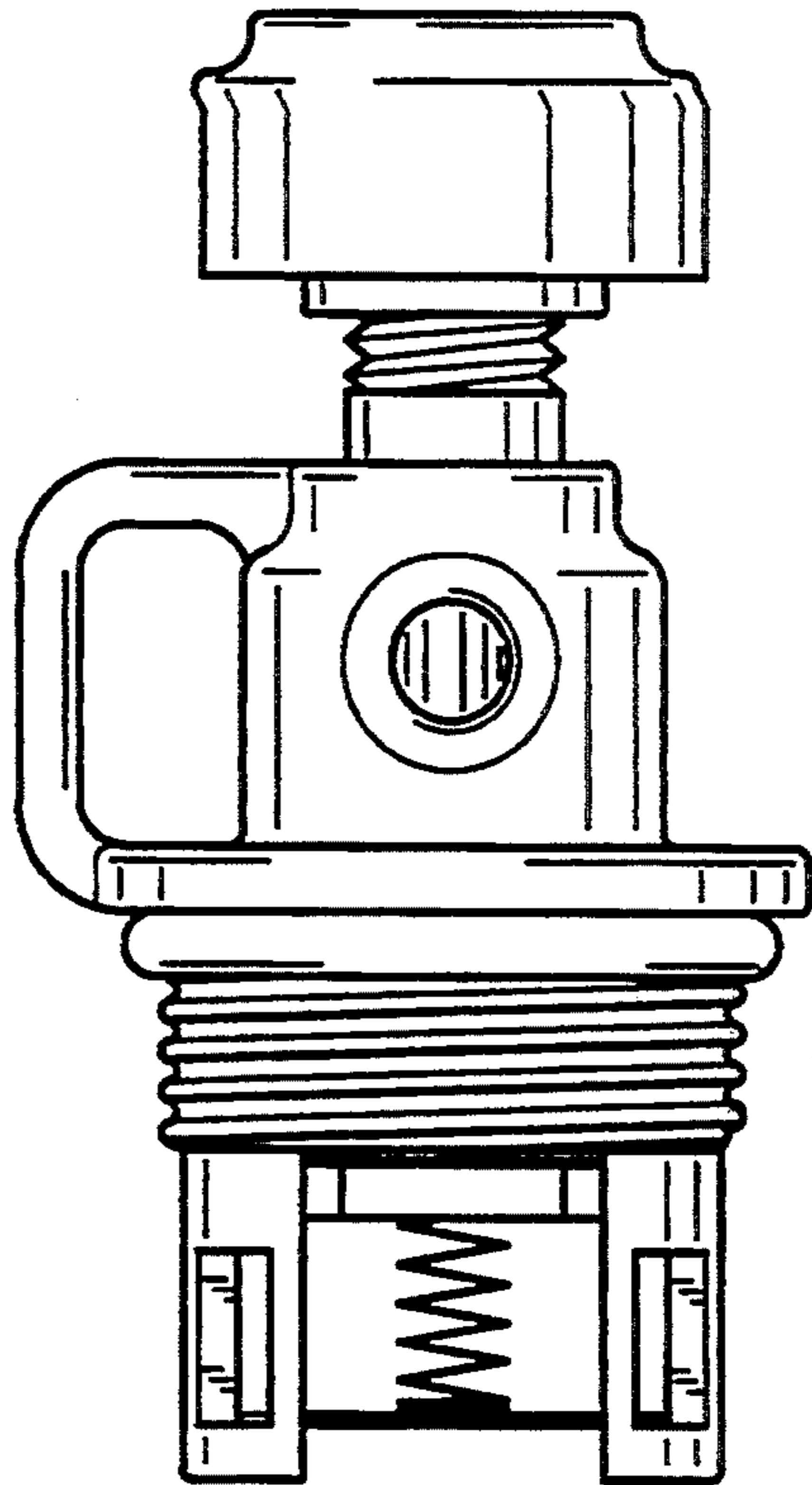
*Fig. 1*



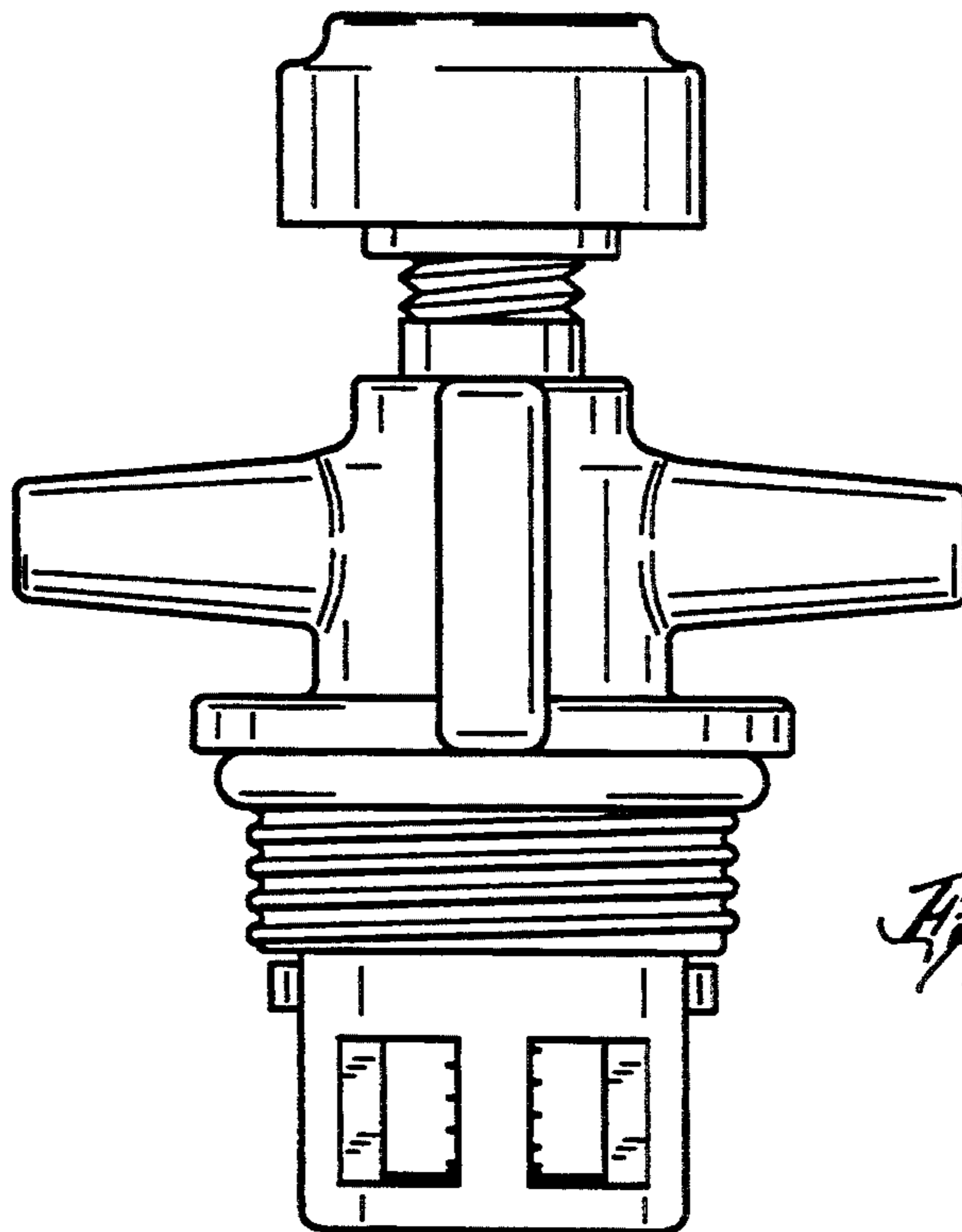
*Fig. 2*



*Fig. 3*



*Fig. 4*



*Fig. 5*